



US00D463143S

(12) **United States Design Patent**  
**Riddle**

(10) **Patent No.:** **US D463,143 S**

(45) **Date of Patent:** **\*\* Sep. 24, 2002**

(54) **MECHANIC'S CHAIR**

D428,713 S \* 8/2000 Arko et al. .... D6/336  
D433,854 S \* 11/2000 Diffrient ..... D6/502

(76) Inventor: **Wayne Riddle**, 1598 Oneida St.,  
Rathdrum, ID (US) 83858

\* cited by examiner

(\*\*) Term: **14 Years**

*Primary Examiner*—Doris V. Coles

*Assistant Examiner*—Mimosa De

(21) Appl. No.: **29/144,536**

(74) *Attorney, Agent, or Firm*—Keith S. Bergman

(22) Filed: **Jul. 6, 2001**

(57) **CLAIM**

(51) **LOC (7) Cl.** ..... **06-01**

The ornamental design for mechanic's chair, shown and described.

(52) **U.S. Cl.** ..... **D6/336; D6/340**

(58) **Field of Search** ..... D6/334, 335, 336,  
D6/340, 376, 364, 367, 500-502; D34/23;  
297/195.1

**DESCRIPTION**

(56) **References Cited**

FIG. 1 is a perspective view of a mechanic's chair showing my new design.

FIG. 2 is a top view thereof;

FIG. 3 is a bottom view thereof;

FIG. 4 is a left elevational view thereof;

FIG. 5 is a back view thereof;

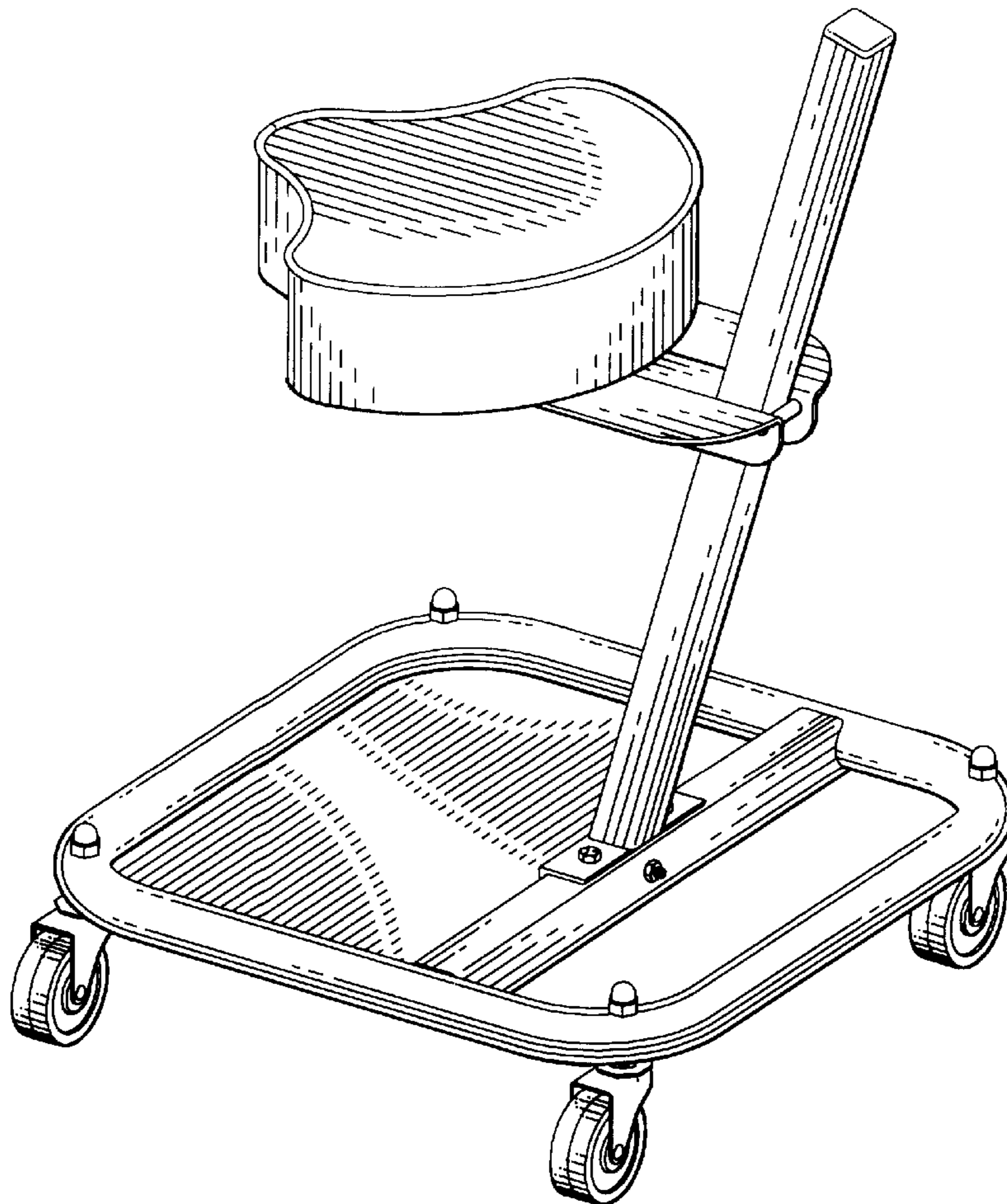
FIG. 6 is a right elevational view thereof; and,

FIG. 7 is a front view thereof.

**U.S. PATENT DOCUMENTS**

D298,674 S	*	11/1988	Koller, Sr.	.....	D34/23
D353,058 S	*	12/1994	Dallas	.....	D6/336
D365,935 S	*	1/1996	Dallas	.....	D6/336
D400,677 S	*	11/1998	Borner et al.	.....	D34/23
D410,128 S	*	5/1999	Dallas et al.	.....	D34/23

**1 Claim, 3 Drawing Sheets**



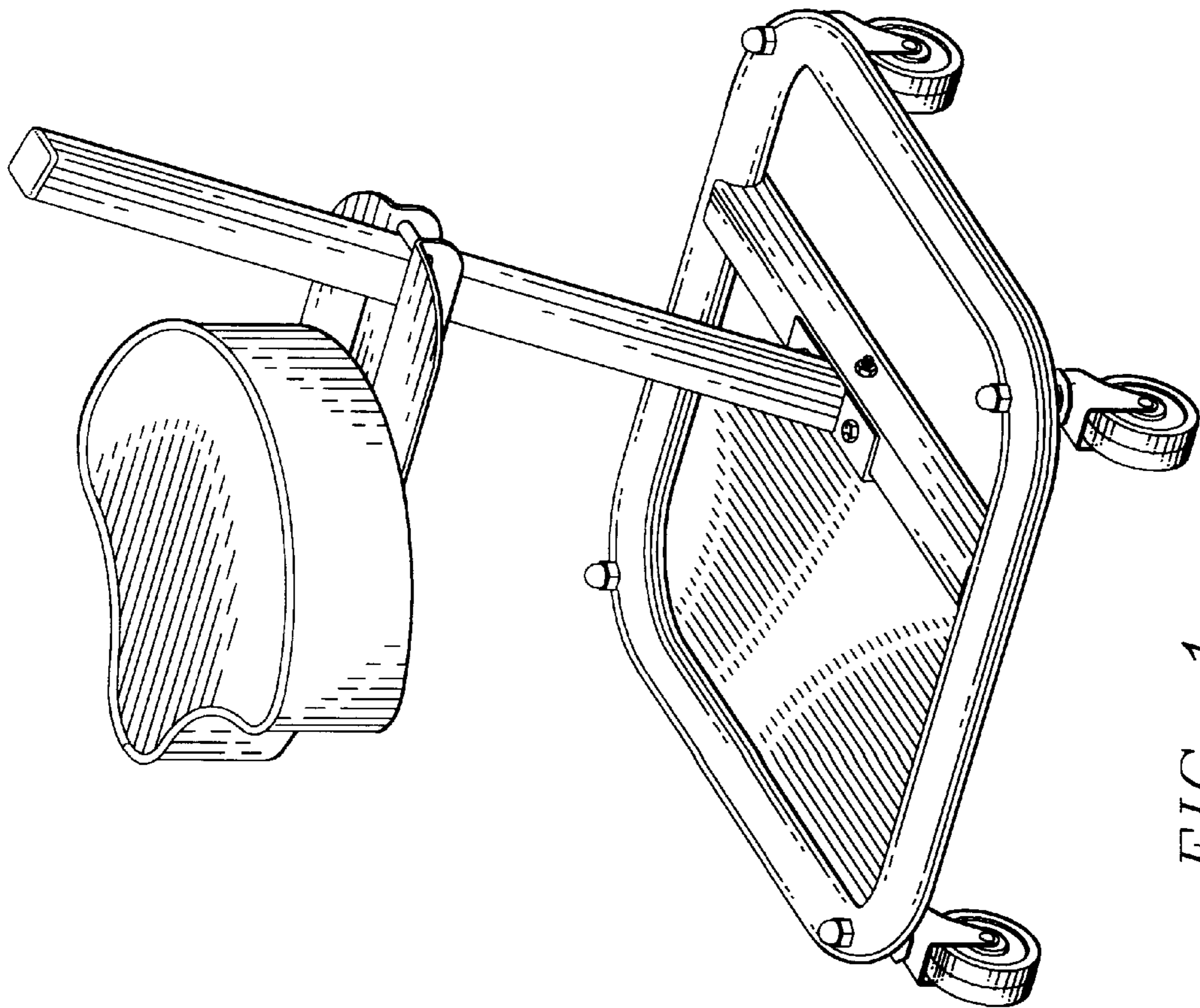


FIG. 1

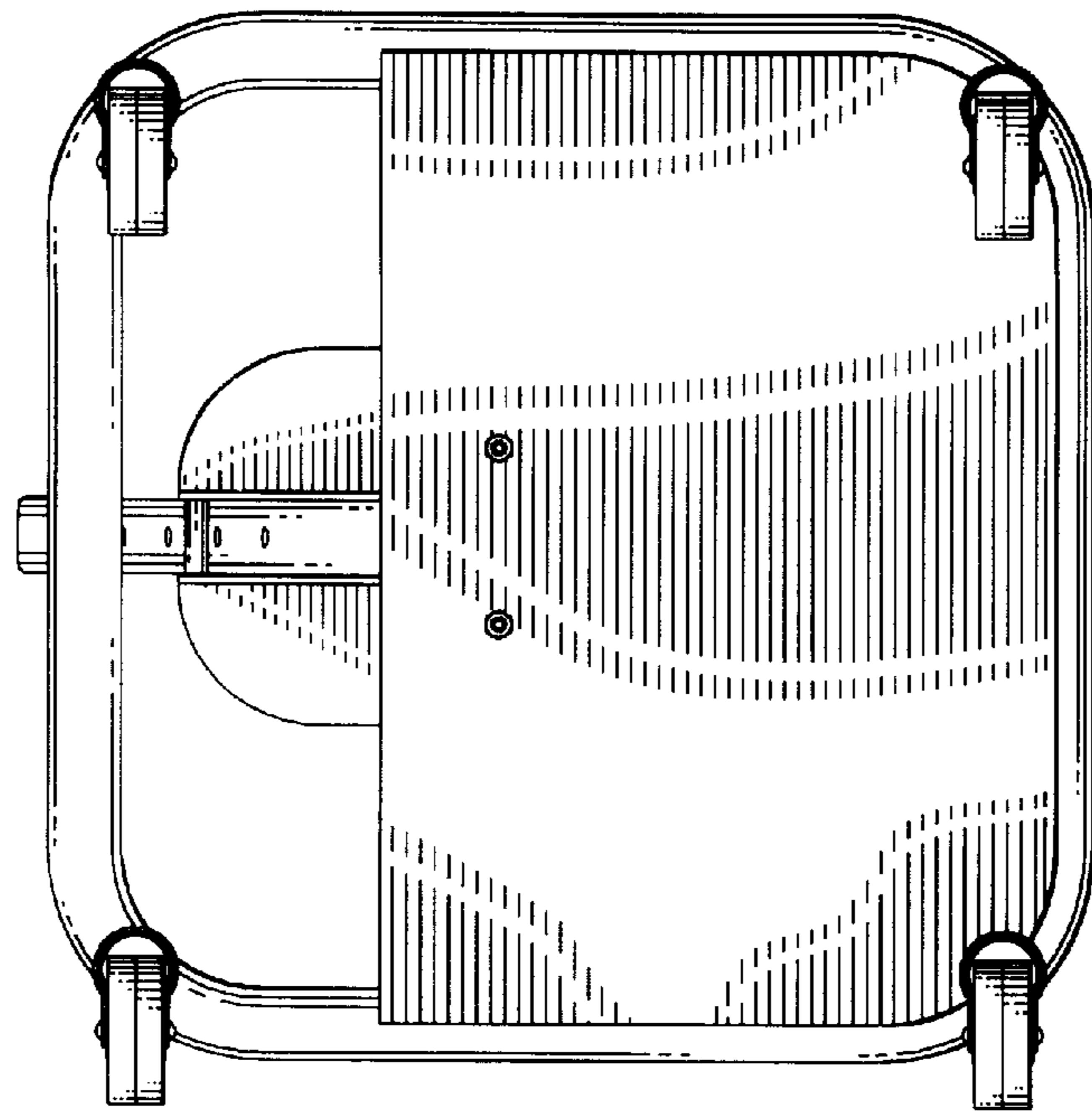


FIG. 3

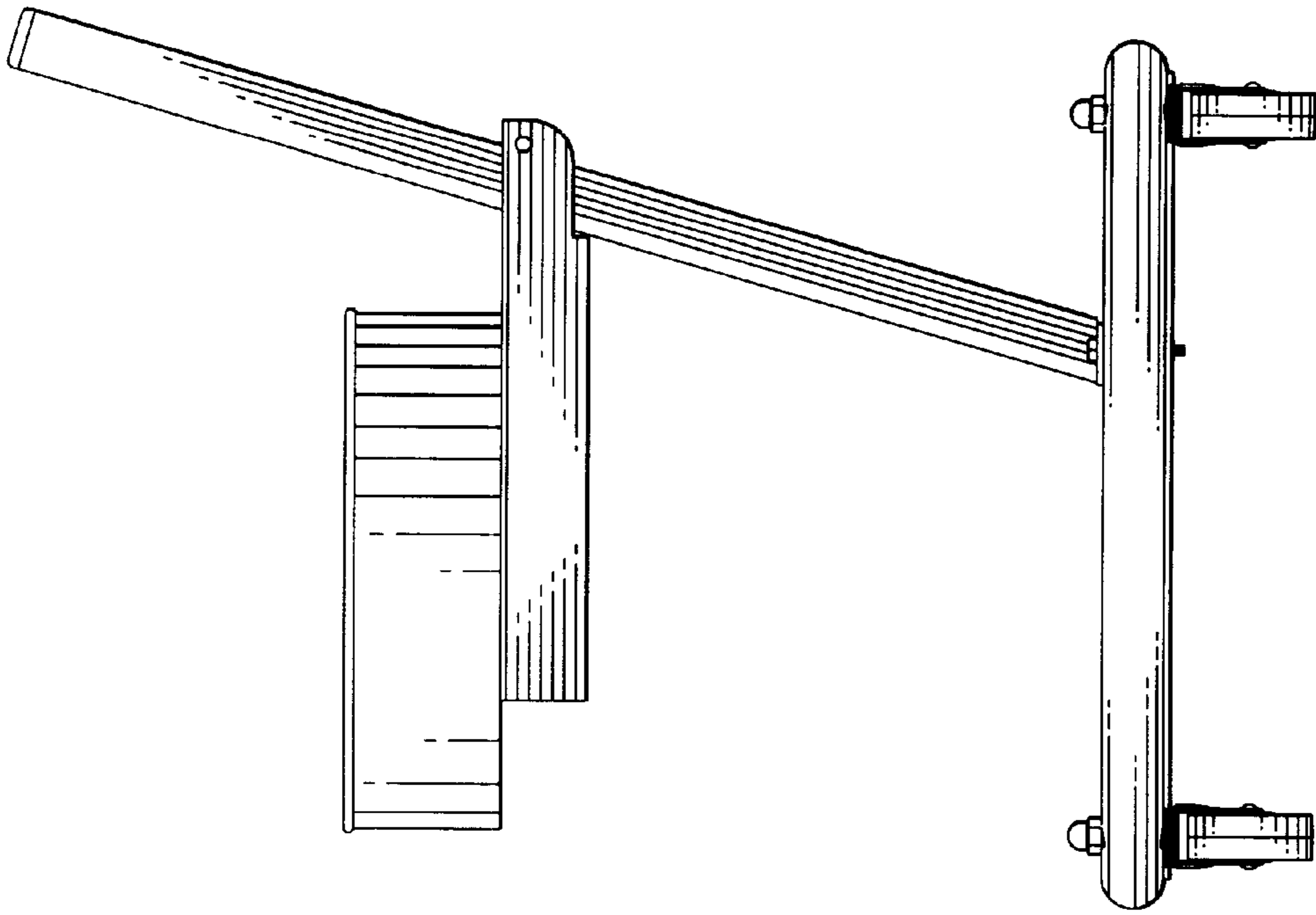


FIG. 4

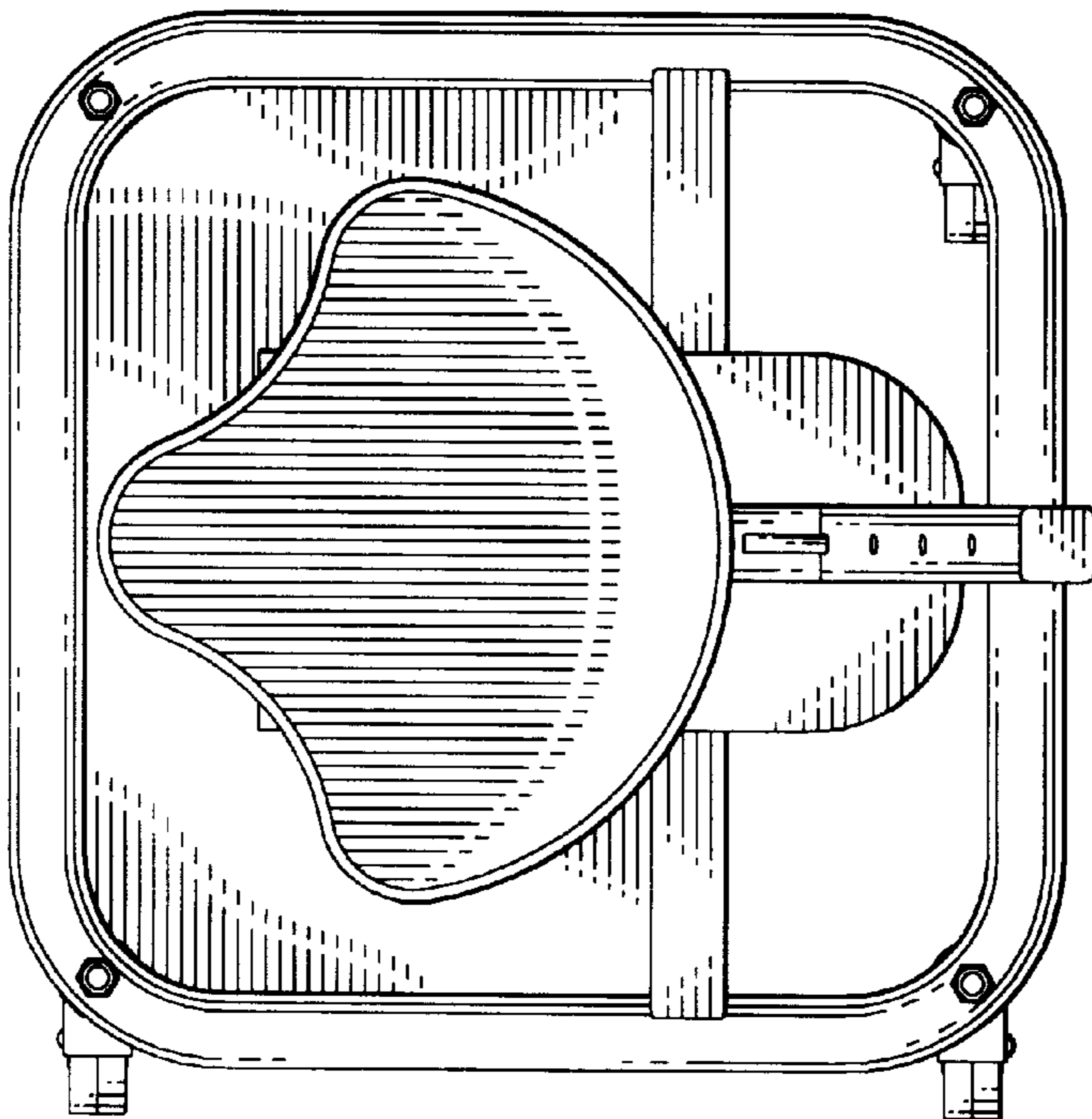


FIG. 2

