



US00D463141S

(12) **United States Design Patent**
Wade

(10) **Patent No.:** **US D463,141 S**

(45) **Date of Patent:** **** Sep. 24, 2002**

(54) **POCKET FRAME**

D398,657 S * 9/1998 Palmer et al. D20/42
D429,994 S * 8/2000 Ziegler D8/353

(76) Inventor: **Richard Wade**, 1571 Brewers Bridge Rd., Elberton, GA (US) 30635-4013

* cited by examiner

(**) Term: **14 Years**

Primary Examiner—Nelson C. Holtje

(74) *Attorney, Agent, or Firm*—A. Bordas; J. Sanchelima

(21) Appl. No.: **29/152,935**

(57) **CLAIM**

(22) Filed: **Nov. 9, 2001**

The ornamental design for the pocket frame, as shown and described.

(51) **LOC (7) Cl.** **06-07**

(52) **U.S. Cl.** **D6/310**

(58) **Field of Search** D6/300, 308, 310–311,
D6/314; 40/714, 716, 721–724, 734; 359/838;
D20/10, 42, 43

DESCRIPTION

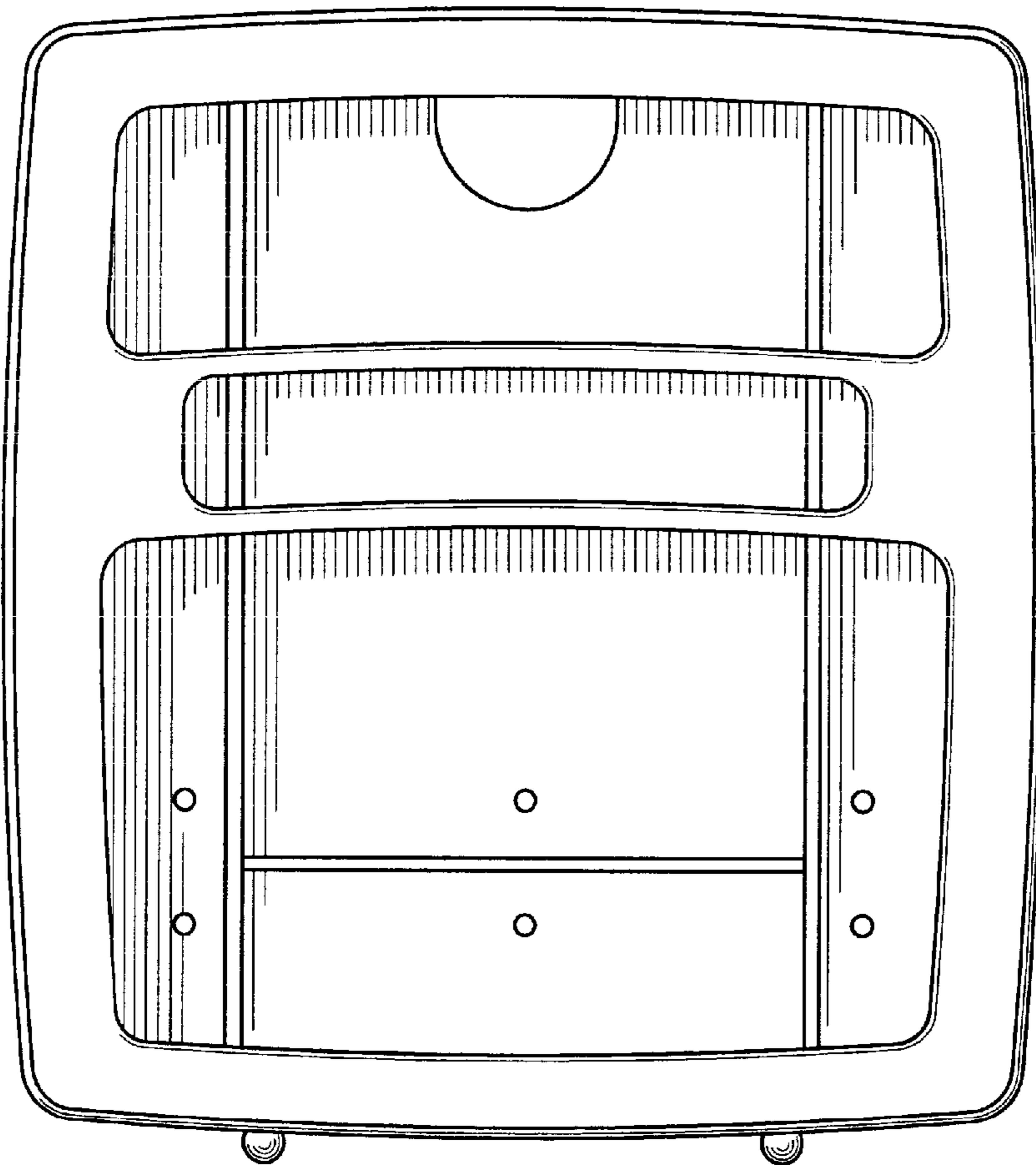
FIG. 1 is a front elevational view thereof;
FIG. 2 is a back view thereof;
FIG. 3 is a left side elevational view thereof;
FIG. 4 is a right side elevational view thereof;
FIG. 5 is a top plan view thereof; and,
FIG. 6 is a bottom plan view showing my design.

(56) **References Cited**

U.S. PATENT DOCUMENTS

D304,348 S * 10/1989 Dunn D20/10
D307,079 S * 4/1990 Robertson D6/302
D341,721 S * 11/1993 Wenkman et al. D6/300

1 Claim, 2 Drawing Sheets



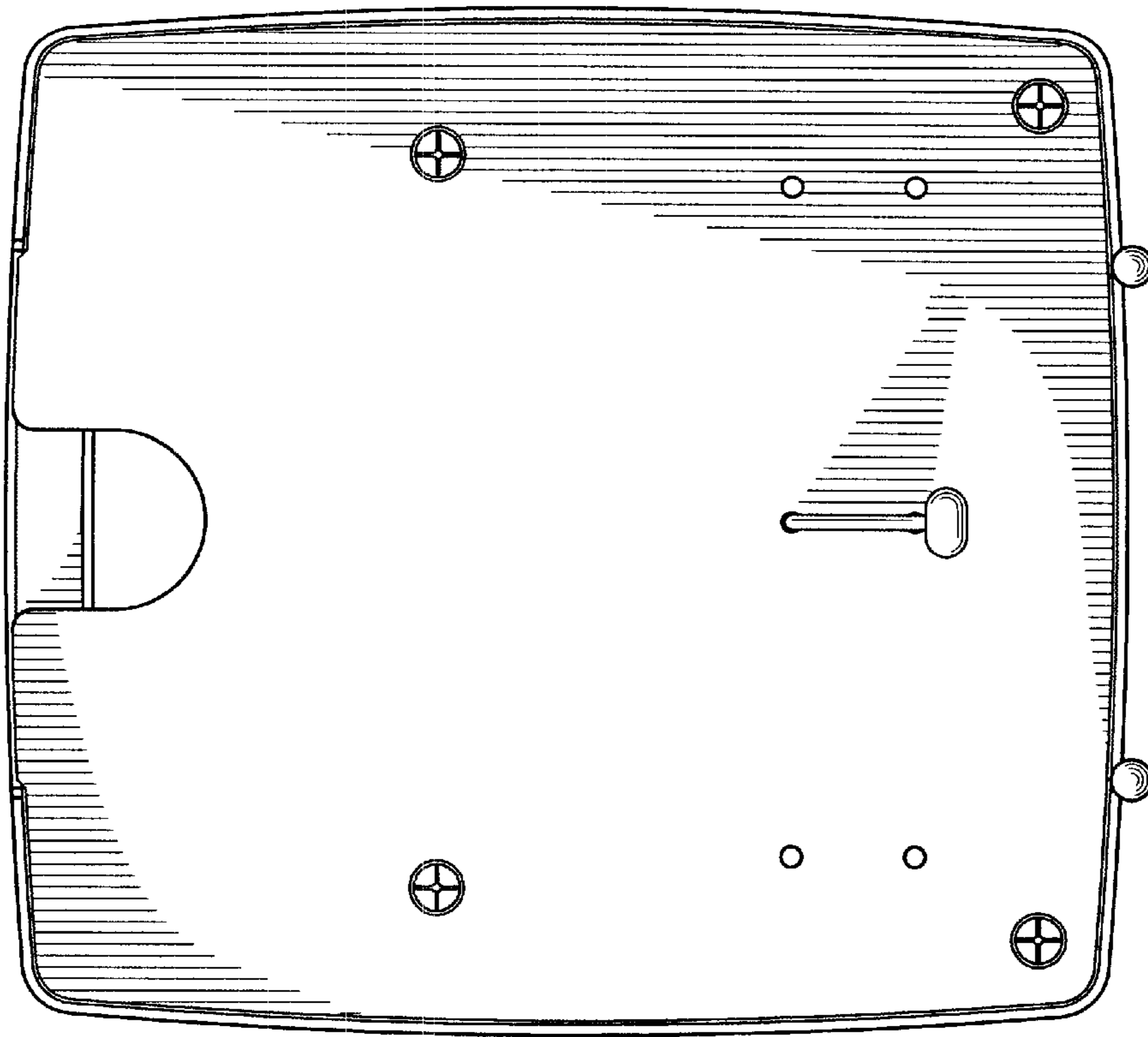


Fig. 2

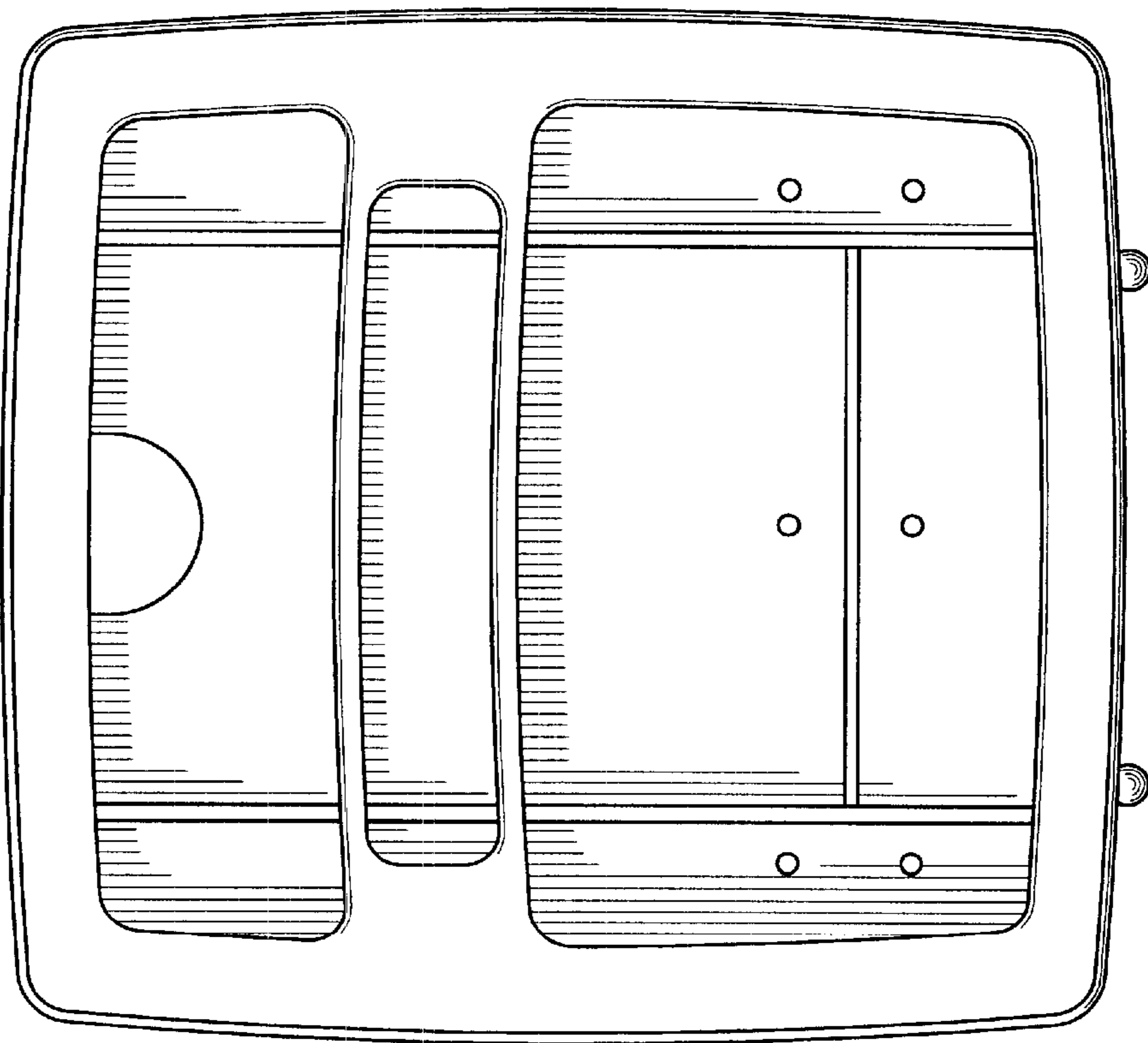


Fig. 1

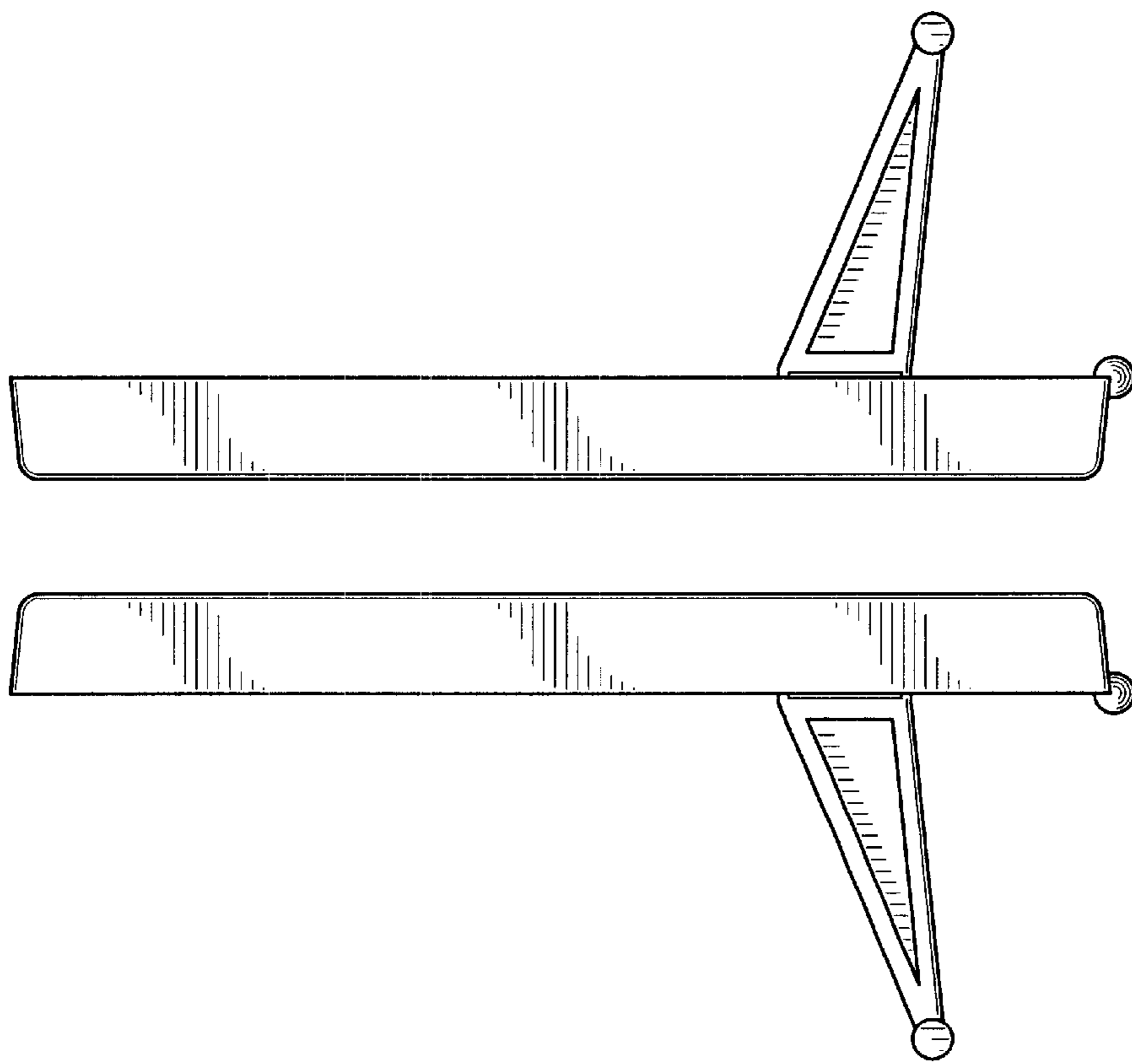


Fig. 3

Fig. 4

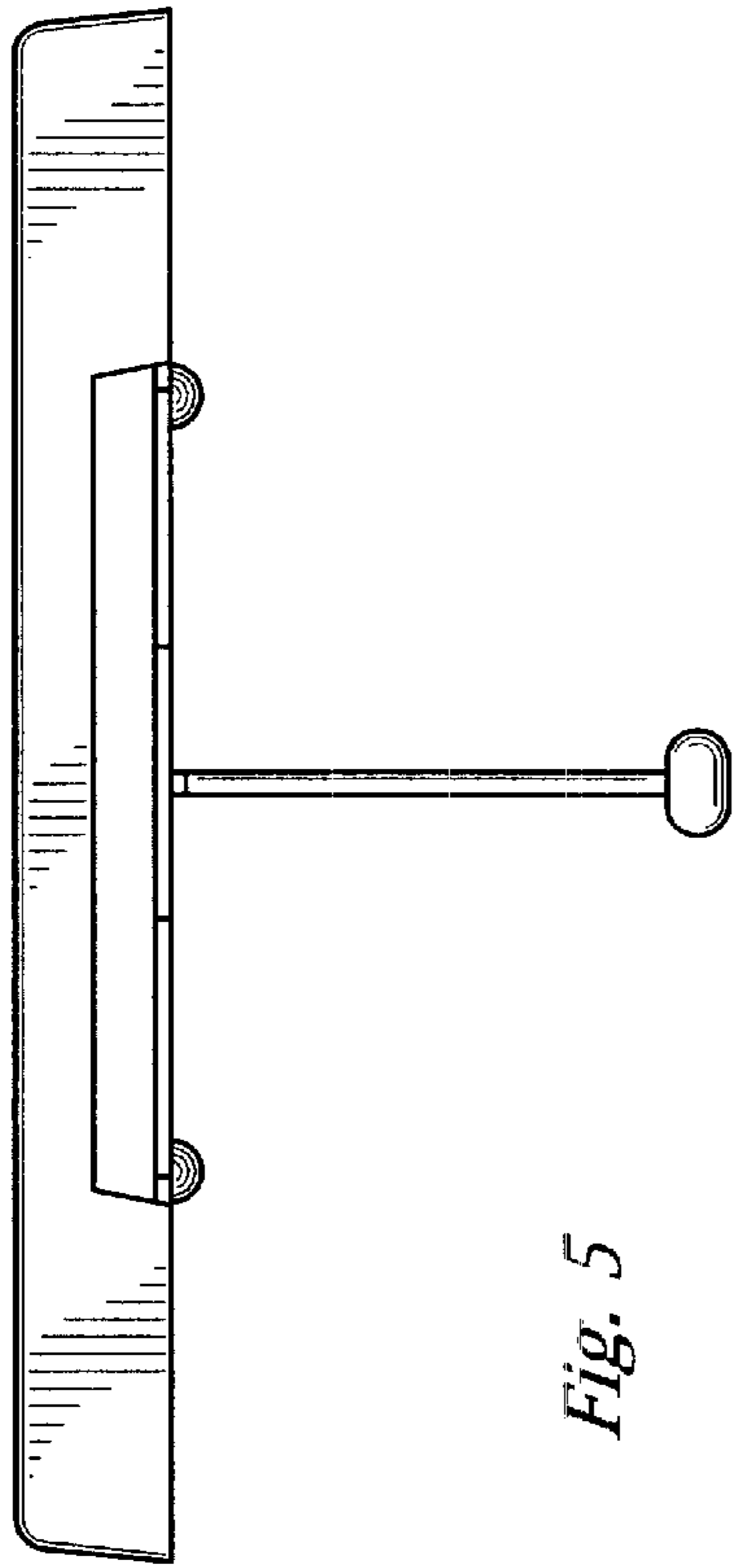


Fig. 5

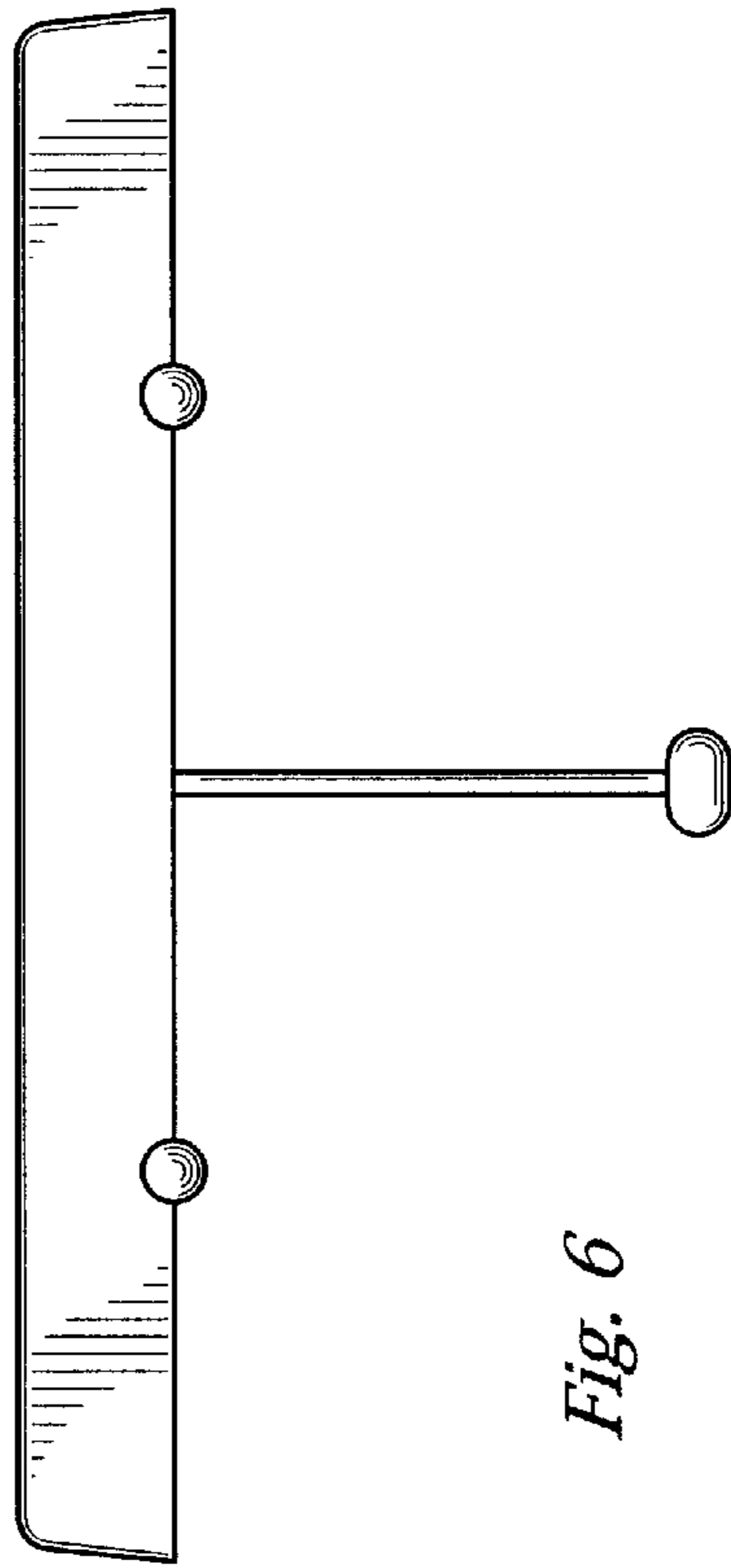


Fig. 6