



US00D463134S

(12) **United States Design Patent**
Vosbikian

(10) **Patent No.:** **US D463,134 S**

(45) **Date of Patent:** **** Sep. 24, 2002**

(54) **OFFSET HANDLE LINT ROLLER**

(75) Inventor: **Peter S. Vosbikian**, Moorestown, NJ (US)

(73) Assignee: **Quickie Manufacturing Corporation**, Cinnaminson, NJ (US)

(**) Term: **14 Years**

(21) Appl. No.: **29/154,480**

(22) Filed: **Jan. 18, 2002**

(51) **LOC (7) Cl.** **04-01**

(52) **U.S. Cl.** **D4/122**

(58) **Field of Search** D4/122, 128, 138;
15/104.001, 104.002, 164, 165, 211-213,
230, 230.11; 492/13, 17, 19

(56) **References Cited**

U.S. PATENT DOCUMENTS

X5,994 I1 * 5/1830 Aiken
D196,356 S * 9/1963 McKay D4/122
D202,612 S * 10/1965 Thomas, Jr. D4/122

3,343,194 A * 9/1967 Ramelson 15/104.002
3,886,621 A * 6/1975 Welsh 15/230.11
5,513,410 A * 5/1996 Liu 15/164 X
D449,451 S * 10/2001 Petner D4/138 X

* cited by examiner

Primary Examiner—Alan P. Douglas

Assistant Examiner—Lavone Tabor

(74) *Attorney, Agent, or Firm*—Stuart M. Goldstein

(57) **CLAIM**

The ornamental design for an offset handle lint roller, as shown and described.

DESCRIPTION

FIG. 1 is an elevation view of the design of the present invention.

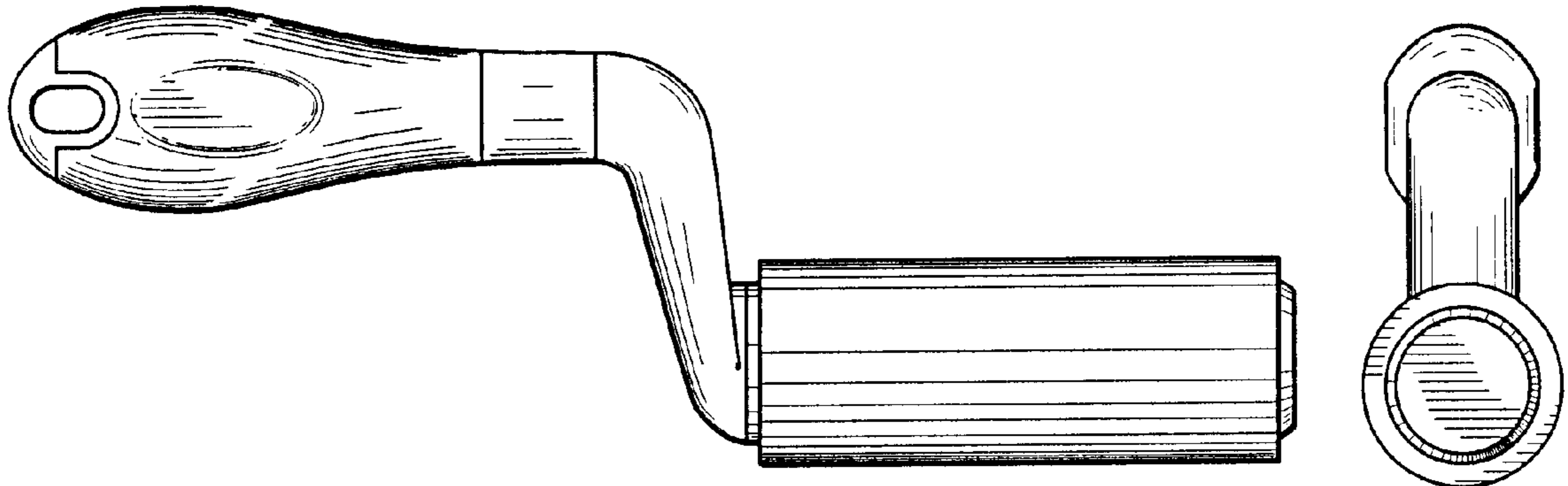
FIG. 2 is a side view of the design of the present invention.

FIG. 3 is the opposite side of that which is shown in FIG. 2.

FIG. 4 is the top view of the design of the present invention; and,

FIG. 5 is the bottom view of the design of the present invention.

1 Claim, 2 Drawing Sheets



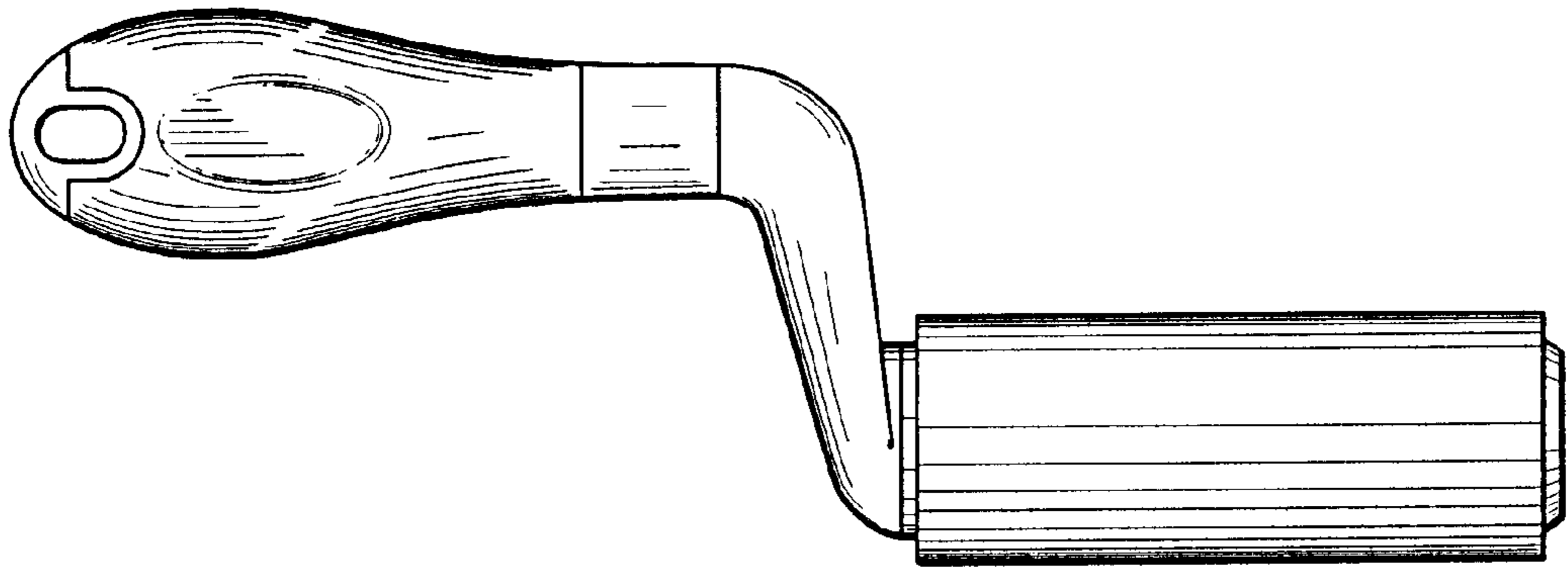


FIG. 1

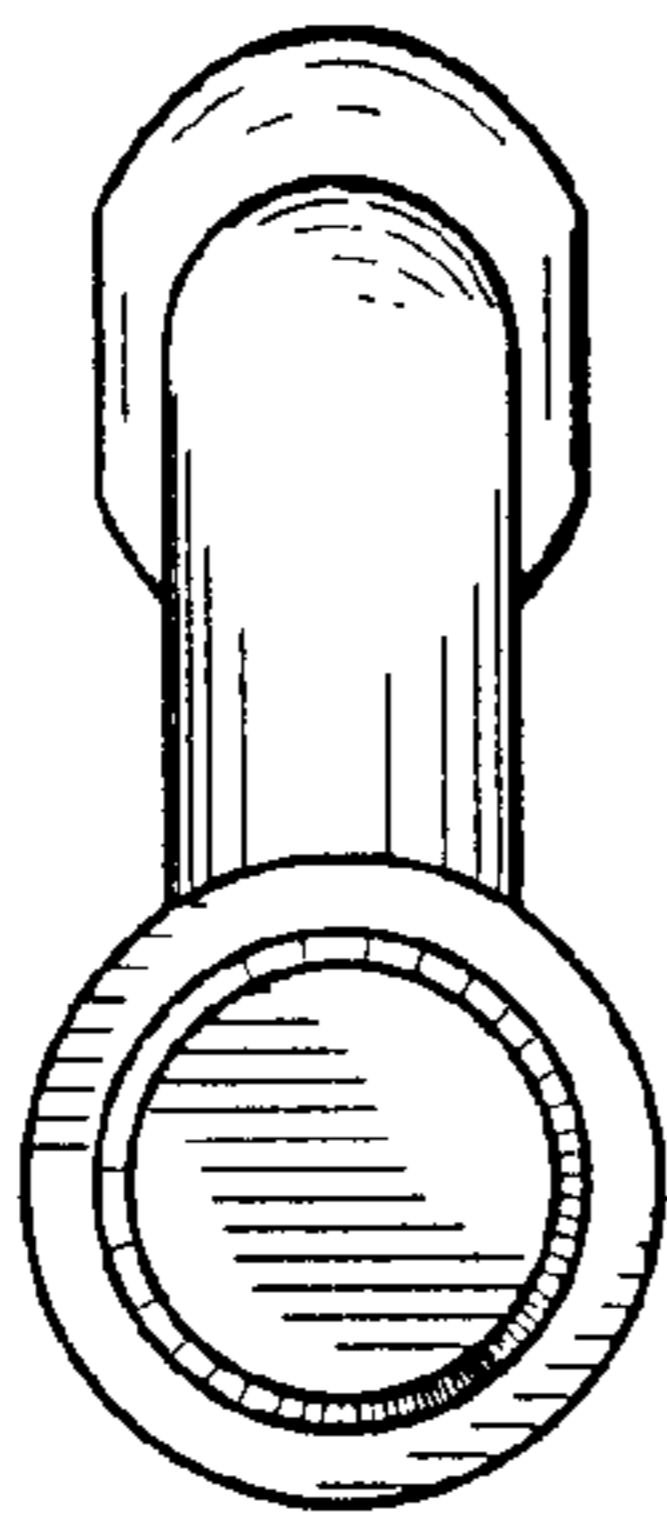


FIG. 2

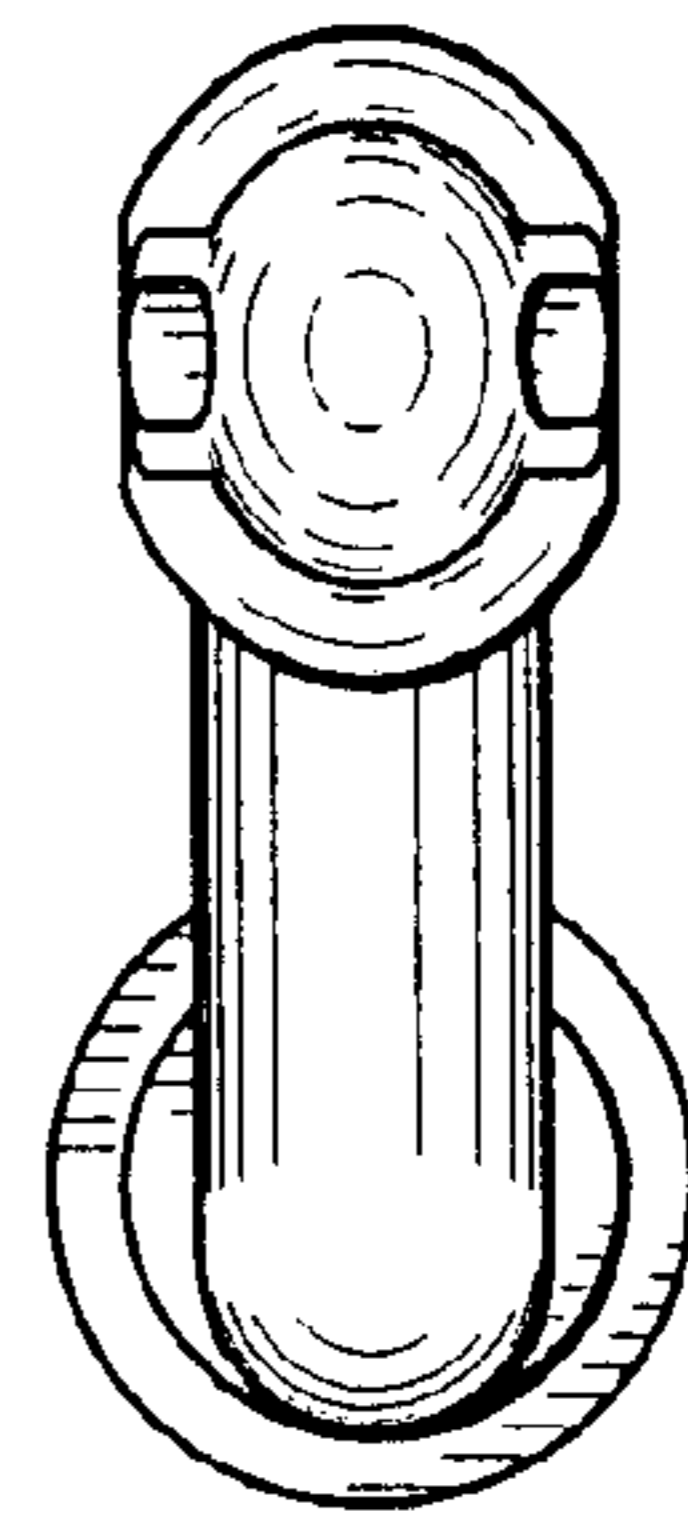


FIG. 3

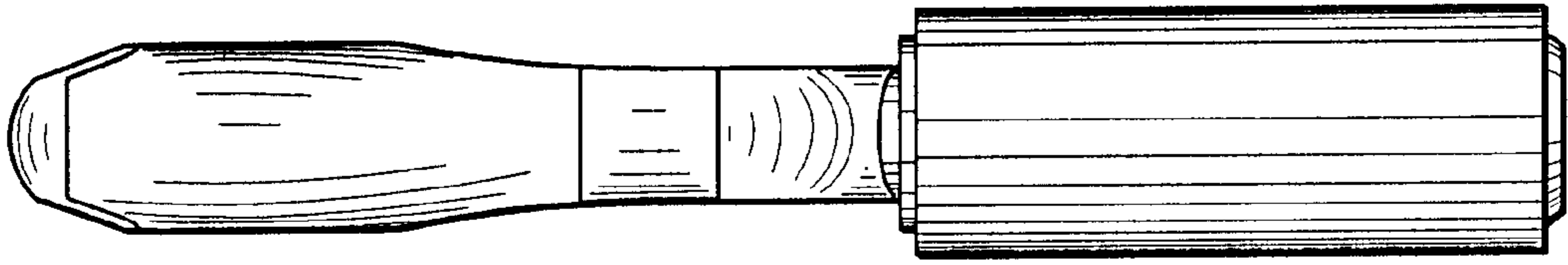


FIG. 4

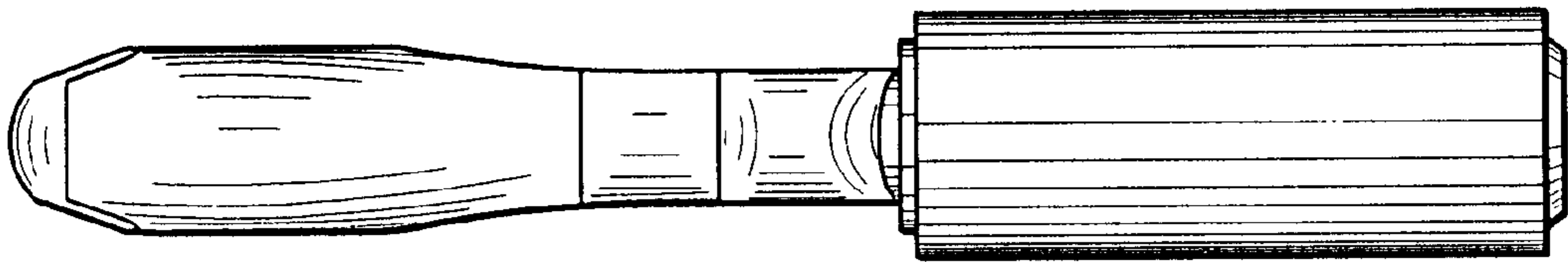


FIG. 5