



US00D463128S

(12) **United States Design Patent** (10) **Patent No.:** **US D463,128 S**
Berke et al. (45) **Date of Patent:** **** Sep. 24, 2002**

(54) **BAG CARRIER**

(75) Inventors: **Joseph J. Berke**, 3248 Interlaken, West Bloomfield, MI (US) 48323; **Charles T. Michael**, Troy, MI (US)

(73) Assignee: **Joseph J. Berke**, West Bloomfield, MI (US)

(**) Term: **14 Years**

(21) Appl. No.: **29/147,917**

(22) Filed: **Sep. 10, 2001**

(51) **LOC (7) Cl.** **03-99**

(52) **U.S. Cl.** **D3/328**

(58) **Field of Search** D3/328, 318, 276, D3/278, 281, 282; D9/434, 455; D8/300; 190/115-118, 100; 294/137, 153, 158, 170, 171; 16/110 R; 223/85, 88; 248/340, 339, 317

(56) **References Cited**

U.S. PATENT DOCUMENTS

D156,928 S	*	1/1950	Wooden	D3/328
5,107,996 A	*	4/1992	Whittaker	248/340
D361,934 S	*	9/1995	Croteau	D9/434
5,507,542 A	*	4/1996	Eden	294/170
5,836,486 A	*	11/1998	Ohsugi	223/85
5,878,853 A	*	3/1999	DeRouen et al.	190/116
5,992,803 A	*	11/1999	LeRoux	294/170
D424,302 S	*	5/2000	Price, Jr.	D3/320
D441,653 S	*	5/2001	LeRoux	D9/434

* cited by examiner

Primary Examiner—Prabhakar Deshmukh
(74) *Attorney, Agent, or Firm*—Alex Rhodes

(57) **CLAIM**

The ornamental design for a bag carrier, as shown and described.

DESCRIPTION

FIG. 1 is a plan view of a bag carrier in a locked condition, showing our new design;

FIG. 2 is a front elevational view of the bag carrier in the locked condition;

FIG. 3 is a left side elevational view of the bag carrier in the locked condition;

FIG. 4 is a right side elevational view of the bag carrier in the locked condition;

FIG. 5 is a rear side elevational view of the bag carrier in the locked condition;

FIG. 6 is a bottom view of the bag carrier in a locked condition;

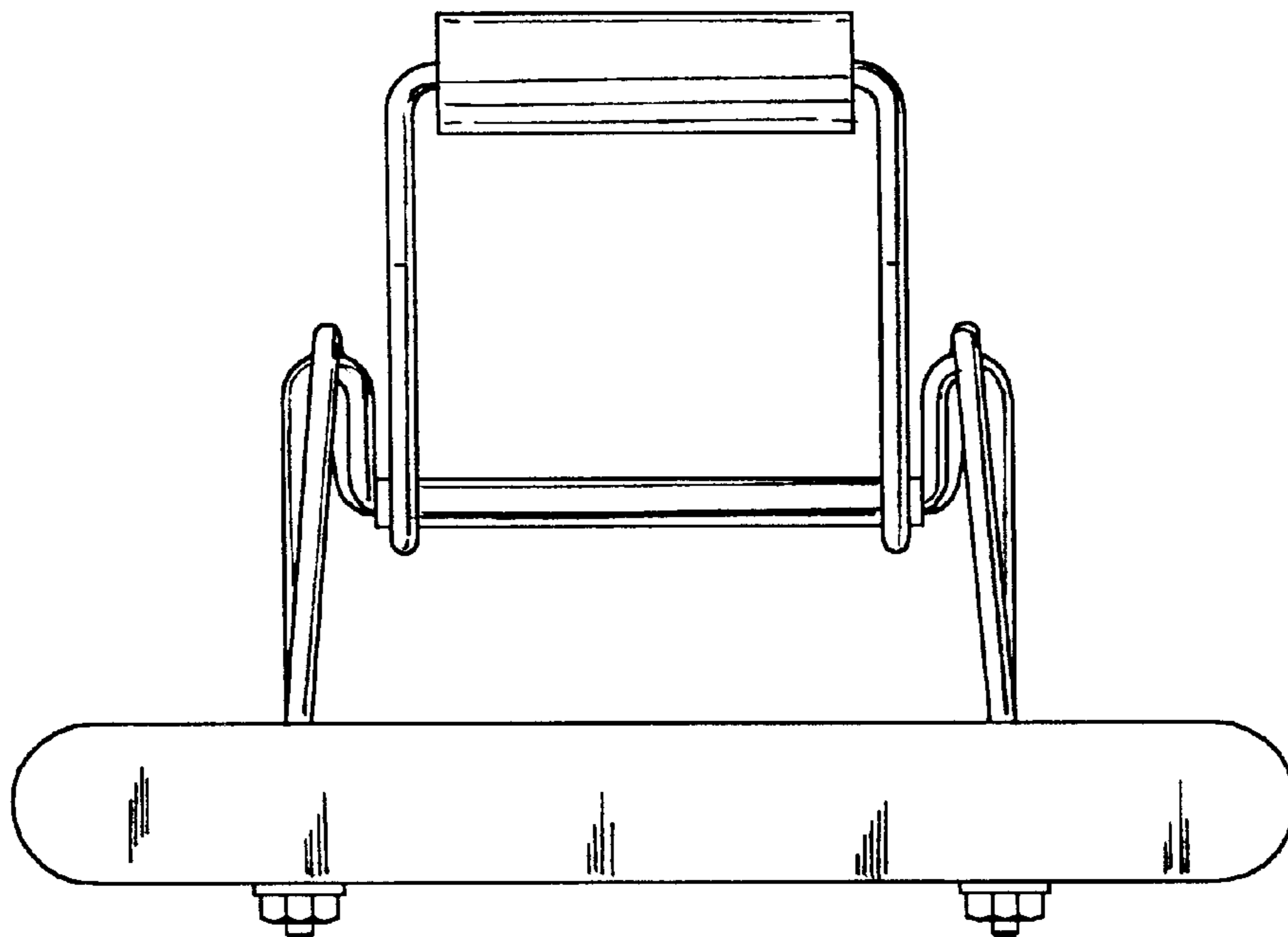
FIG. 7 is a right side elevational view of the bag carrier in an unlocked condition;

FIG. 8 is a front elevational view of the bag carrier with a bag shown in phantom; and,

FIG. 9 is a right side elevational view of the bag carrier with a bag shown in phantom.

FIGS. 5-9 are drawn in smaller scale. The broken line showing of a bag is for illustrative purpose and forms no part of the claimed design.

1 Claim, 2 Drawing Sheets



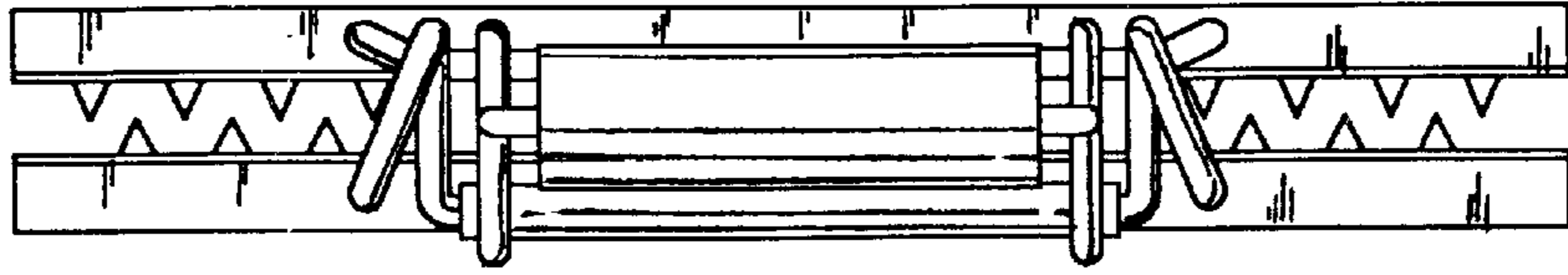


FIG. 1

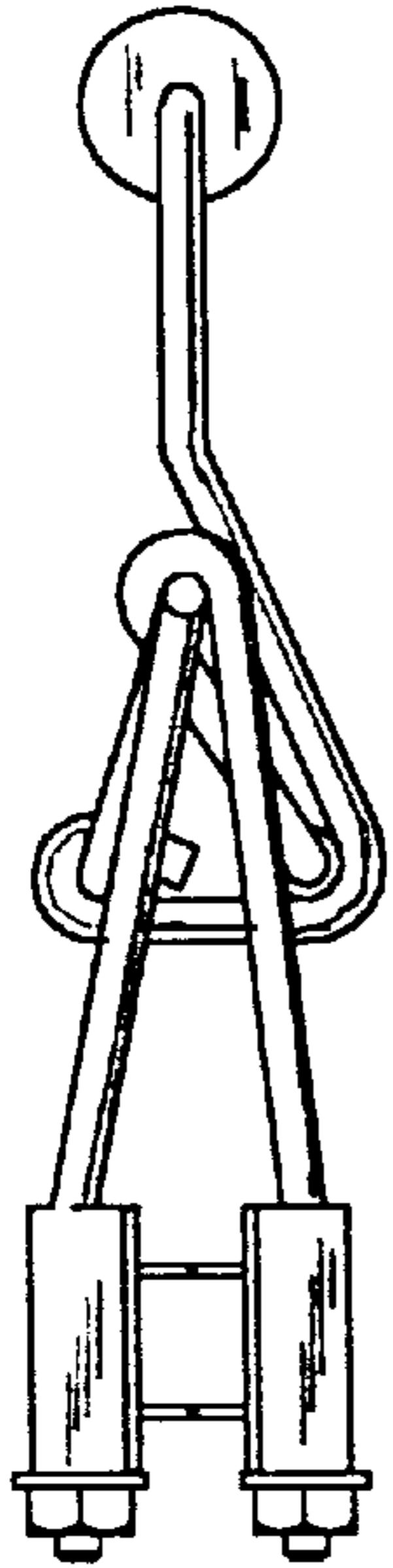


FIG. 4

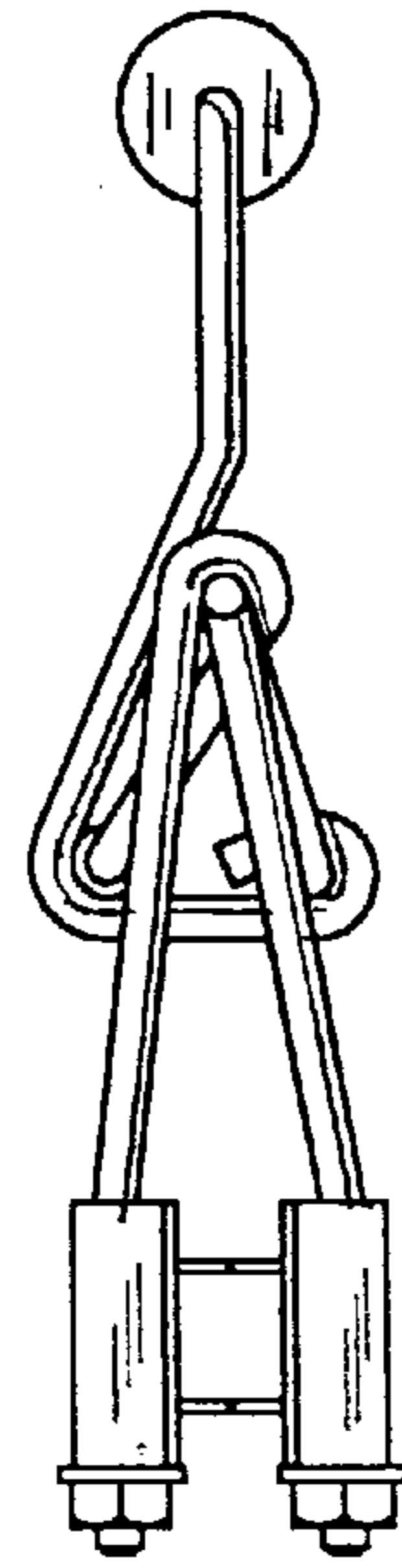


FIG. 3

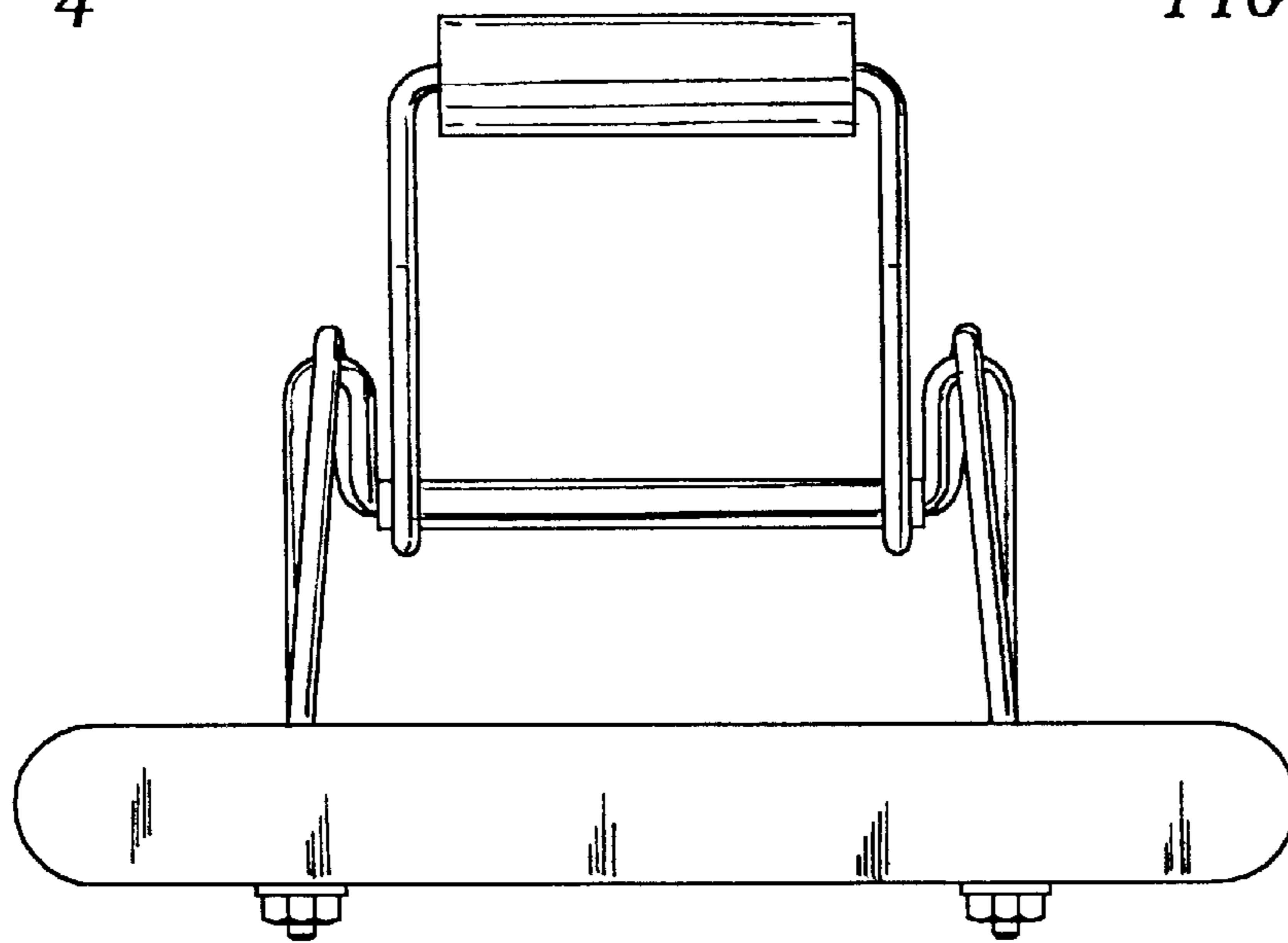


FIG. 2

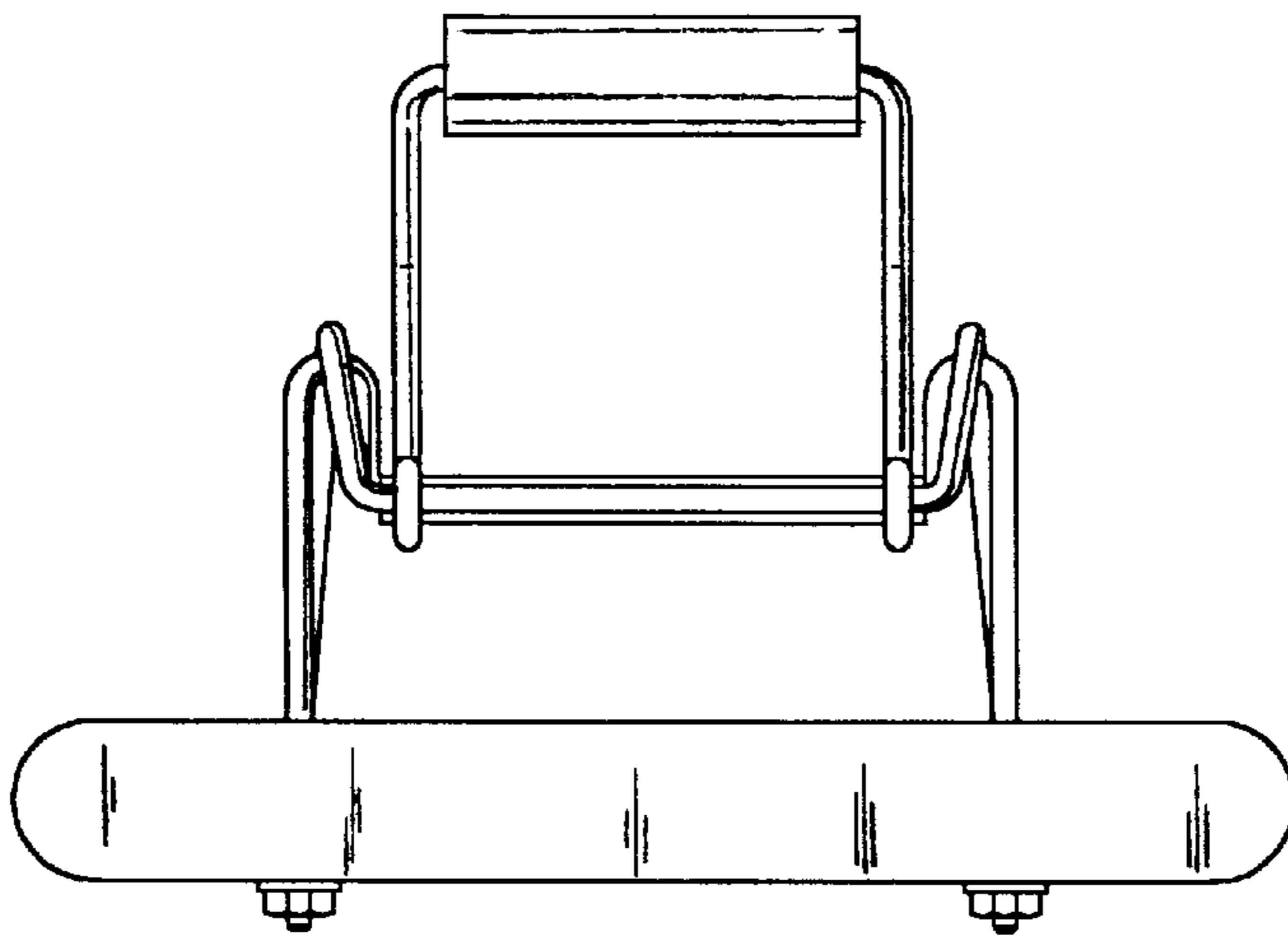


FIG. 5

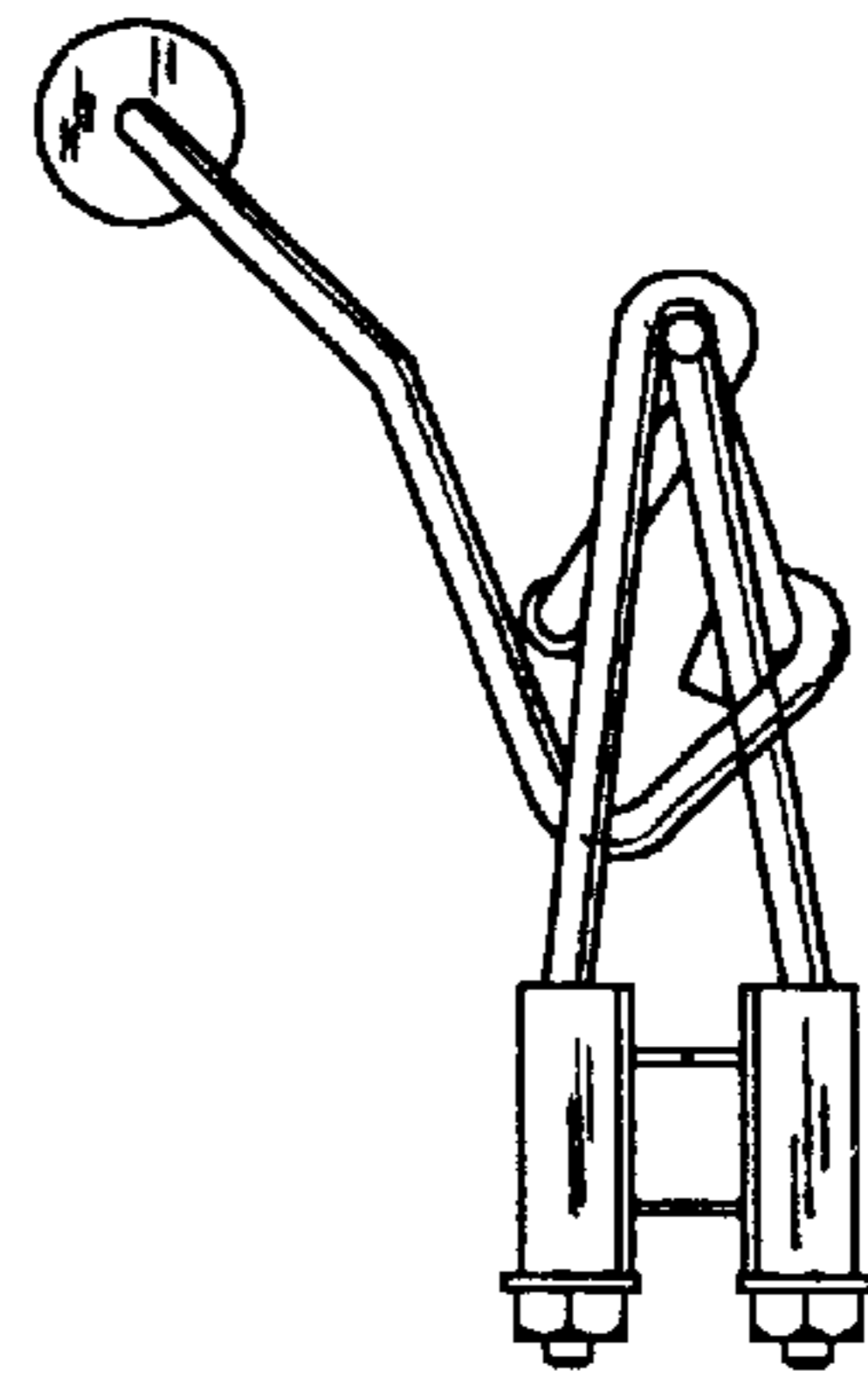


FIG. 7

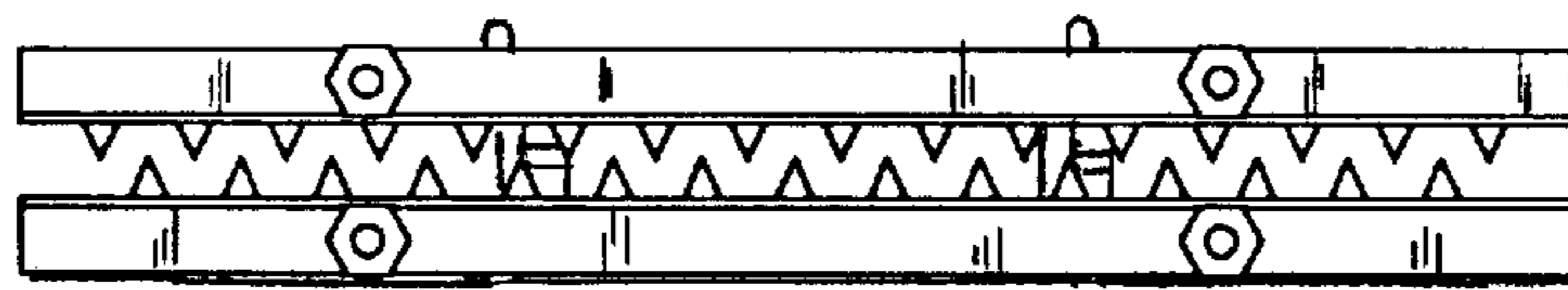


FIG. 6

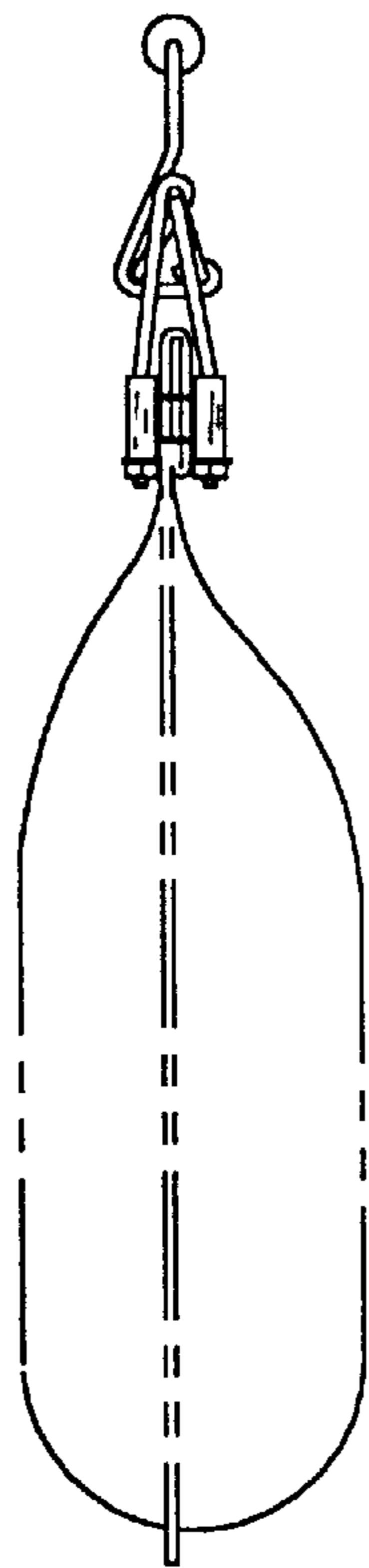


FIG. 9

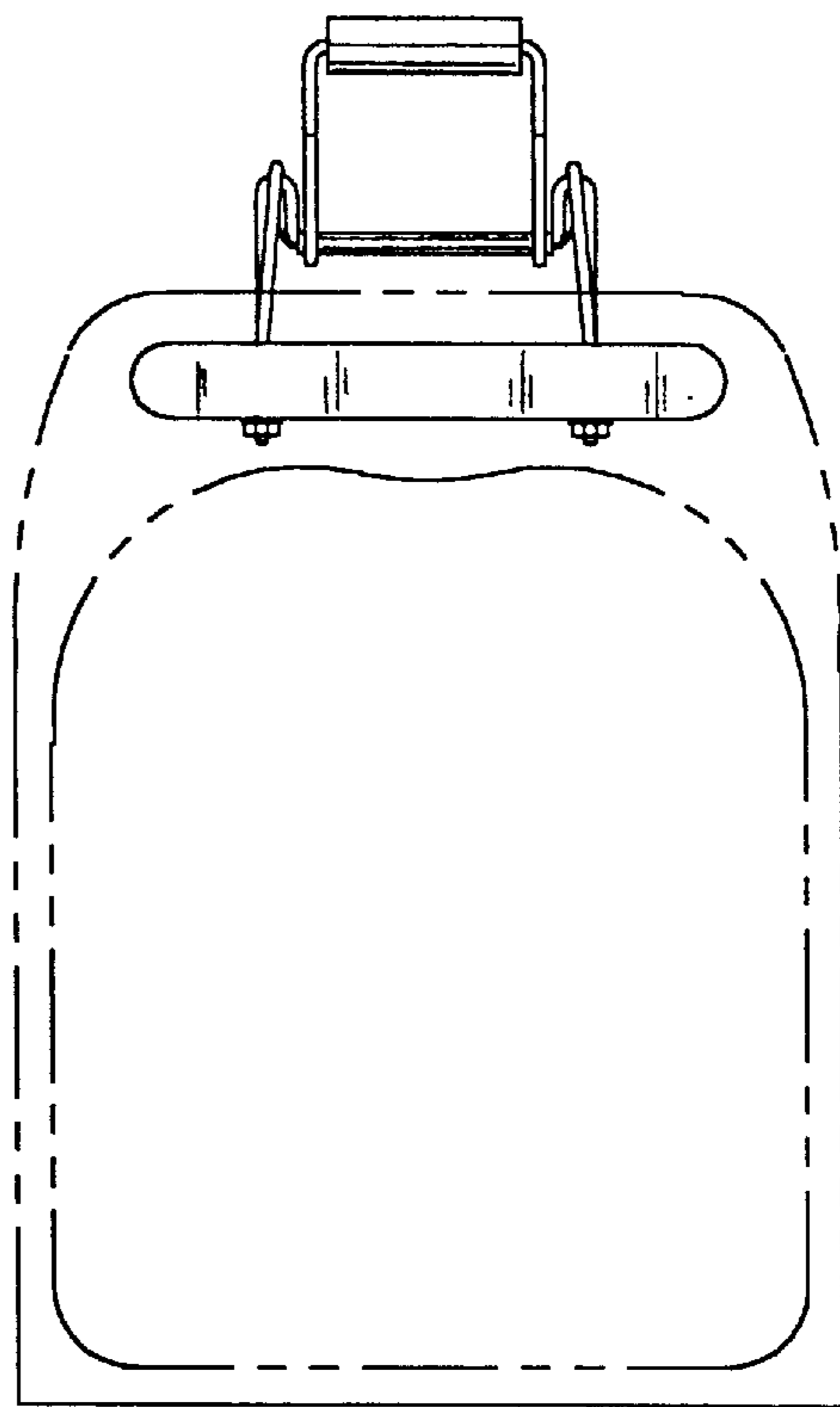


FIG. 8