



US00D463125S

(12) **United States Design Patent**  
**Cheng**

(10) **Patent No.:** **US D463,125 S**

(45) **Date of Patent:** **\*\* Sep. 24, 2002**

(54) **LUGGAGE**

(76) Inventor: **Calvin Cheng**, 59 Praire Falcon, Aliso Viejo, CA (US) 92656

(\*\*) Term: **14 Years**

(21) Appl. No.: **29/137,836**

(22) Filed: **Feb. 28, 2001**

**Related U.S. Application Data**

(62) Division of application No. 29/115,177, filed on Dec. 9, 1999, now Pat. No. Des. 439,044.

(51) **LOC (7) Cl.** ..... **03-01**

(52) **U.S. Cl.** ..... **D3/321; D3/322**

(58) **Field of Search** ..... D3/318, 321, 322,  
D3/273, 276, 900; 190/100, 110, 109, 111,  
112, 113, 114

(56) **References Cited**

**U.S. PATENT DOCUMENTS**

- D287,429 S \* 12/1986 Esslinger ..... D3/292
- D298,486 S \* 11/1988 Jain ..... D3/292
- D311,276 S \* 10/1990 Workman ..... D3/322

- D311,819 S \* 11/1990 Takeuchi ..... D3/292
- D320,695 S \* 10/1991 Shim ..... D3/292
- D325,819 S \* 5/1992 Lee ..... D3/900
- D329,134 S \* 9/1992 Tokuda et al. .... D3/900
- D331,663 S \* 12/1992 Roncato ..... D3/292
- D413,727 S \* 9/1999 Sijmons ..... D3/273
- D418,677 S \* 1/2000 Sijmons ..... D3/273

\* cited by examiner

*Primary Examiner*—Philip S. Hyder

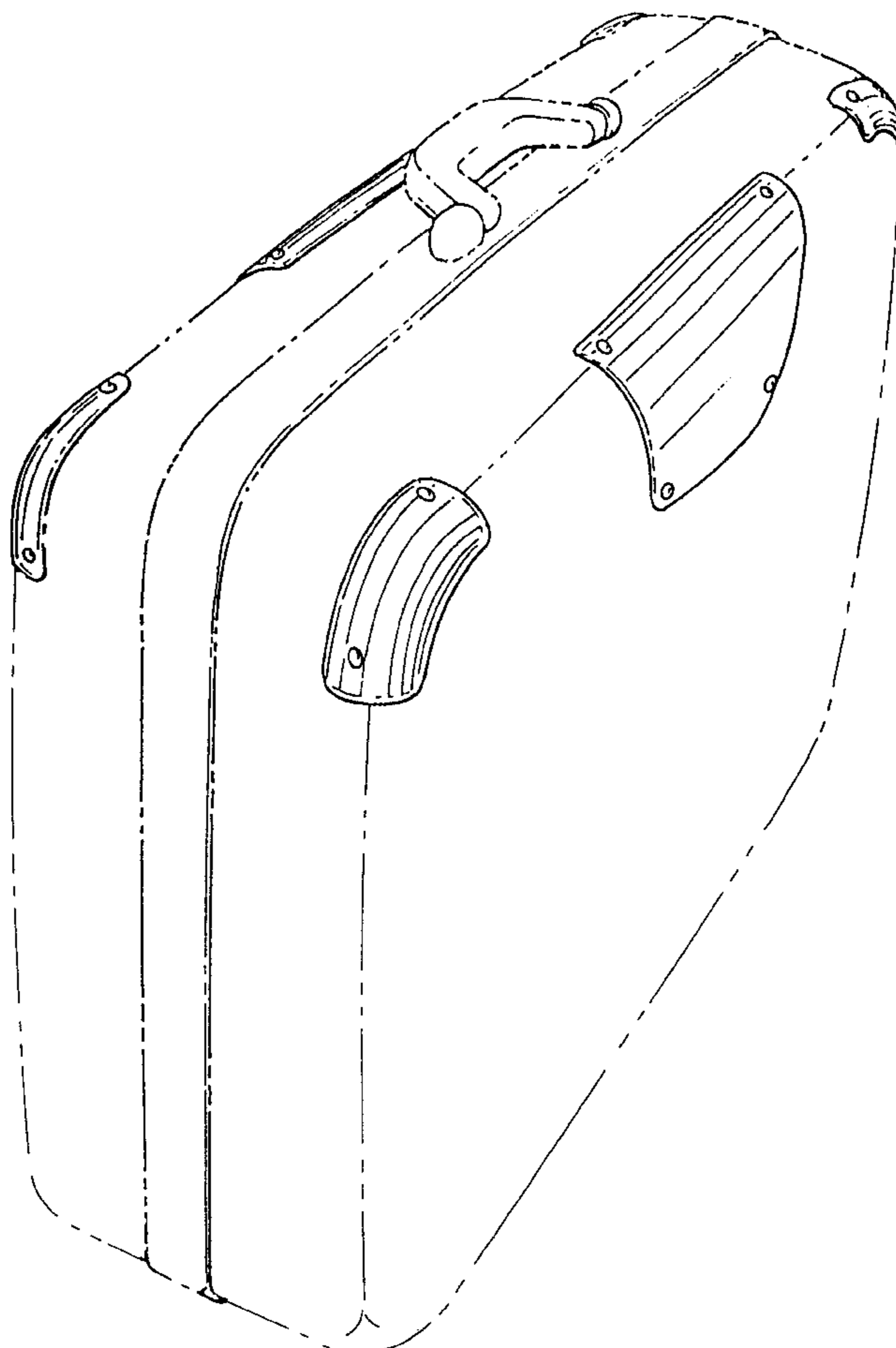
(57) **CLAIM**

The ornamental design for a luggage, as shown and described.

**DESCRIPTION**

FIG. 1 is a perspective view of a luggage, showing my new design;  
 FIG. 2 is a top plan view thereof;  
 FIG. 3 is a front elevational view thereof, wherein the rear view is a mirror image; and,  
 FIG. 4 is a right side elevational view thereof.  
 The broken line portions of the disclosure are for illustrative purposes only and form no part of the claimed design.

**1 Claim, 2 Drawing Sheets**



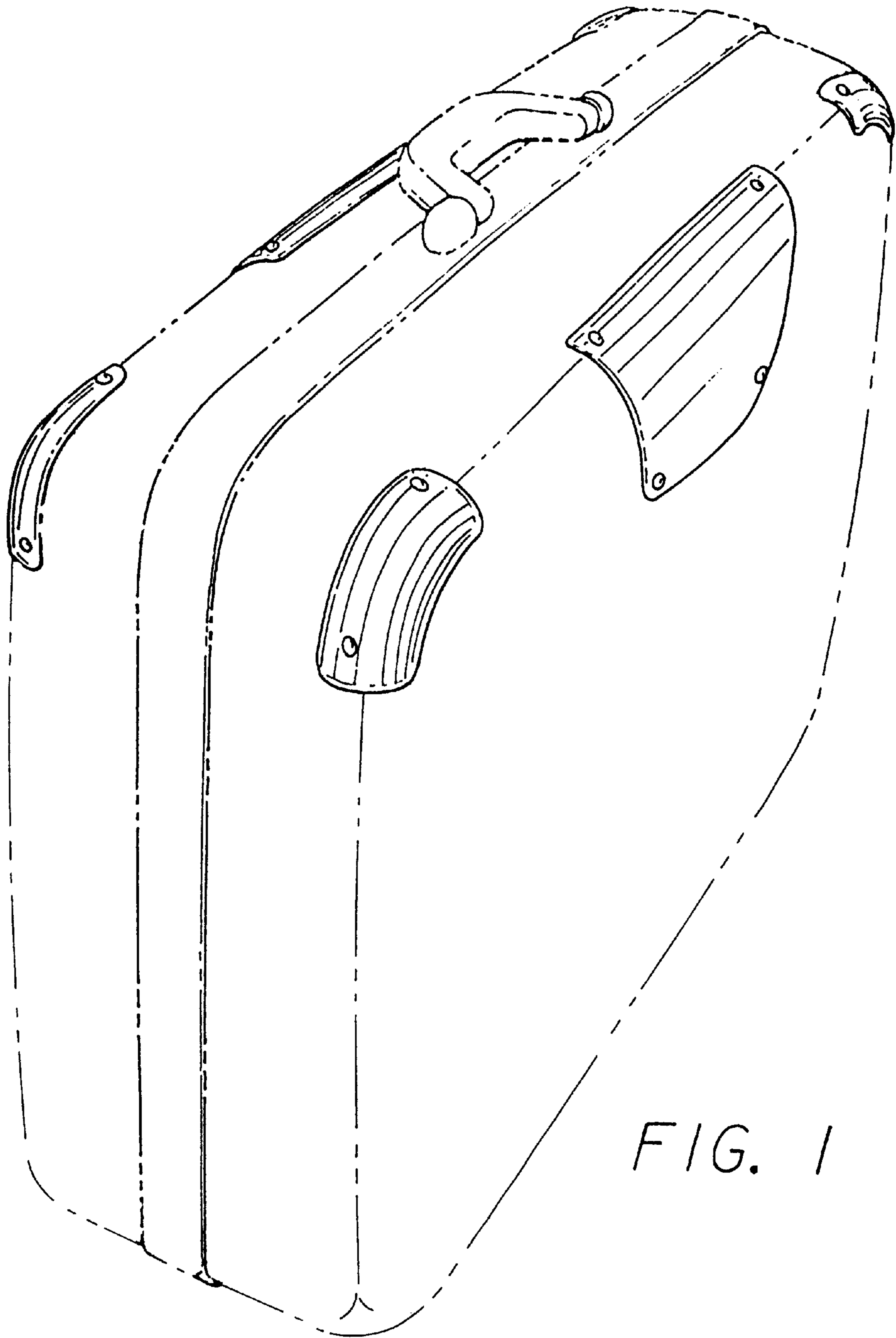


FIG. 1

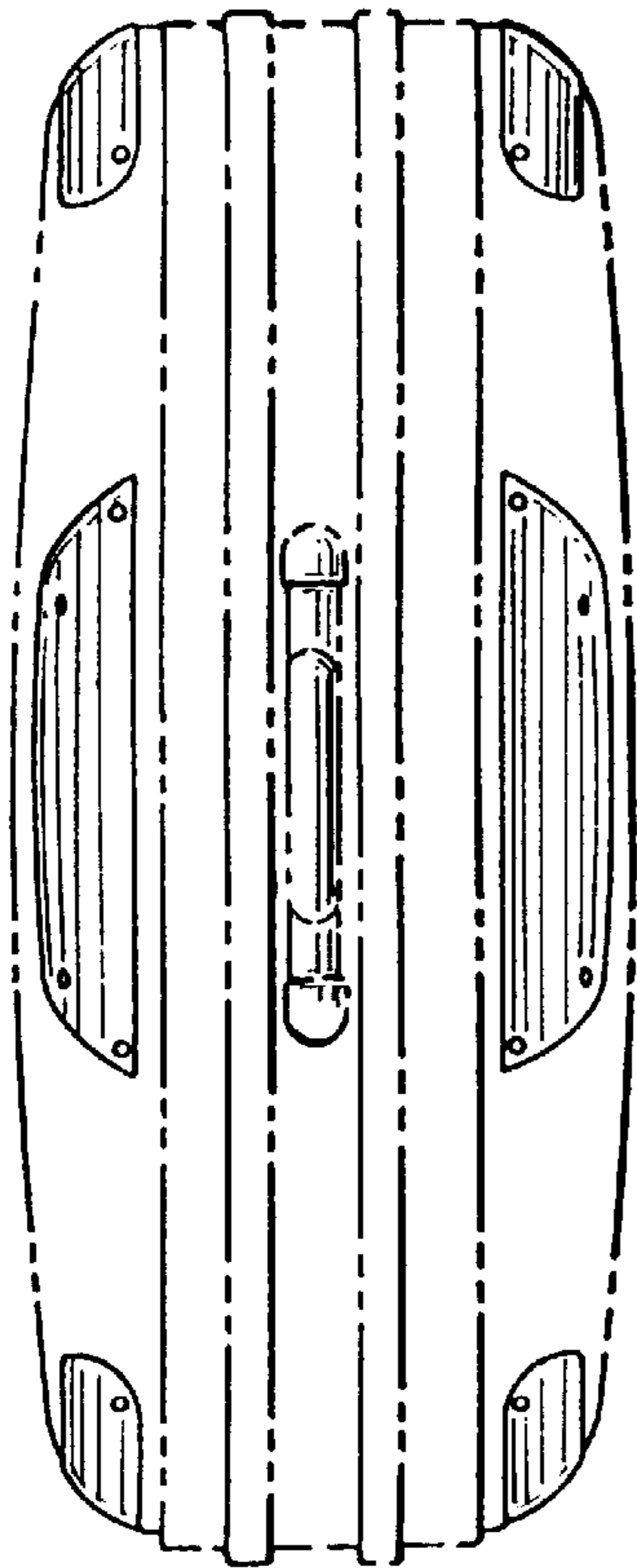


FIG. 2

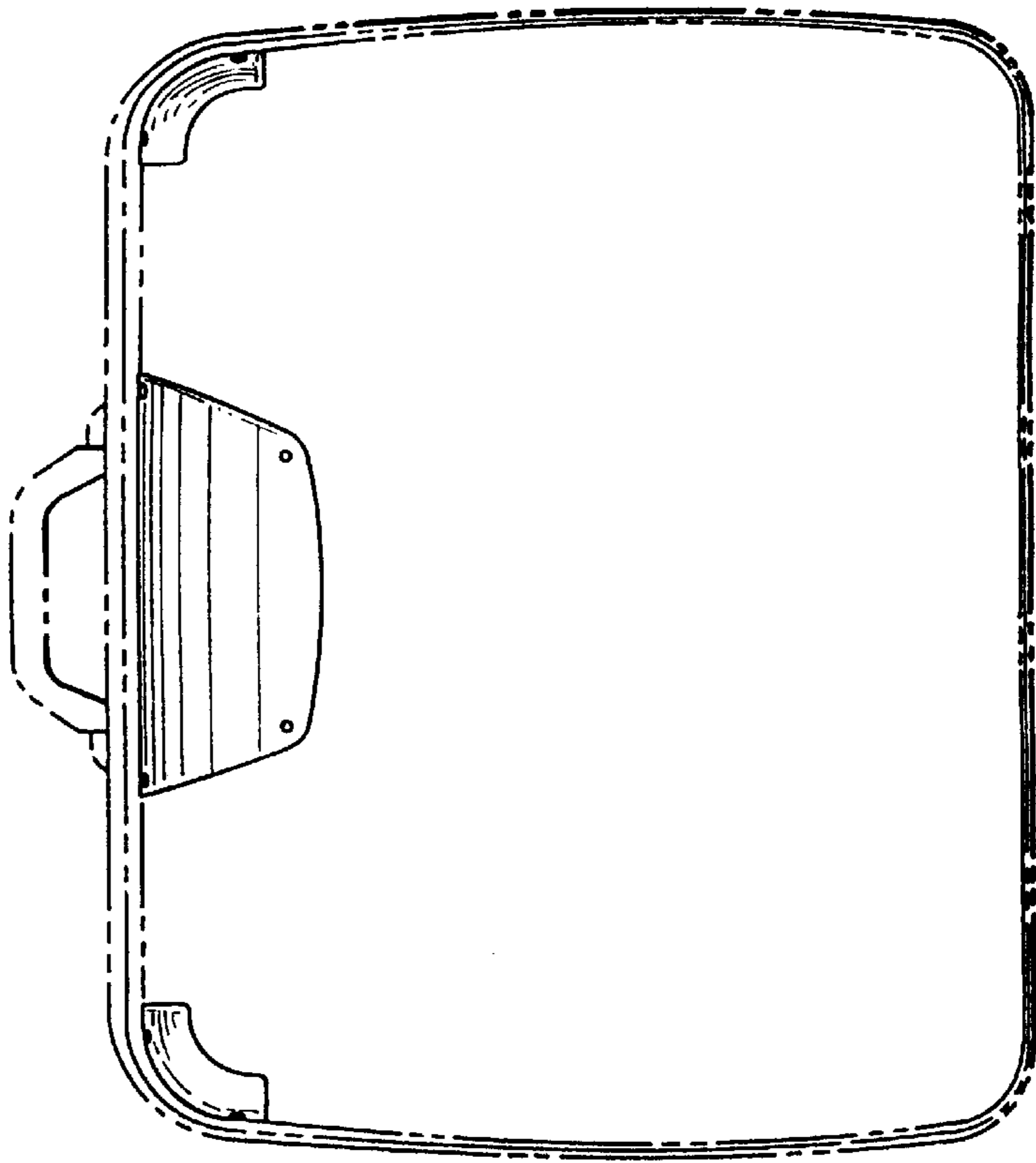


FIG. 3

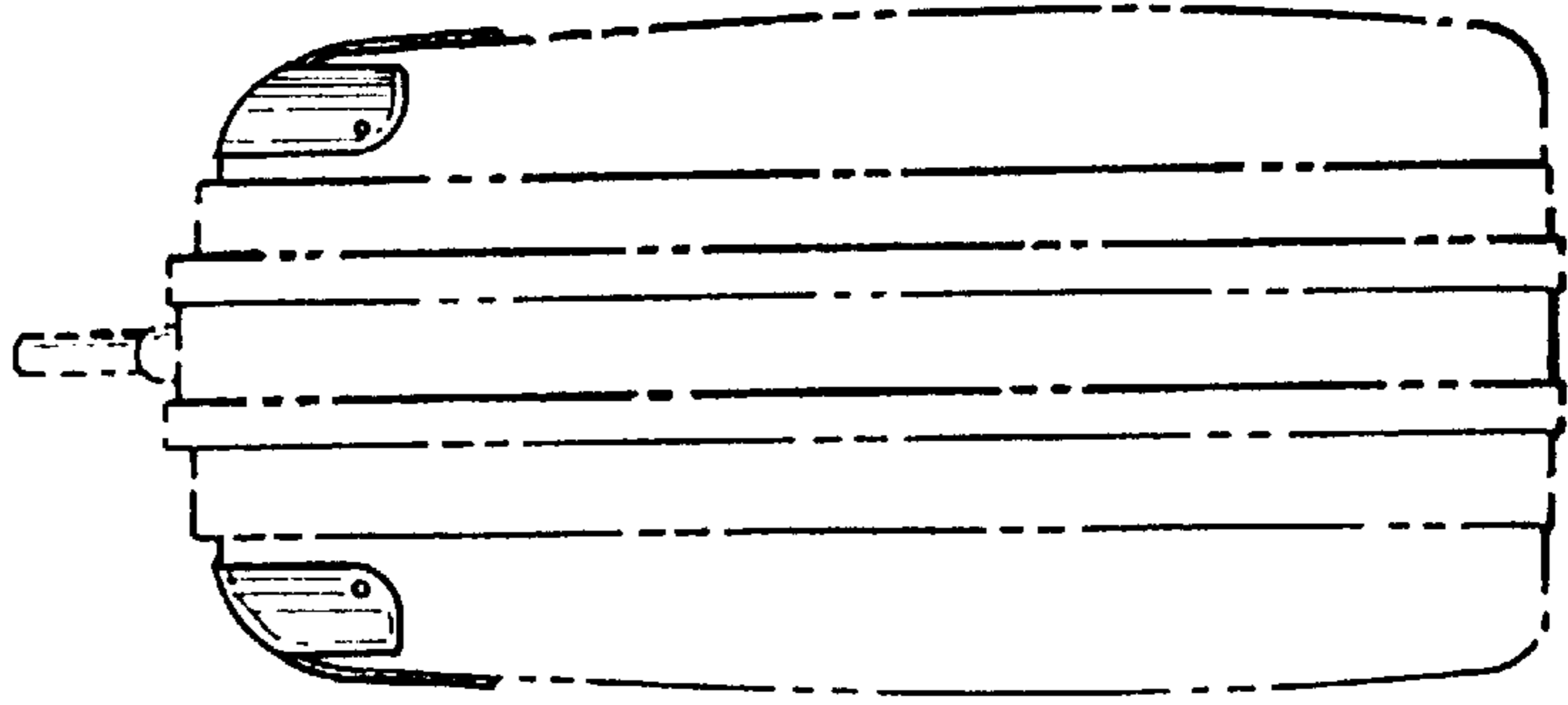


FIG. 4