



US00D463123S

(12) **United States Design Patent**
Hradisky

(10) **Patent No.:** **US D463,123 S**

(45) **Date of Patent:** **** Sep. 24, 2002**

(54) **CONTAINER**

D426,490 S 6/2000 Grosfillex
D429,418 S 8/2000 Tisbo et al.

(75) Inventor: **John L. Hradisky**, Aurora, OH (US)

OTHER PUBLICATIONS

(73) Assignee: **The Step2 Company**, Streetsboro, OH (US)

Spiegel Spring/Summer 1994 p. 537 item "R" canister set.*

(**) Term: **14 Years**

* cited by examiner

(21) Appl. No.: **29/150,546**

Primary Examiner—Louis S. Zarfaz

Assistant Examiner—Deanne Levy

(22) Filed: **Nov. 19, 2001**

(74) *Attorney, Agent, or Firm*—Emerson & Skeriotis;
Roger D. Emerson

Related U.S. Application Data

(57) **CLAIM**

(63) Continuation-in-part of application No. 29/138,294, filed on Mar. 8, 2001.

The ornamental design for a container, as shown and described.

(51) **LOC (7) Cl.** **03-01**

DESCRIPTION

(52) **U.S. Cl.** **D3/306**

(58) **Field of Search** D3/304–306, 321,
D3/322; D11/75, 143, 155, 156; D6/403;
217/122–125; 47/65.5; D25/100; D5/53

FIG. 1 is a front perspective view of the present invention, and the broken lines are for illustrative purposes only and form no part of the claimed design;

FIG. 2 is a rear perspective view of the present invention, and the broken lines are for illustrative purposes only and form no part of the claimed design;

(56) **References Cited**

U.S. PATENT DOCUMENTS

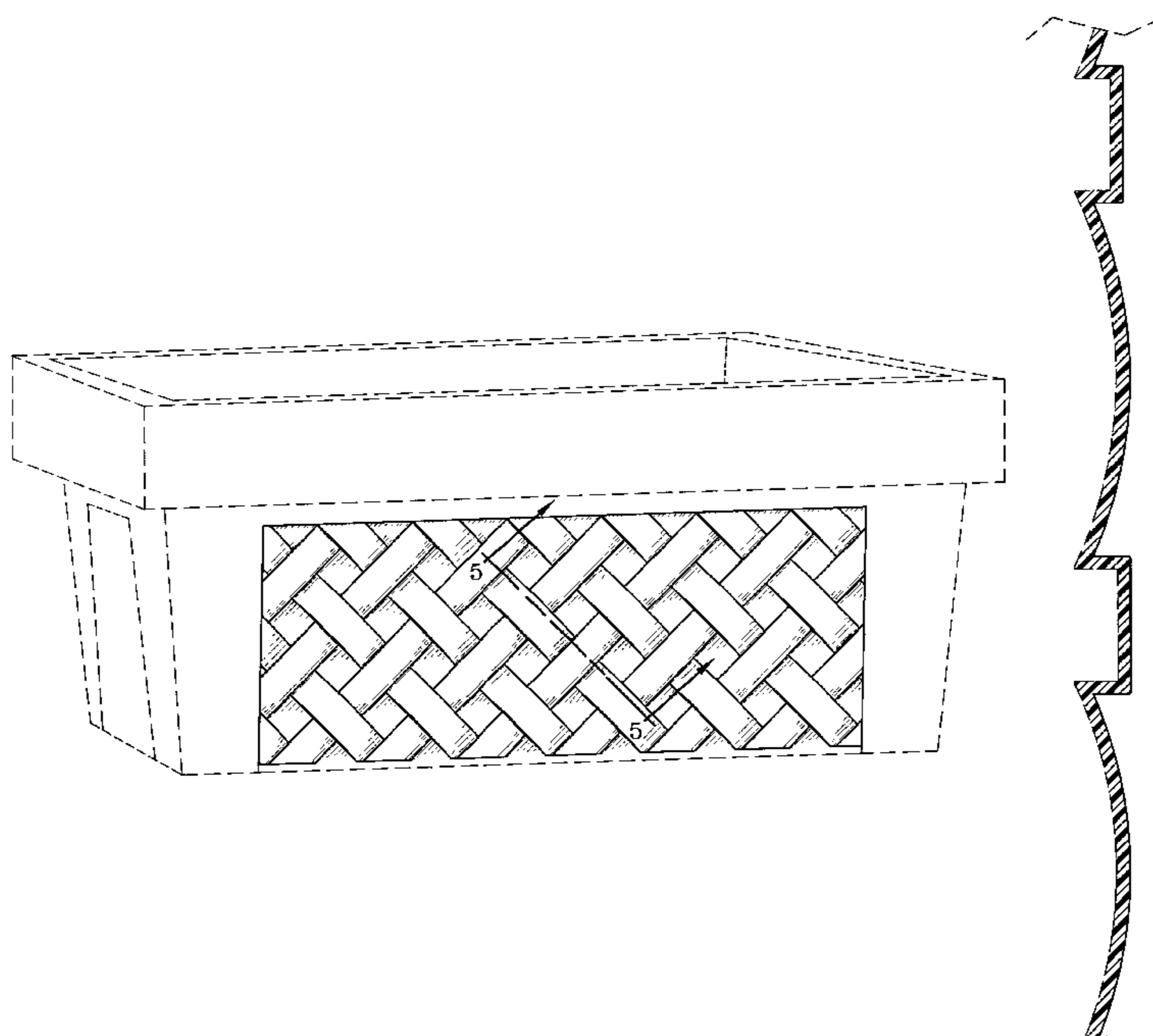
| | | | |
|-------------|-----------|-----------------|---------|
| 1,047,730 A | 12/1912 | Black | |
| 1,294,092 A | 2/1919 | Greenlee et al. | |
| D98,585 S | * 2/1936 | Fisher | D11/222 |
| D157,010 S | * 1/1950 | Solotoy | D25/150 |
| D173,145 S | * 10/1954 | Chernow | D11/42 |
| 2,886,697 A | * 5/1959 | Pomeroy | 52/660 |
| D211,957 S | 8/1968 | Penniman | |
| D218,405 S | 8/1970 | Wilson | |
| D274,229 S | 6/1984 | Grosfillex | |
| 4,781,002 A | * 11/1988 | Chichester | 52/663 |
| 5,274,952 A | * 1/1994 | Wood | 47/65.5 |
| D366,532 S | 1/1996 | Herbst et al. | |
| D415,353 S | * 10/1999 | Funk et al. | D5/53 |

FIG. 3 is a top perspective view showing the backside of the lattice design illustrated in FIG. 2, and the broken lines are for illustrative purposes only and form no part of the claimed design;

FIG. 4 is another top perspective view showing the backside of the lattice design illustrated in FIG. 1, and the broken lines are for illustrative purposes only and form no part of the claimed design; and,

FIG. 5 is a cross-sectional view taken along line 5—5 of FIG. 1, and the broken lines are for illustrative purposes only and form no part of the claimed design.

1 Claim, 5 Drawing Sheets



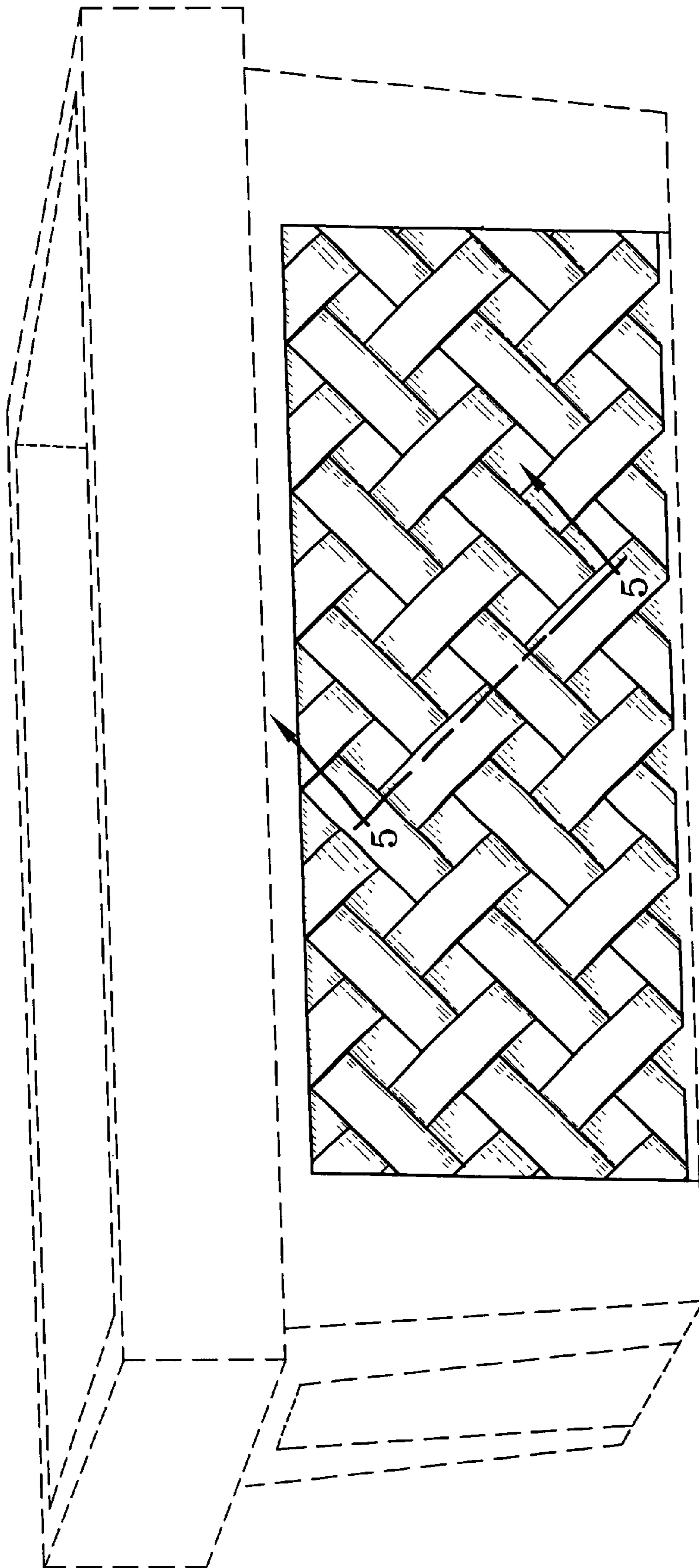


FIG-1

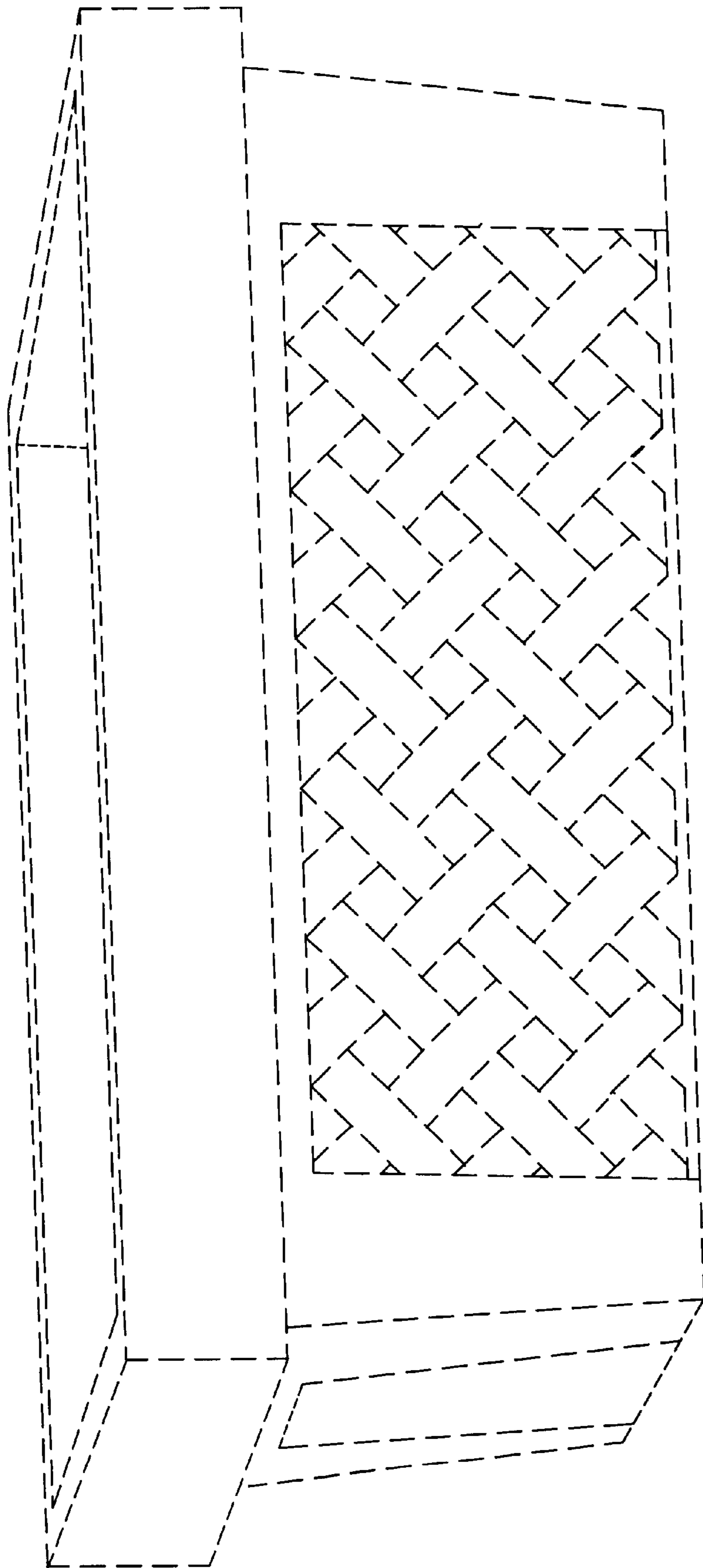


FIG-2

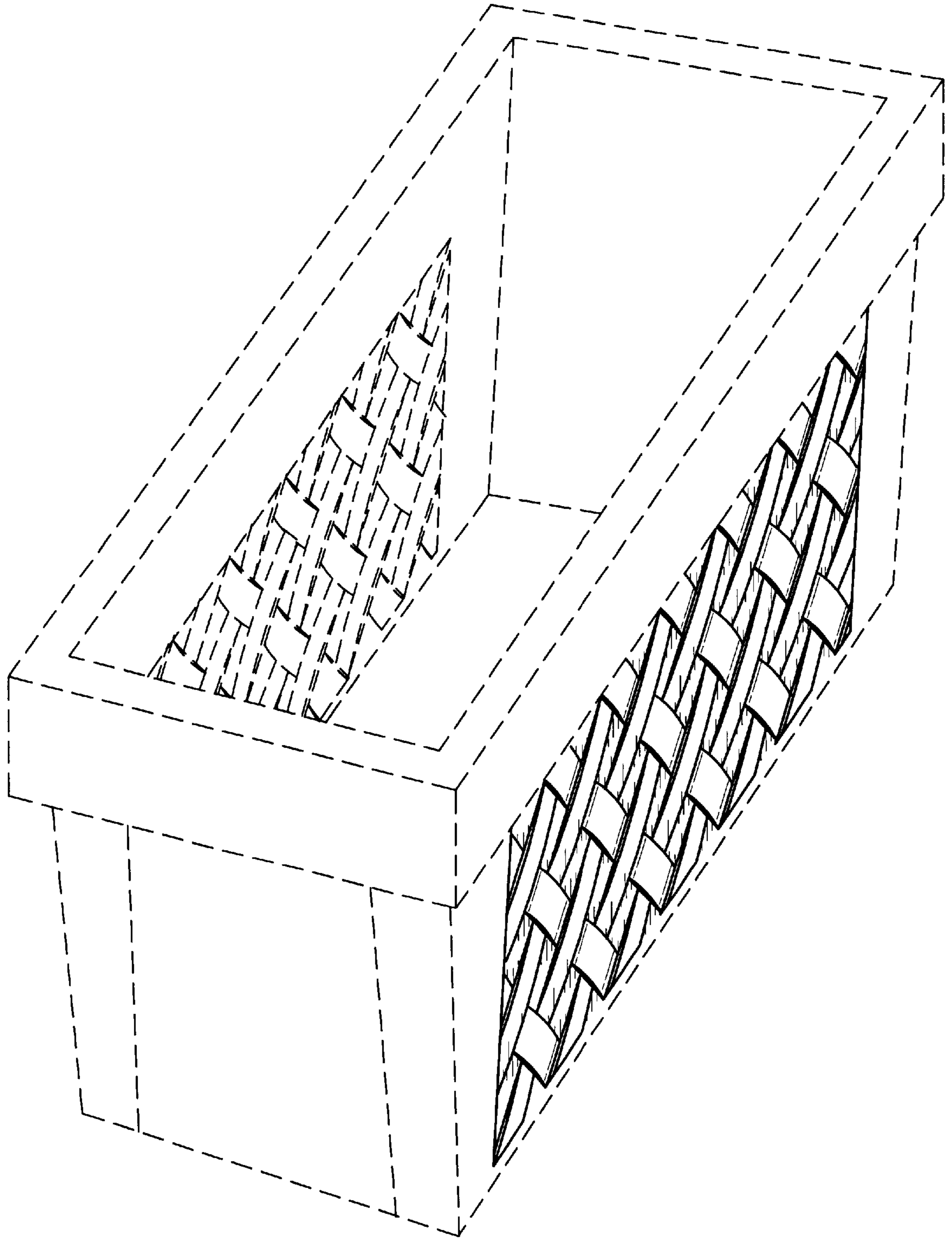


FIG-3

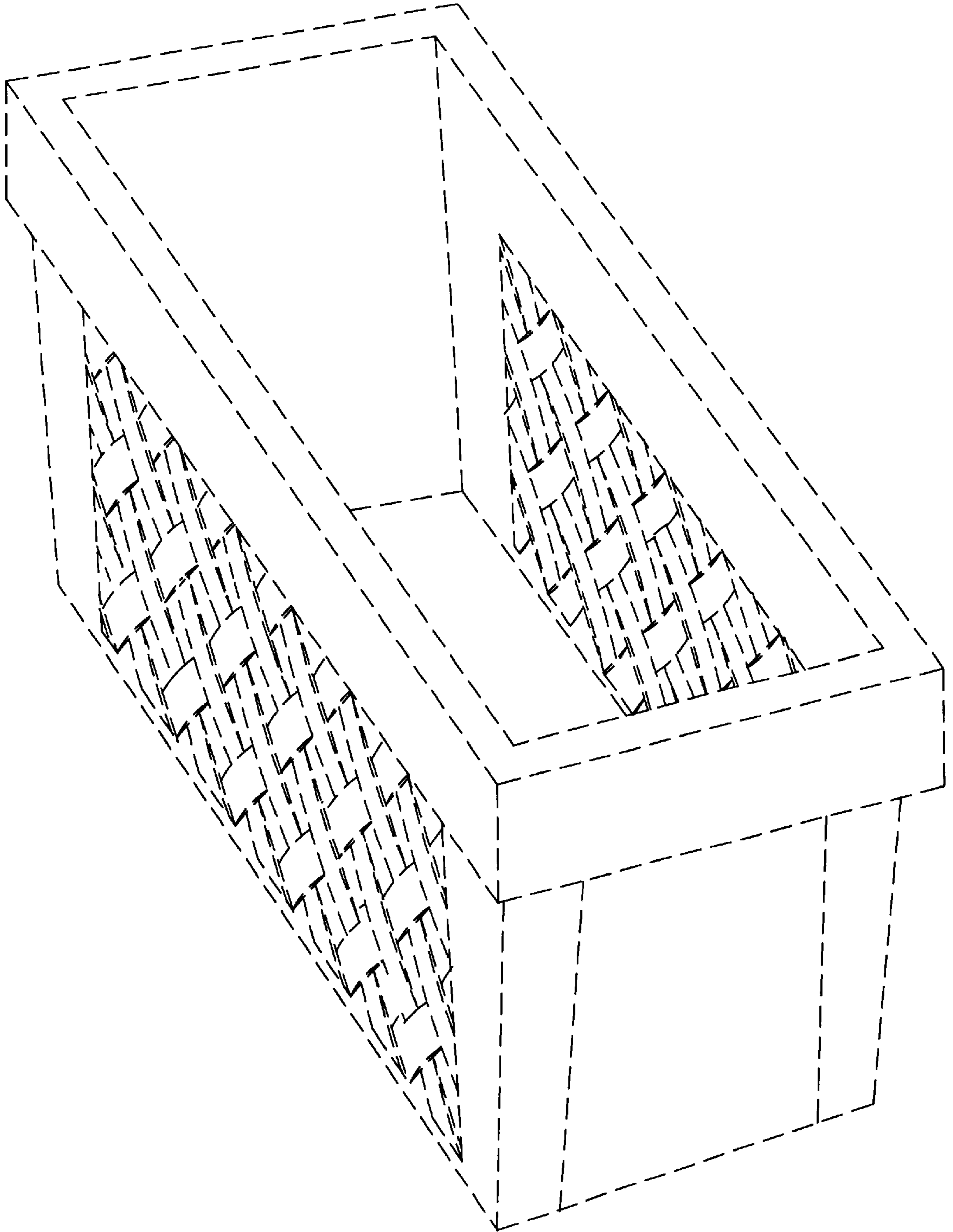


FIG-4

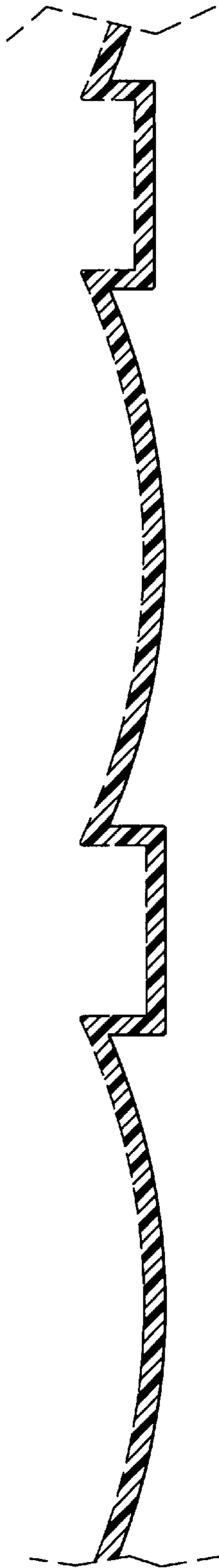


FIG-5