



US00D463120S

(12) **United States Design Patent**  
**Yoshinaka**

(10) **Patent No.:** **US D463,120 S**

(45) **Date of Patent:** **\*\* Sep. 24, 2002**

(54) **TOOL BOX**

(75) Inventor: **Isao Yoshinaka**, Tokyo (JP)

(73) Assignee: **Hiromori Inc.**, Tokyo (JP)

(\*\*) Term: **14 Years**

(21) Appl. No.: **29/141,129**

(22) Filed: **Apr. 30, 2001**

(30) **Foreign Application Priority Data**

Nov. 1, 2000 (HK) ..... 0011601

(51) **LOC (7) Cl.** ..... **03-01**

(52) **U.S. Cl.** ..... **D3/299; D3/276; D3/905**

(58) **Field of Search** ..... D3/273, 276, 274,  
D3/291, 300, 299, 905; 206/349, 372, 373,  
748

(56) **References Cited**

**U.S. PATENT DOCUMENTS**

- D236,552 S \* 8/1975 Wagner ..... D3/299
- D276,004 S \* 10/1984 Mink ..... D3/299
- D323,937 S \* 2/1992 Solomon ..... D3/299
- 5,156,289 A \* 10/1992 Goof ..... 206/373
- 5,676,253 A \* 10/1997 Hsu ..... 206/372
- D385,694 S \* 11/1997 Magnussen ..... D3/201
- D449,443 S \* 10/2001 Snider ..... D3/299

D449,444 S \* 10/2001 Snider ..... D3/299

\* cited by examiner

*Primary Examiner*—Philip S. Hyder

(74) *Attorney, Agent, or Firm*—Salter & Michaelson

(57) **CLAIM**

The ornamental design for a tool box, as shown and described.

**DESCRIPTION**

FIG. 1 is a perspective view of a tool box in an open position;

FIG. 2 is a perspective view of a tool box in a closed position;

FIG. 3 is a top plan view thereof in the closed position;

FIG. 4 is a bottom plan view thereof in the closed position;

FIG. 5 is a rear elevational view thereof in the closed position;

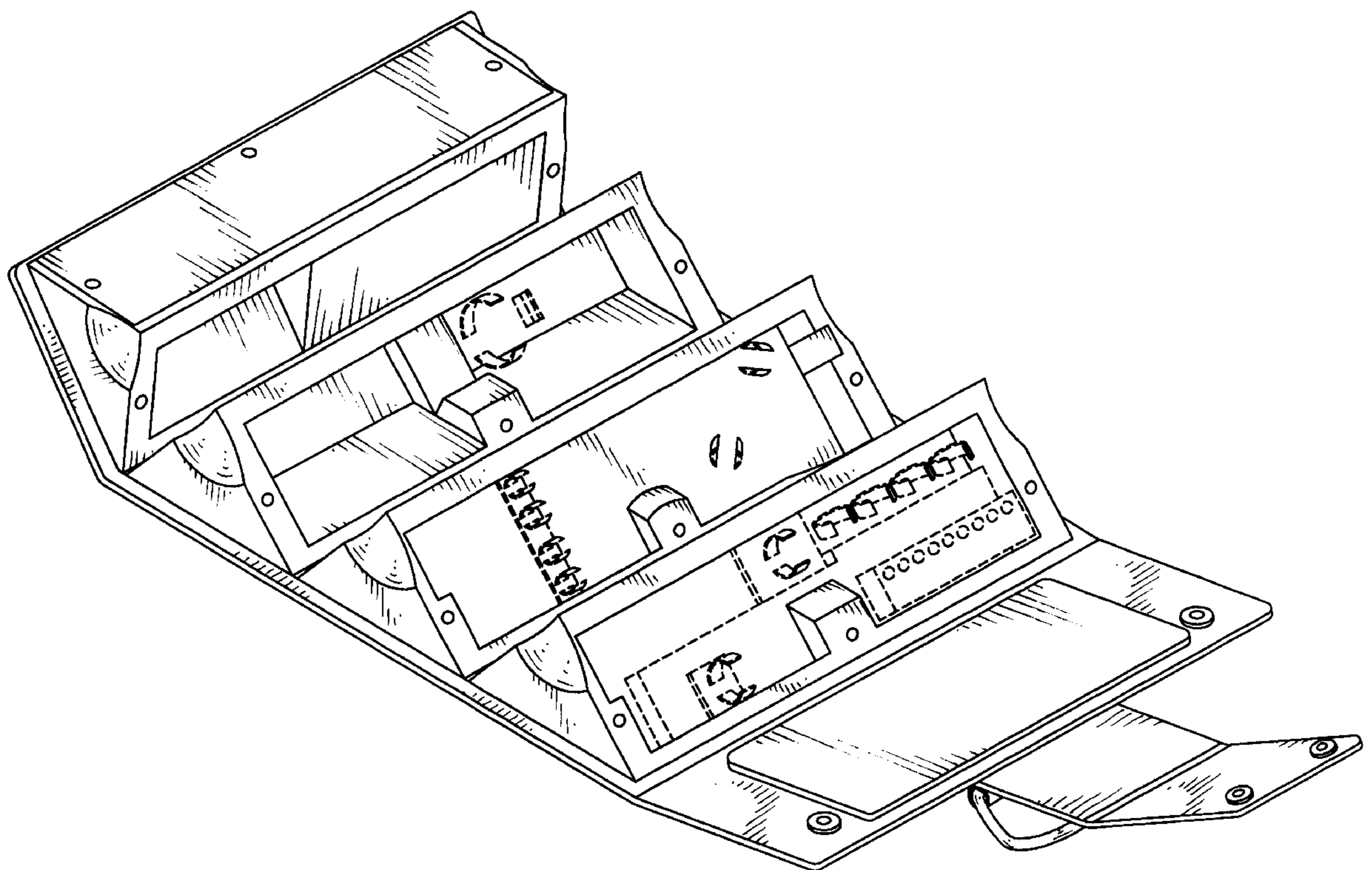
FIG. 6 is a front elevational view thereof in the closed position;

FIG. 7 is a left side elevational view thereof in the closed position; and,

FIG. 8 is a right side elevational view thereof in the closed position.

The portions shown in broken lines are included for illustrative purposes only and form no part of the claimed design.

**1 Claim, 5 Drawing Sheets**



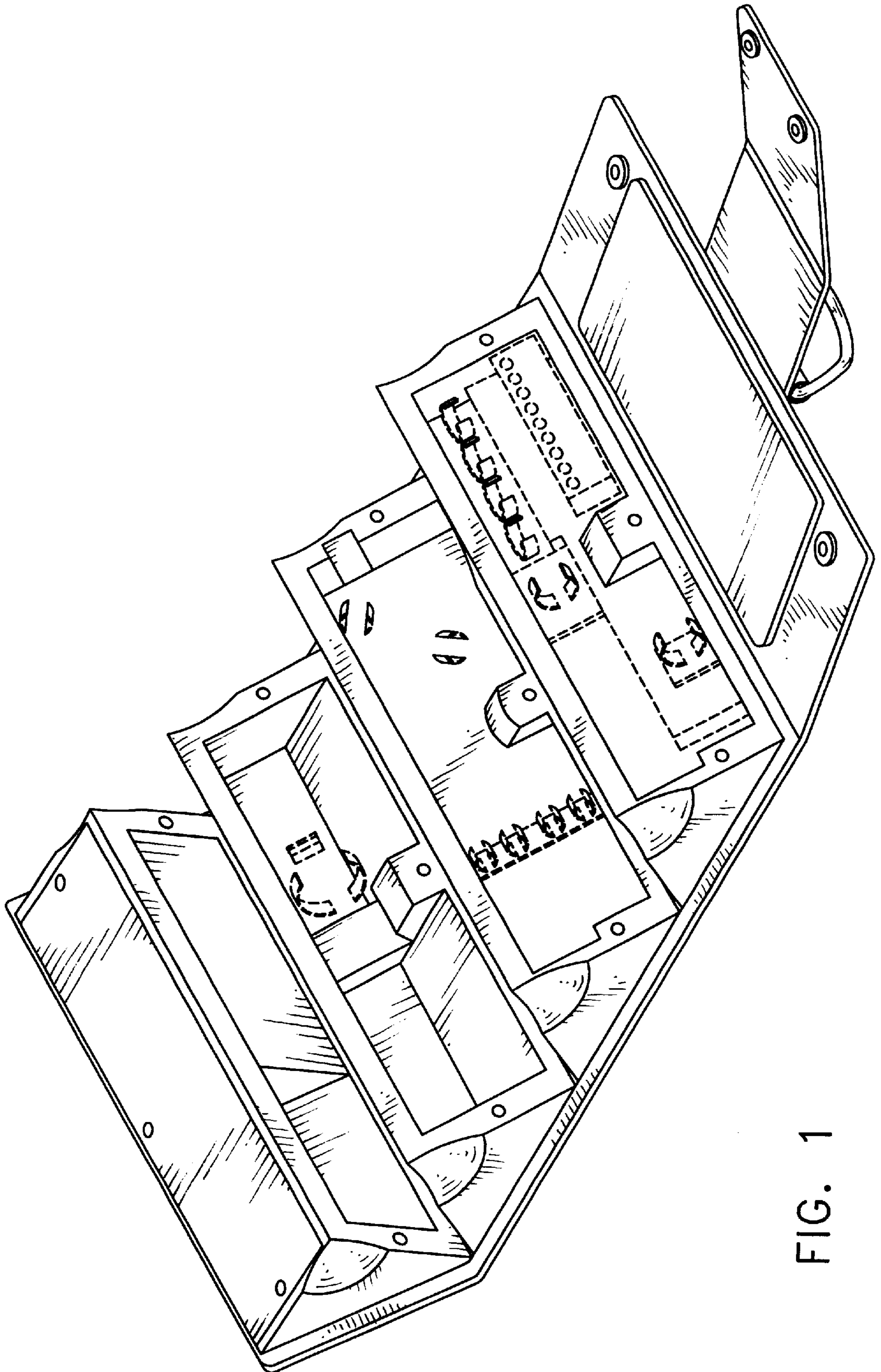
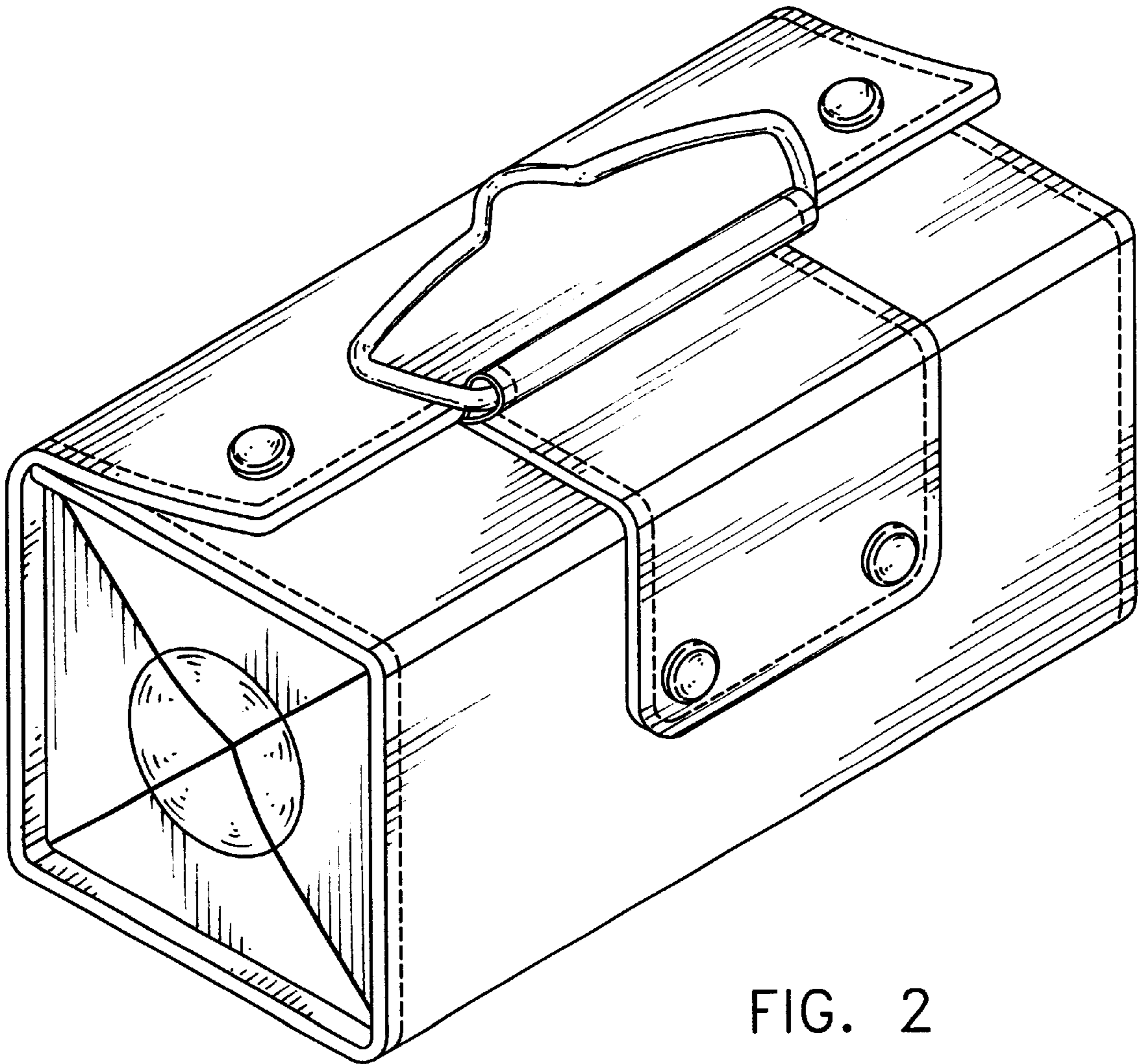


FIG. 1



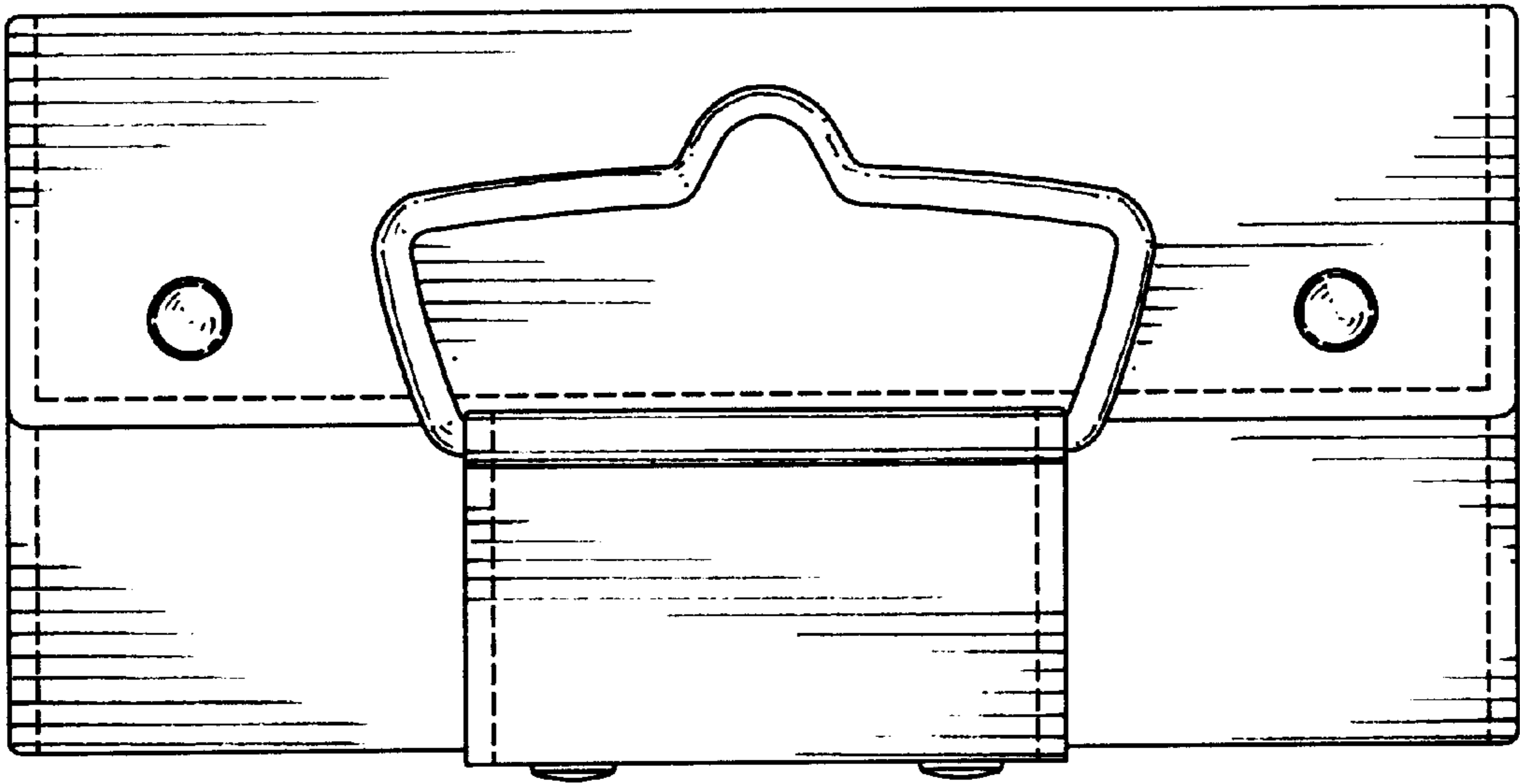


FIG. 3

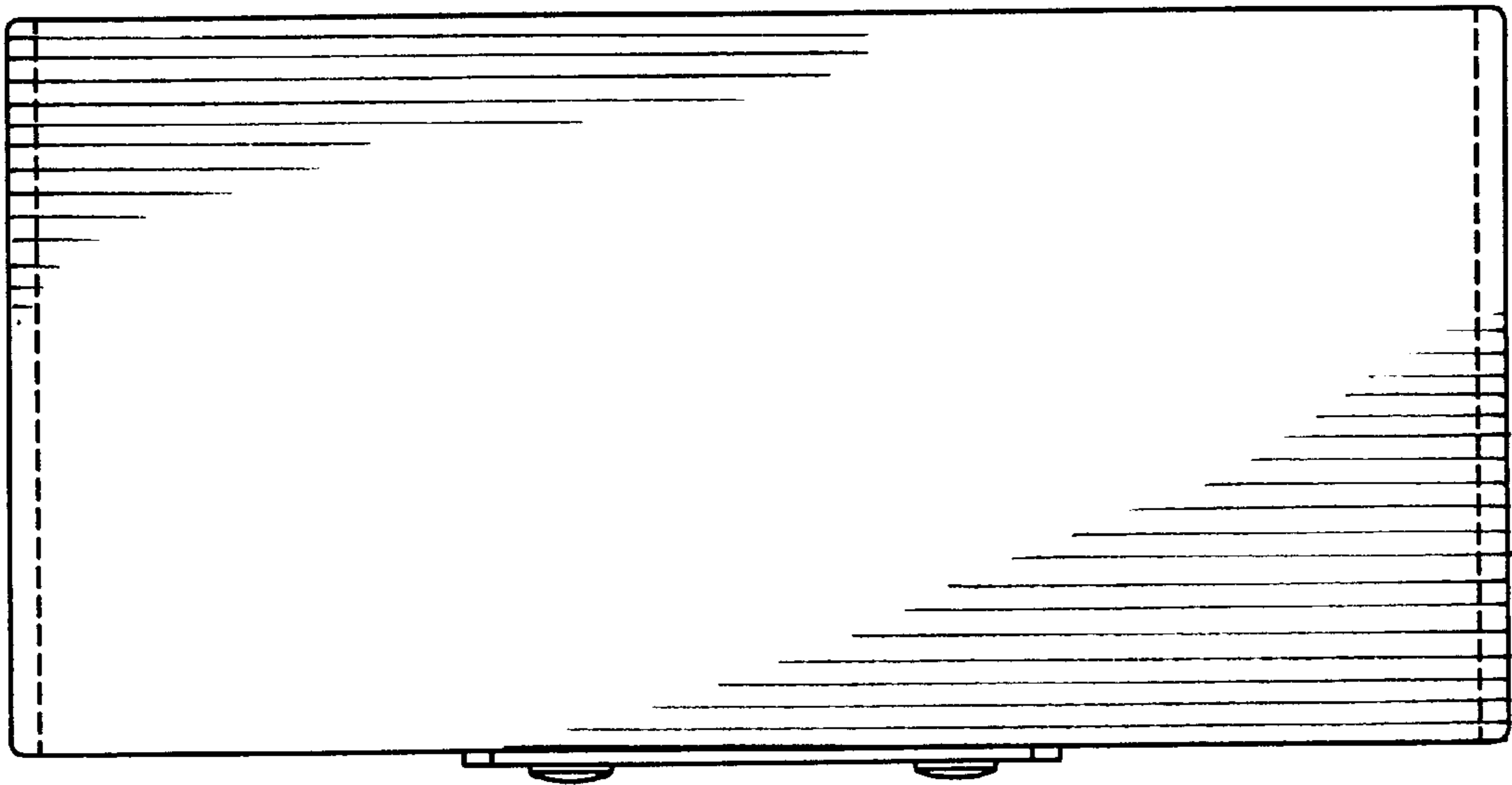


FIG. 4

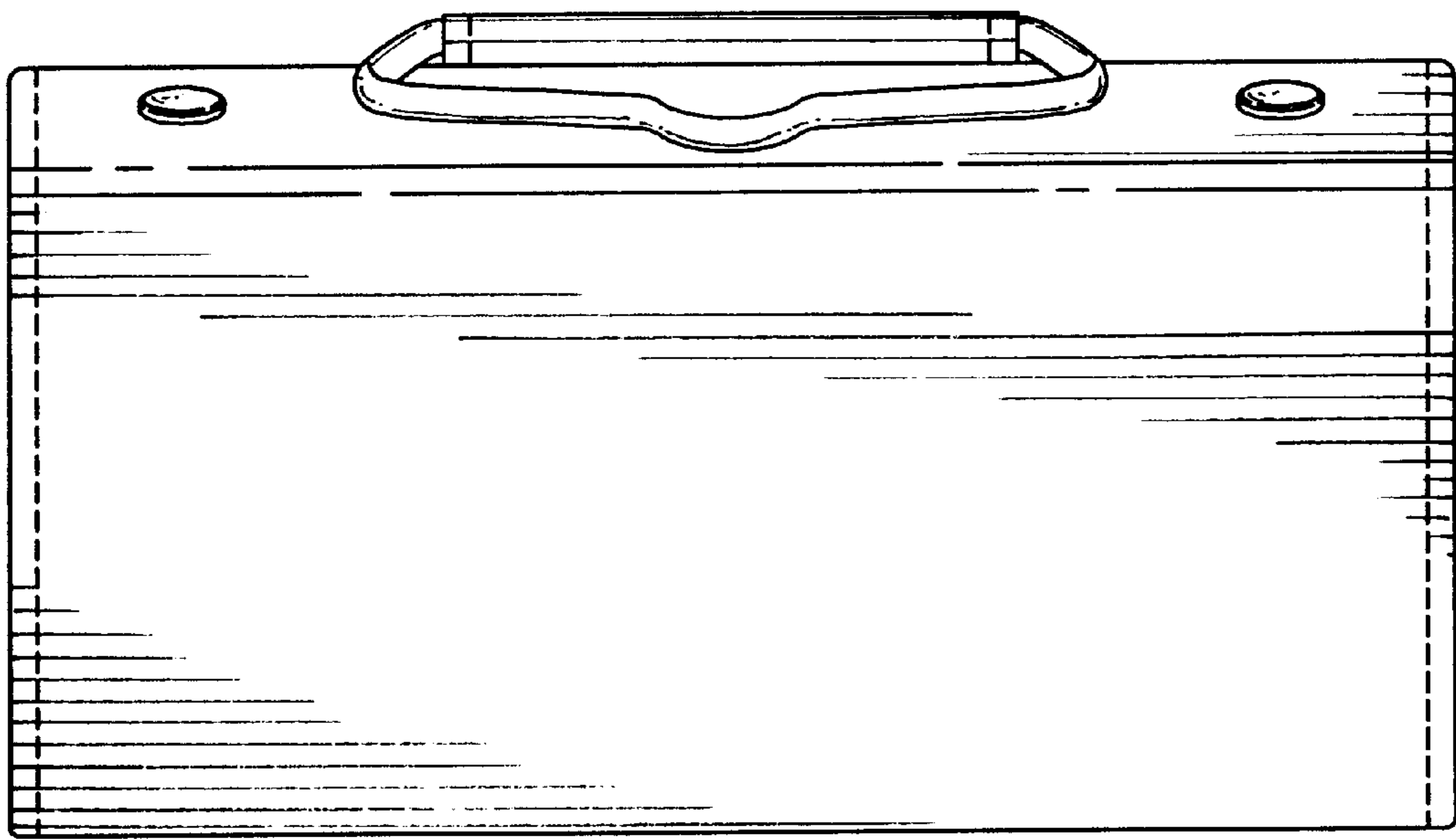


FIG. 5

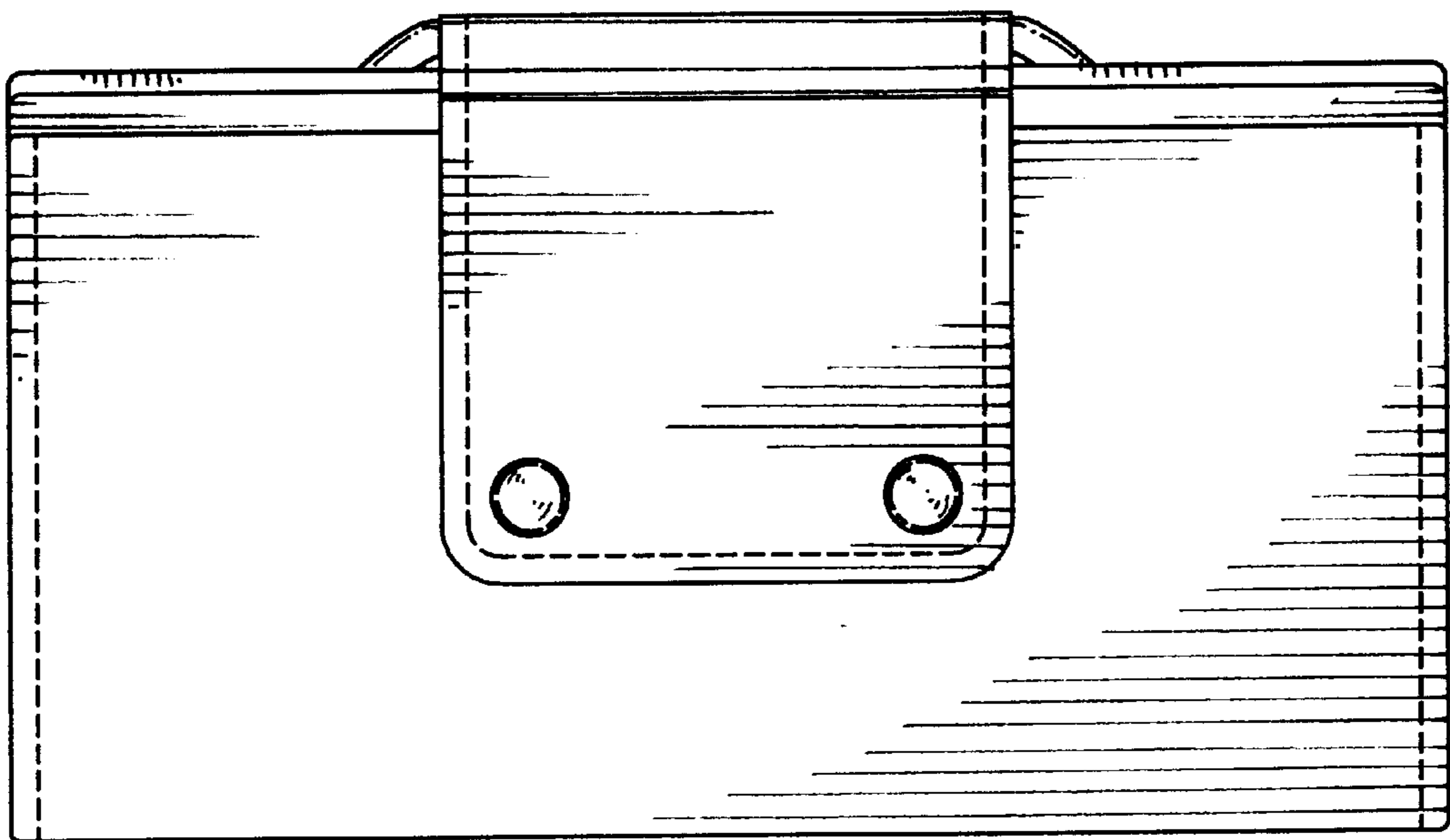


FIG. 6

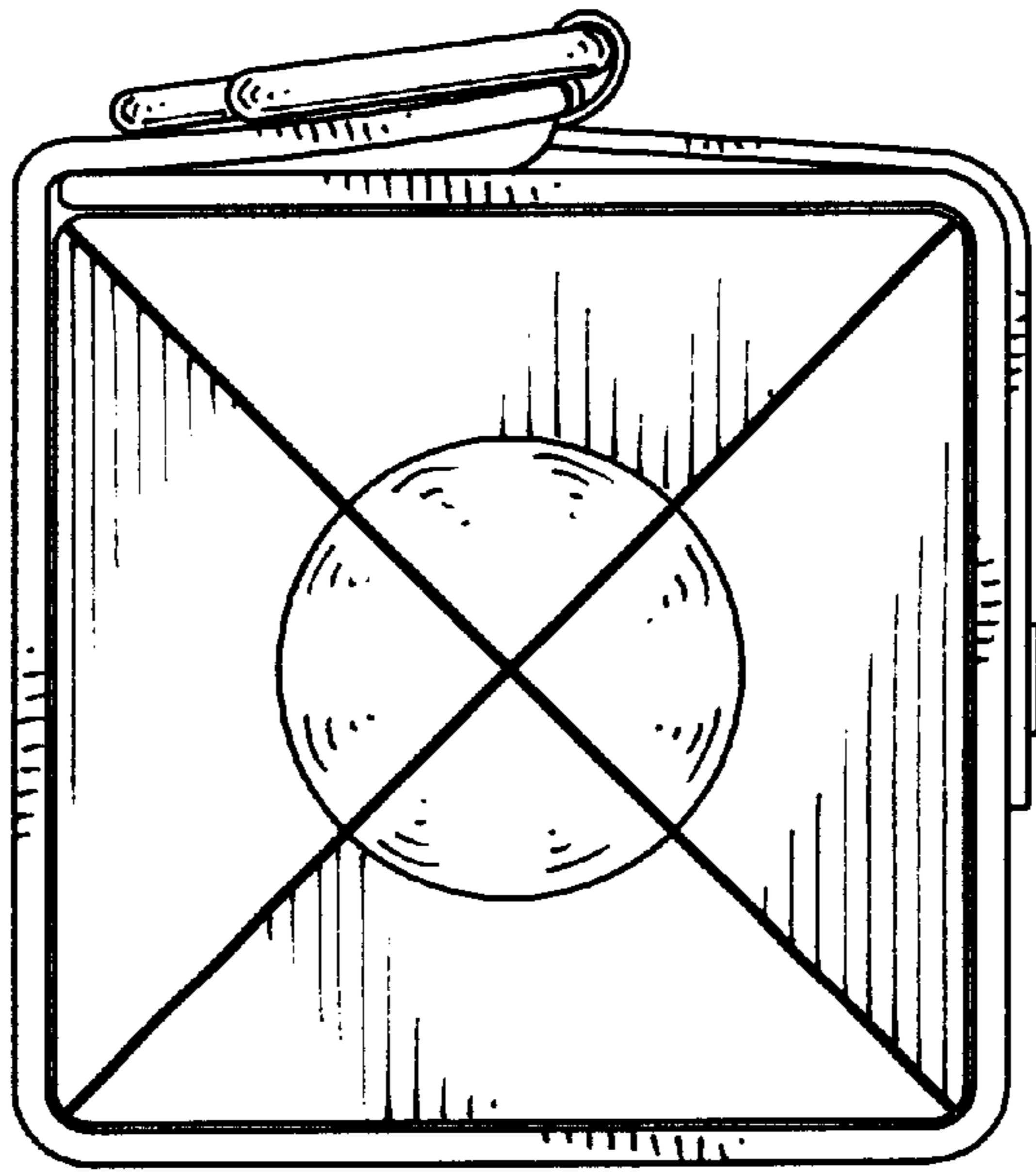


FIG. 7

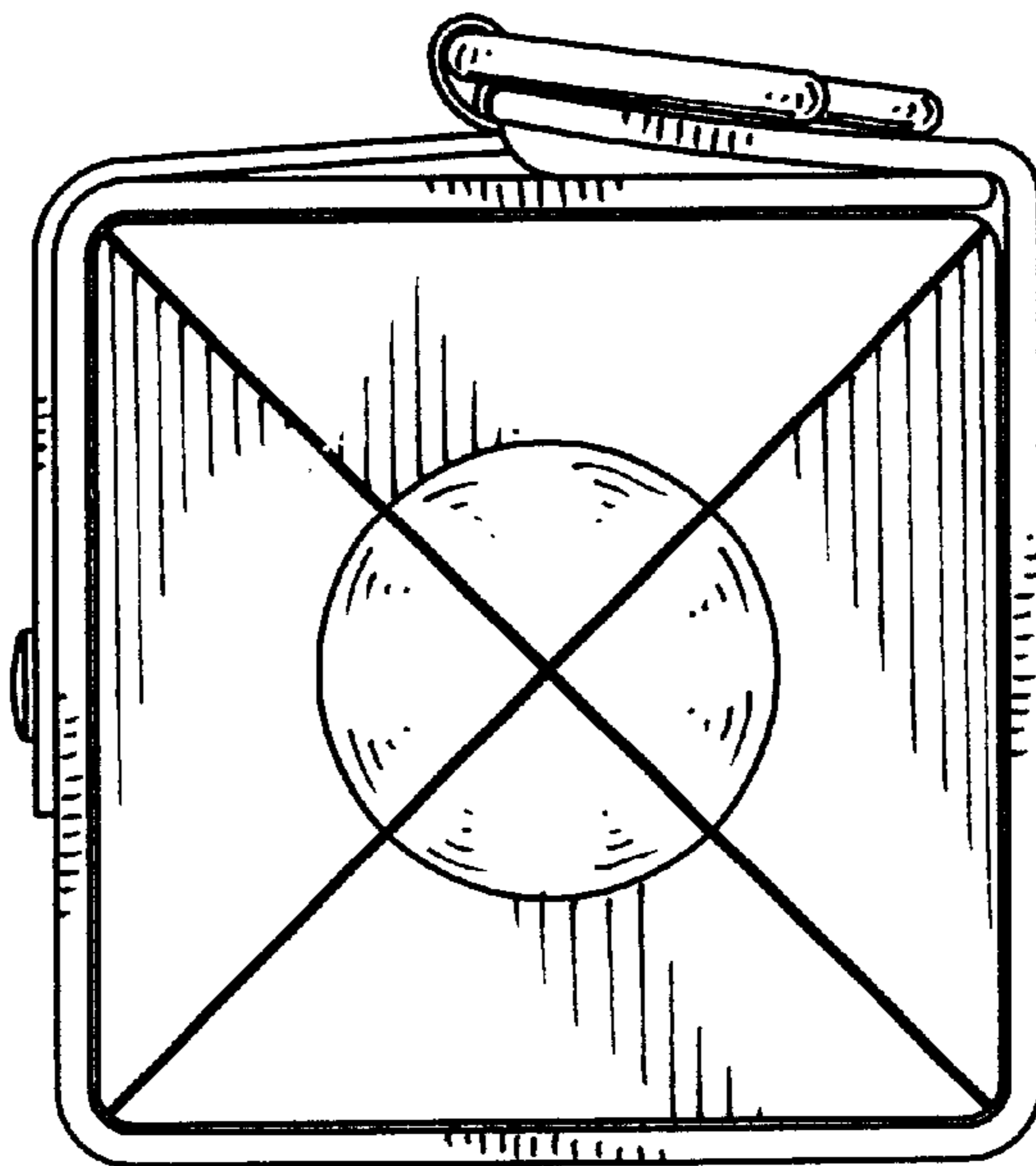


FIG. 8