



US00D463117S

(12) **United States Design Patent**  
**Carter**

(10) **Patent No.:** **US D463,117 S**

(45) **Date of Patent:** **\*\* Sep. 24, 2002**

(54) **SHOTGUN SHELL HOLDER**

(76) **Inventor:** **Marvin D. Carter**, 435 North Dr., Mt. Zion, IL (US) 62549

(\*\*) **Term:** **14 Years**

(21) **Appl. No.:** **29/154,159**

(22) **Filed:** **Jan. 18, 2002**

(51) **LOC (7) Cl.** ..... **03-01**

(52) **U.S. Cl.** ..... **D3/226; D3/221**

(58) **Field of Search** ..... D3/221, 215, 226, D3/224, 225, 230; D22/108, 199; 224/223, 239, 245, 678, 682, 247, 584; D27/172

(56) **References Cited**

**U.S. PATENT DOCUMENTS**

160,420	A	*	3/1875	Goss	.....	224/678
2,628,749	A	*	2/1953	Ryden	.....	224/223
D284,714	S	*	7/1986	Thor	.....	D22/199 X
4,727,890	A	*	3/1988	Vincent	.....	D27/172
D329,140	S	*	9/1992	Maricle	.....	D3/225
D363,525	S	*	10/1995	Montefusco	.....	D22/108

D413,644	S	*	9/1999	Carver	.....	D22/108
6,202,908	B1	*	3/2001	Groover	.....	224/239
6,244,486	B1	*	6/2001	Holland et al.	.....	224/584

\* cited by examiner

*Primary Examiner*—Catherine R. Oliver

(74) *Attorney, Agent, or Firm*—Philip L. Bateman

(57) **CLAIM**

The ornamental design for a shotgun shell holder, as shown and described.

**DESCRIPTION**

FIG. 1 is a front, left side, and top perspective view of a shotgun shell holder showing my new design. Individual shotgun shells and a box of shotgun shells are shown in broken lines and are not part of the design;

FIG. 2 is a top plan view thereof;

FIG. 3 is a front elevation view thereof;

FIG. 4 is a right side elevation view thereof;

FIG. 5 is a bottom plan view thereof; and,

FIG. 6 is a rear elevation view thereof.

**1 Claim, 2 Drawing Sheets**

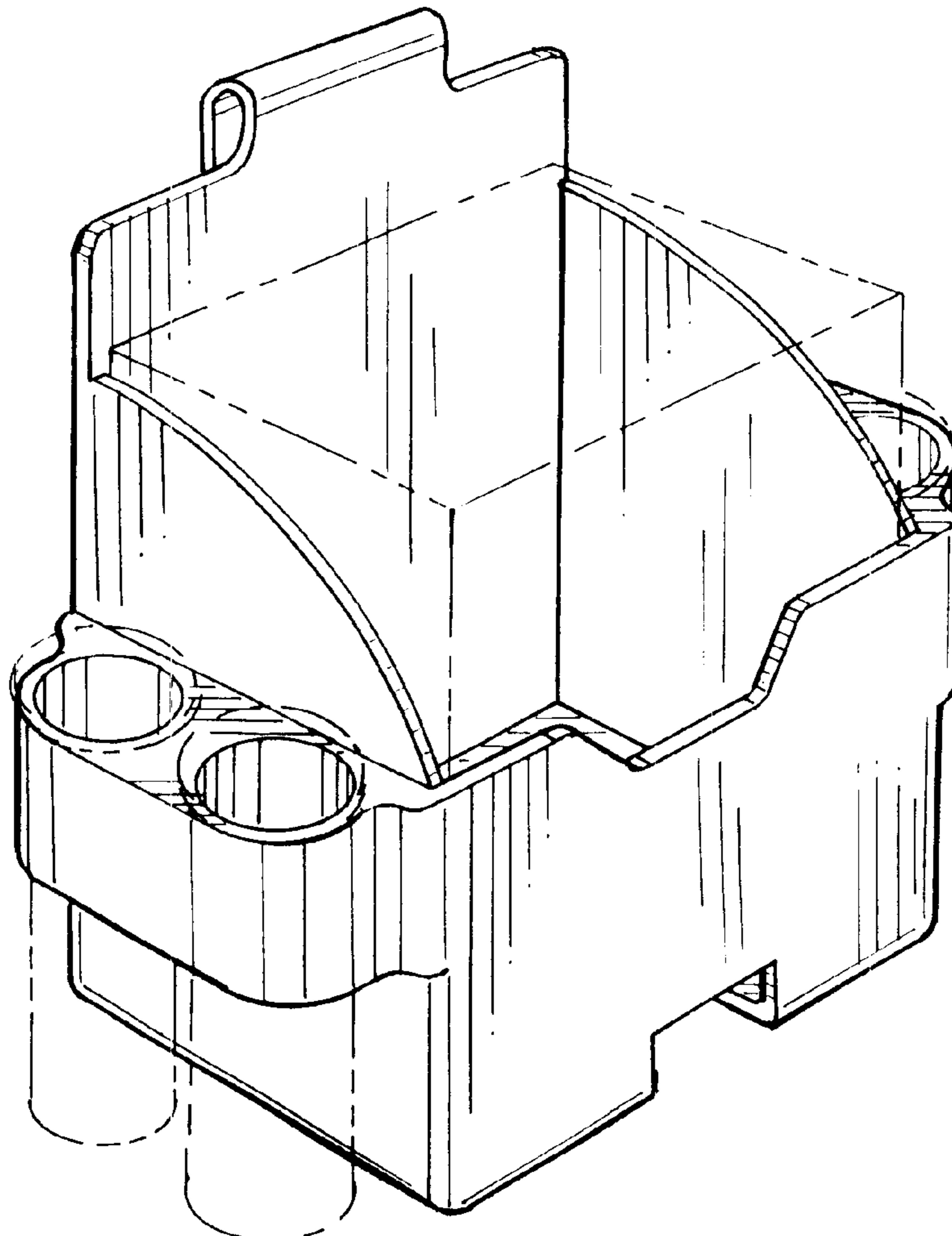


FIG. 1

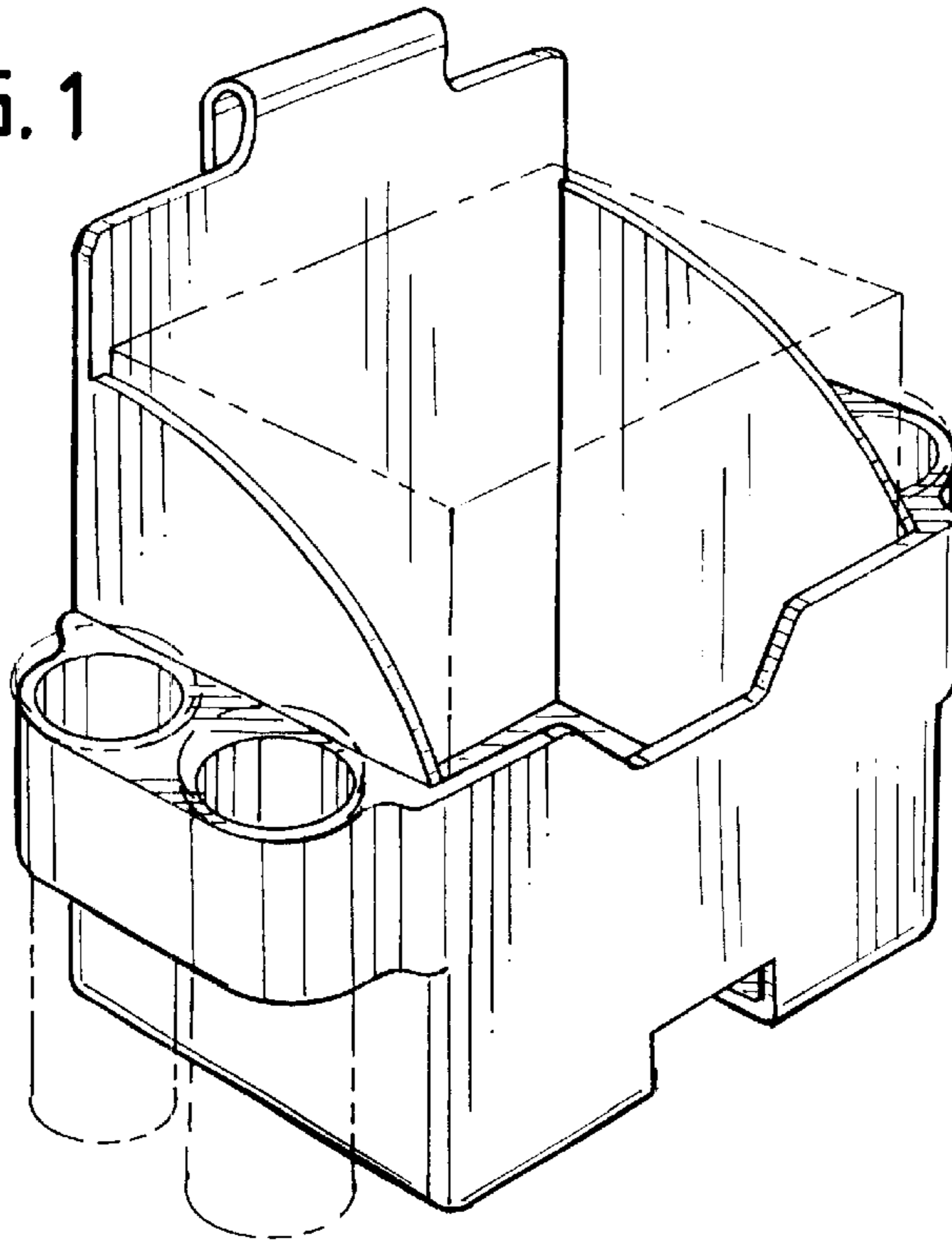


FIG. 2

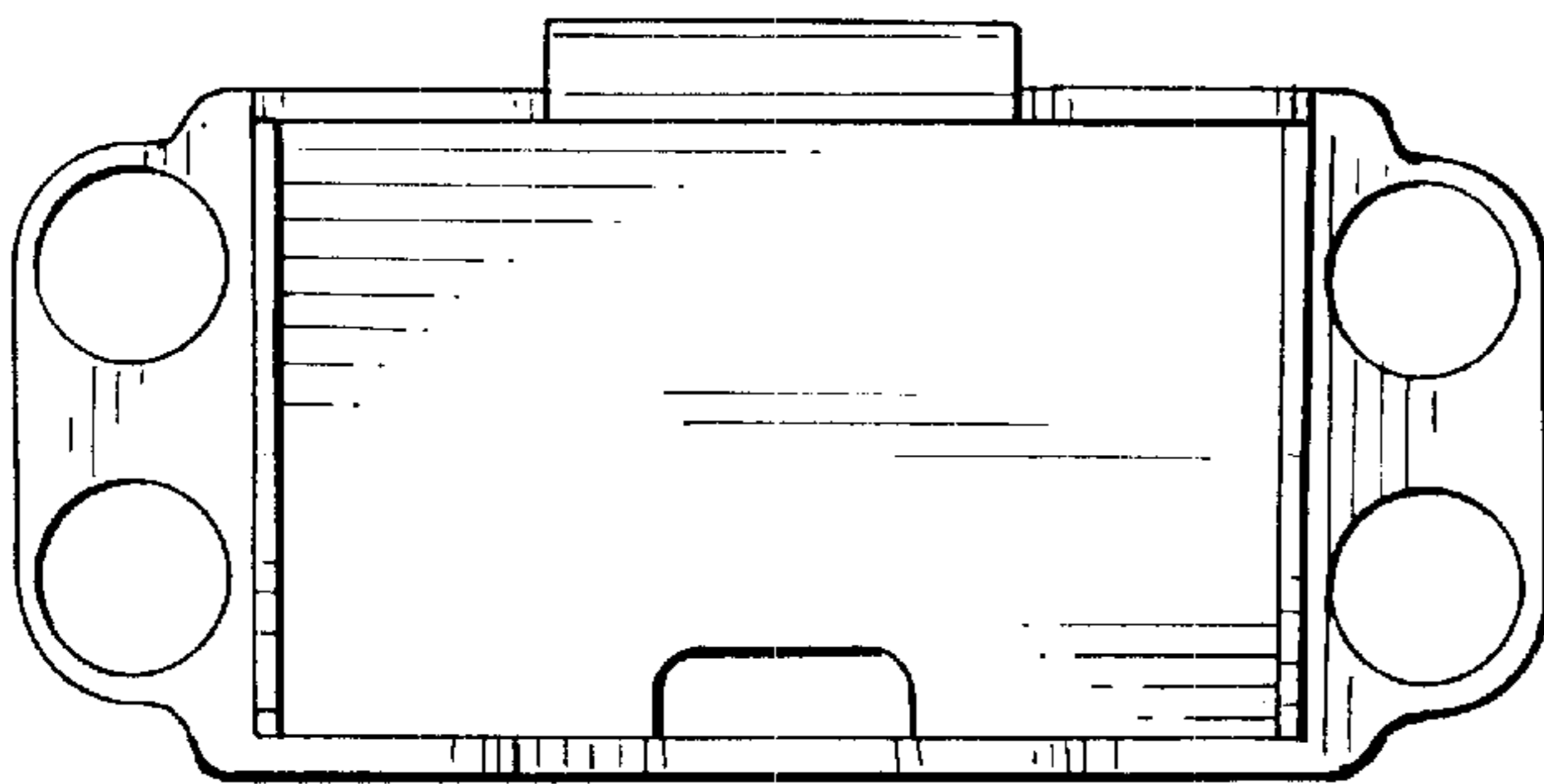


FIG. 3

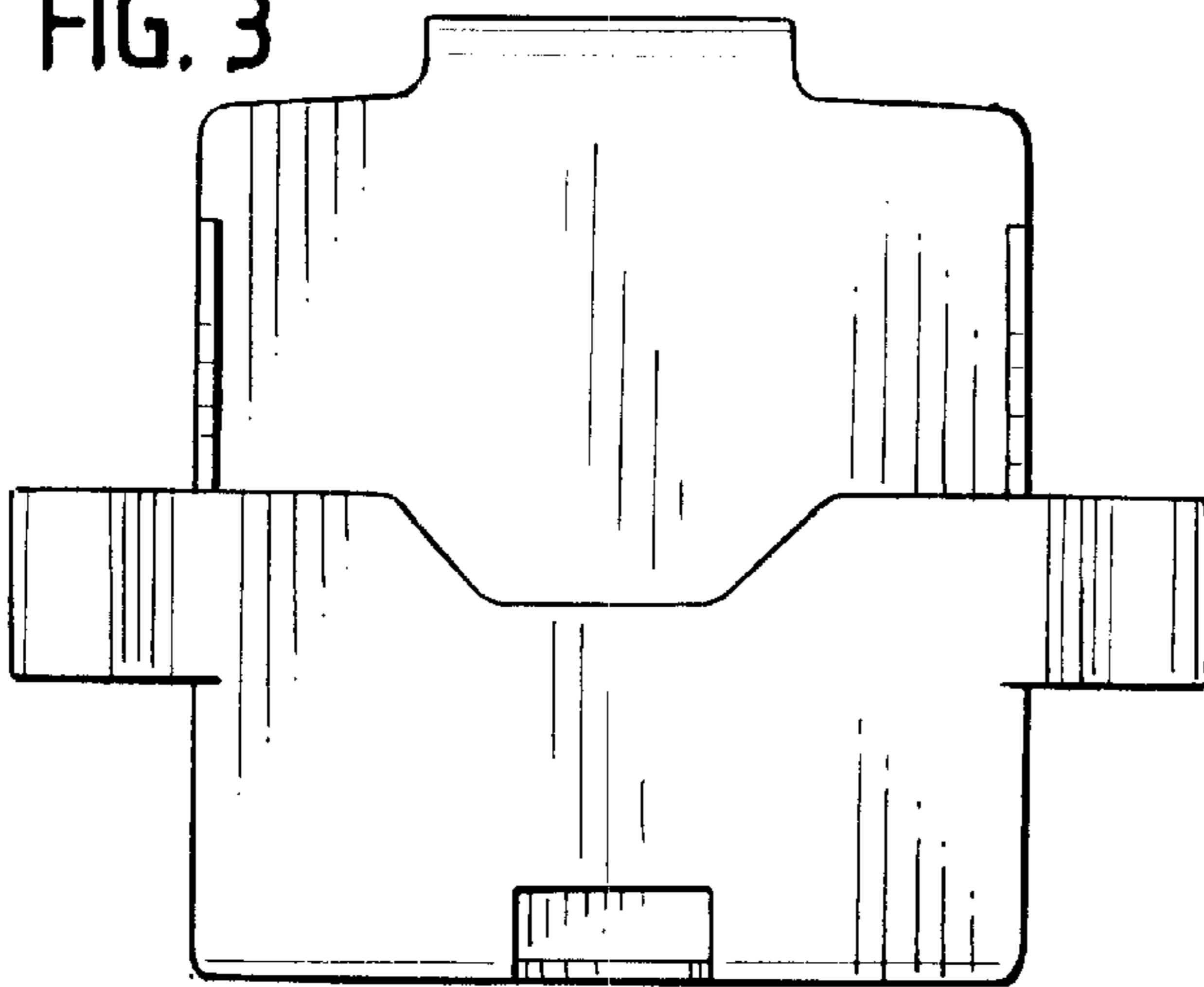


FIG. 4

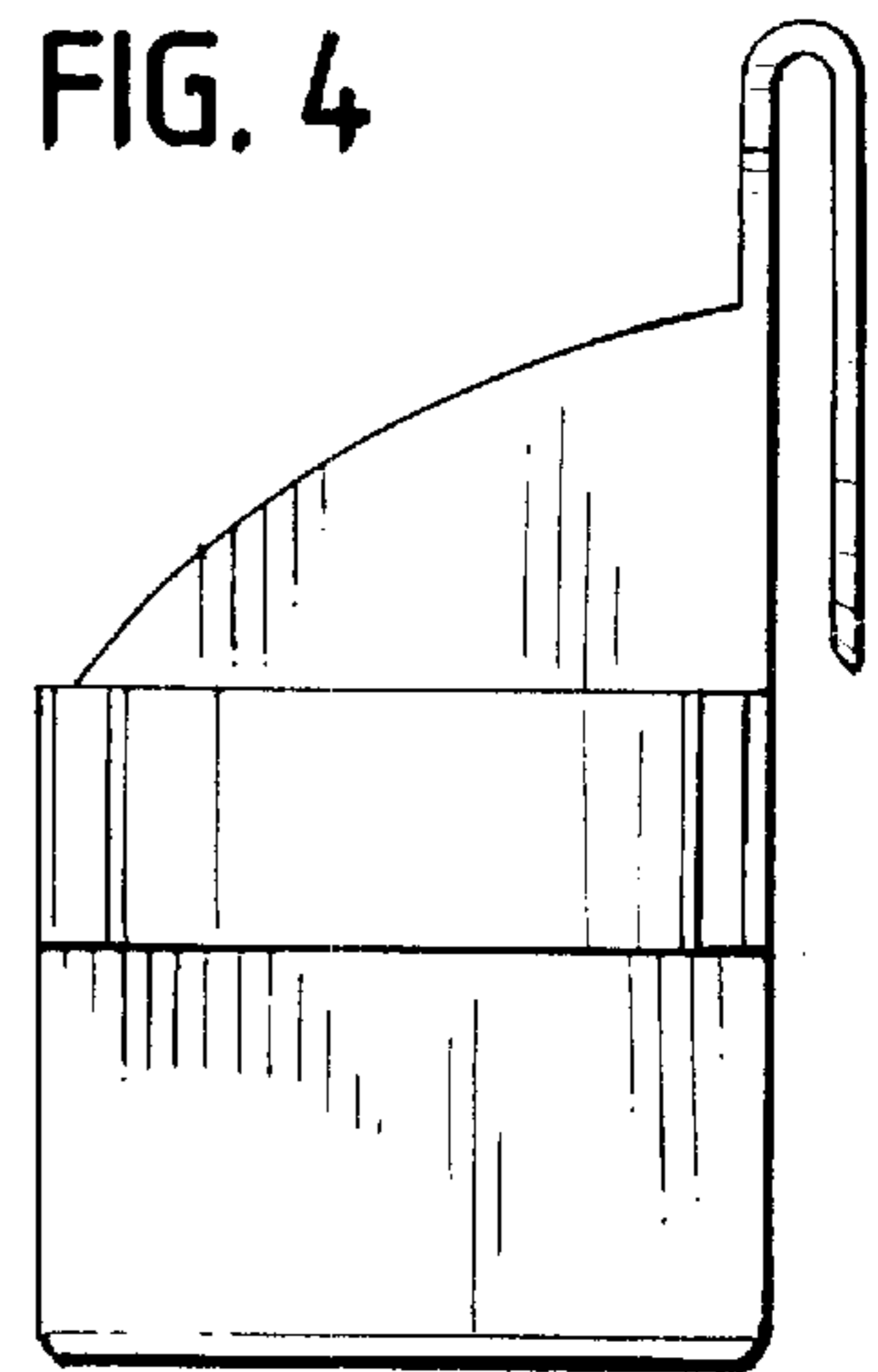


FIG. 5

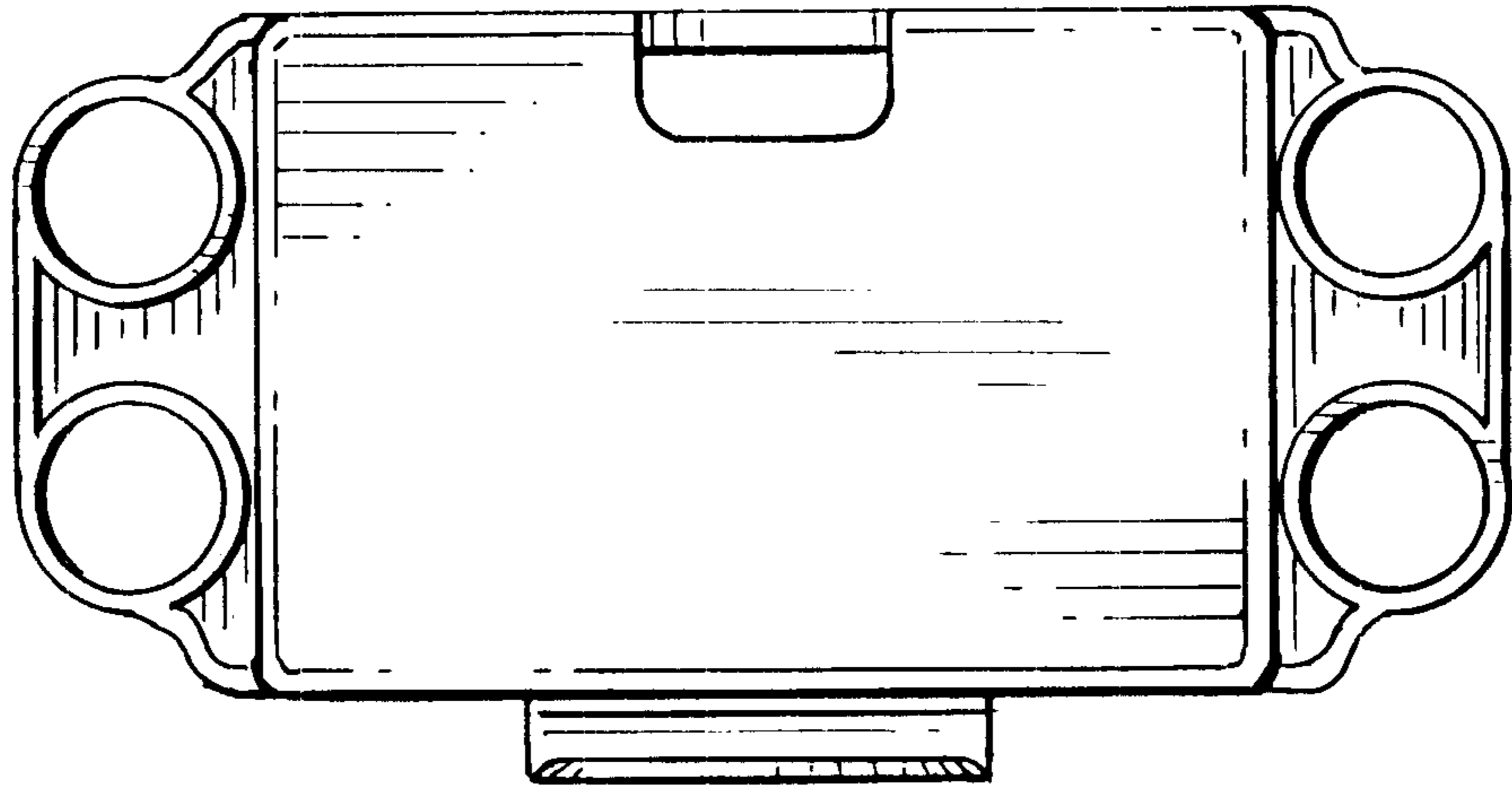


FIG. 6

