



US00D463116S

(12) **United States Design Patent**
Smith

(10) **Patent No.:** **US D463,116 S**

(45) **Date of Patent:** **** Sep. 24, 2002**

(54) **CARRYING CASE**

D455,547 S * 4/2002 Hillman D3/219
D456,989 S * 5/2002 Carothers et al. D3/226

(75) Inventor: **Richard D. Smith**, Torrance, CA (US)

* cited by examiner

(73) Assignee: **A.L.S. Industries, Inc.**, Torrance, CA (US)

Primary Examiner—Catherine R. Oliver
(74) *Attorney, Agent, or Firm*—Marshall A. Lerner, Esq.;
Finn T. Simmenssen, Esq.; Kleinberg & Lerner, LLP

(**) Term: **14 Years**

(57) **CLAIM**

(21) Appl. No.: **29/153,462**

The ornamental design for a carrying case, as shown and described.

(22) Filed: **Jan. 4, 2002**

(51) **LOC (7) Cl.** **03-01**

(52) **U.S. Cl.** **D3/226**

(58) **Field of Search** D3/226, 224, 228,
D3/215, 219, 232, 233, 248, 267; 224/908,
909, 240, 245, 236; 150/116, 119

DESCRIPTION

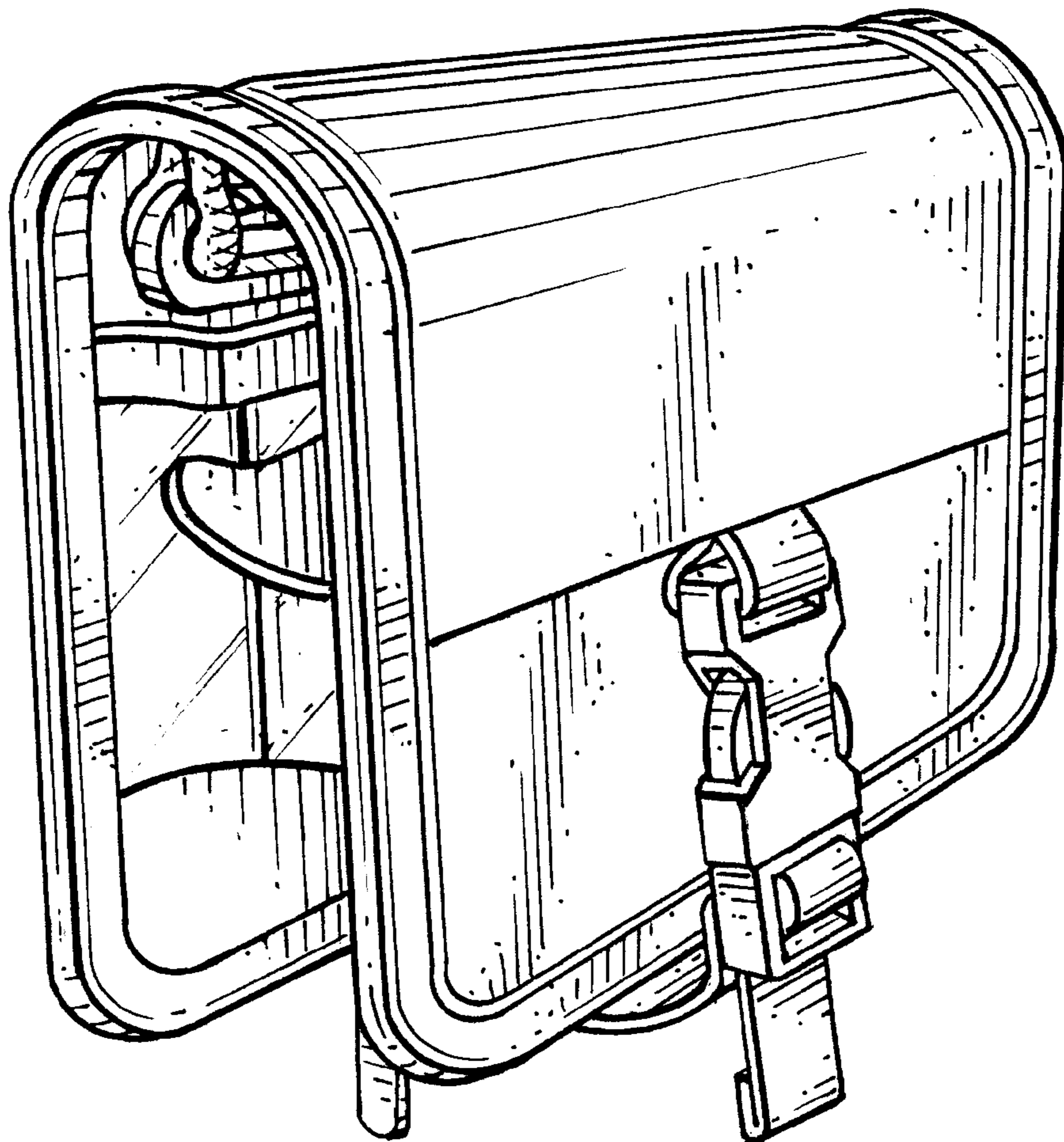
(56) **References Cited**

U.S. PATENT DOCUMENTS

D293,506 S * 1/1988 Kappel et al. D3/267
D429,562 S * 8/2000 Lau D3/226
D442,777 S * 5/2001 Smith D3/226

FIG. 1 is a perspective view of the carrying case showing my new design;
FIG. 2 is a front elevational view thereof;
FIG. 3 is a left side elevational view thereof;
FIG. 4 is a right side elevational view thereof;
FIG. 5 is a rear elevational view thereof;
FIG. 6 is a top plan view thereof; and,
FIG. 7 is a bottom plan view.

1 Claim, 2 Drawing Sheets



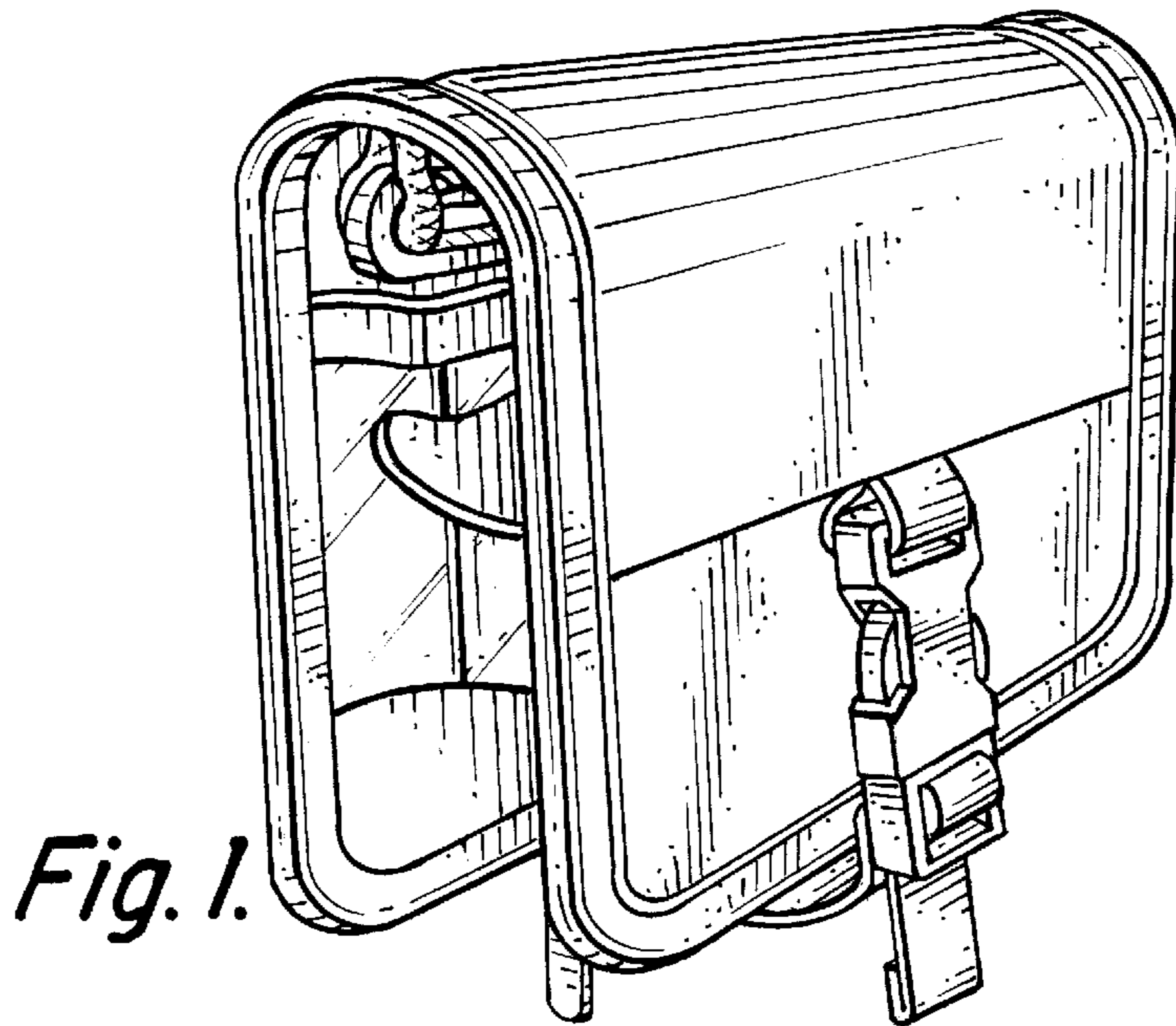


Fig. 1.

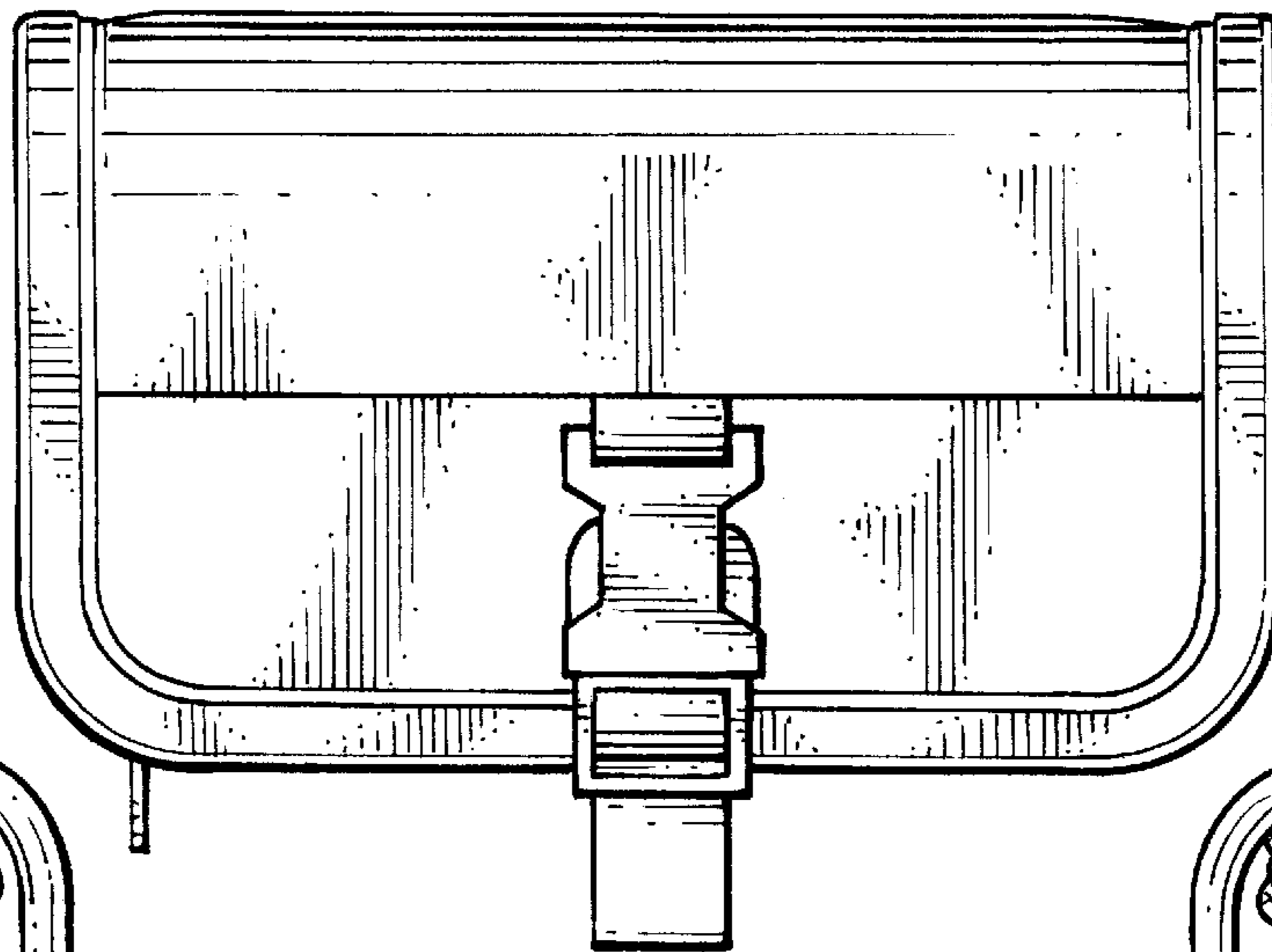


Fig. 2.

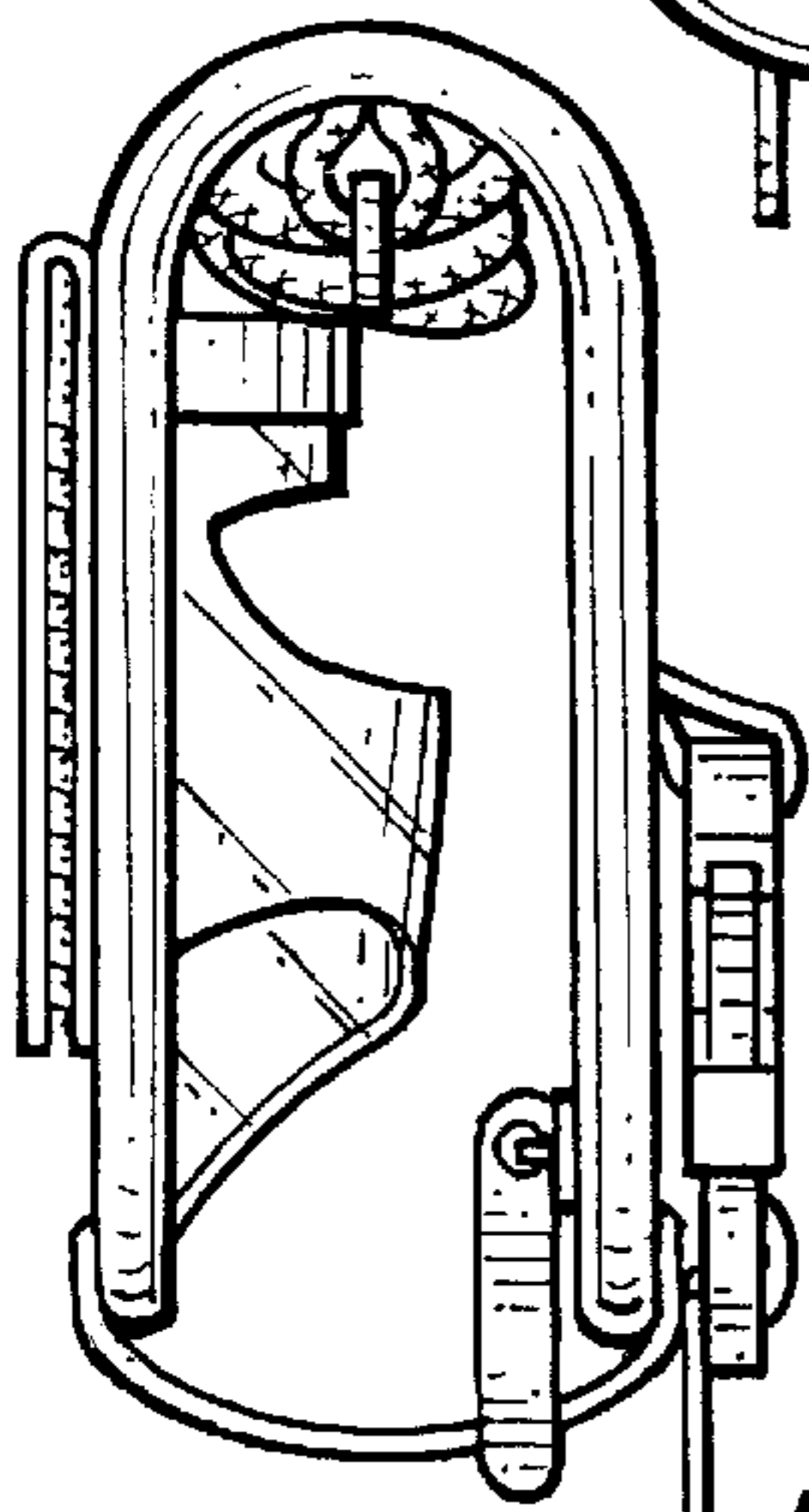


Fig. 3.

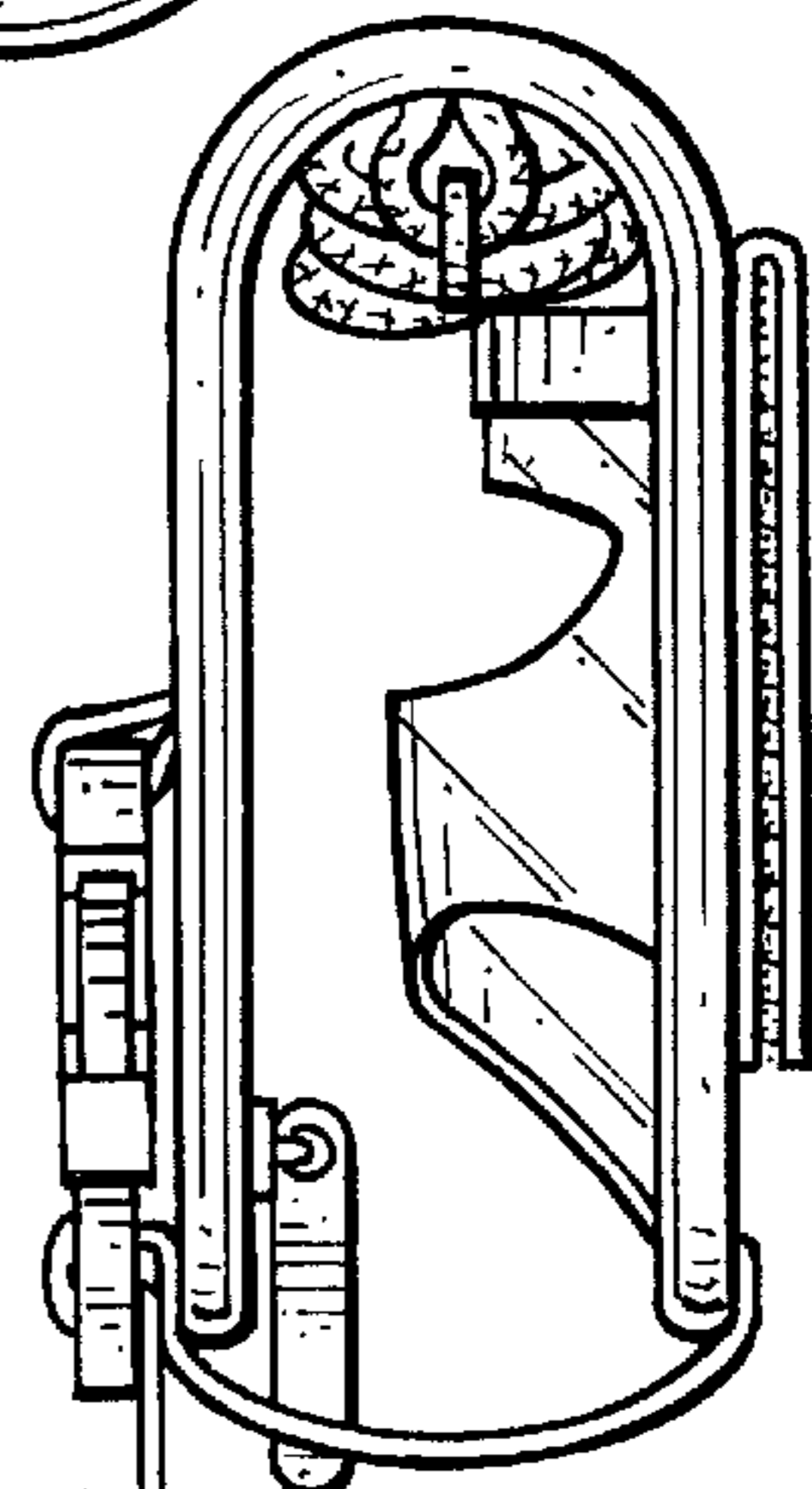


Fig. 4.

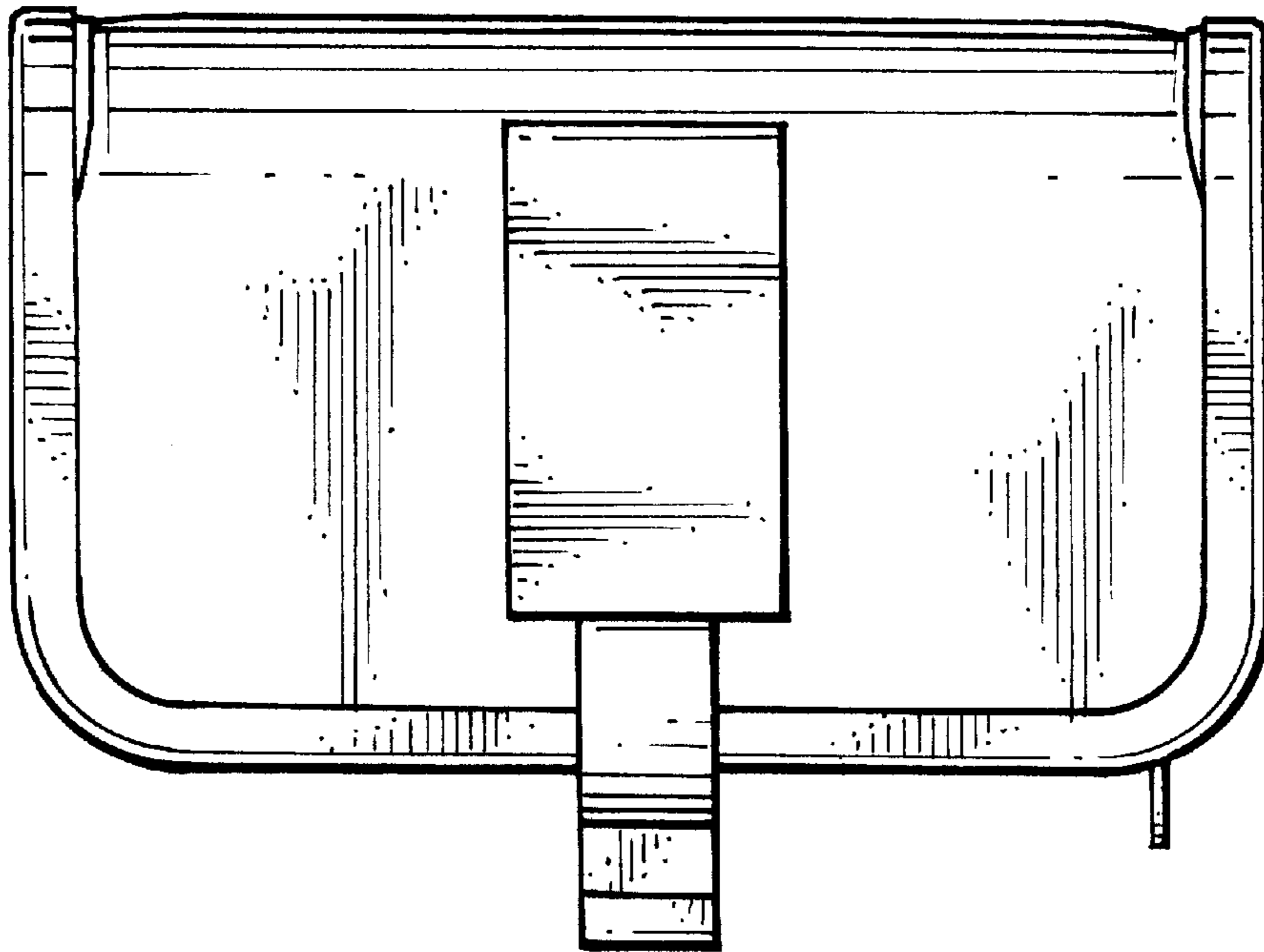


Fig. 5.

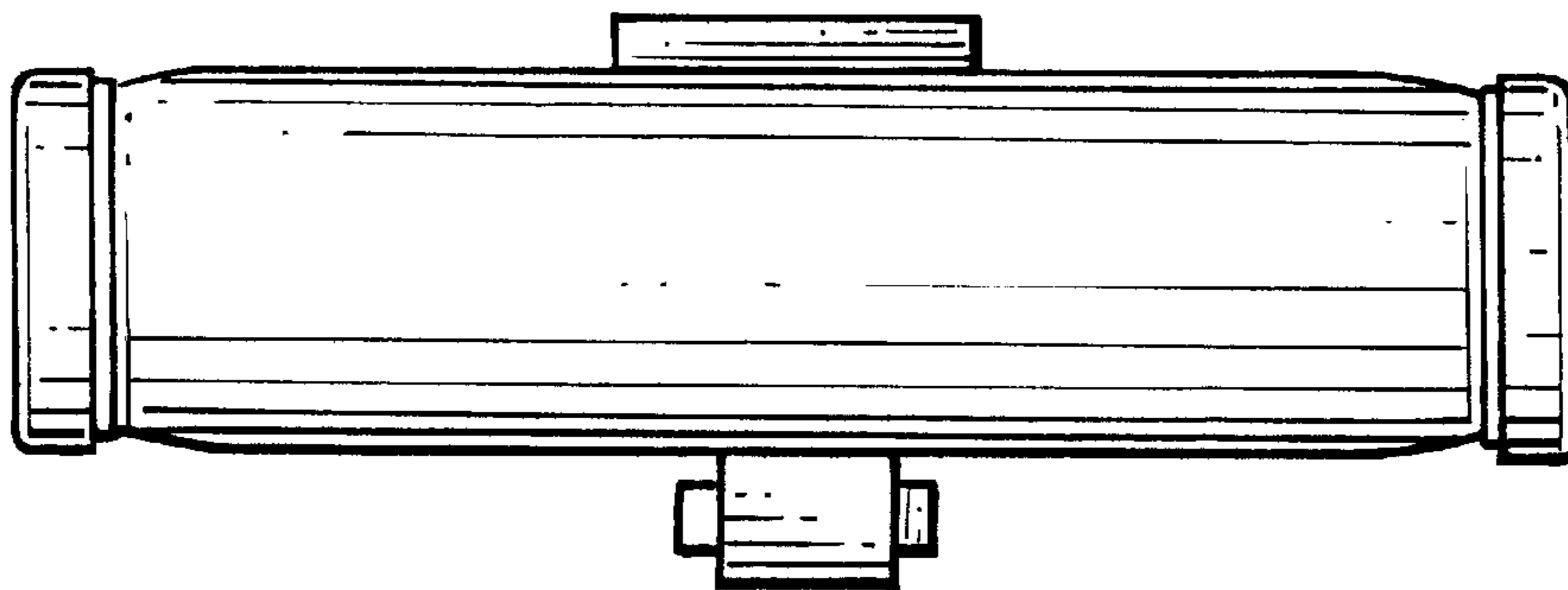


Fig. 6.

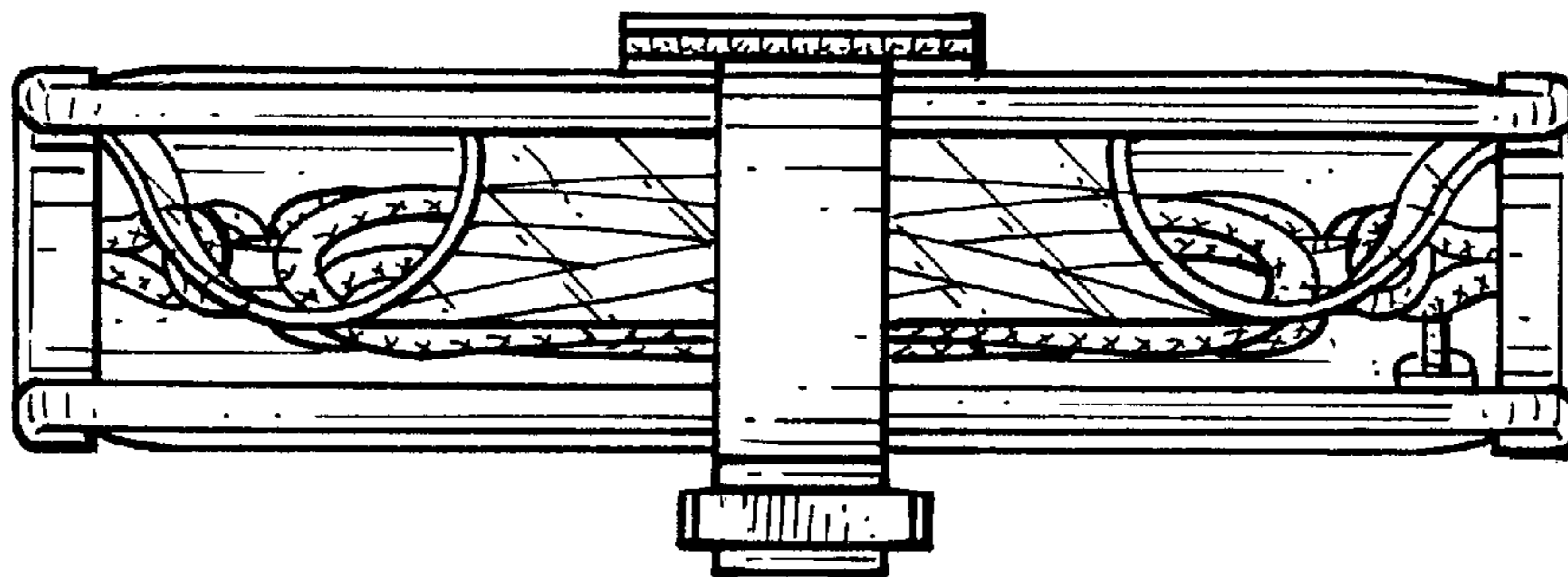


Fig. 7.