



US00D463114S

(12) **United States Design Patent**
Carter

(10) **Patent No.:** **US D463,114 S**

(45) **Date of Patent:** **** Sep. 24, 2002**

(54) **CARRYING CASE WITH DETACHABLE SPEAKERS**

Primary Examiner—Catherine R. Oliver
(74) *Attorney, Agent, or Firm*—DeWitt M. Morgan

(76) **Inventor:** **James M. Carter**, P.O. Box 3478, Las Cruces, NM (US) 88003

(57) **CLAIM**

(**) **Term:** **14 Years**

The ornamental design for carrying case with detachable speakers, as shown and described.

(21) **Appl. No.:** **29/148,239**

DESCRIPTION

(22) **Filed:** **Sep. 11, 2001**

FIG. 1 is a front perspective view of the invention;

(51) **LOC (7) Cl.** **03-01**

FIG. 2 is the front view of the invention;

(52) **U.S. Cl.** **D3/218**

FIG. 3 is the rear view of the invention;

(58) **Field of Search** D3/218, 215, 204,
D3/272, 273, 285, 286, 287, 289, 905;
455/345, 346; 224/418, 431, 682

FIG. 4 is the right side view of the invention;

FIG. 5 is the left side view of the invention;

FIG. 6 is the top view of the invention; and,

FIG. 7 is the bottom view of the invention.

(56) **References Cited**

The broken lines are included to show the environment with which the design is associated, and are not a part of the claimed design.

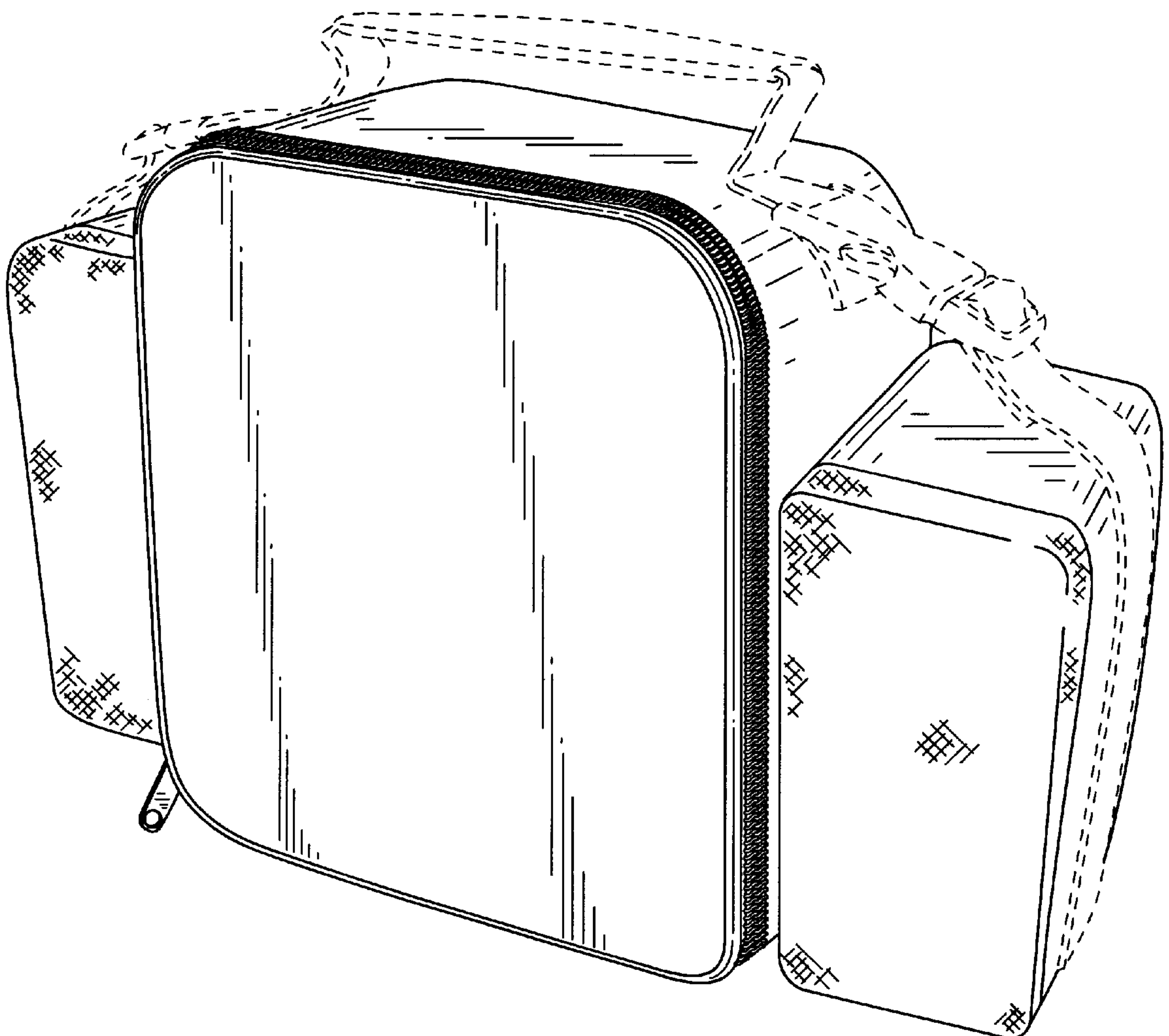
U.S. PATENT DOCUMENTS

D416,680 S * 11/1999 Latshaw D3/286

D428,255 S * 7/2000 Kandalepas D3/301

* cited by examiner

1 Claim, 4 Drawing Sheets



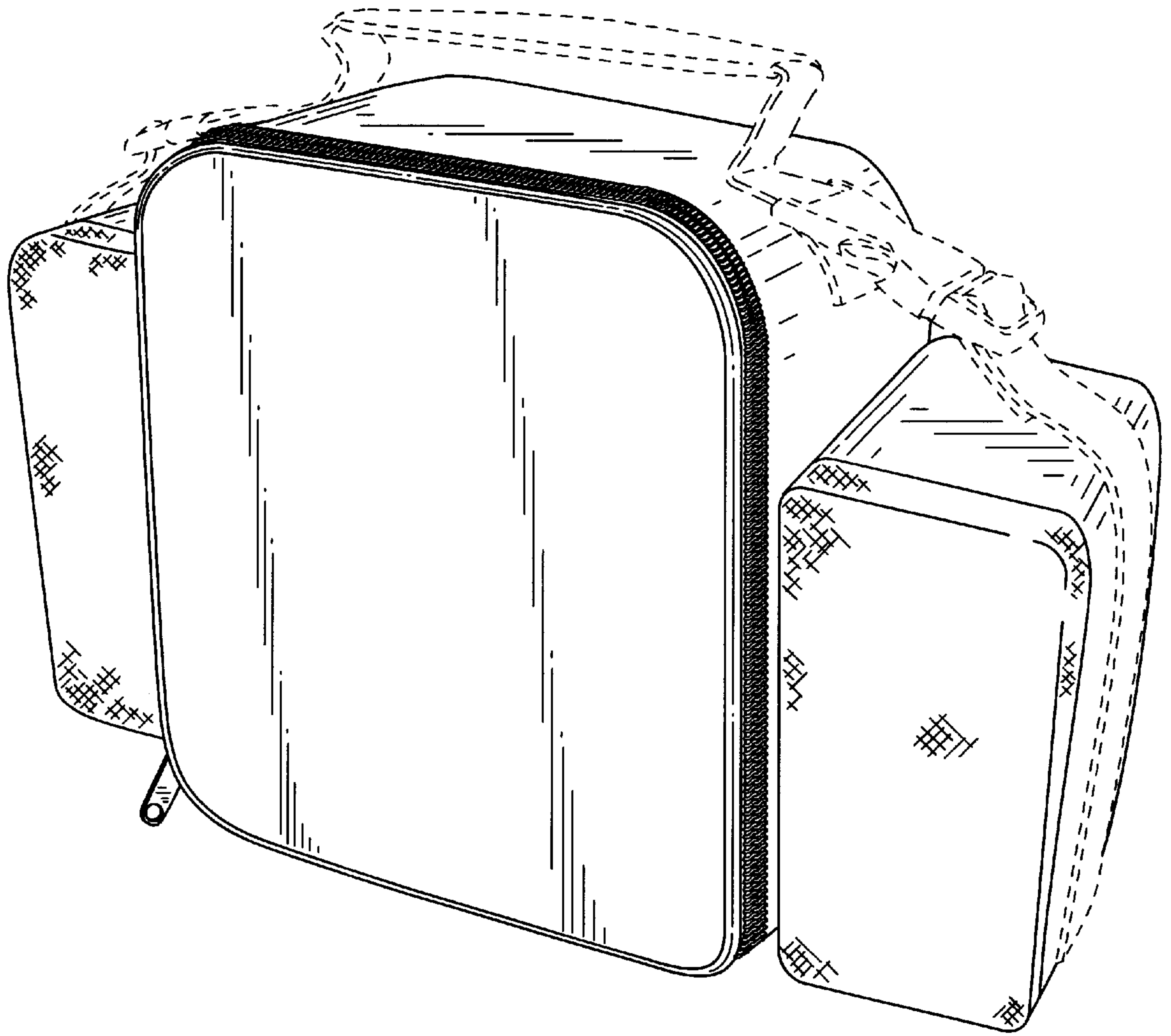


FIG. 1

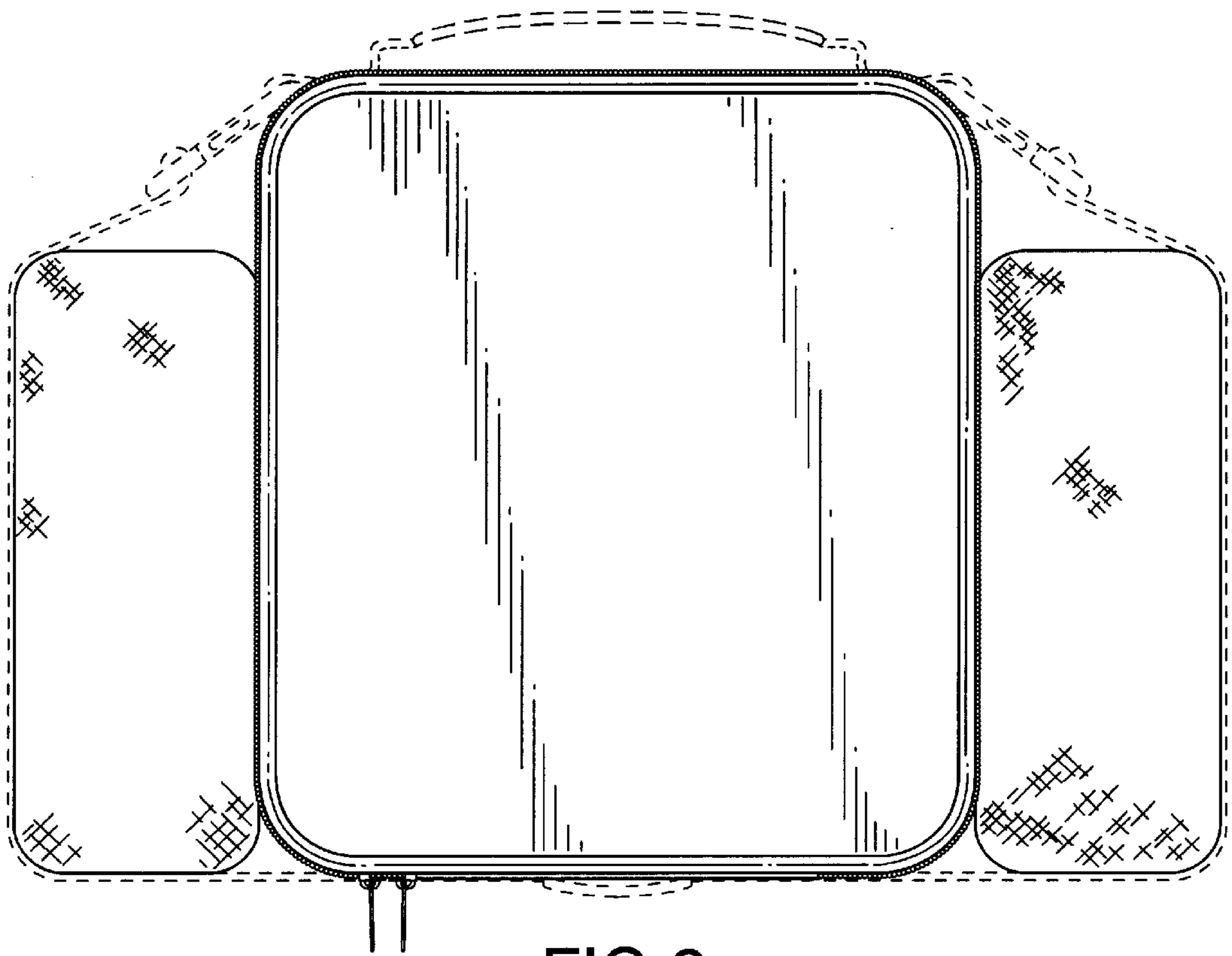


FIG. 2

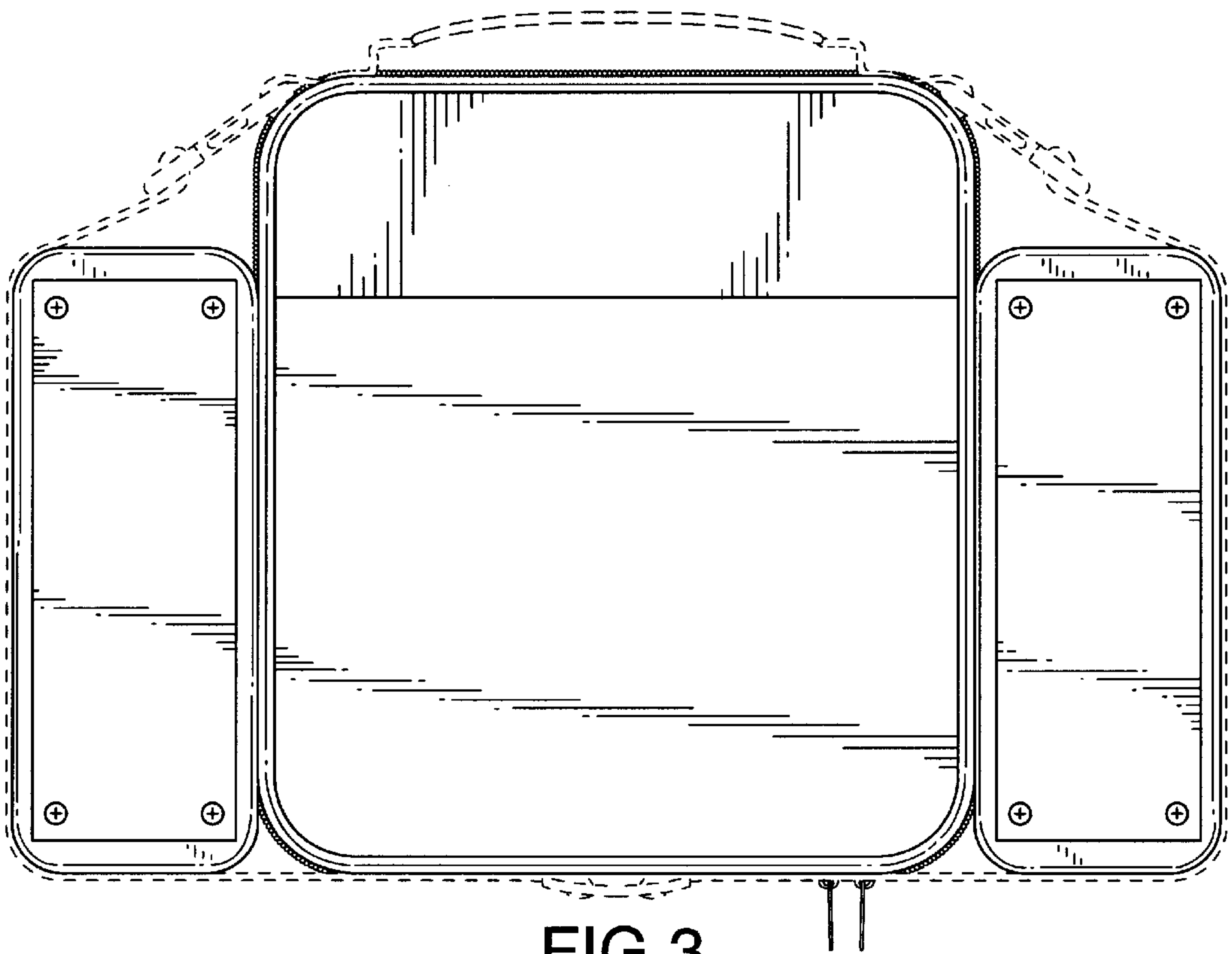


FIG. 3

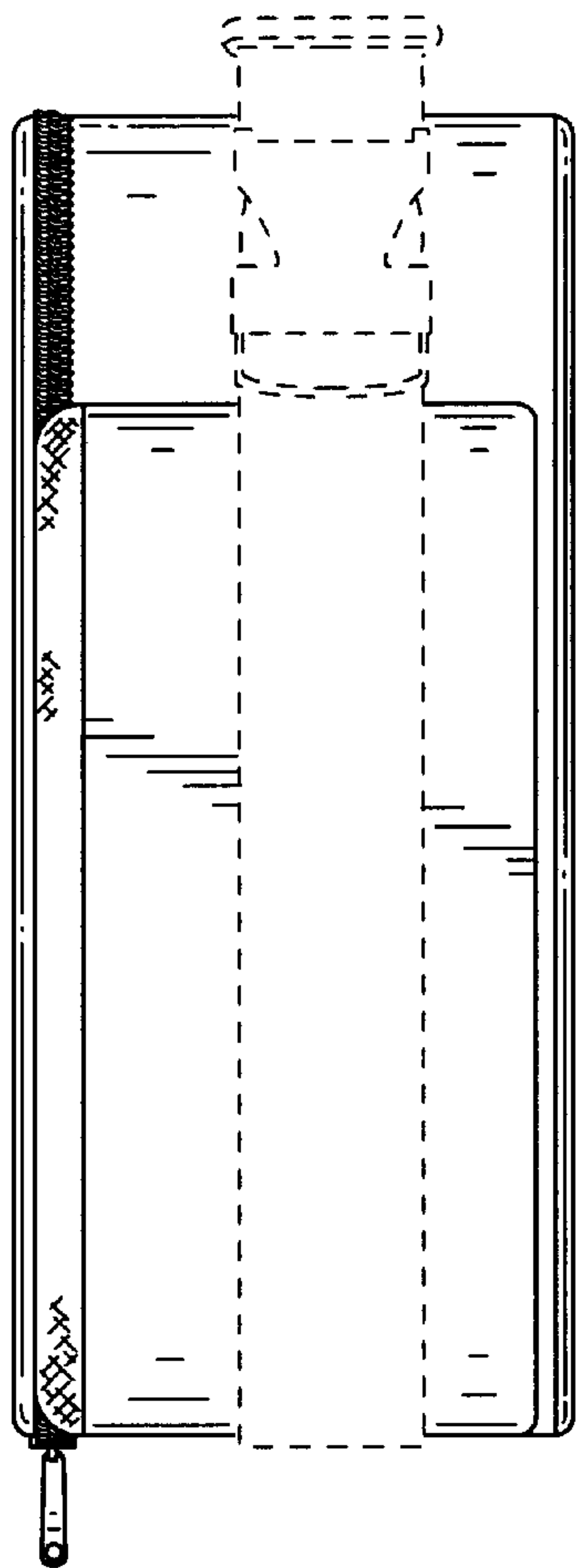


FIG. 4

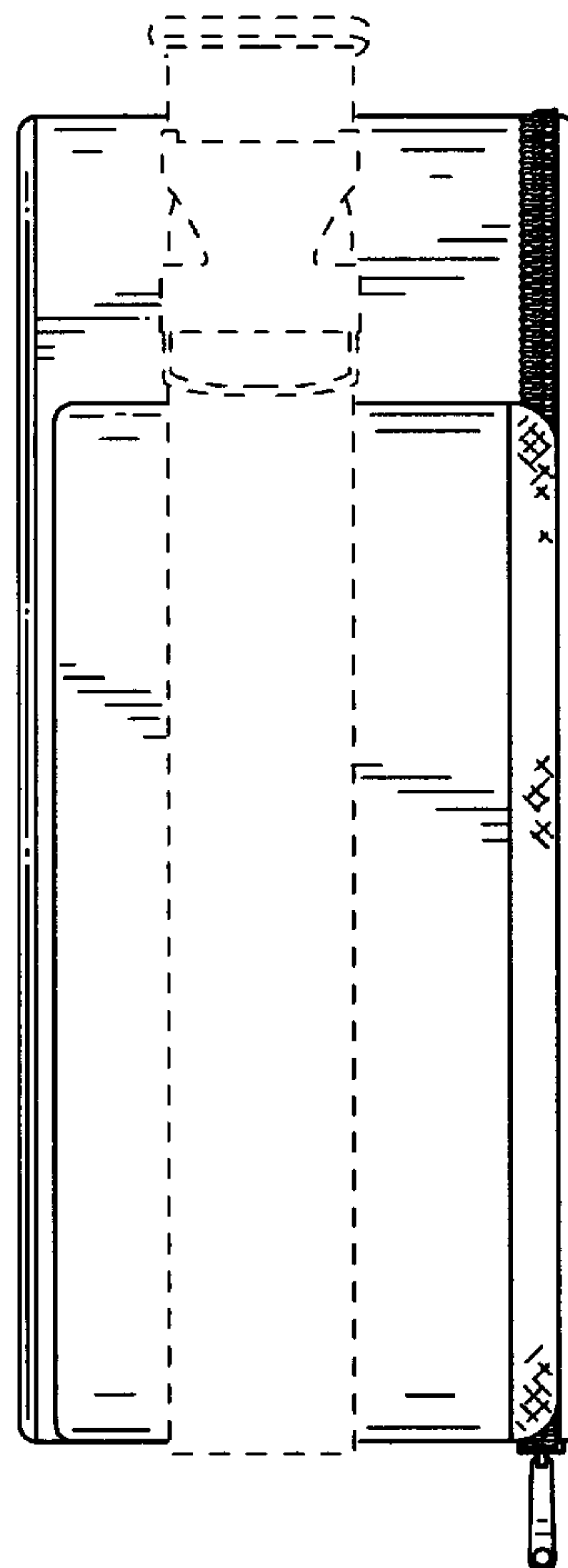


FIG. 5

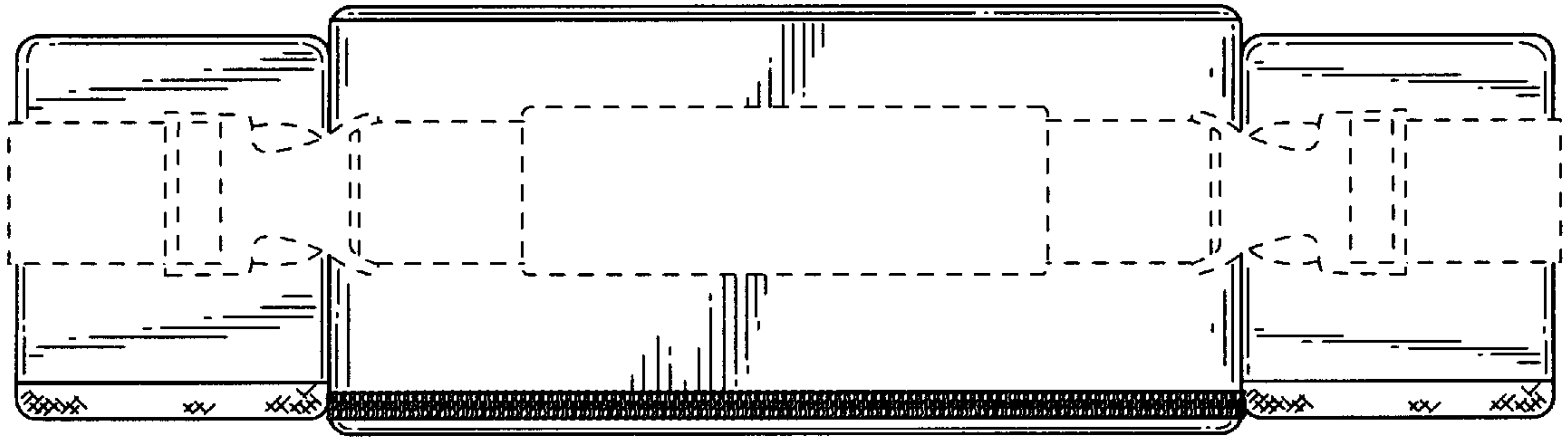


FIG. 6

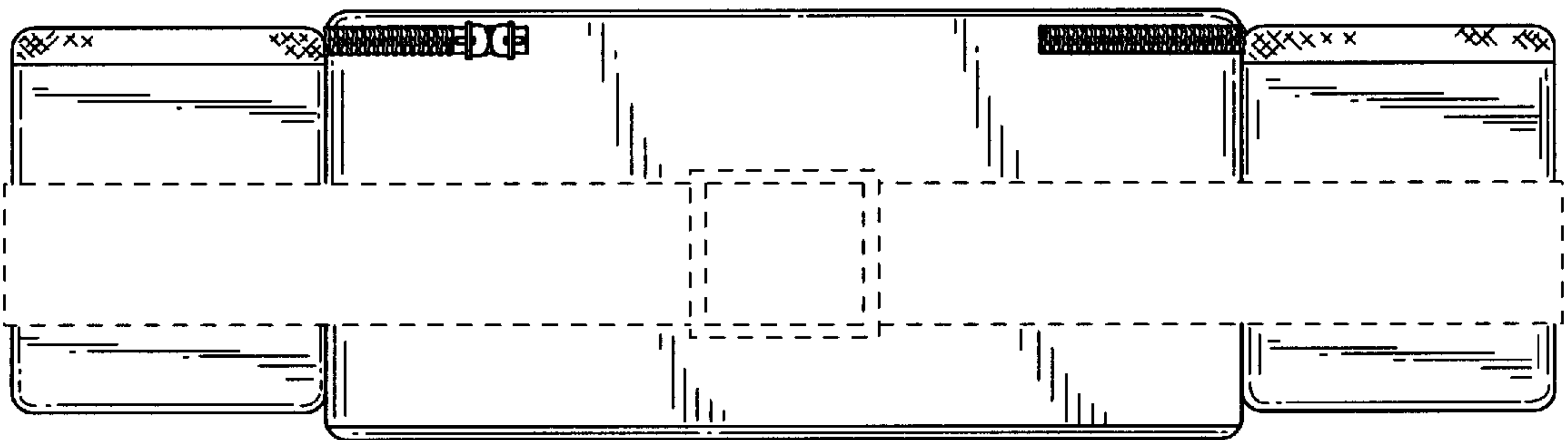


FIG. 7