



US00D463113S

(12) **United States Design Patent**
Hassett

(10) **Patent No.:** **US D463,113 S**

(45) **Date of Patent:** **** Sep. 24, 2002**

(54) **CD PLAYER CASE AND ATTACHED BELT**

Primary Examiner—Catherine R. Oliver
(74) *Attorney, Agent, or Firm*—Sheridan Ross P.C.

(75) **Inventor:** **Eric Hassett**, Golden, CO (US)

(73) **Assignee:** **Case Logic, Inc**, Longmont, CO (US)

(57) **CLAIM**

(**) **Term:** **14 Years**

The ornamental design for a CD player case and attached belt, as shown and described.

(21) **Appl. No.:** **29/144,254**

(22) **Filed:** **Jun. 27, 2001**

DESCRIPTION

(51) **LOC (7) Cl.** **03-01**

FIG. 1 is a front perspective view of a CD player case and attached belt, showing my new design, the broken lines representing stitching and forming no part of my claimed design;

(52) **U.S. Cl.** **D3/218**

FIG. 2 is a front elevation view of the invention illustrated in FIG. 1;

(58) **Field of Search** D3/218, 215, 224,
D3/226, 219, 232, 233; D6/407, 631-634;
224/240, 901, 904, 236, 914

FIG. 3 is a left elevation view of the invention illustrated in FIG. 1;

(56) **References Cited**

U.S. PATENT DOCUMENTS

D414,929 S	*	10/1999	Brucki	D3/226
D434,897 S	*	12/2000	Hillman	D3/218
D437,111 S	*	2/2001	Bergh	D3/218
D437,172 S	*	2/2001	Hillman	D6/633
D442,777 S	*	5/2001	Smith	D3/226

FIG. 4 is a right elevation view of the invention illustrated in FIG. 1;

OTHER PUBLICATIONS

Case Logic Spring 2000 Catalog, pp. 3 and 12.
Home & Office Solutions for the 21st Century, Fellowes Catalog, pp. 113, 115 and 116.
cdProjects Millennium² Catalog, pp. 3, 7, 8, 10 and 20.

FIG. 5 is a top plan view of the invention illustrated in FIG. 1;

FIG. 6 is a bottom plan view of the invention illustrated in FIG. 1; and

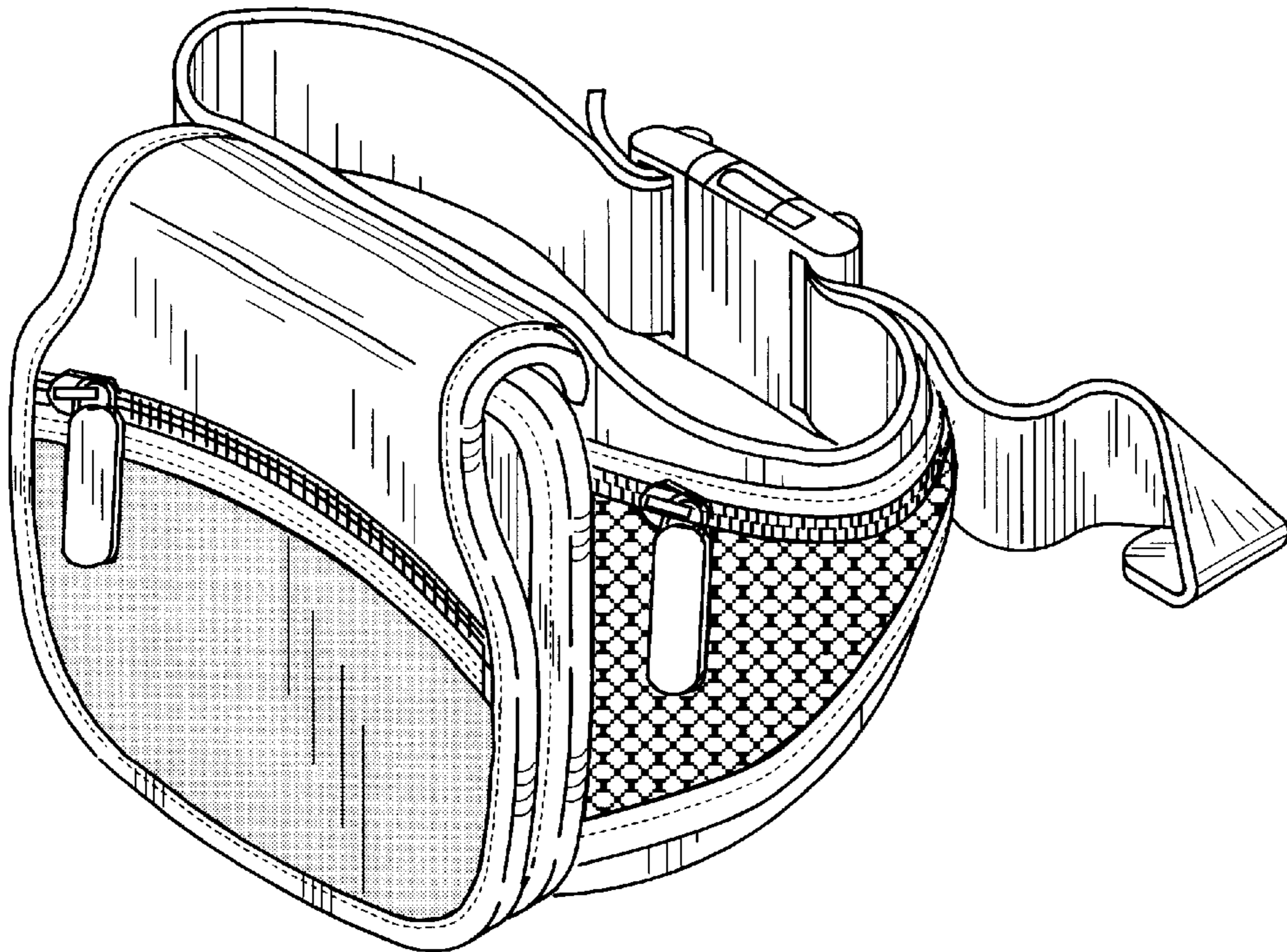
FIG. 7 is a rear elevation view of the invention illustrated in FIG. 1; and,

FIG. 8 is a front perspective view of the invention shown in FIG. 1 with a front flap shown in an open position.

The broken line showing of environment are for illustrative purposes only and forms no part of the claimed design.

* cited by examiner

1 Claim, 2 Drawing Sheets



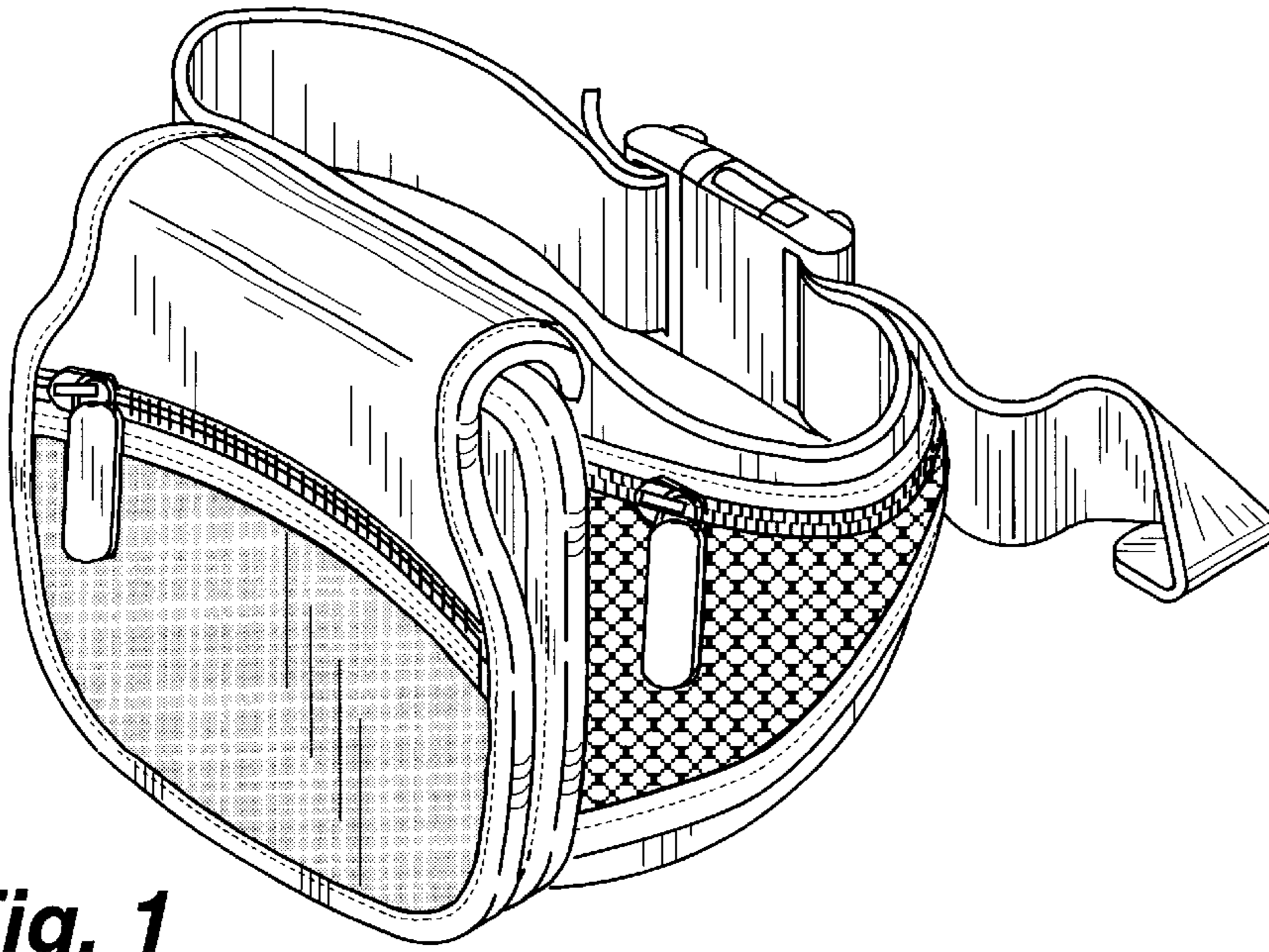


Fig. 1

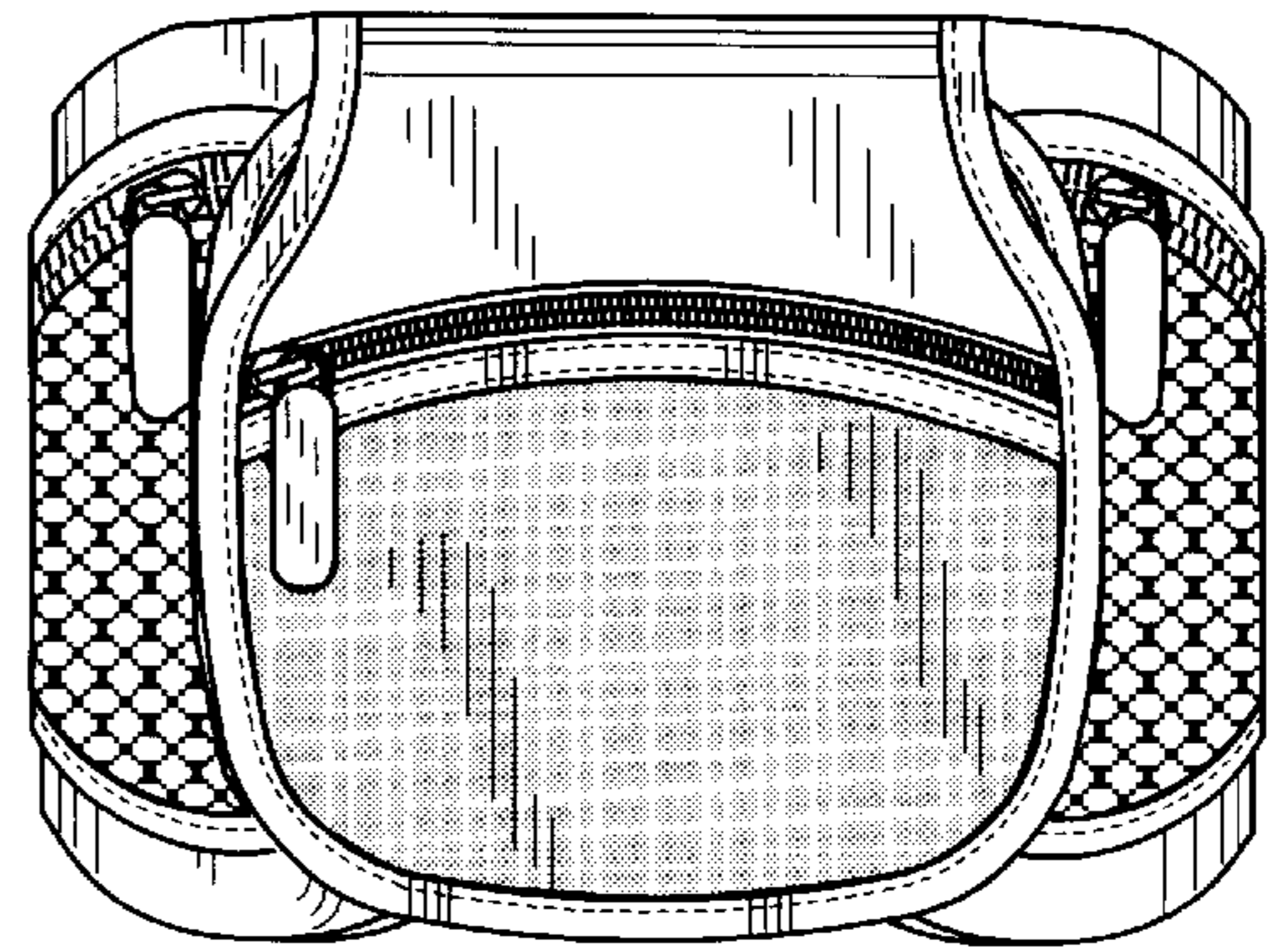


Fig. 2

Fig. 3

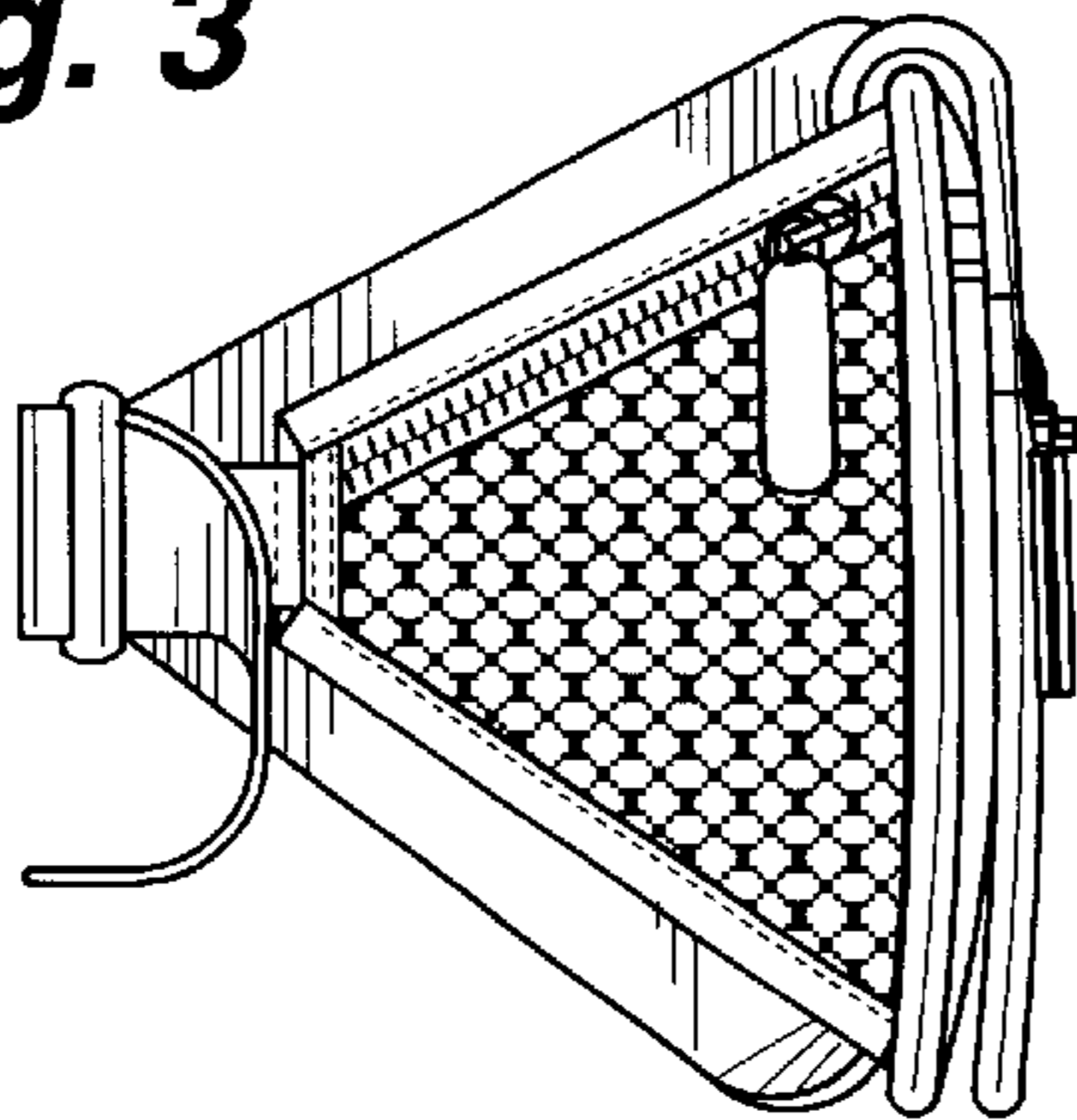
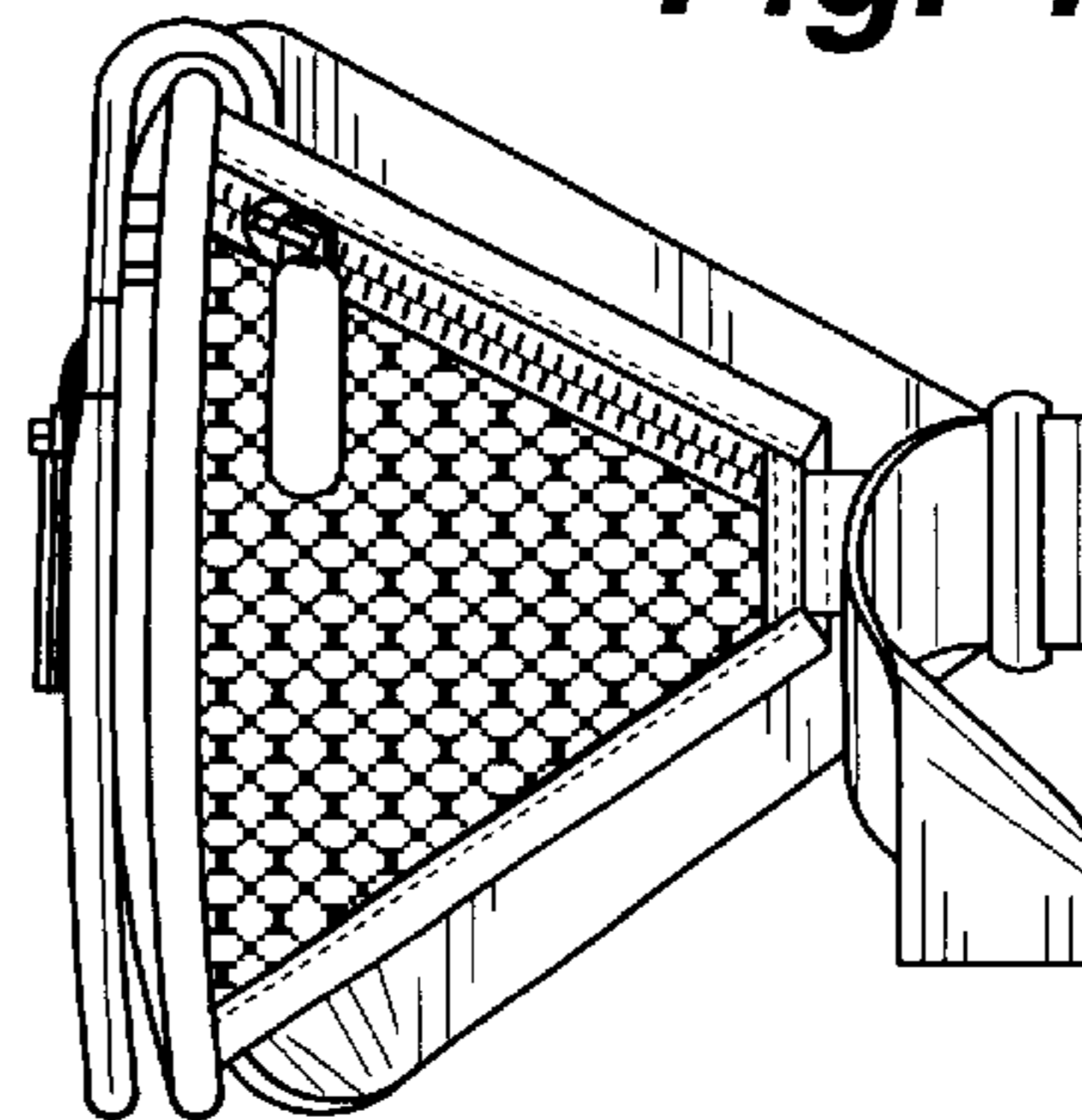


Fig. 4



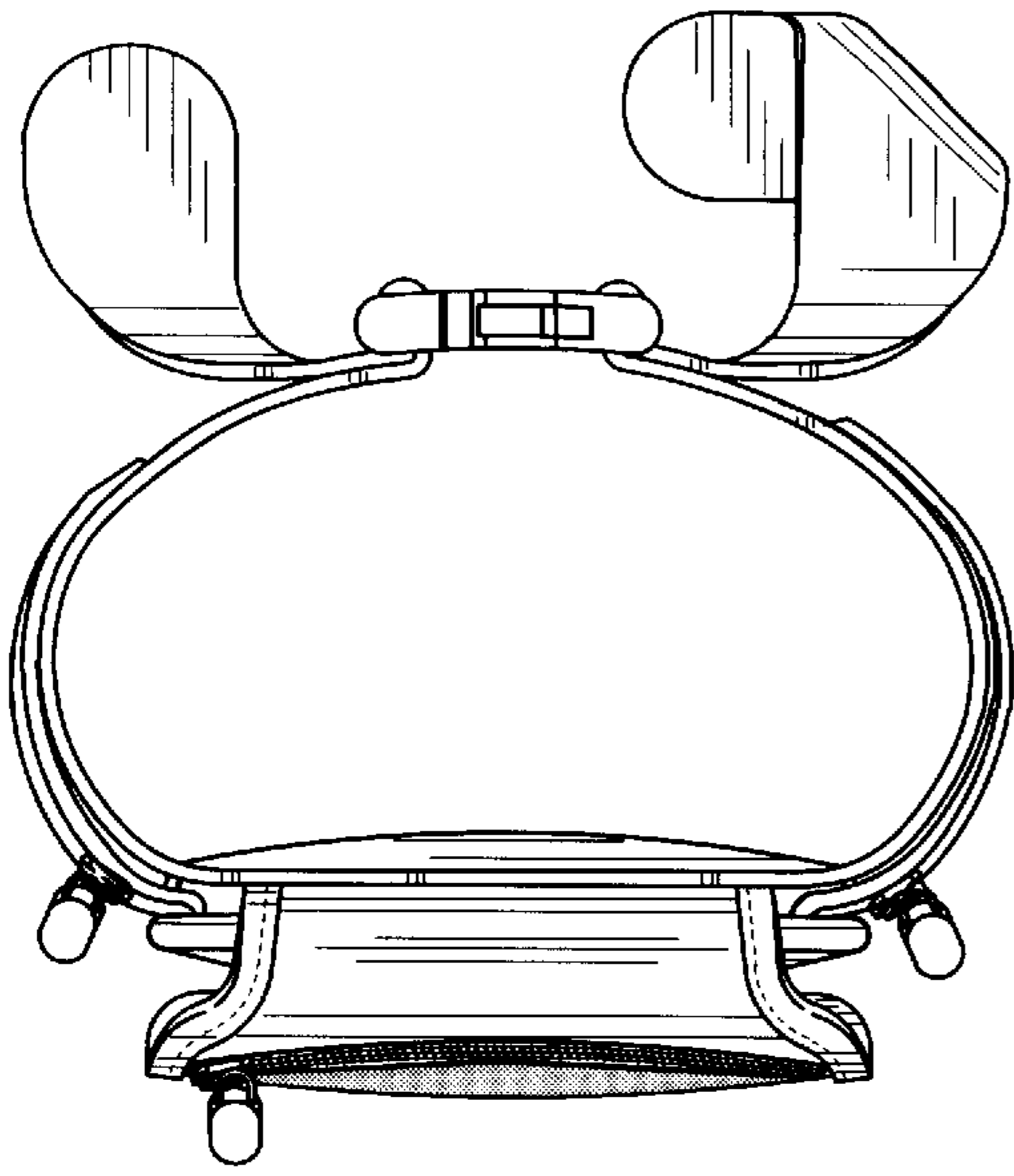


Fig. 5

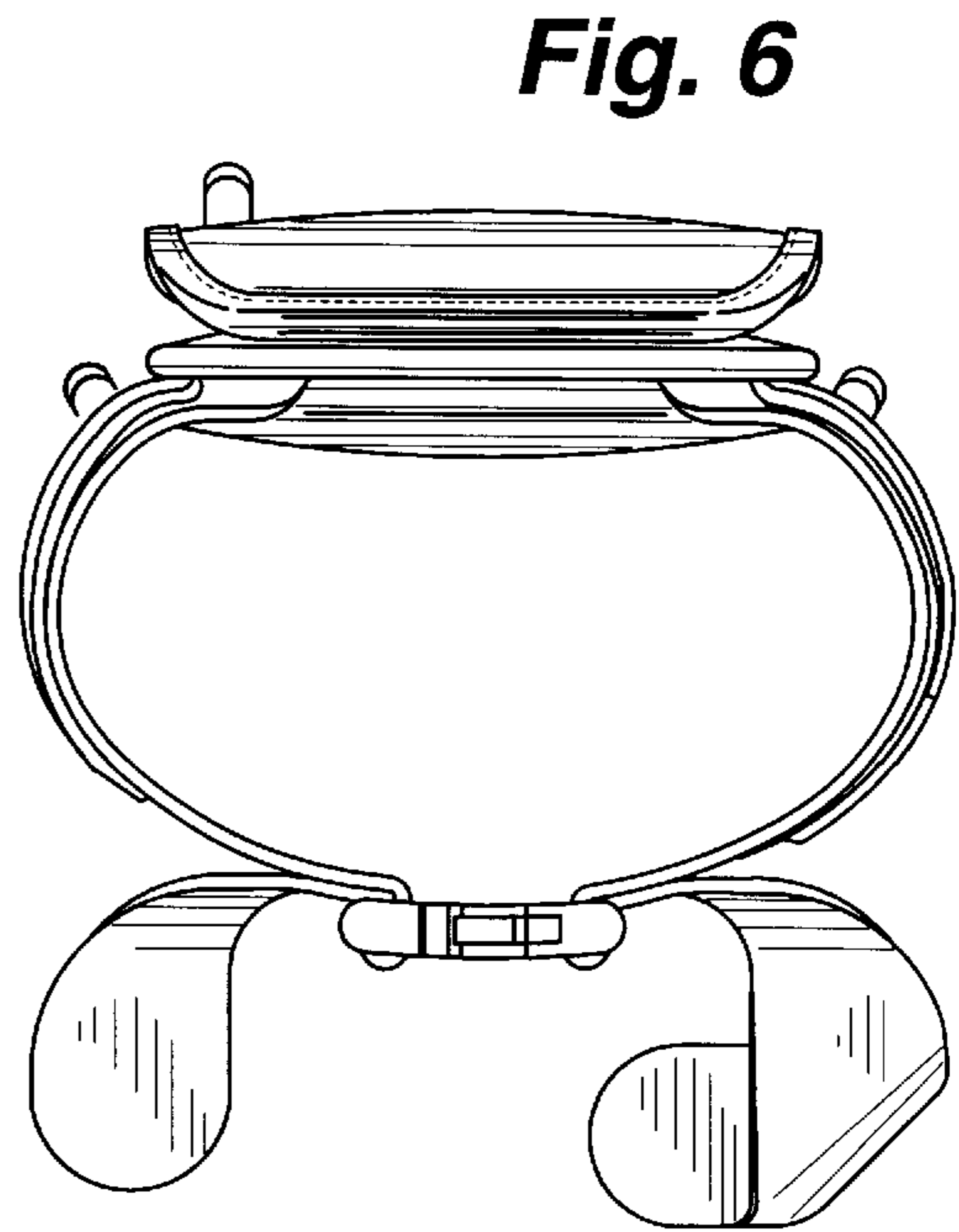


Fig. 6

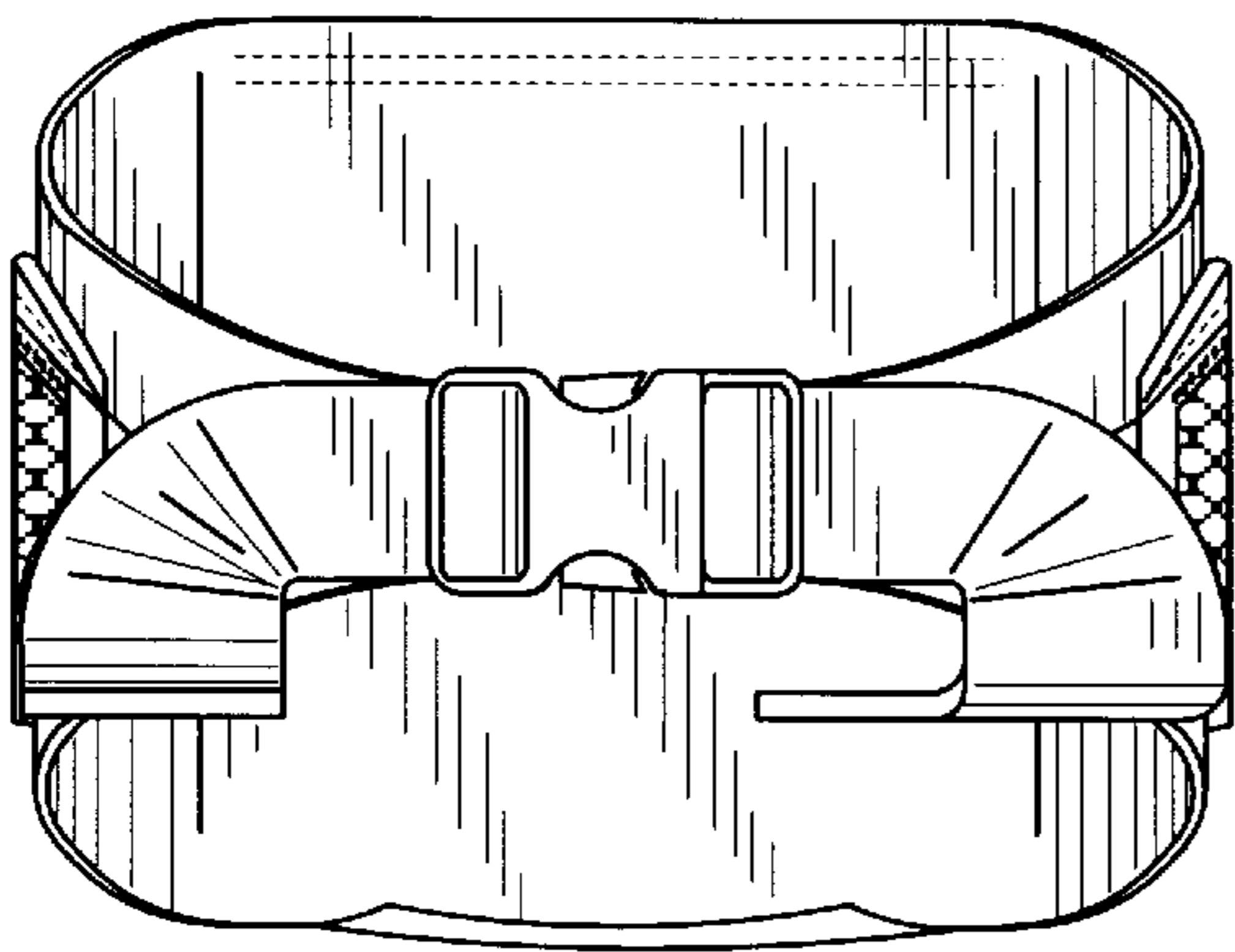


Fig. 7

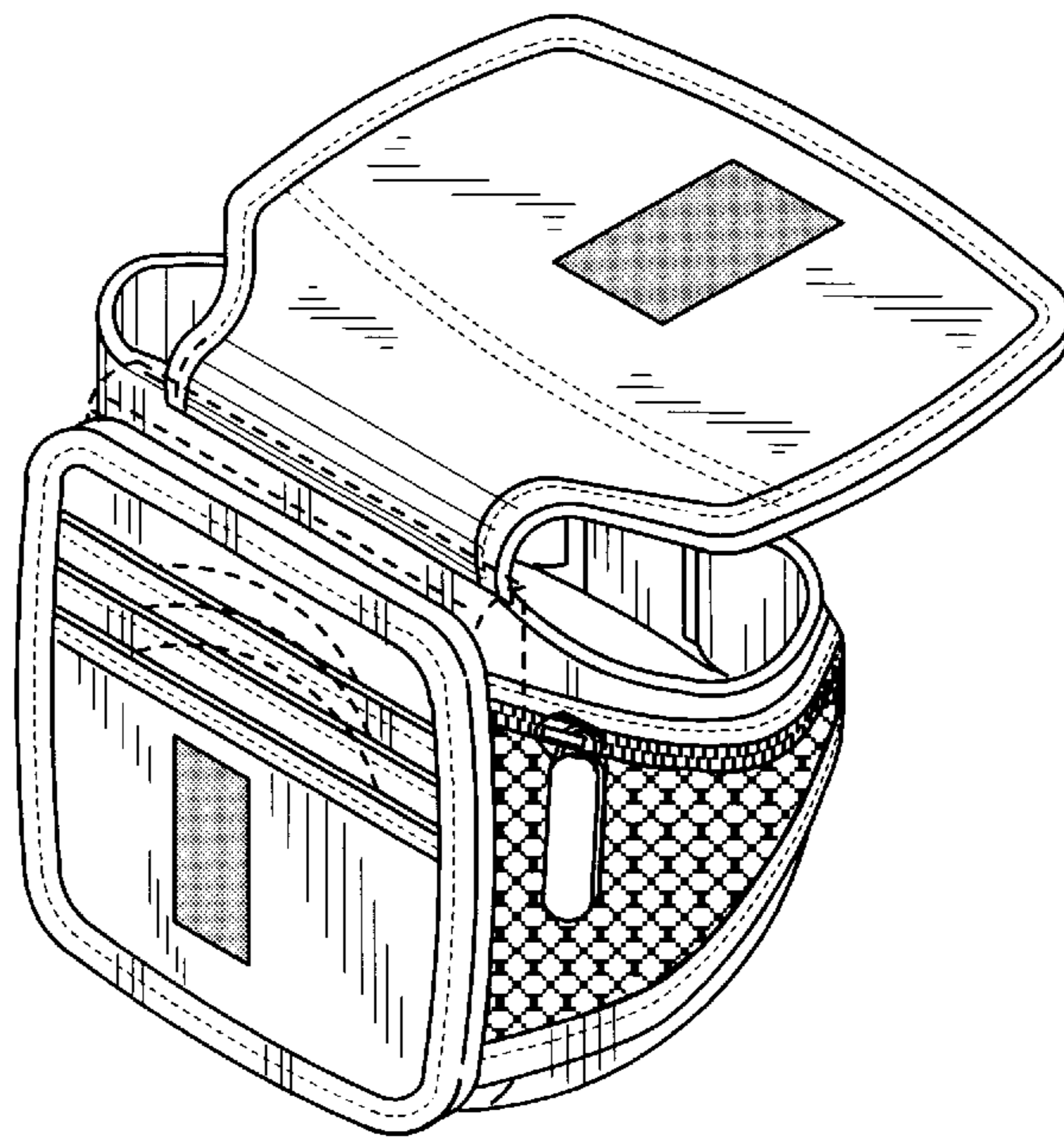


Fig. 8