



US00D463105S

(12) **United States Design Patent**  
**Tsai**

(10) **Patent No.:** **US D463,105 S**

(45) **Date of Patent:** **\*\* Sep. 24, 2002**

(54) **KEY RING**

(75) **Inventor:** **Hai Pin Tsai**, Kowloon (HK)

(73) **Assignee:** **Tombo Industries Co., Ltd.**, Hong Kong (HK)

(\*\*) **Term:** **14 Years**

(21) **Appl. No.:** **29/149,957**

(22) **Filed:** **Oct. 24, 2001**

(51) **LOC (7) Cl.** ..... **03-11**

(52) **U.S. Cl.** ..... **D3/207**

(58) **Field of Search** ..... D3/207-211; 70/456 R,  
70/456 B, 459; D26/38, 46; D87/347; 24/3.6;  
D28/65

(56) **References Cited**

**U.S. PATENT DOCUMENTS**

3,186,052	A	*	6/1965	Bobrow	.....	24/3.6
D271,443	S	*	11/1983	MacDonald	.....	D3/207
D308,600	S	*	6/1990	Wischnowsky	.....	D3/207
5,058,405	A	*	10/1991	Stillwagon	.....	70/456 R
D324,452	S	*	3/1992	Stillwagon	.....	D3/207

5,209,090	A	*	5/1993	Stillwagon	.....	70/456 R
D360,750	S	*	8/1995	Stillwagon	.....	D3/207
D374,745	S	*	10/1996	Harris	.....	D28/65
5,752,401	A	*	5/1998	MacDonald	.....	70/459
D411,036	S	*	6/1999	Barnes	.....	D3/208

\* cited by examiner

*Primary Examiner*—Ralf Seifert

(74) *Attorney, Agent, or Firm*—Burns, Doane, Swecker & Mathis, L.L.P.

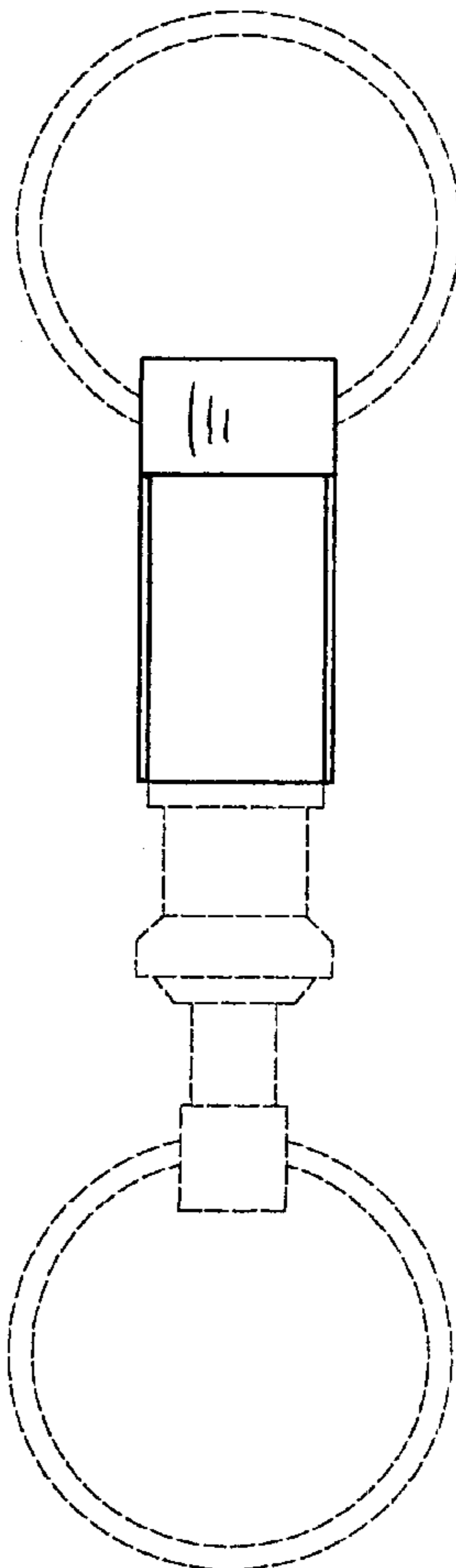
(57) **CLAIM**

The ornamental design for a key ring, as shown and described.

**DESCRIPTION**

FIG. 1 is front view of a key ring showing my new design, the rear view being identical;  
FIG. 2 is side elevation view thereof, the other side being identical;  
FIG. 3 is a top plan view thereof; and,  
FIG. 4 is bottom plan view thereof.  
All portions shown in broken lines are for illustrative purposes only and form no part of the claimed design.

**1 Claim, 1 Drawing Sheet**



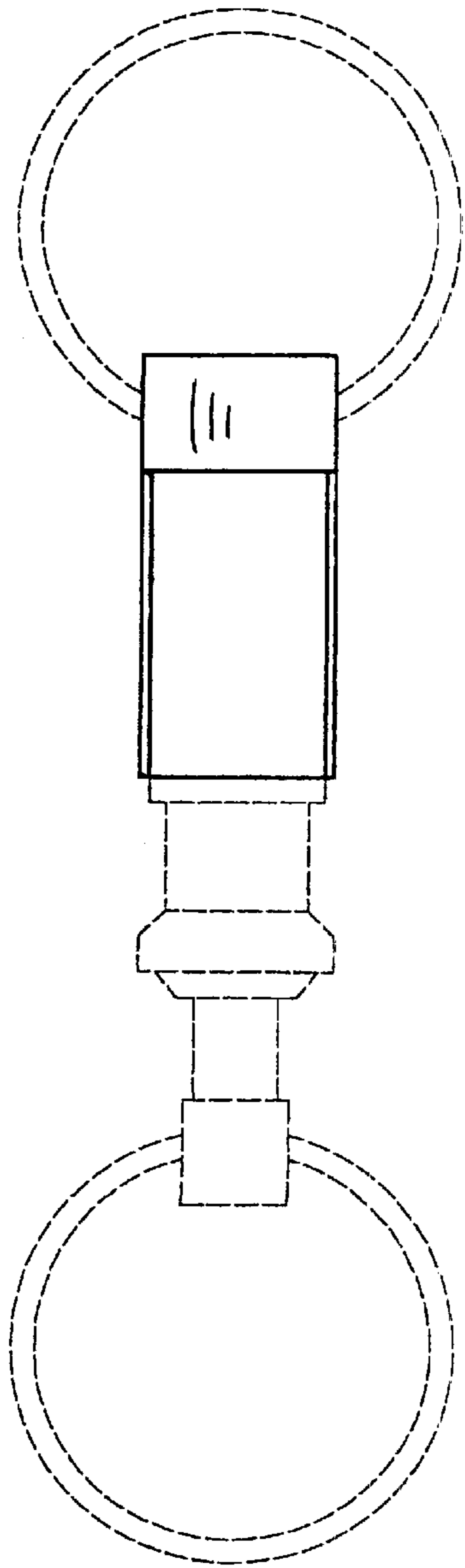


FIG. 1

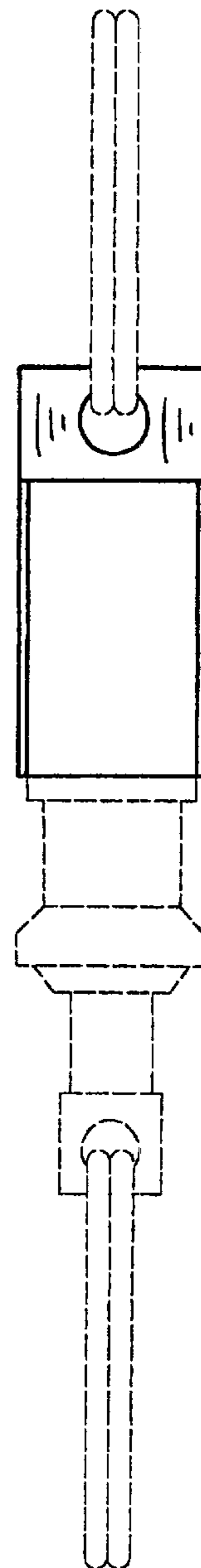


FIG. 2

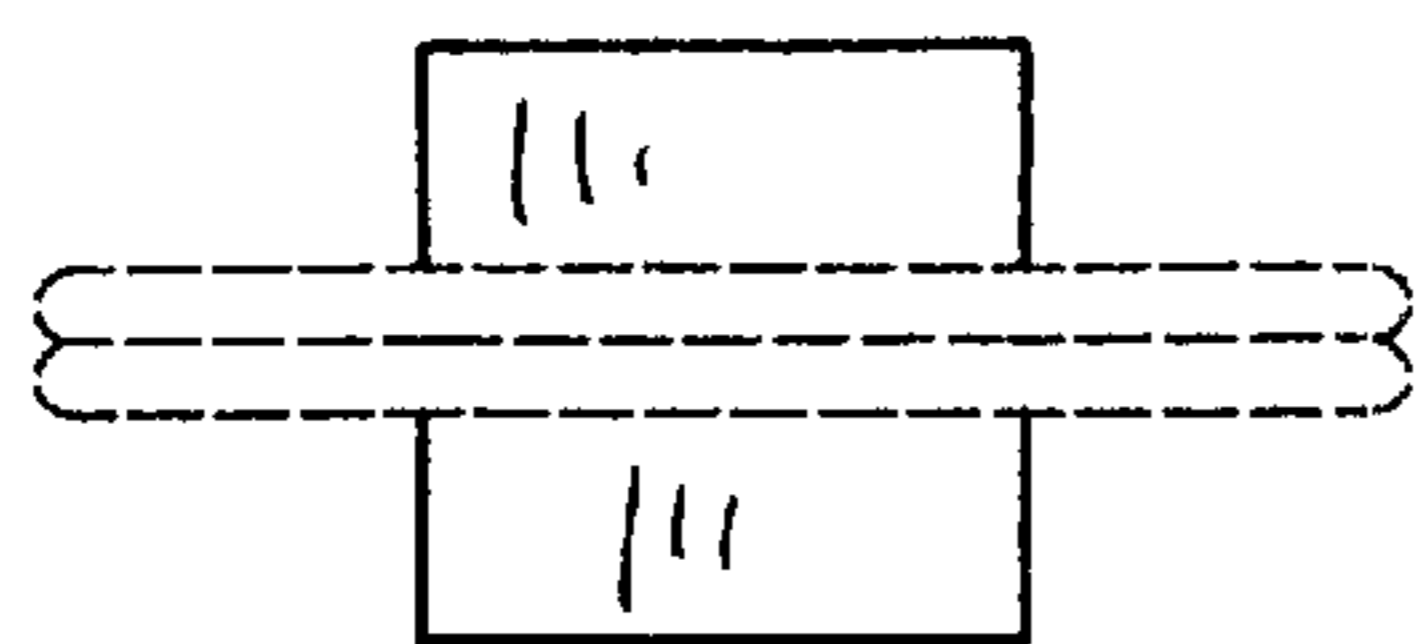


FIG. 3

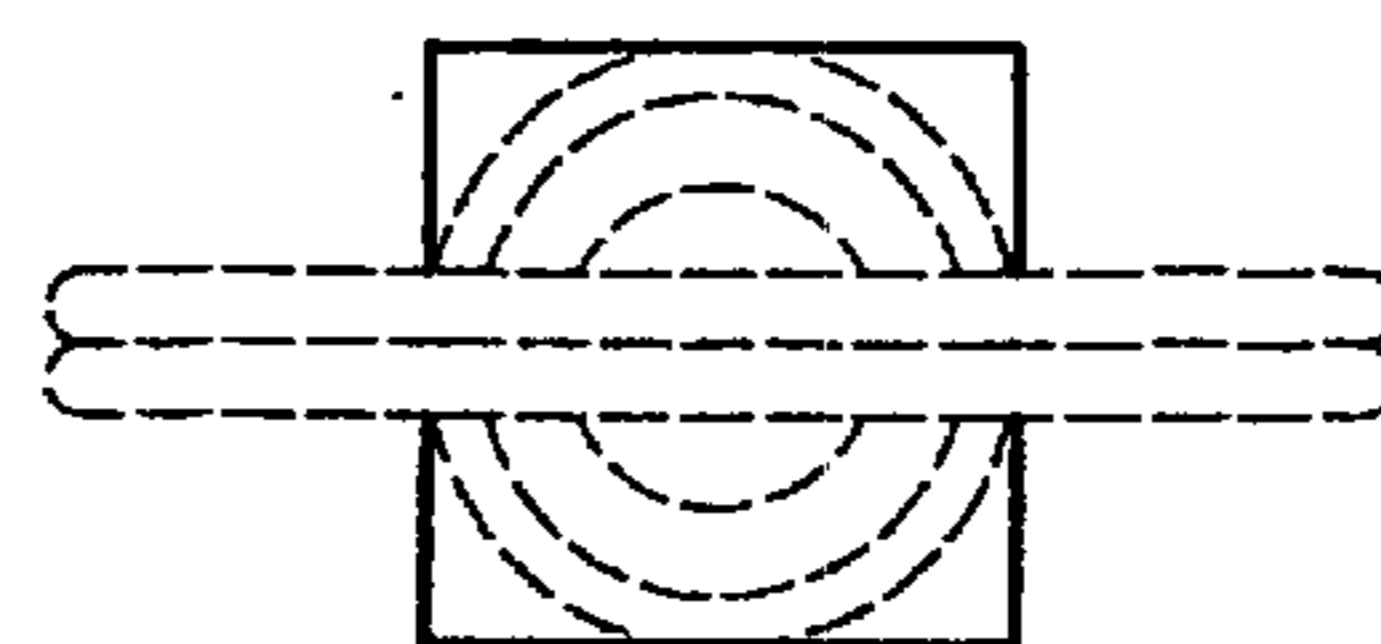


FIG. 4