

US00D463094S

(12) **United States Design Patent**
Haselmayer et al.

(10) **Patent No.:** **US D463,094 S**

(45) **Date of Patent:** **** Sep. 24, 2002**

(54) **WORK UNIFORM**

(75) Inventors: **Peter Haselmayer**, Waiblingen (DE);
Jürgen Steinhauser, Stuttgart (DE);
Bernhard H. Tinz, Reutlingen (DE)

(73) Assignee: **Andreas Stihl AG & Co.** (DE)

(**) Term: **14 Years**

(21) Appl. No.: **29/125,412**

(22) Filed: **Jun. 23, 2000**

(30) **Foreign Application Priority Data**

Dec. 23, 1999 (DE) 4 99 11 990

(51) **LOC (7) Cl.** **02-02**

(52) **U.S. Cl.** **D2/739**

(58) **Field of Search** D2/739, 742; 2/69,
2/79, 51, 227, 229, 214

(56) **References Cited**

U.S. PATENT DOCUMENTS

- D96,079 S * 7/1935 Anderson D2/739
- 2,694,810 A * 11/1954 Williamson 2/79
- 5,038,408 A * 8/1991 DeBaene 2/23
- D353,254 S * 12/1994 Welch D2/743
- D379,110 S * 5/1997 Neustater et al. D2/743
- D431,345 S * 10/2000 Newkirk, Jr. D2/739

* cited by examiner

Primary Examiner—Stella Reid

(74) *Attorney, Agent, or Firm*—R W Becker & Associates;
R W Becker

(57) **CLAIM**

The ornamental design for a work uniform, as shown and described.

DESCRIPTION

FIG. 1 is a front view of the two-piece work uniform showing a first embodiment our new design;

FIG. 2 is a back view thereof;

FIG. 3 is a left side view thereof;

FIG. 4 is a right side view thereof;

FIG. 5 is a front view of the jacket thereof;

FIG. 6 is a back view of the jacket thereof;

FIG. 7 is a left side view of the jacket thereof;

FIG. 8 is a right side view of the jacket thereof;

FIG. 9 is a front view of the pants with a bib and straps thereof;

FIG. 10 is a back view of the pants with a bib and straps thereof;

FIG. 11 is a left side view of the pants with bib and straps thereof, and,

FIG. 12 is a right side view of the pants with a bib and starps thereof.

1 Claim, 9 Drawing Sheets

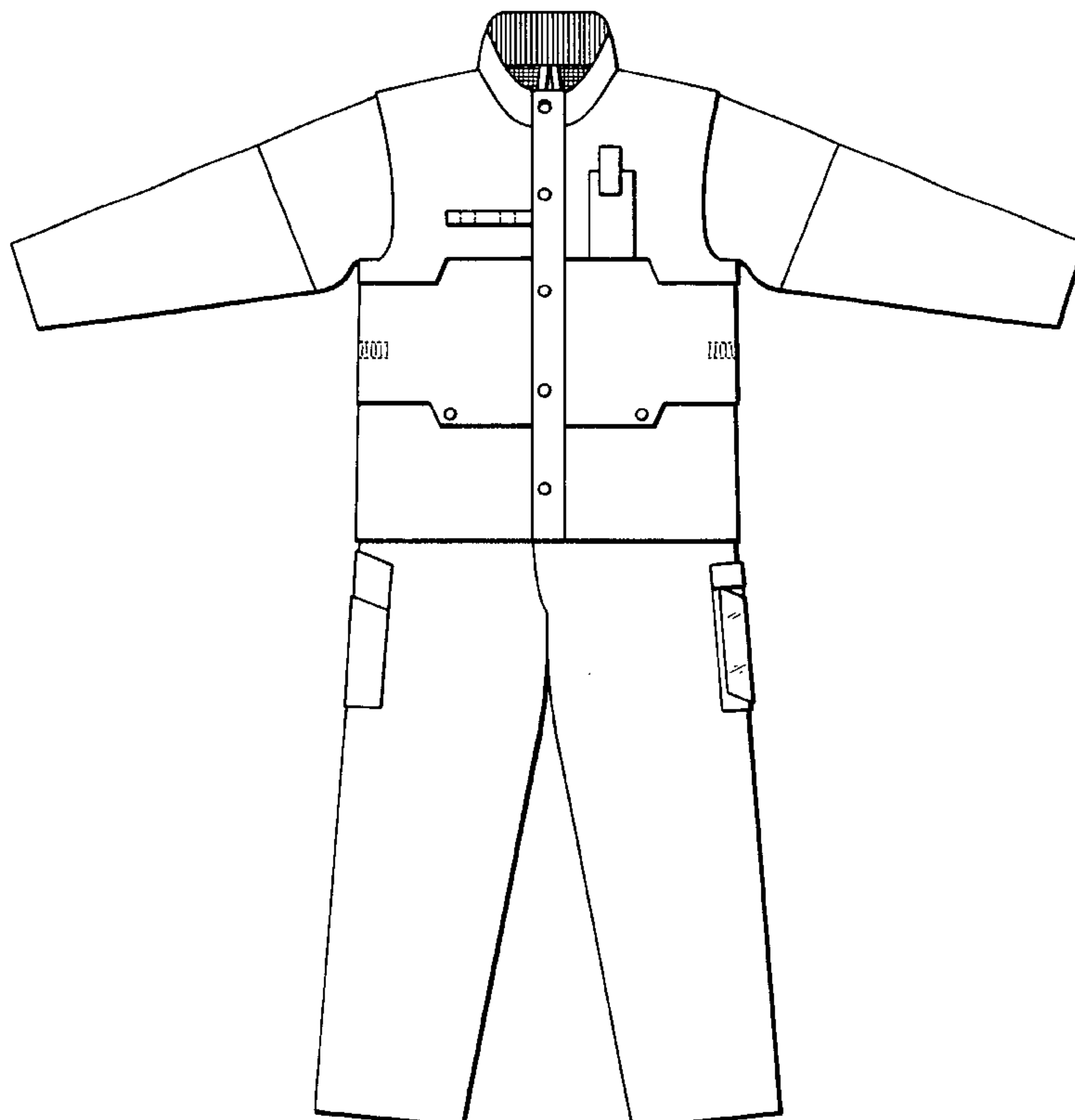


Fig. 1

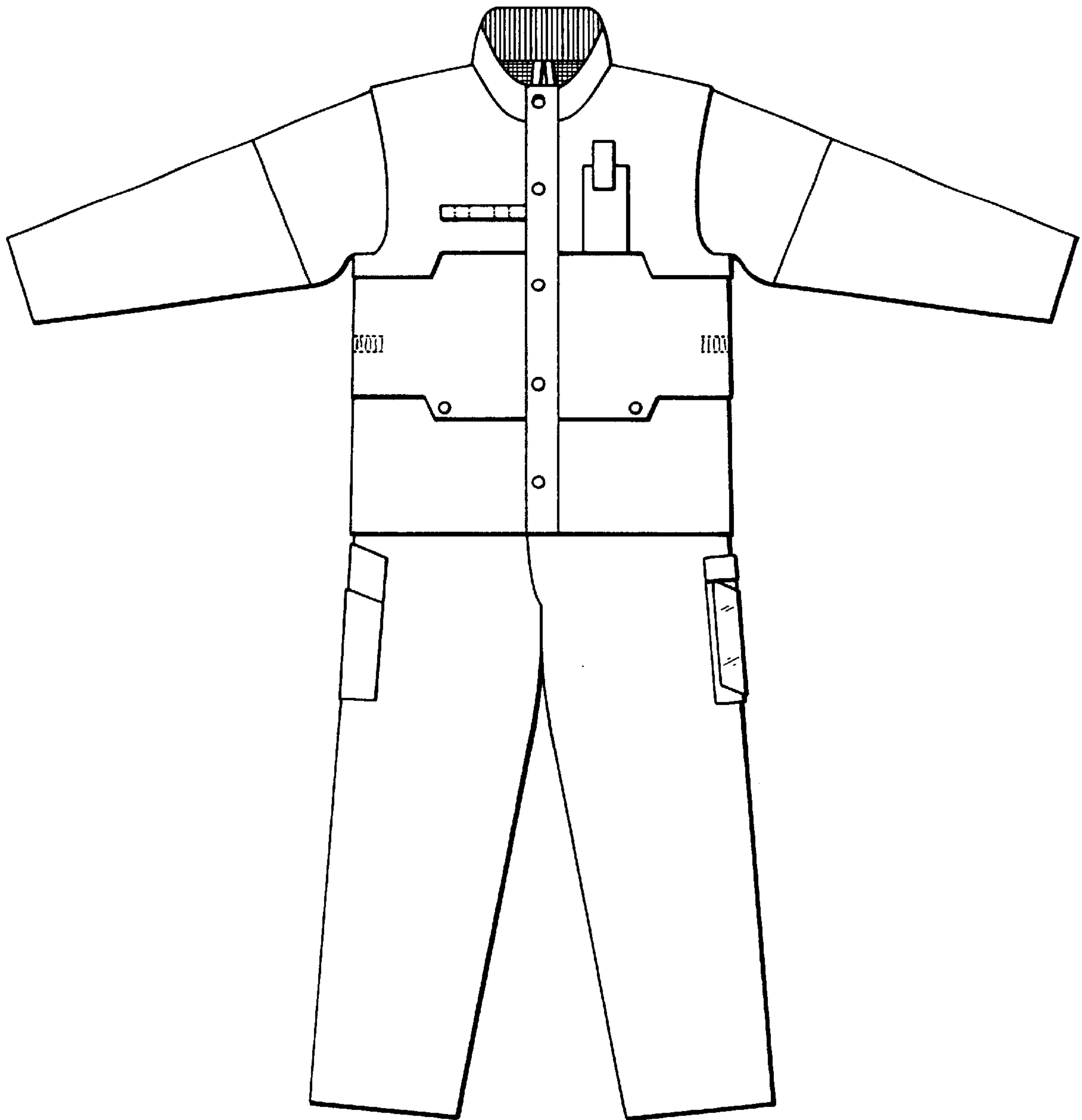


Fig. 2

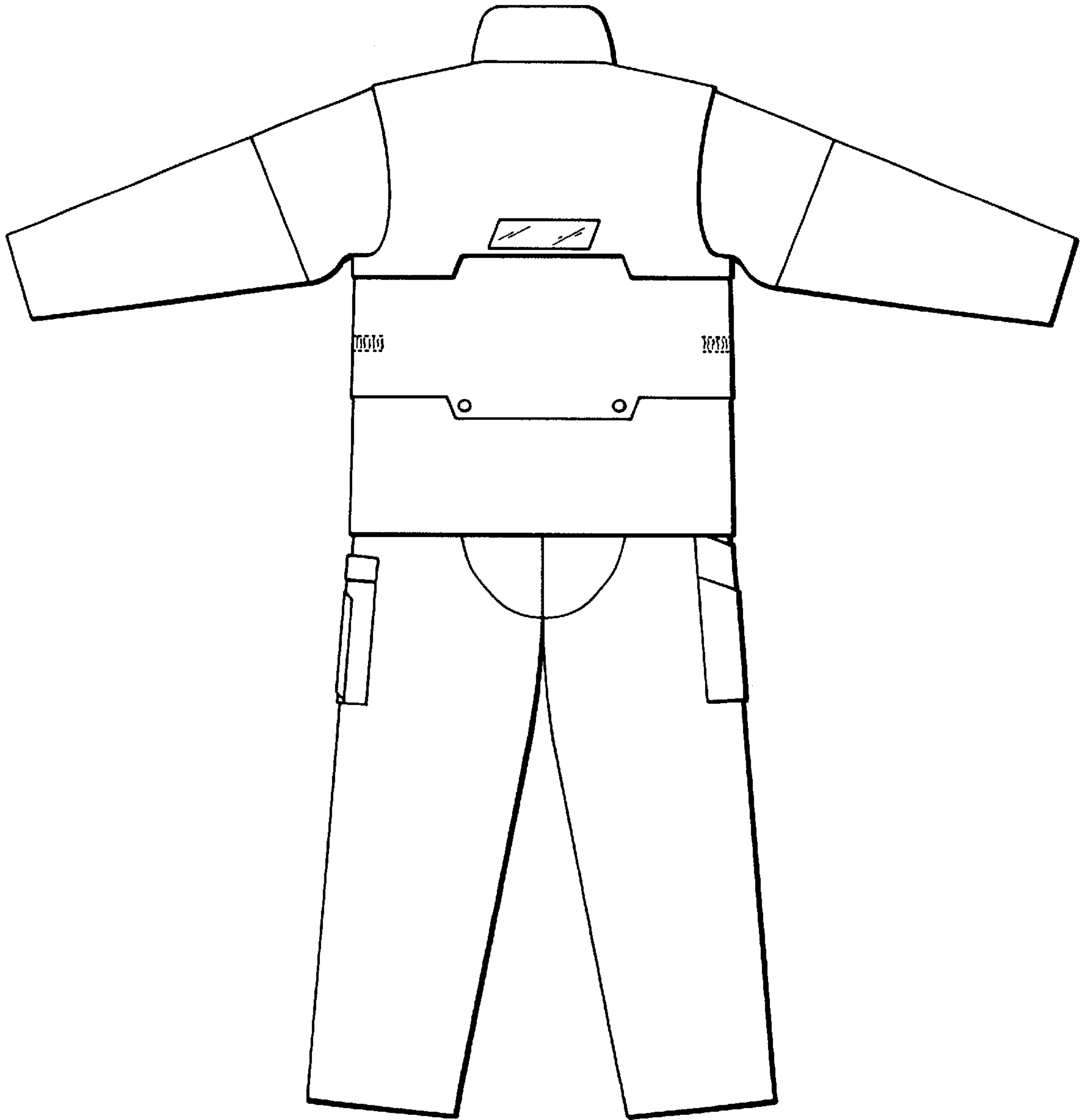


Fig. 3

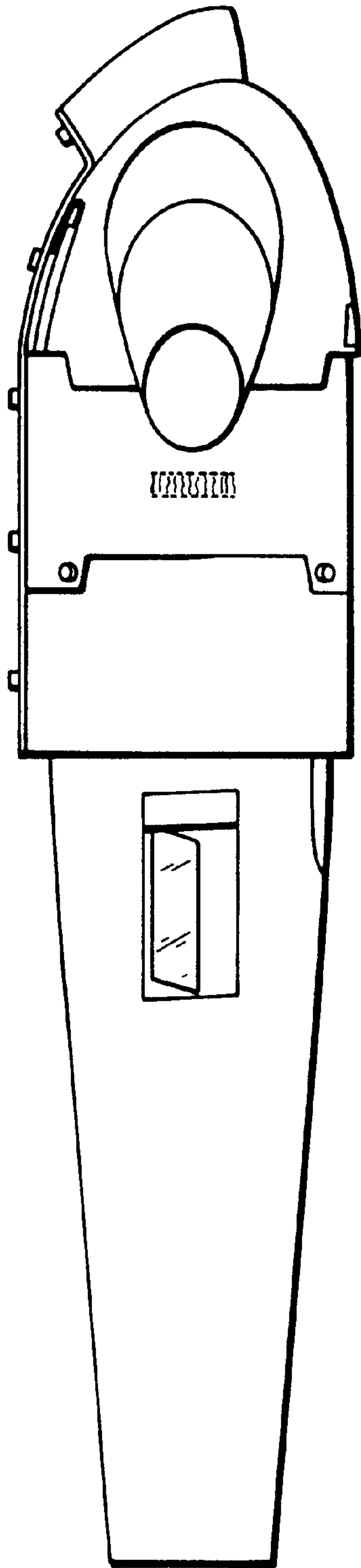
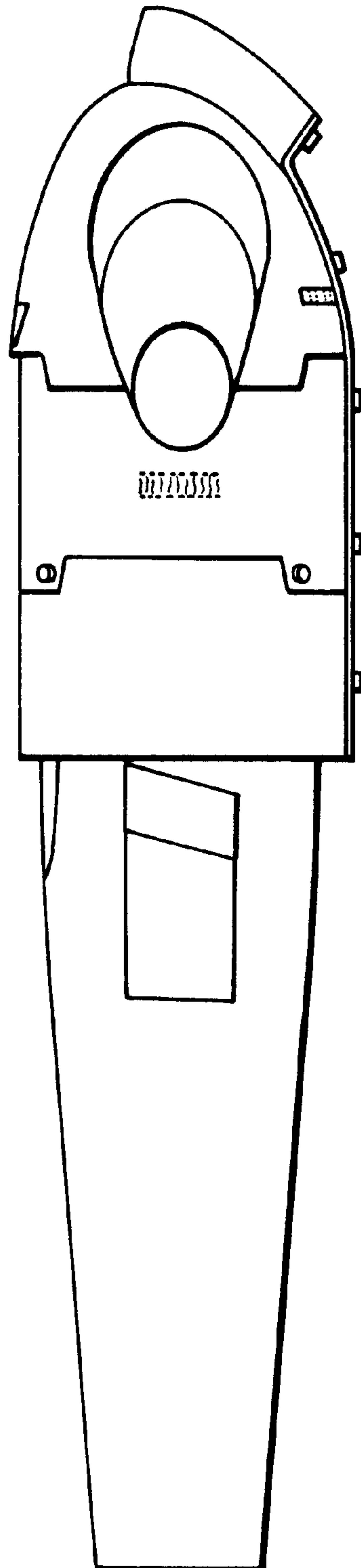


Fig. 4



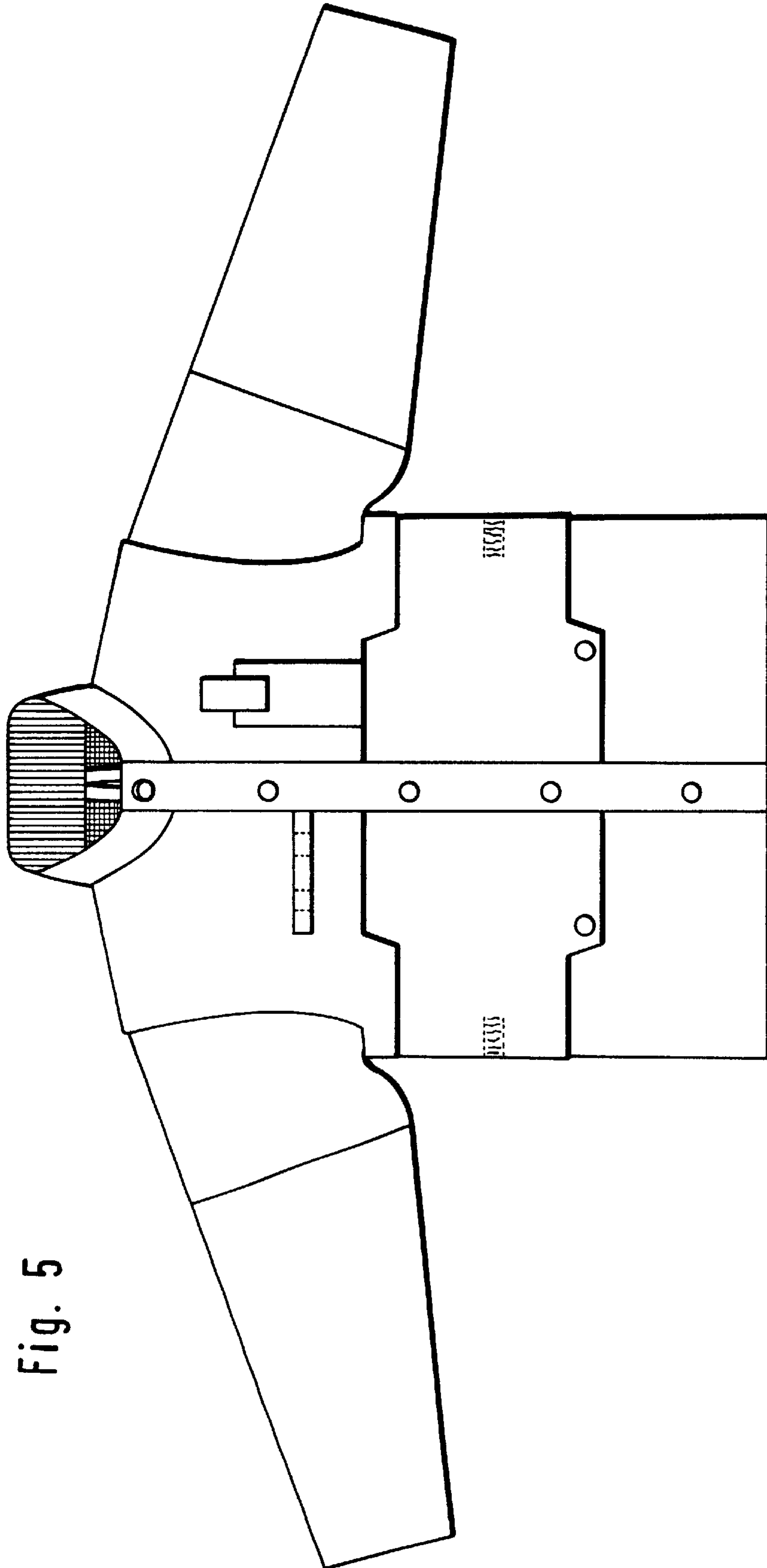


Fig. 5

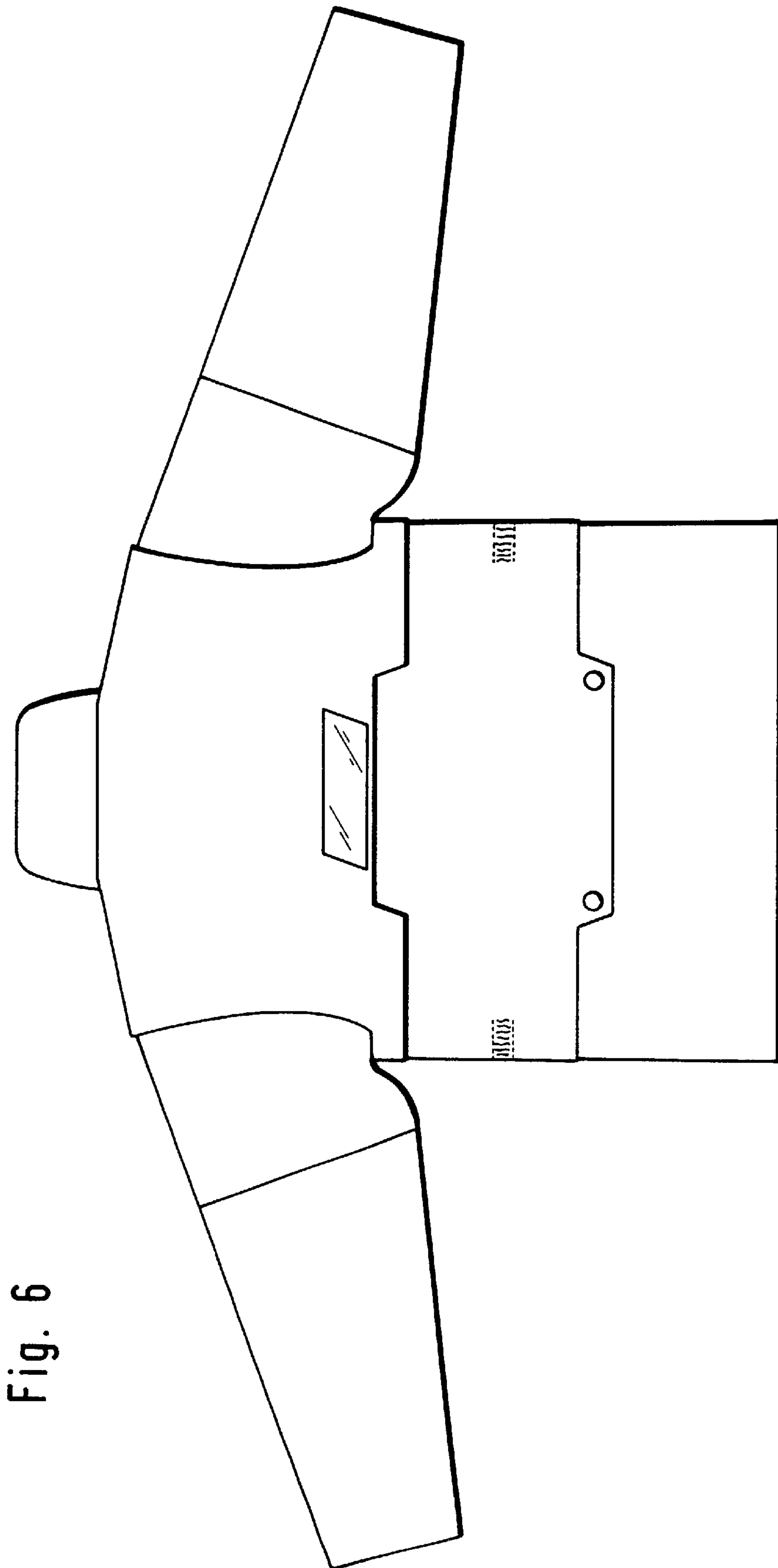


Fig. 6

Fig. 7

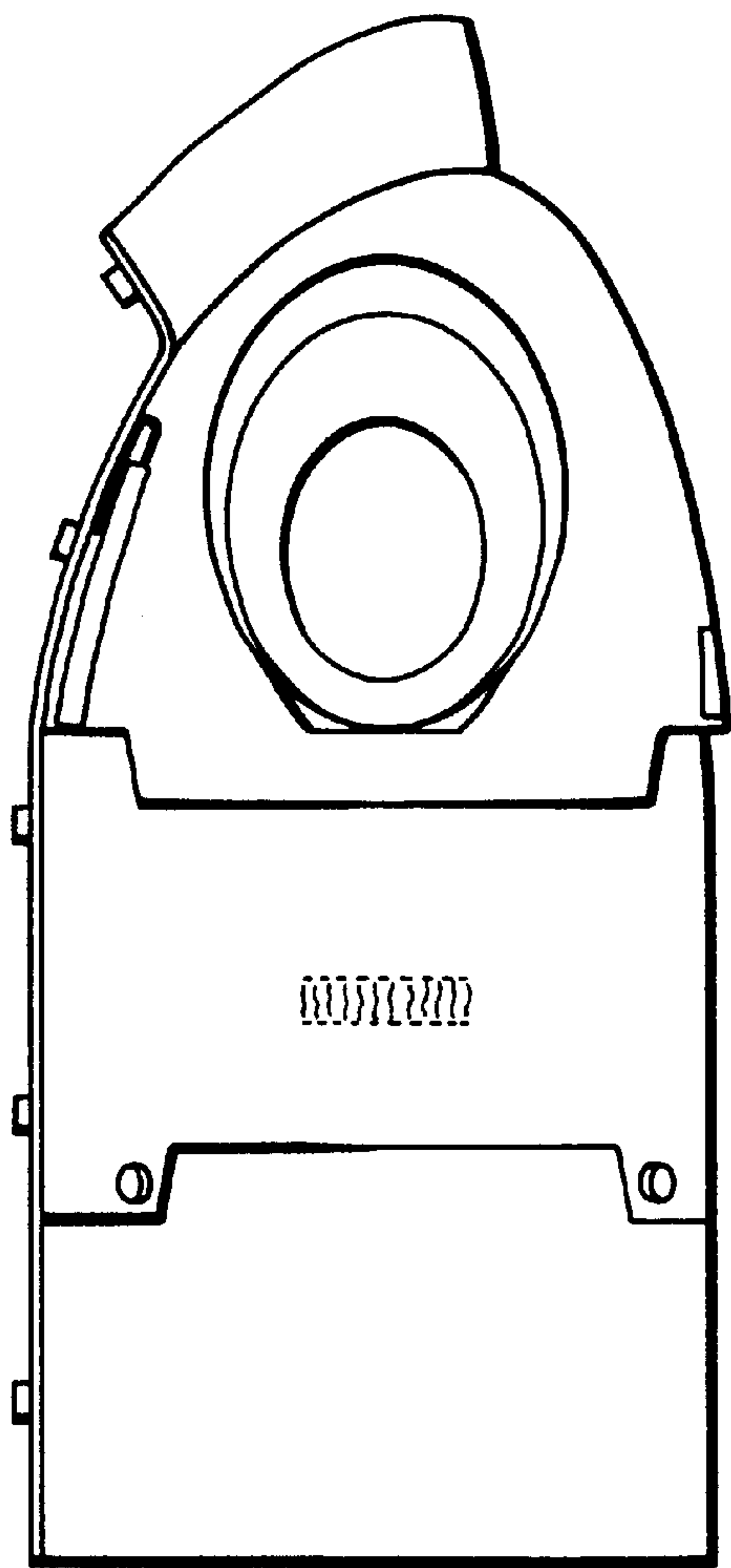


Fig. 8

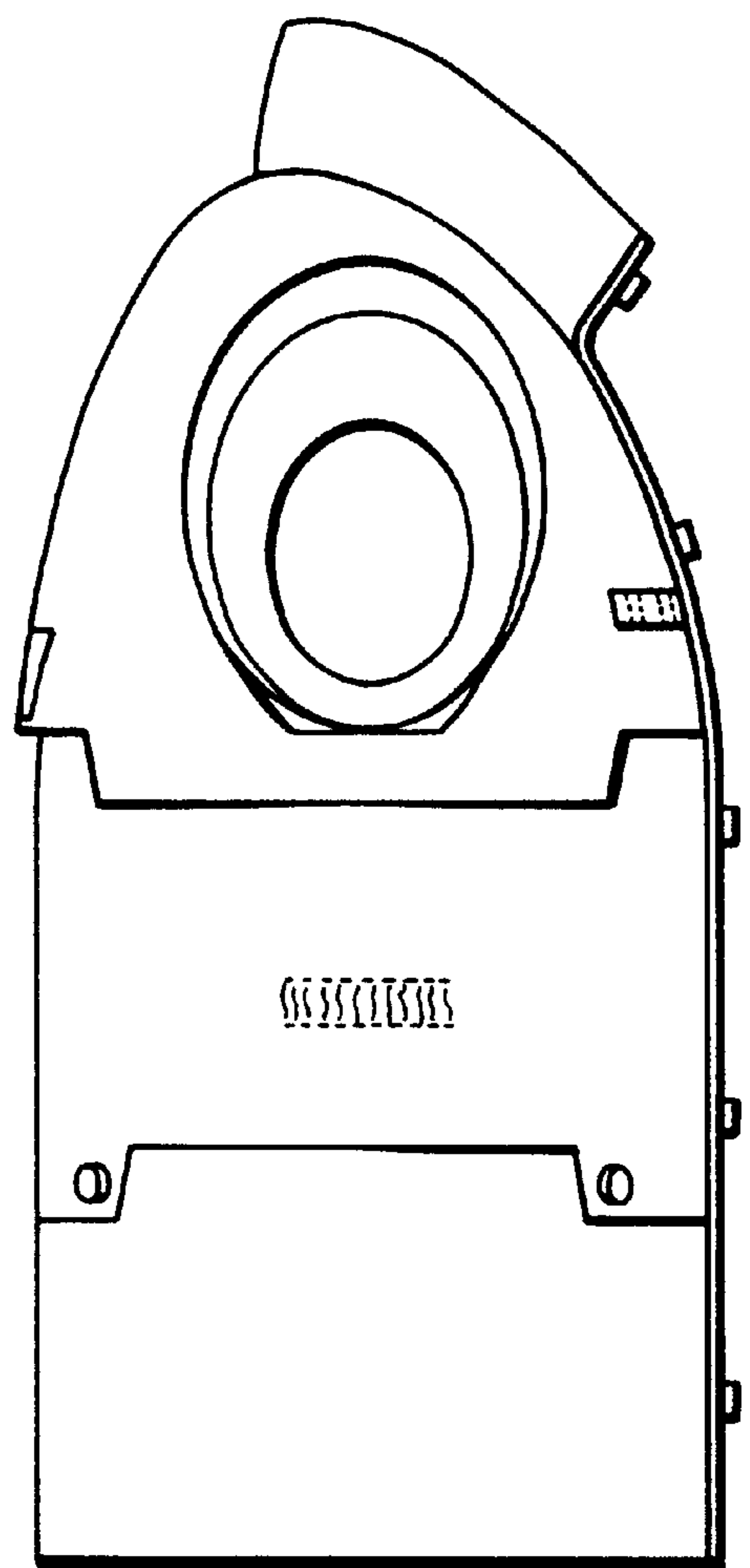


Fig. 9

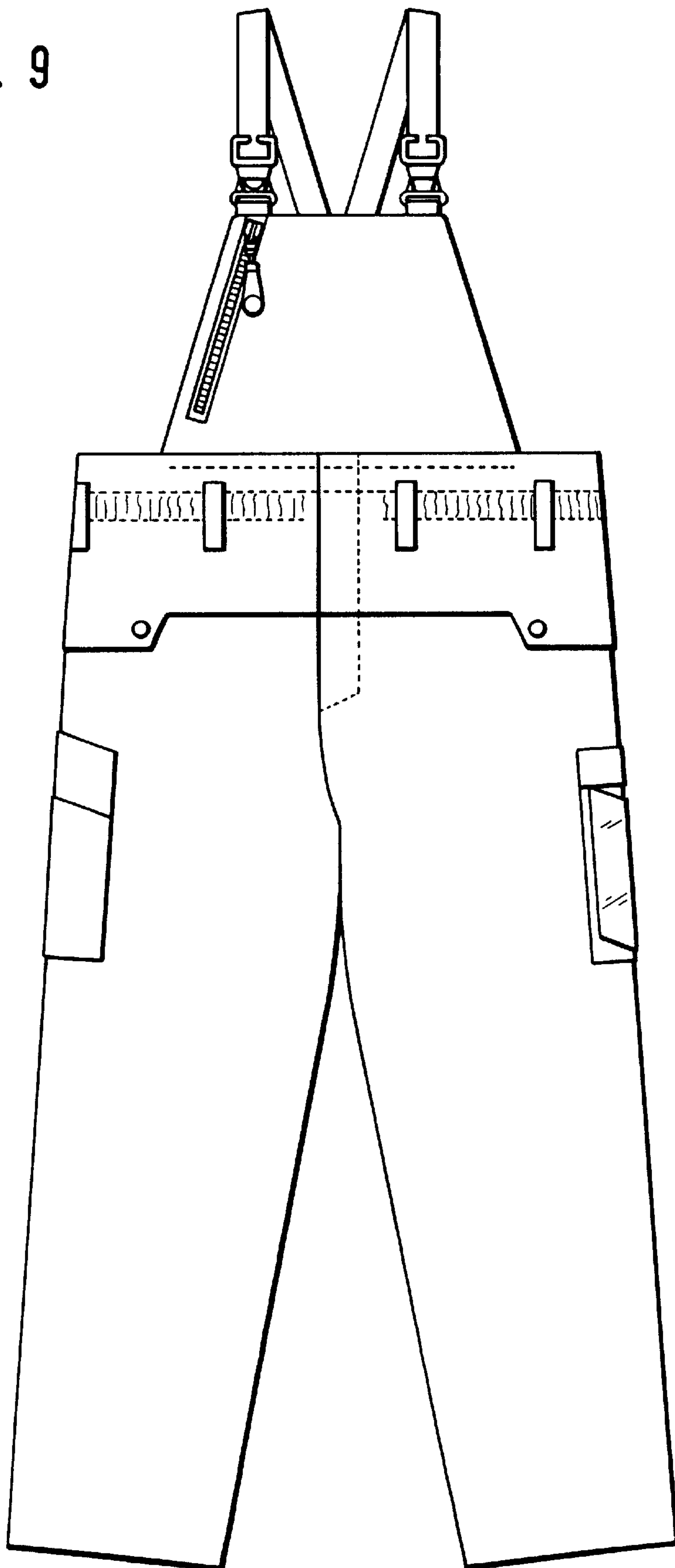


Fig. 10

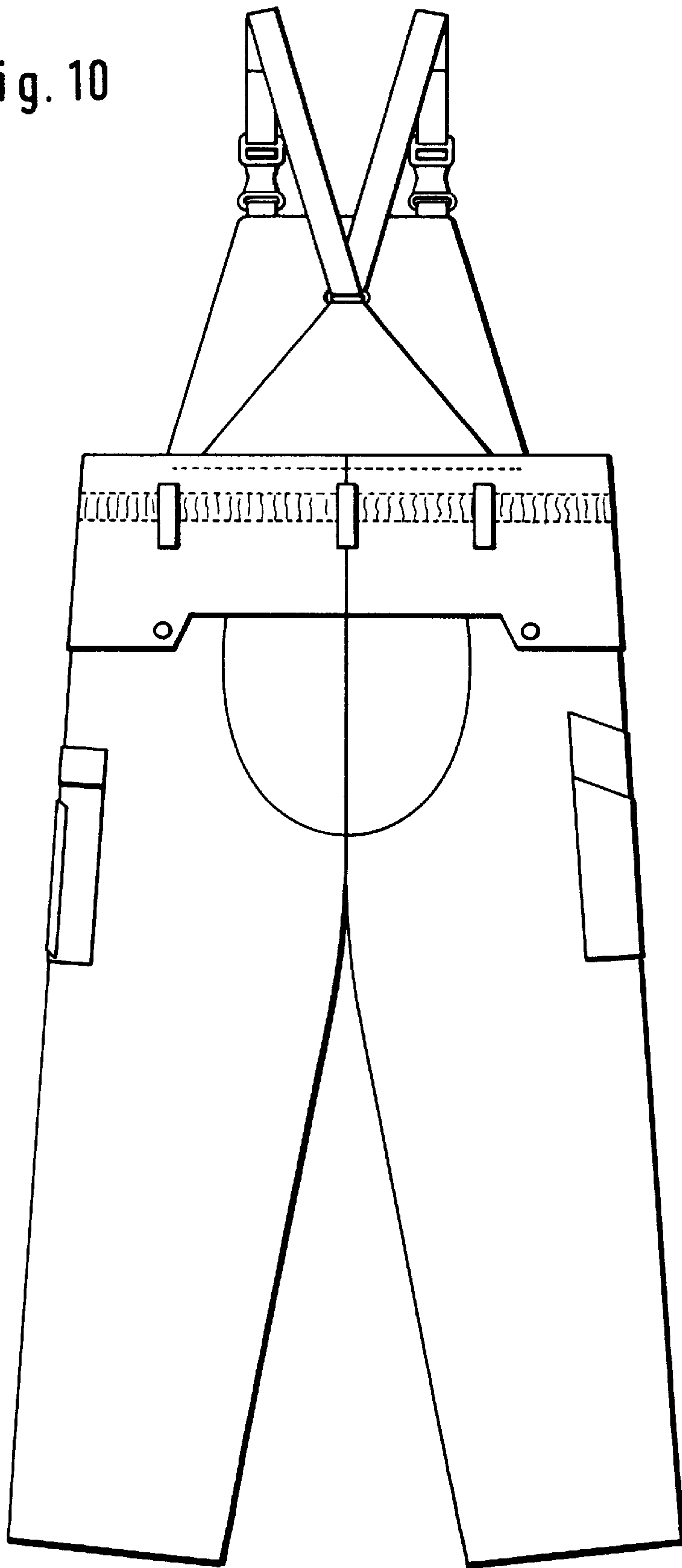


Fig. 11

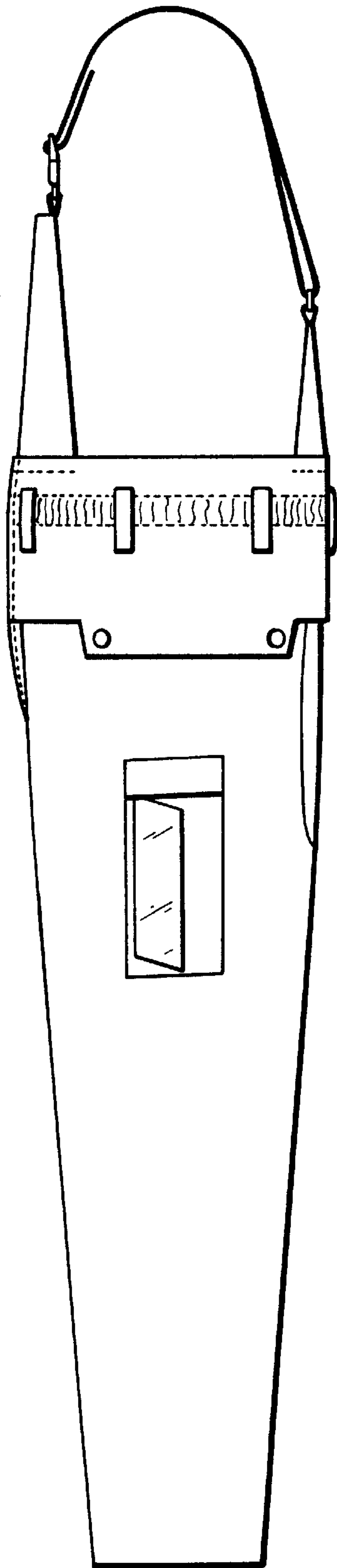


Fig. 12

