



US00D463082S

(12) **United States Design Patent**
Harrington

(10) **Patent No.:** **US D463,082 S**

(45) **Date of Patent:** **** Sep. 17, 2002**

(54) **HAND TOOL**

D318,157 S * 7/1991 Perlor D32/41
D422,765 S * 4/2000 Viola D32/35

(75) Inventor: **Michelle E. Harrington**, North Hollywood, CA (US)

* cited by examiner

(73) Assignee: **Harrington Tools, Inc.**, Los Angeles, CA (US)

Primary Examiner—Jennifer Rivard
(74) *Attorney, Agent, or Firm*—William W. Haefliger

(**) Term: **14 Years**

(57) **CLAIM**

(21) Appl. No.: **29/137,552**

The ornamental design for a hand tool, substantially as shown and described.

(22) Filed: **Feb. 22, 2001**

DESCRIPTION

(51) **LOC (7) Cl.** **08-99**

(52) **U.S. Cl.** **D32/46; D32/41**

(58) **Field of Search** 15/236.01, 236.02, 15/236.05, 236.09, 143.1, 121, 245, 245.1; 30/169; D32/41, 46, 40, 35, 48, 49

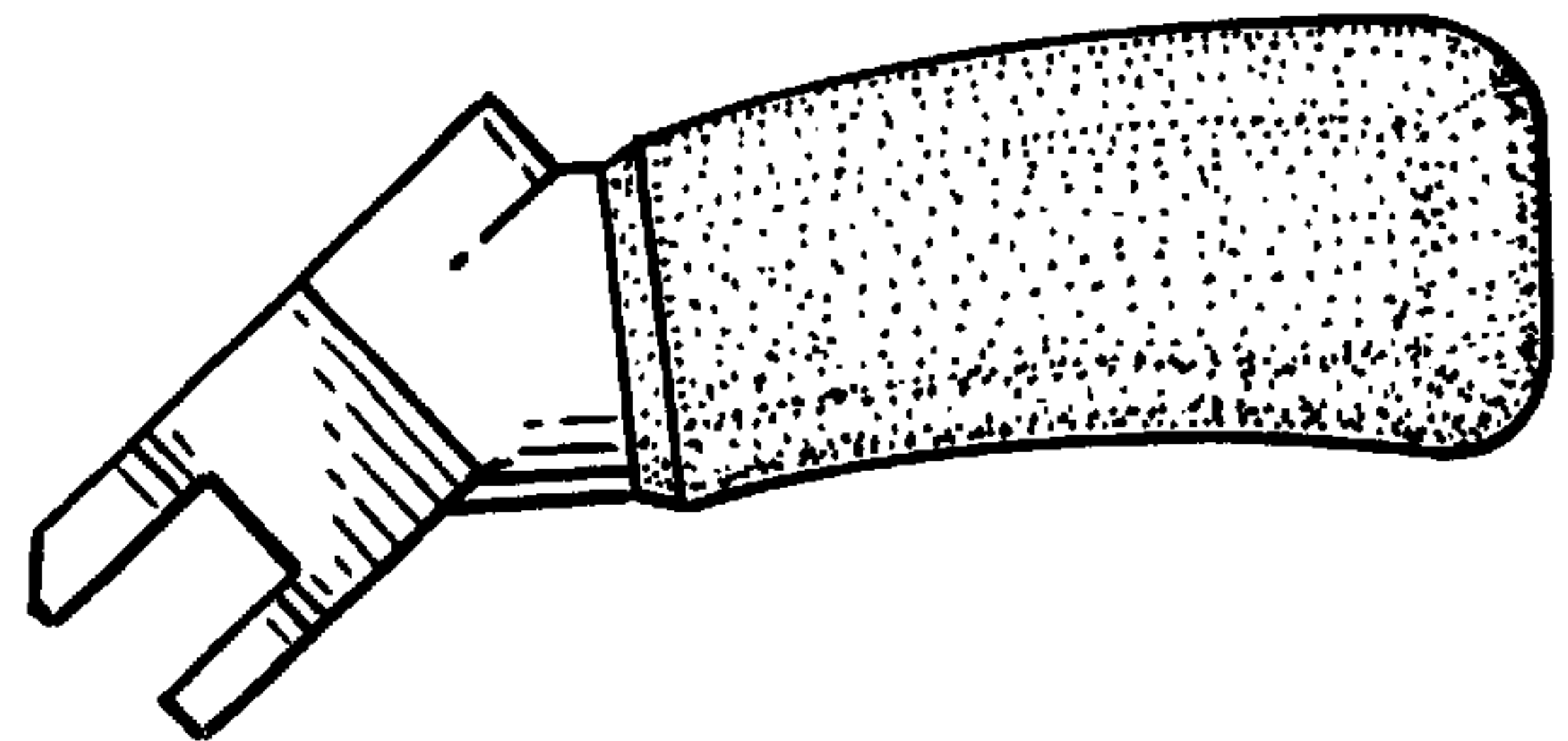
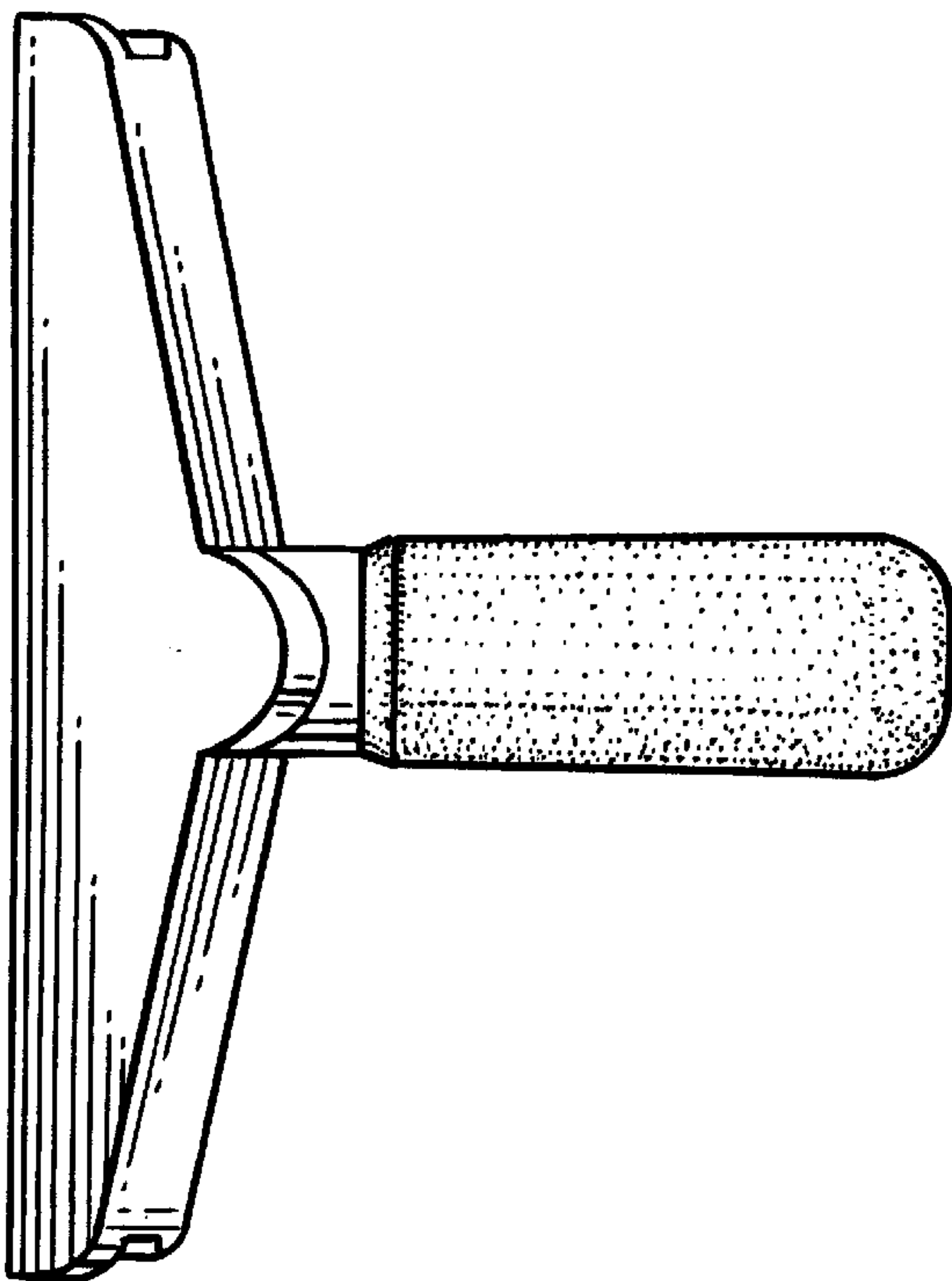
FIG. 1 is a top plan view of the hand tool;
FIG. 2 is a bottom plan view of the hand tool;
FIG. 3 is a front elevational view of the hand tool;
FIG. 4 is a rear elevational view of the hand tool; and,
FIG. 5 is a left side view of the hand tool, the right side elevation being the same.

(56) **References Cited**

U.S. PATENT DOCUMENTS

D307,963 S * 5/1990 Newman et al. D32/41

1 Claim, 2 Drawing Sheets



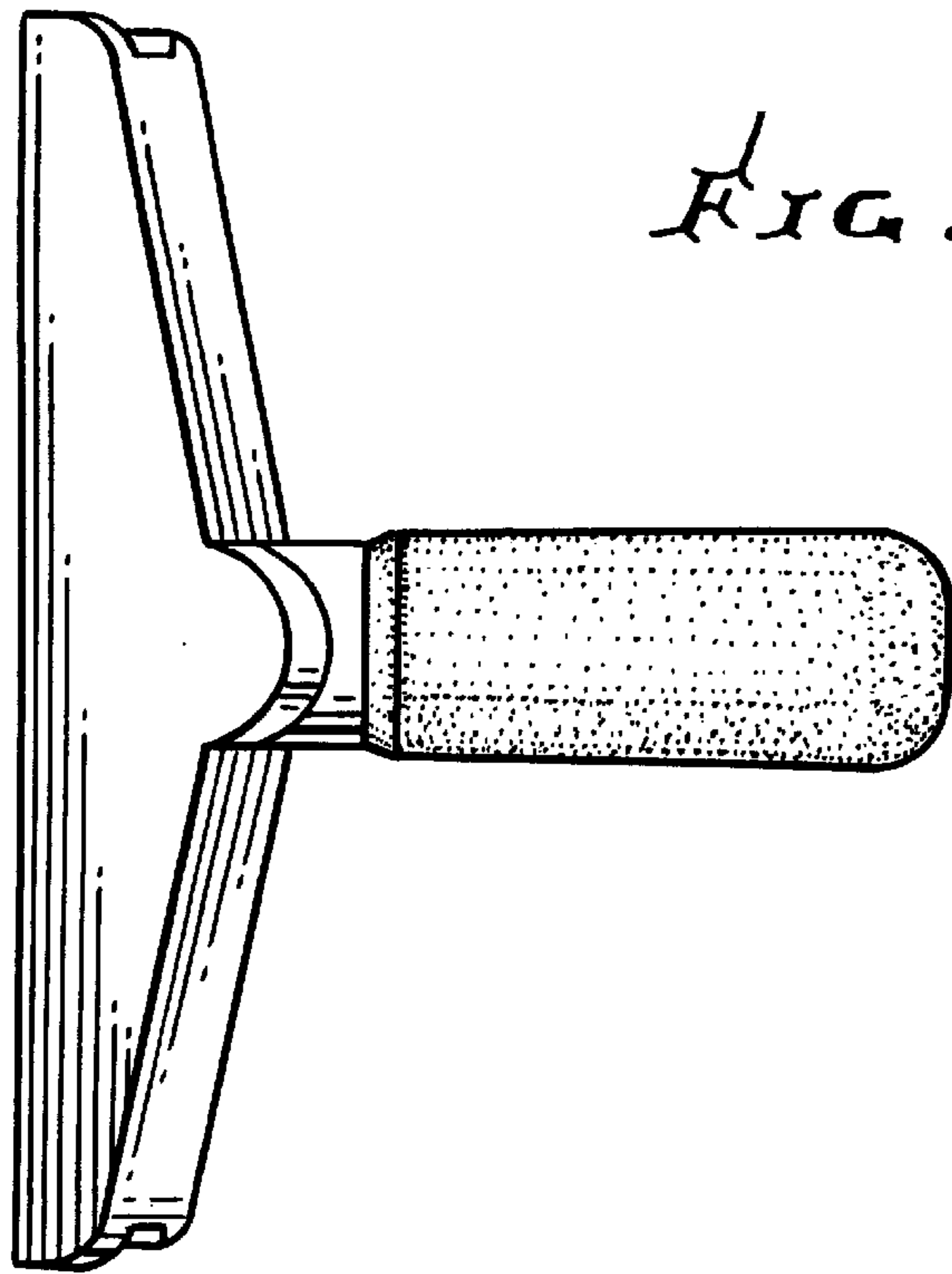


FIG. 1.

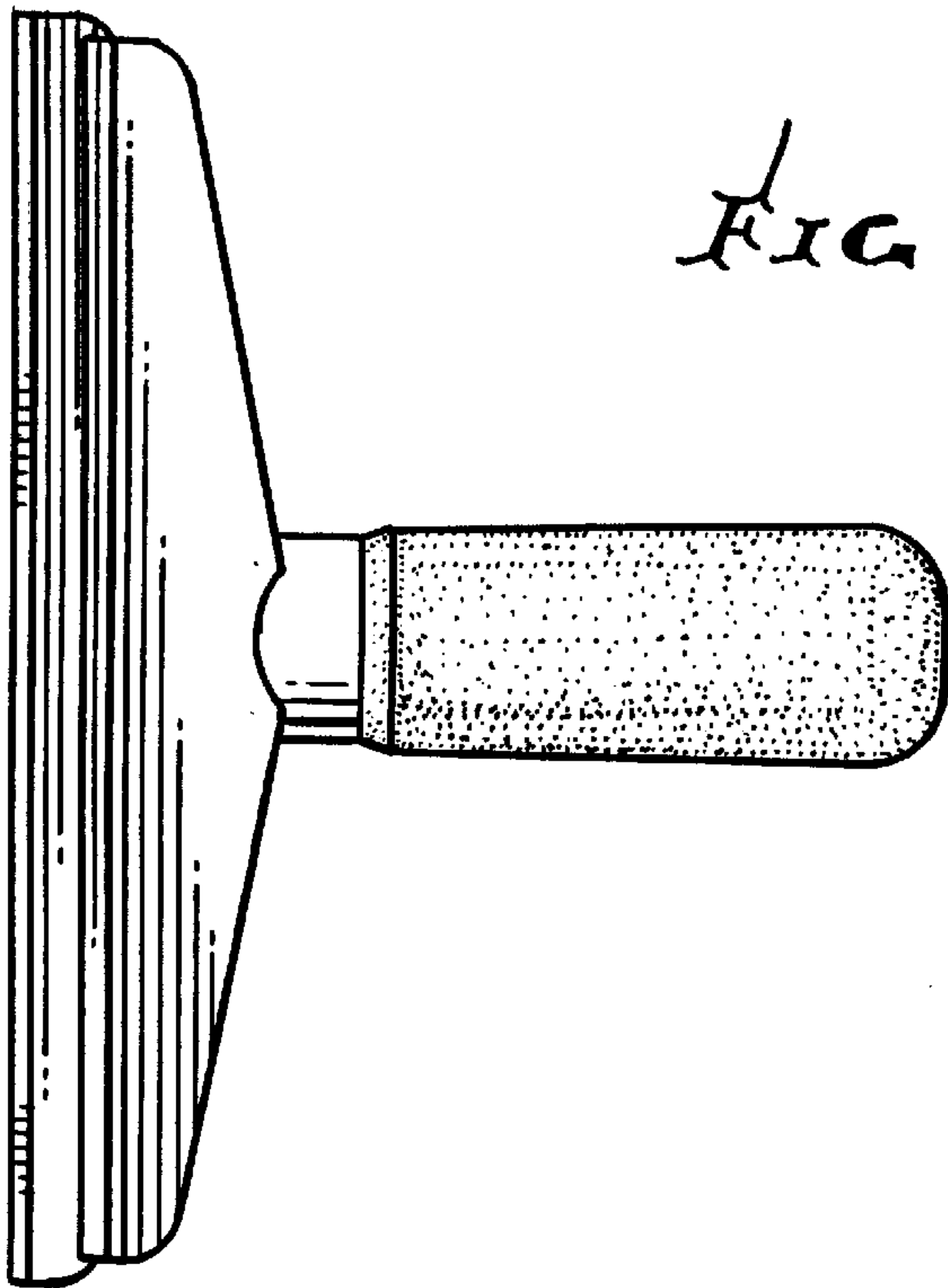


FIG. 2.

FIG. 3.

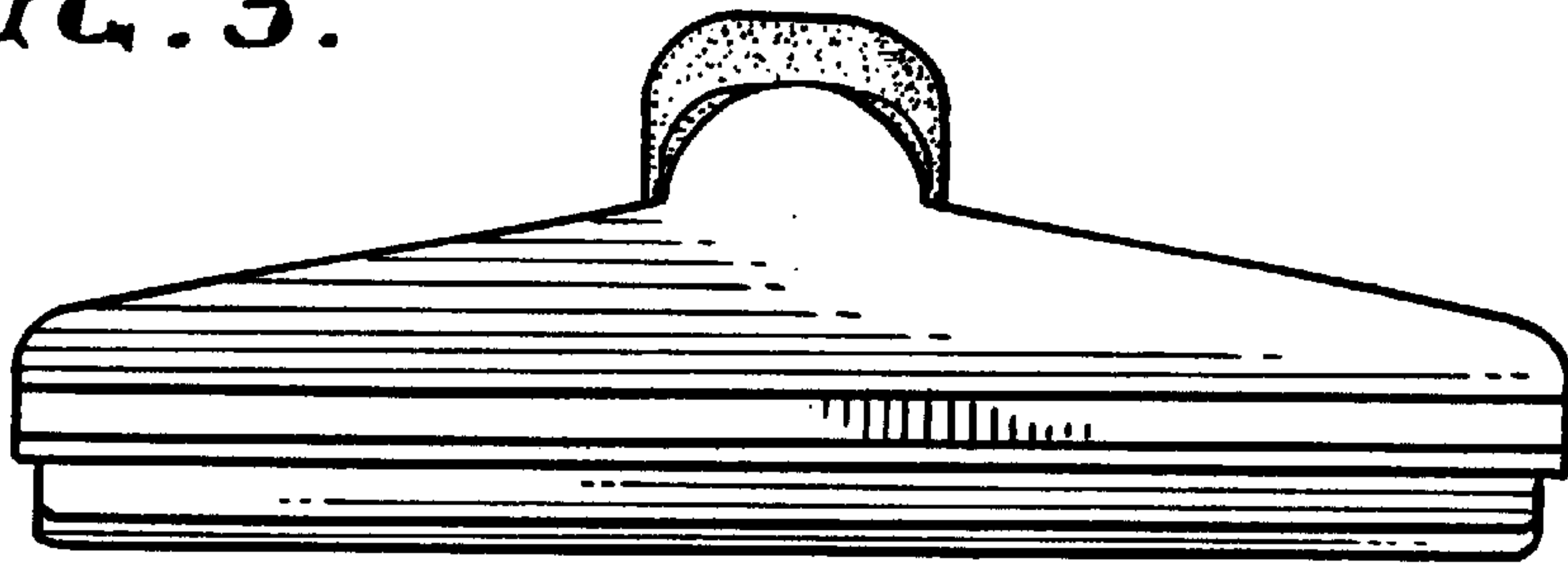


FIG. 4.

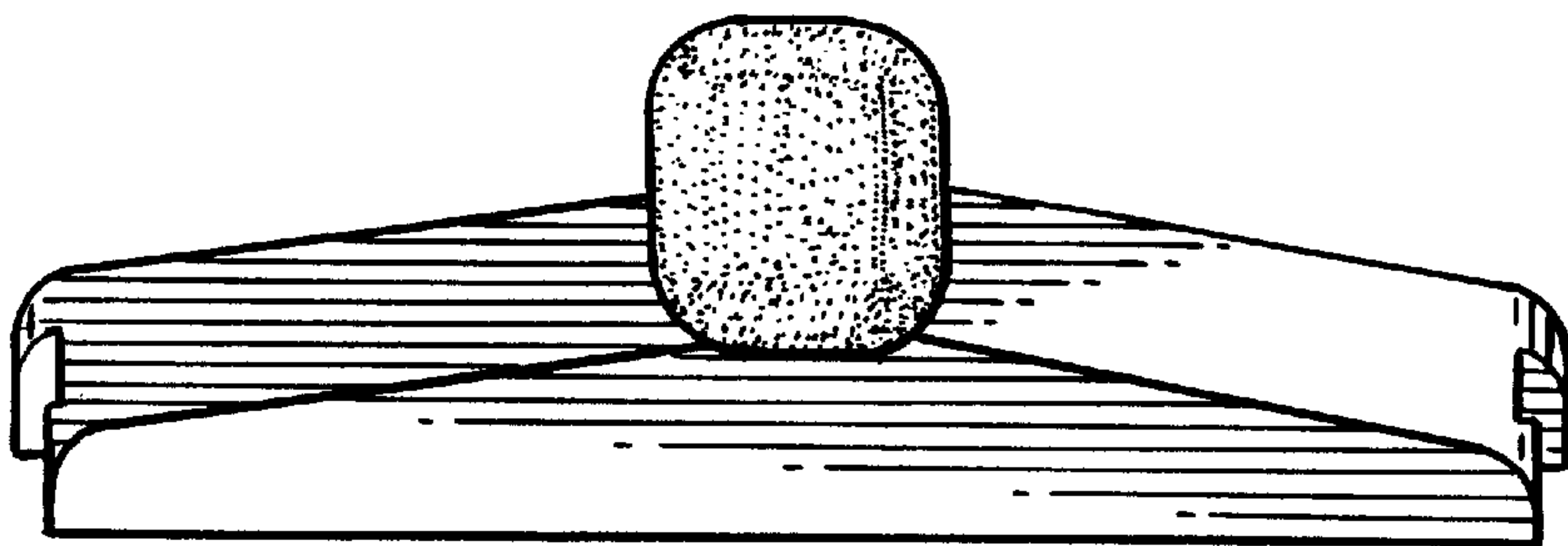


FIG. 5.

