



US00D463080S

(12) **United States Design Patent**
Farone et al.

(10) **Patent No.: US D463,080 S**

(45) **Date of Patent: ** Sep. 17, 2002**

(54) **NOZZLE BASE FOR VACUUM CLEANER**

(75) Inventors: **Richard C. Farone**, Willoughby;
Jeffrey M. Kalman, Cleveland Heights;
Craig M. Saunders, Rocky River;
Michael F. Wright, Stow; **Cynthia M. Caffoe**, Cleveland Heights, all of OH (US)

(73) Assignee: **Royal Appliance Mfg. Co.**,
Glenwillow, OH (US)

(**) Term: **14 Years**

(21) Appl. No.: **29/135,503**

(22) Filed: **Jan. 12, 2001**

(51) **LOC (7) Cl. 15-05**

(52) **U.S. Cl. D32/32**

(58) **Field of Search** D32/21-22, 31-33,
D32/25; 15/322, 415.1-422.1, 41.1, 52.1,
387, 350-351, 366, 368, 383, 389

(56) **References Cited**

U.S. PATENT DOCUMENTS

D343,707 S	1/1994	Dyson	
D358,236 S	5/1995	Kopco et al.	
D398,094 S	9/1998	Sato et al.	
D408,600 S	4/1999	Thur et al.	
5,903,955 A	5/1999	Farone et al.	
D412,227 S	* 7/1999	Wareham et al.	D32/32

D412,380 S	*	7/1999	Wareham	D32/32
D418,953 S	*	1/2000	Farone et al.	D32/32
D427,399 S		6/2000	Thur et al.	
D431,334 S	*	9/2000	Stephens et al.	D32/32
D439,383 S	*	3/2001	Salo et al.	D32/32
6,237,189 B1	*	5/2001	Maurer et al.	15/383

* cited by examiner

Primary Examiner—Ruth McInroy

(74) *Attorney, Agent, or Firm*—Fay, Sharpe, Fagan,
Minnich & McKee, LLP

(57) **CLAIM**

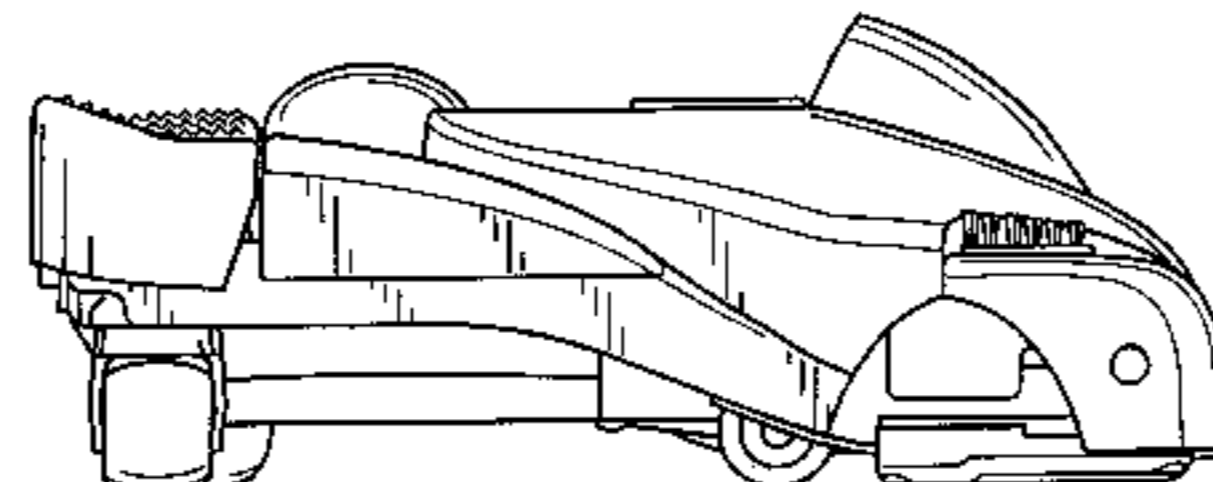
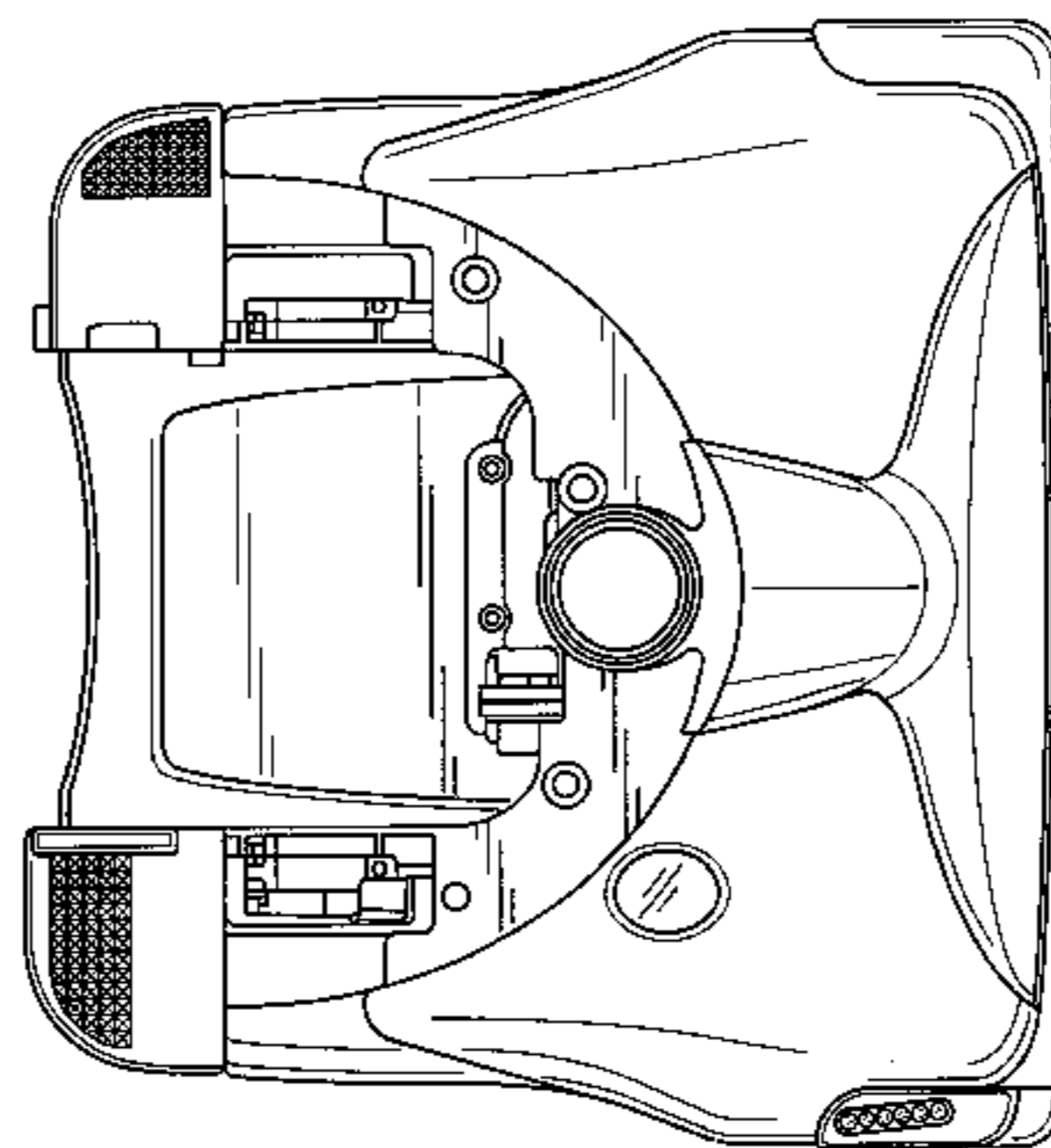
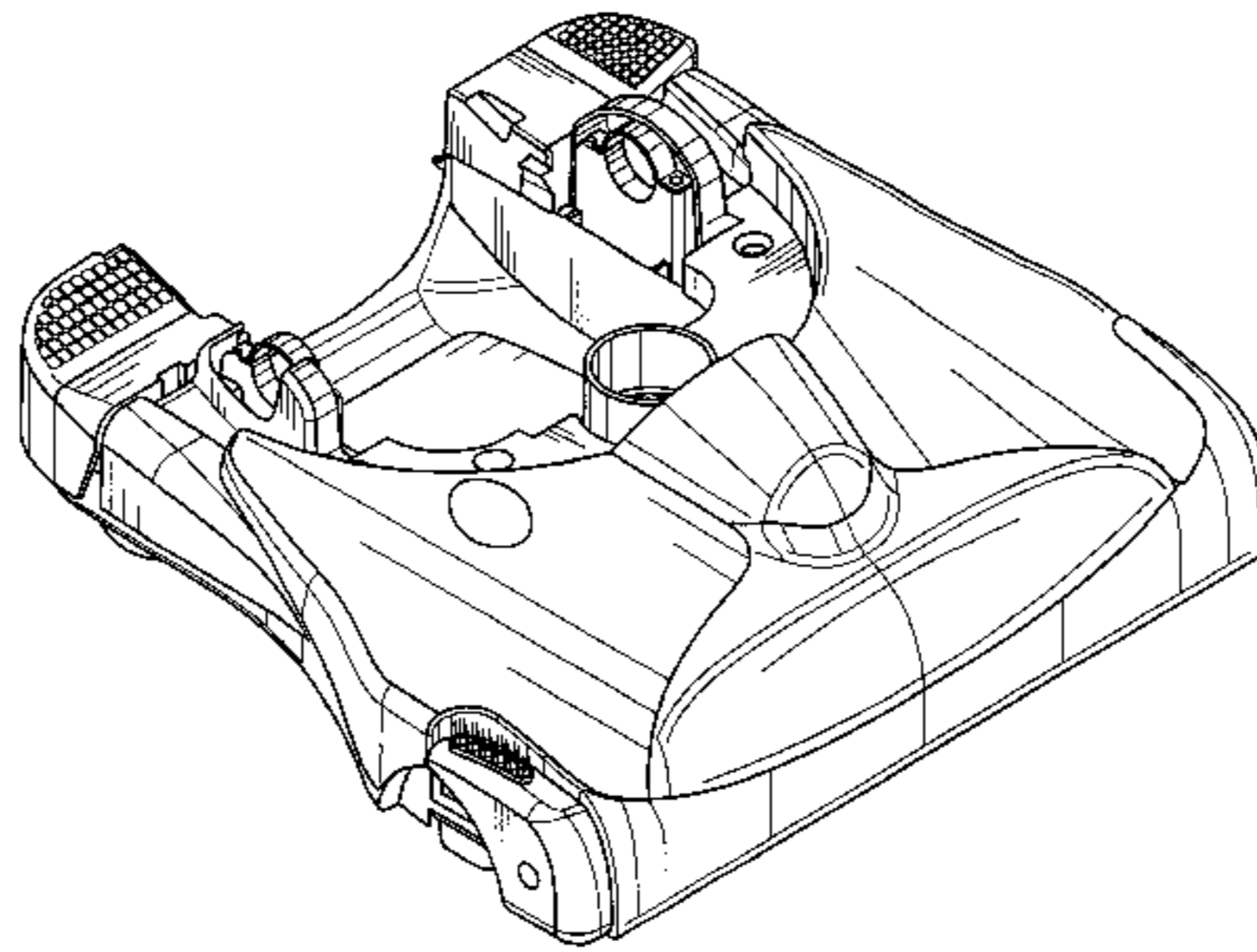
The ornamental design for a nozzle base for vacuum cleaner, as shown and described.

DESCRIPTION

FIG. 1 is a perspective view of a nozzle base for vacuum cleaner showing our new design;
FIG. 2 is a perspective view thereof;
FIG. 3 is a top plan view thereof;
FIG. 4 is a left side elevational view thereof;
FIG. 5 is a right side elevational view thereof;
FIG. 6 is a bottom plan view thereof;
FIG. 7 is a front elevational view thereof; and,
FIG. 8 is a rear elevational view thereof.

The parts shown in broken lines in FIG. 1 are shown for illustrative purposes only and form no part of the claimed design.

1 Claim, 5 Drawing Sheets



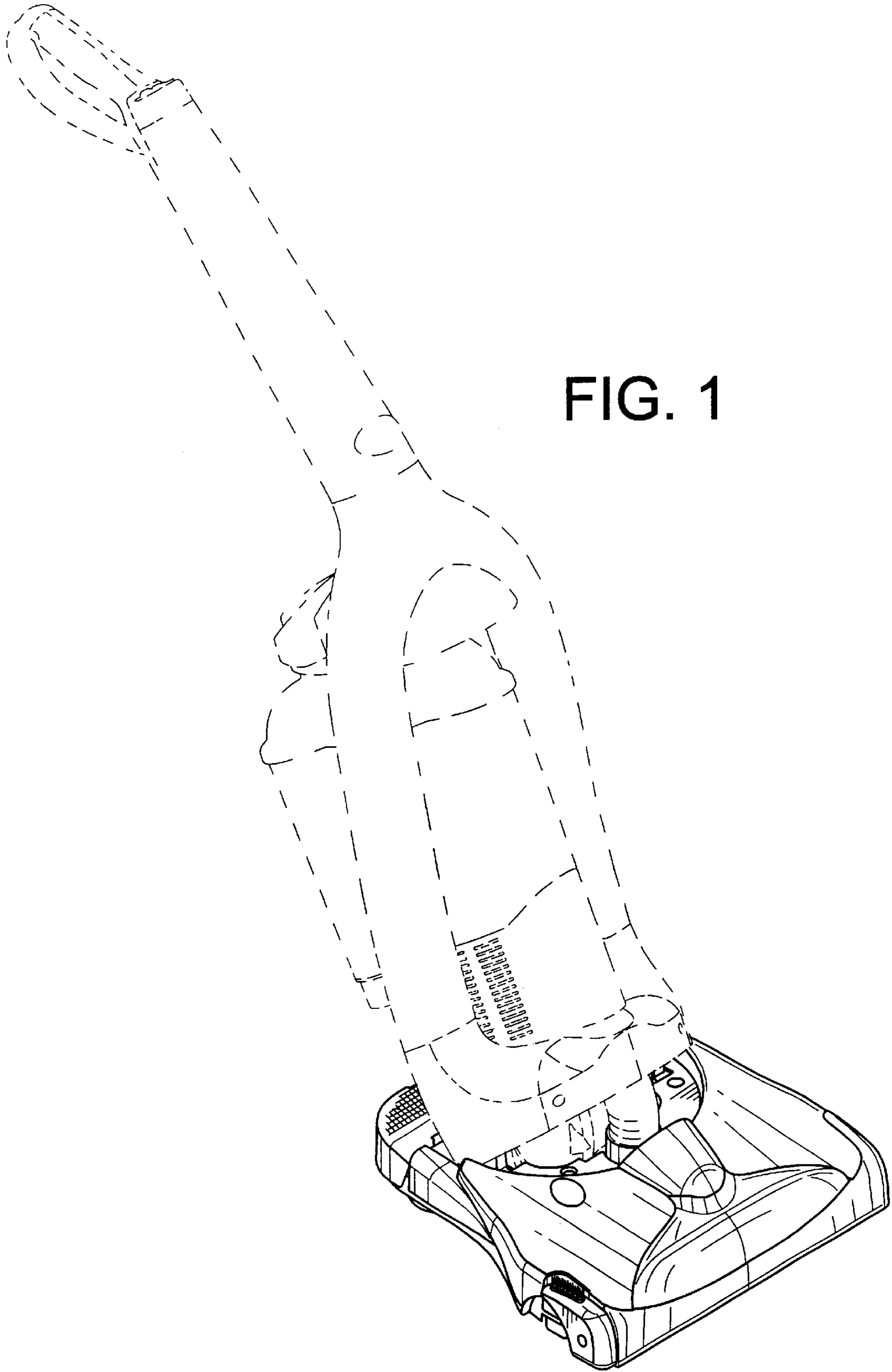


FIG. 1

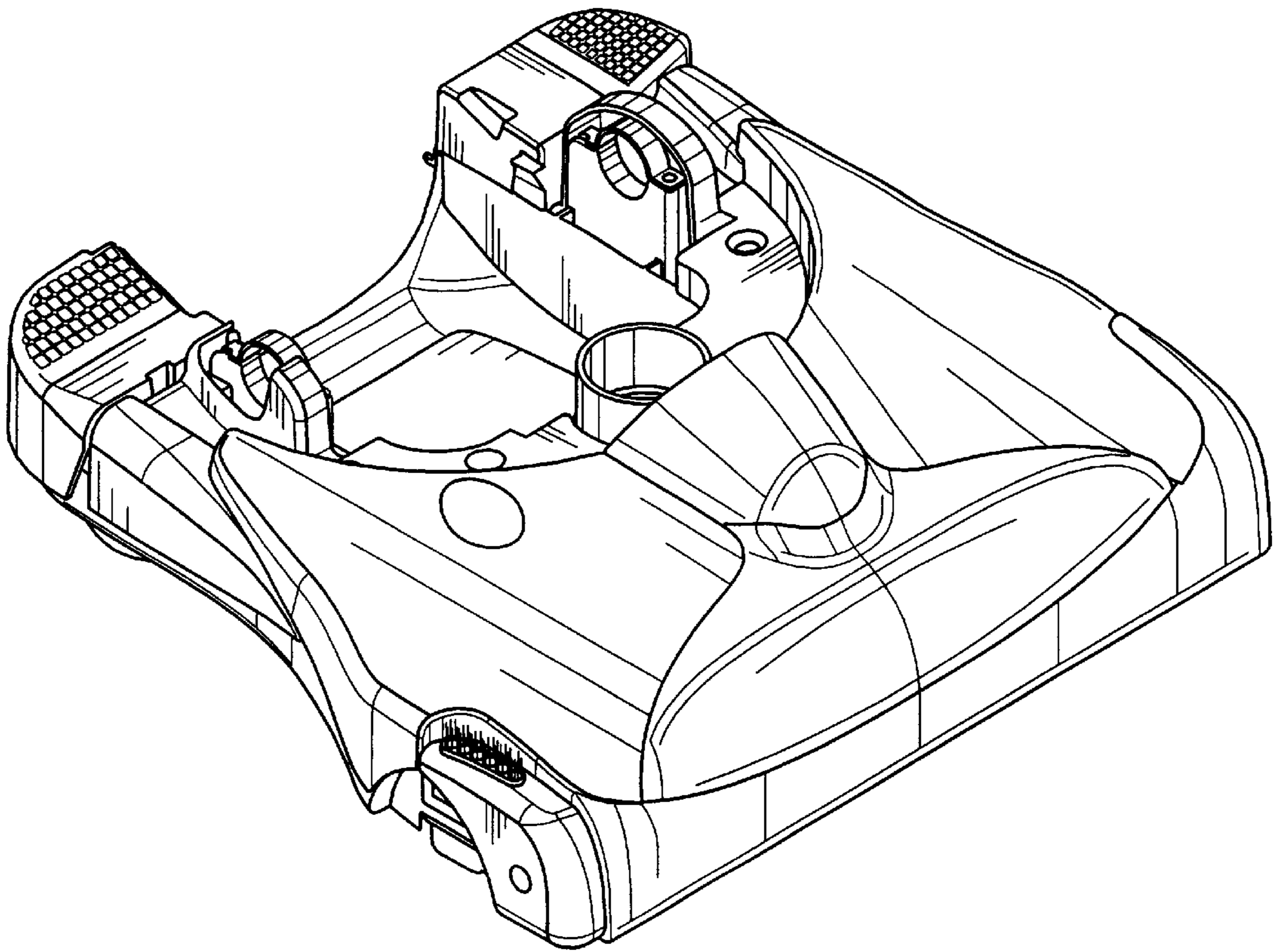


FIG. 2

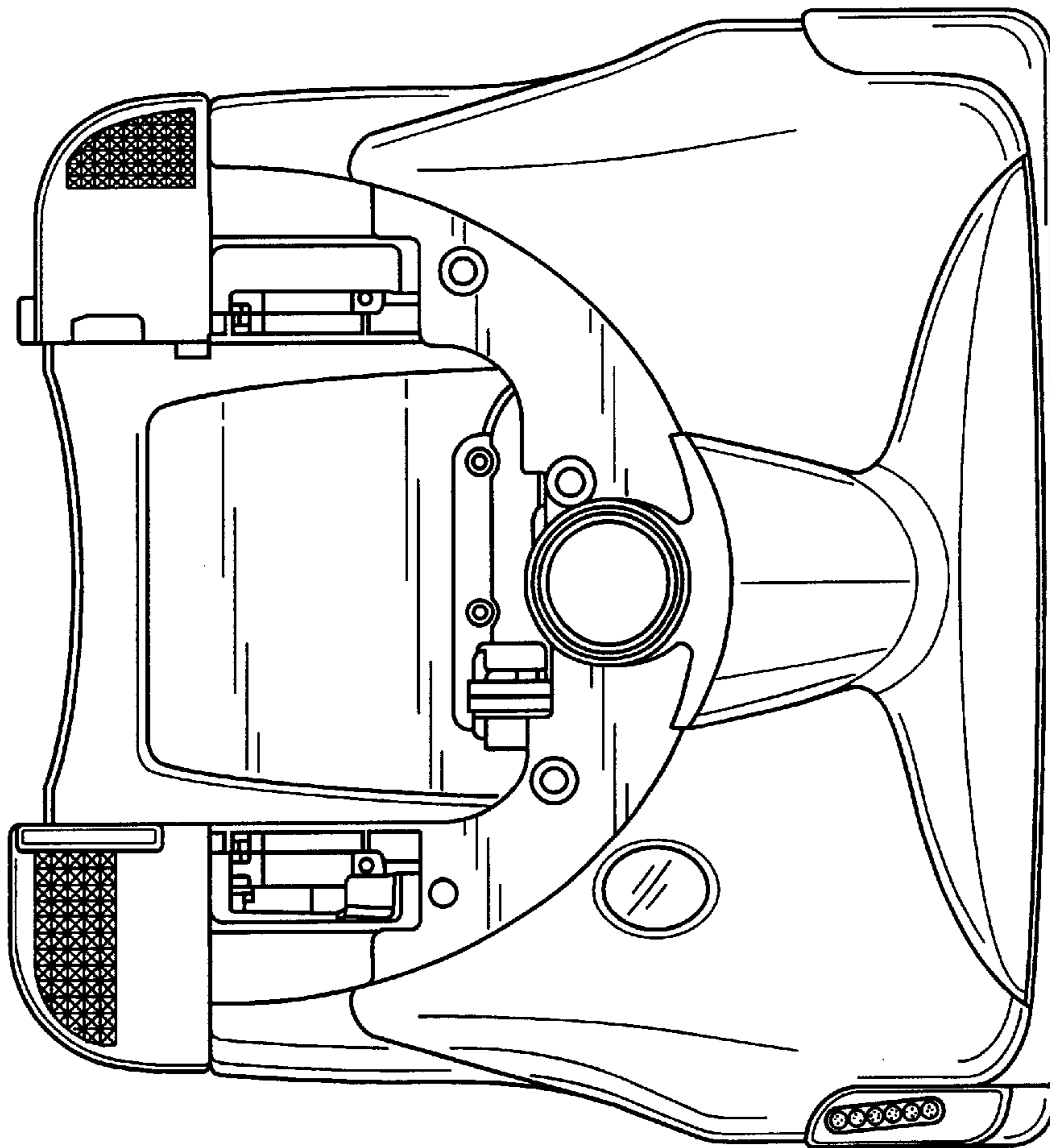


FIG. 3

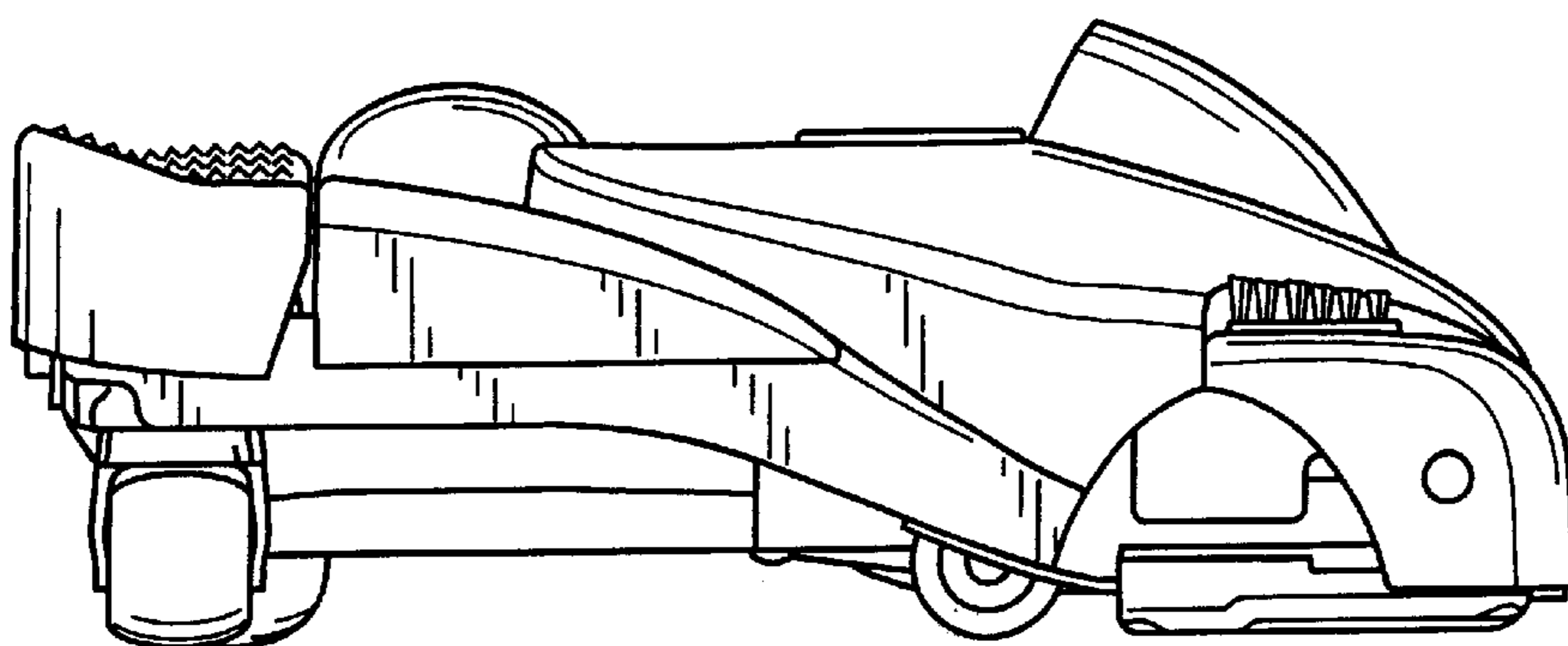


FIG. 4

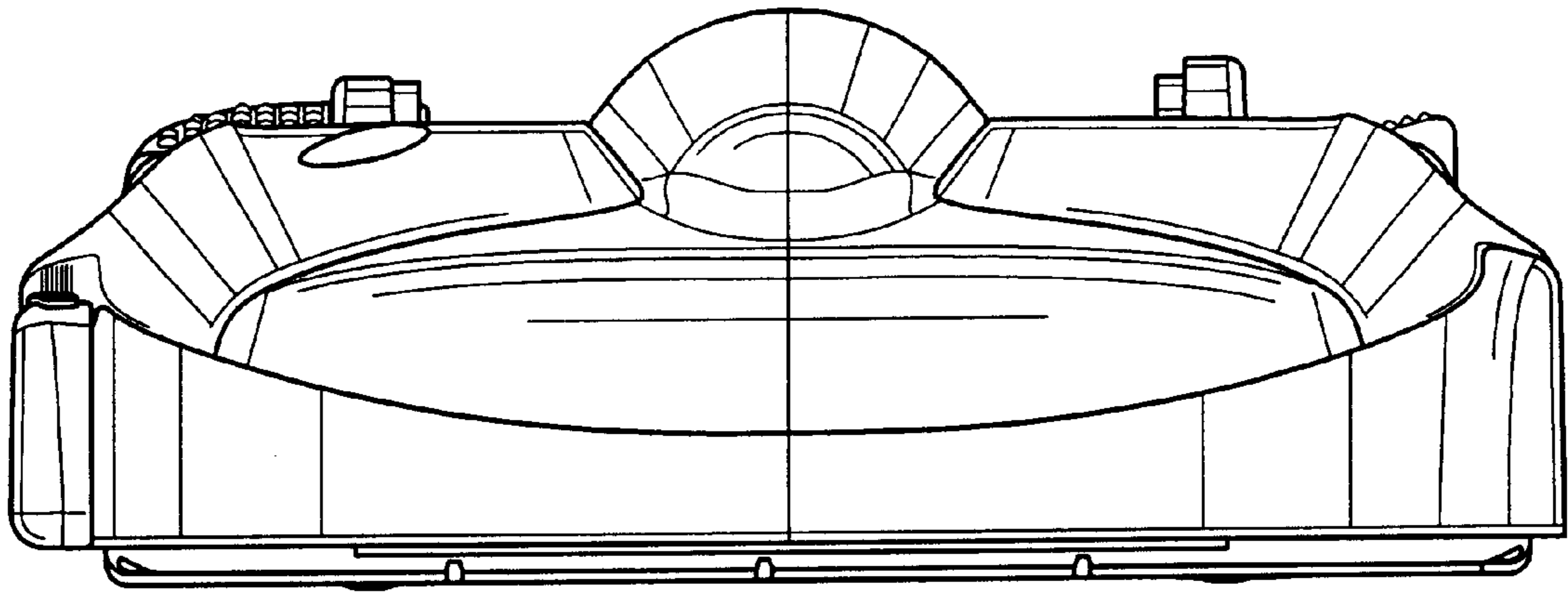


FIG. 7

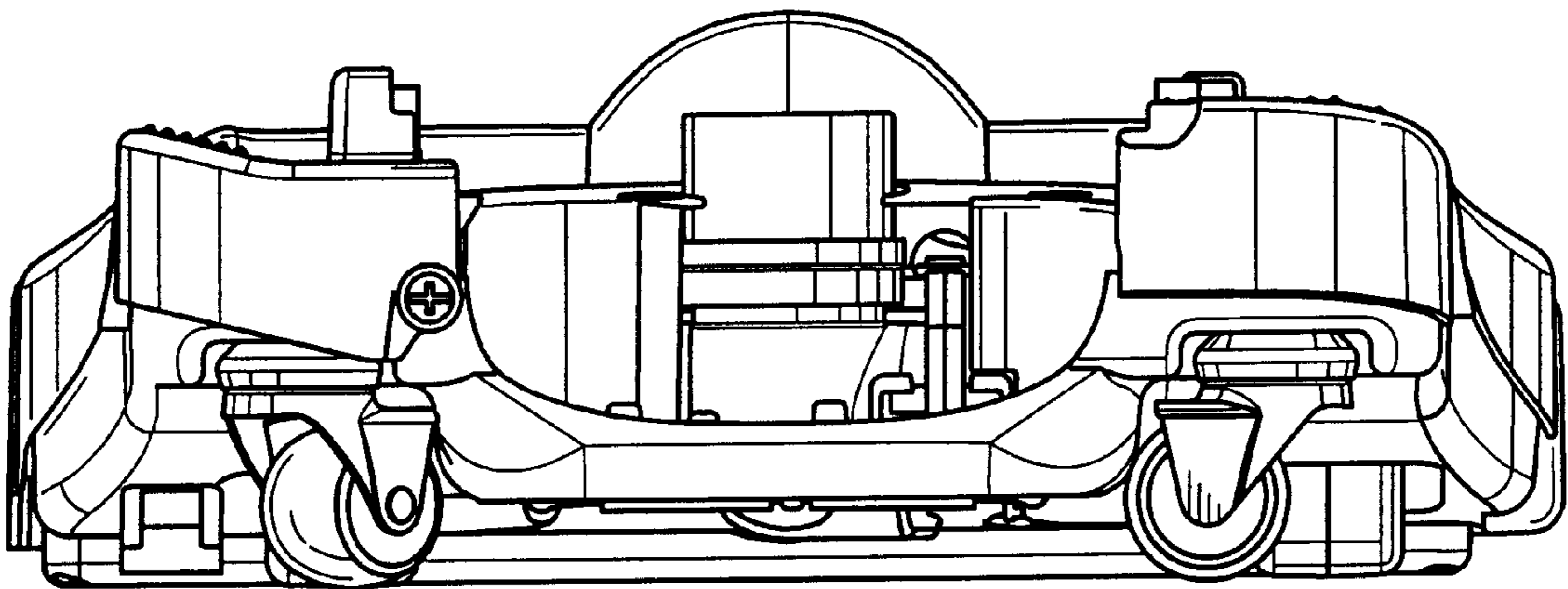


FIG. 8