



US00D463079S

(12) **United States Design Patent**
Leyden

(10) **Patent No.:** **US D463,079 S**

(45) **Date of Patent:** **** Sep. 17, 2002**

(54) **TOOL CADDY FOR VACUUM CLEANER**

(75) **Inventor:** **Christian S. Leyden**, Danville, KY (US)

(73) **Assignee:** **Matsushita Electric Corporation of America**, Secaucus, NJ (US)

(**) **Term:** **14 Years**

(21) **Appl. No.:** **29/135,409**

(22) **Filed:** **Jan. 12, 2001**

(51) **LOC (7) Cl.** **15-05**

(52) **U.S. Cl.** **D32/31**

(58) **Field of Search** D32/21-22, 25, D32/31, 34; 15/329, 320-321, 323, 350-353

(56) **References Cited**

U.S. PATENT DOCUMENTS

D295,910 S	5/1988	Hill
D329,511 S	9/1992	McKnight
D330,616 S	10/1992	Wareham et al.
D333,020 S	2/1993	McKnight
D334,260 S	3/1993	Kieft et al.
D344,821 S	3/1994	McKnight
D363,163 S	10/1995	Funatsu et al.
D381,482 S	7/1997	Medema et al.

D383,882 S	9/1997	Medema
D391,703 S	3/1998	Miller et al.
D426,358 S	6/2000	Saunders et al.
6,108,861 A *	8/2000	Vystreil et al. 15/323
D434,886 S	12/2000	Wareham et al.
D435,708 S *	12/2000	Medema et al. D32/31
6,260,233 B1 *	7/2001	Wareham et al. 15/323

* cited by examiner

Primary Examiner—Ruth McInroy

(74) *Attorney, Agent, or Firm*—King & Schickli, PLLC

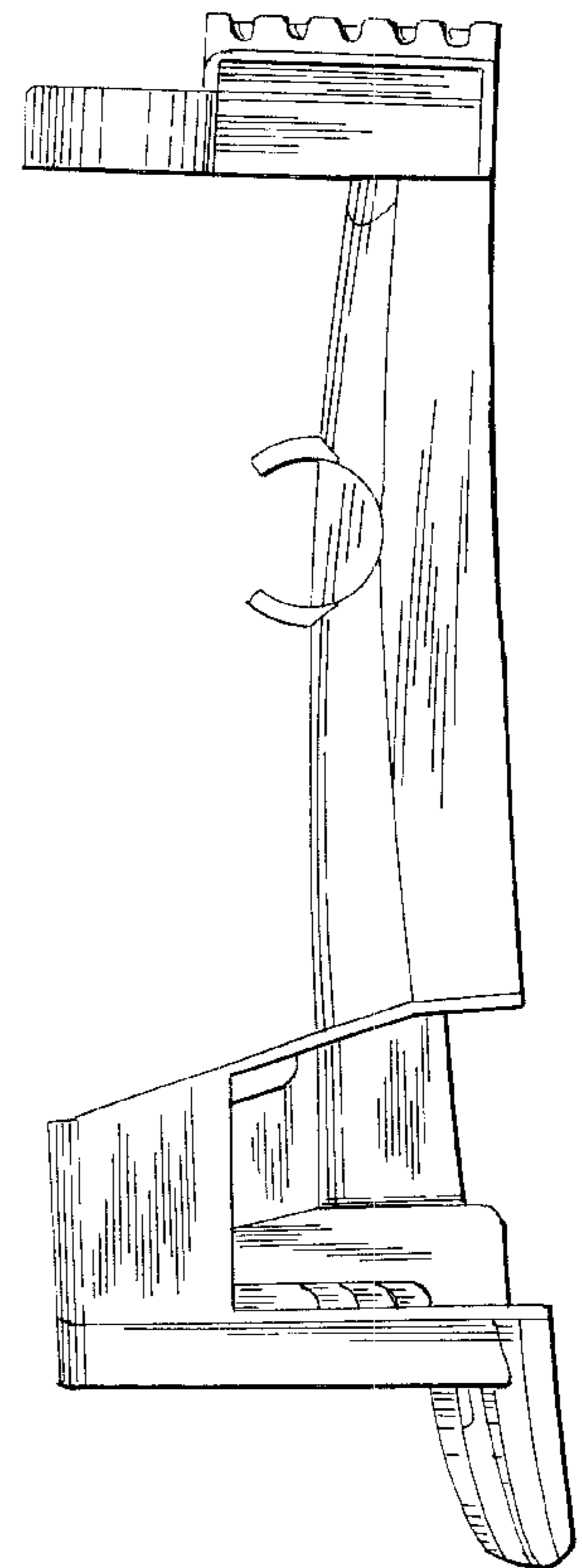
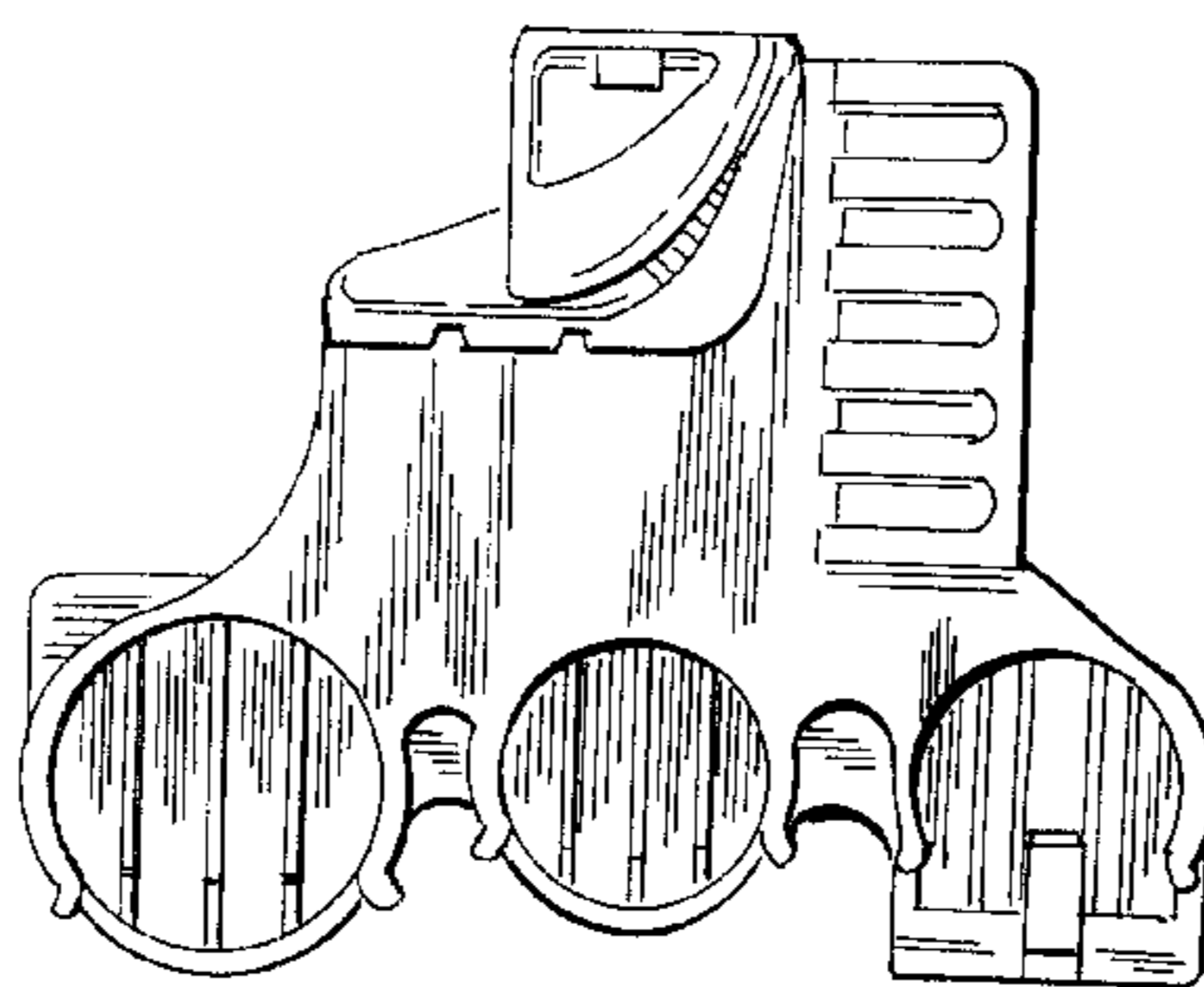
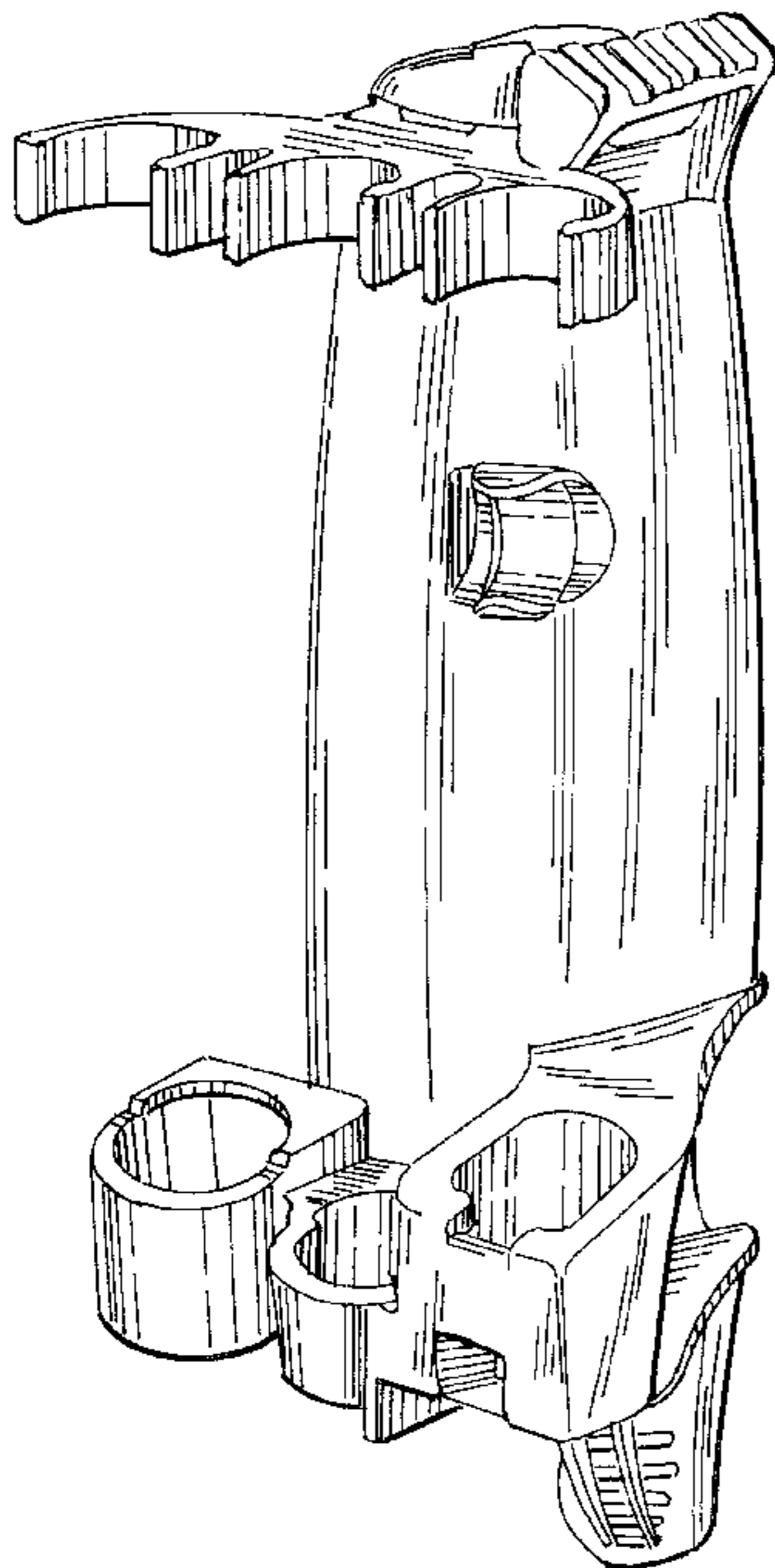
(57) **CLAIM**

The ornamental design of a tool caddy for vacuum cleaner, shown and described.

DESCRIPTION

FIG. 1 is a perspective view of a tool caddy for vacuum cleaner showing my new design; FIG. 2 is a top plan view thereof; FIG. 3 is a right side elevational view thereof; FIG. 4 is a left side elevational view thereof. FIG. 5 is a front elevational view thereof; and, FIG. 6 is a bottom plan view thereof. The details shown in broken lines are for illustrative purposes only and form no part of the claimed design.

1 Claim, 3 Drawing Sheets



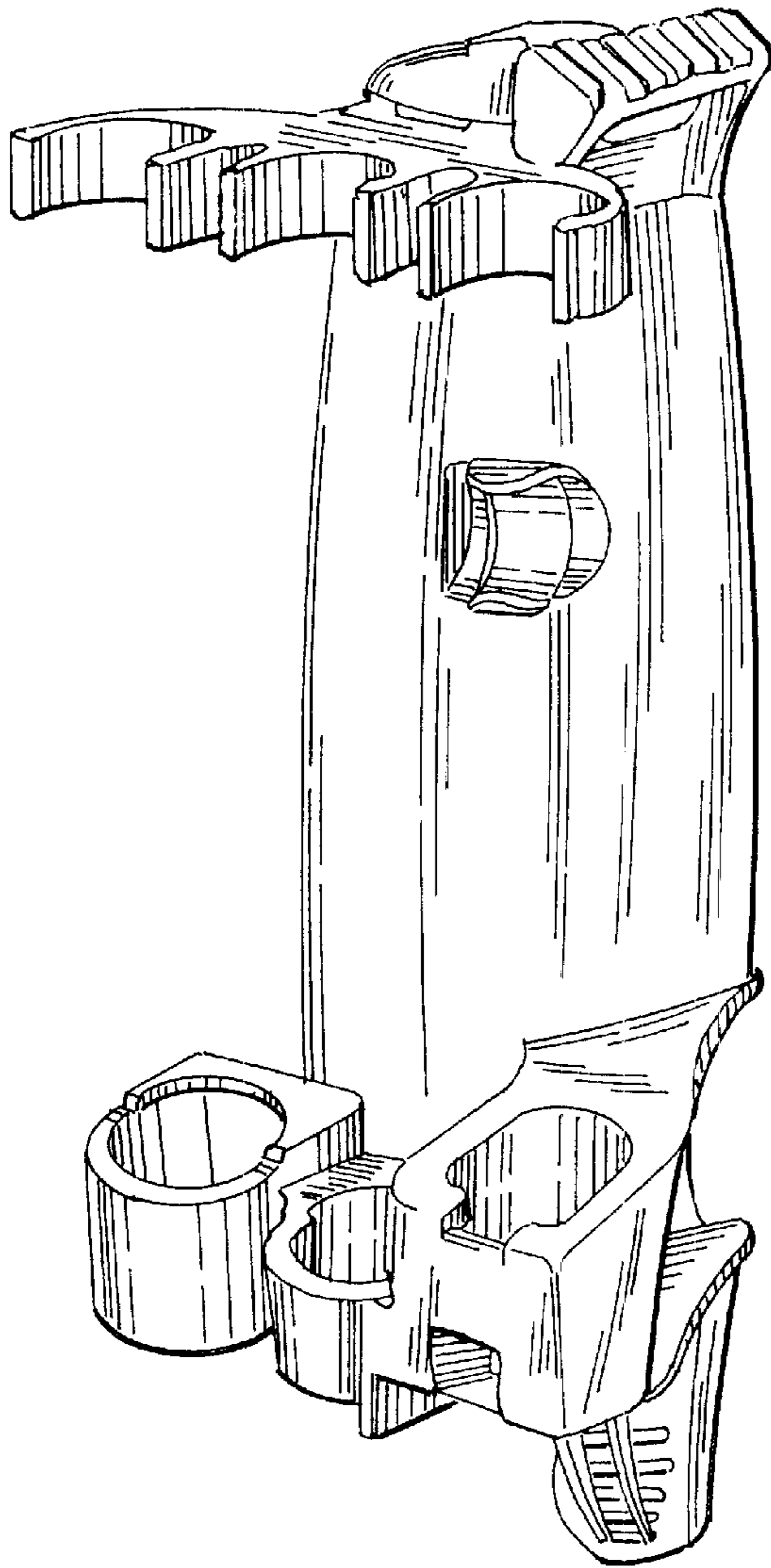


Fig. 1

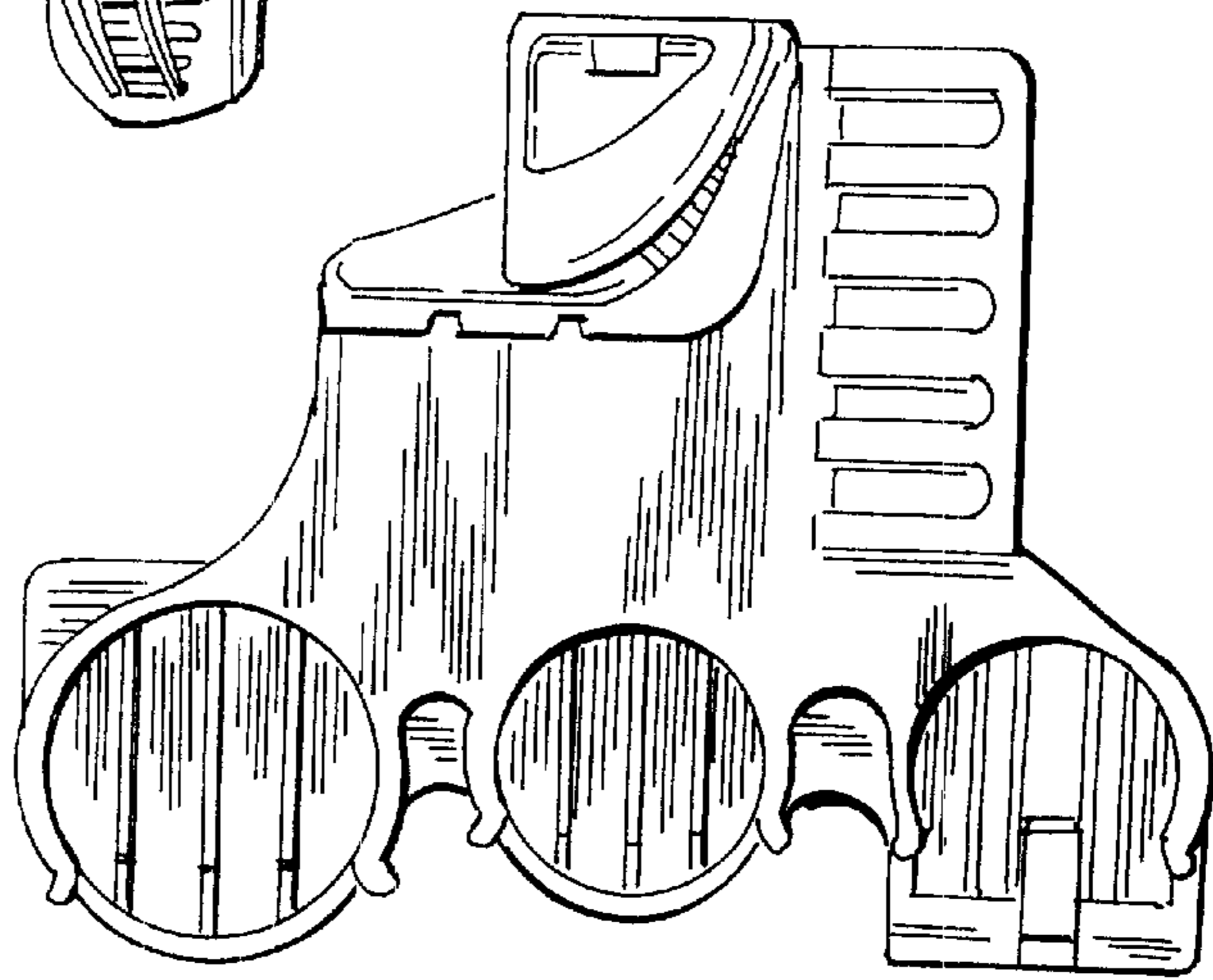


Fig. 2

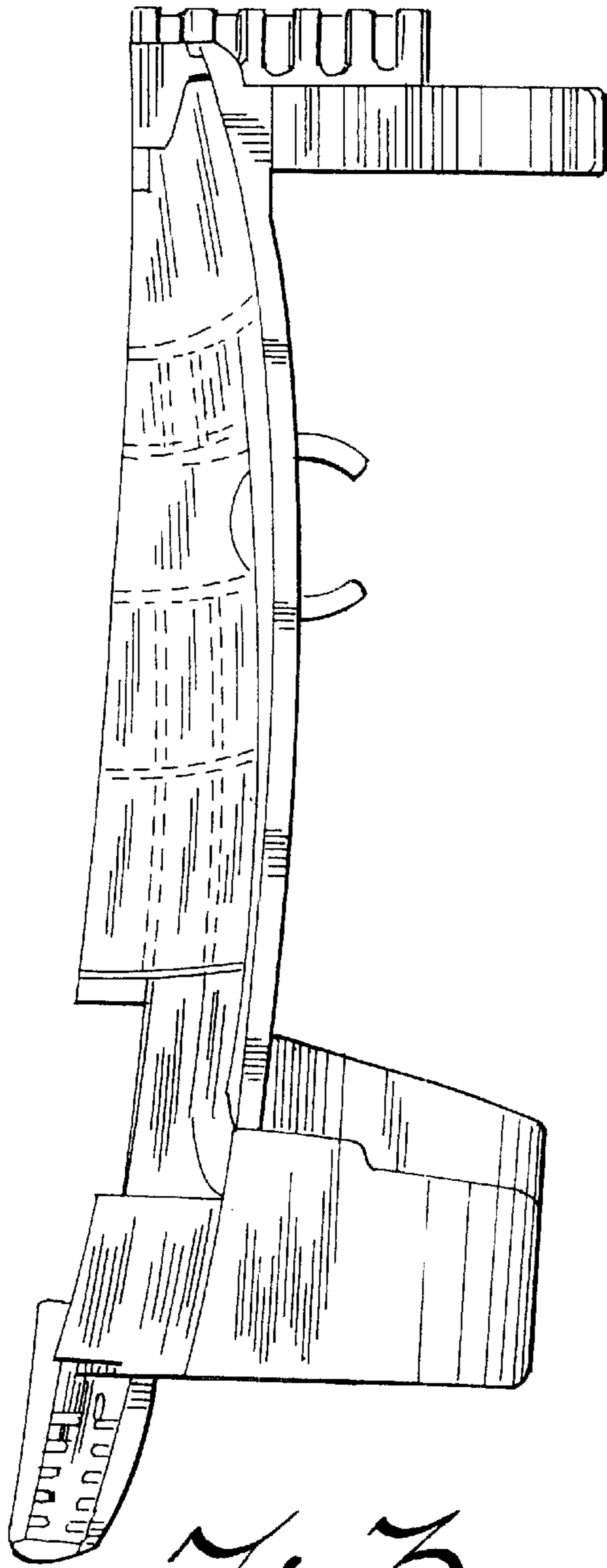


Fig. 3

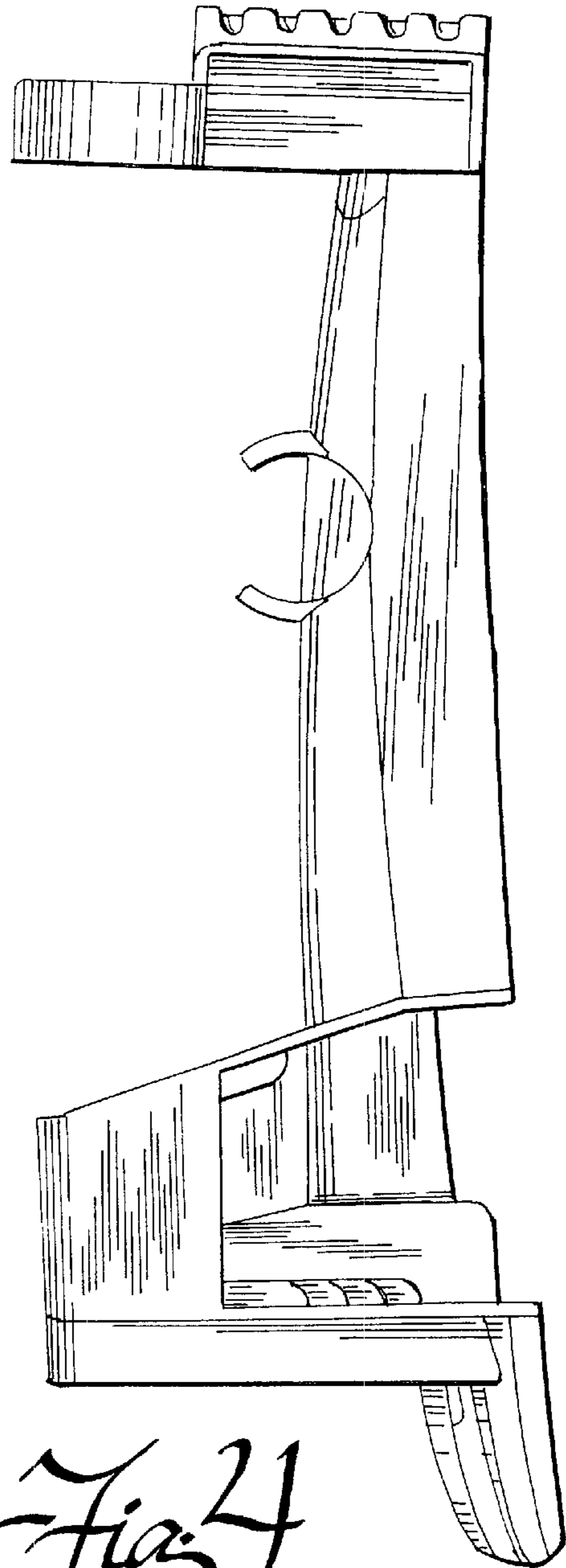


Fig. 4

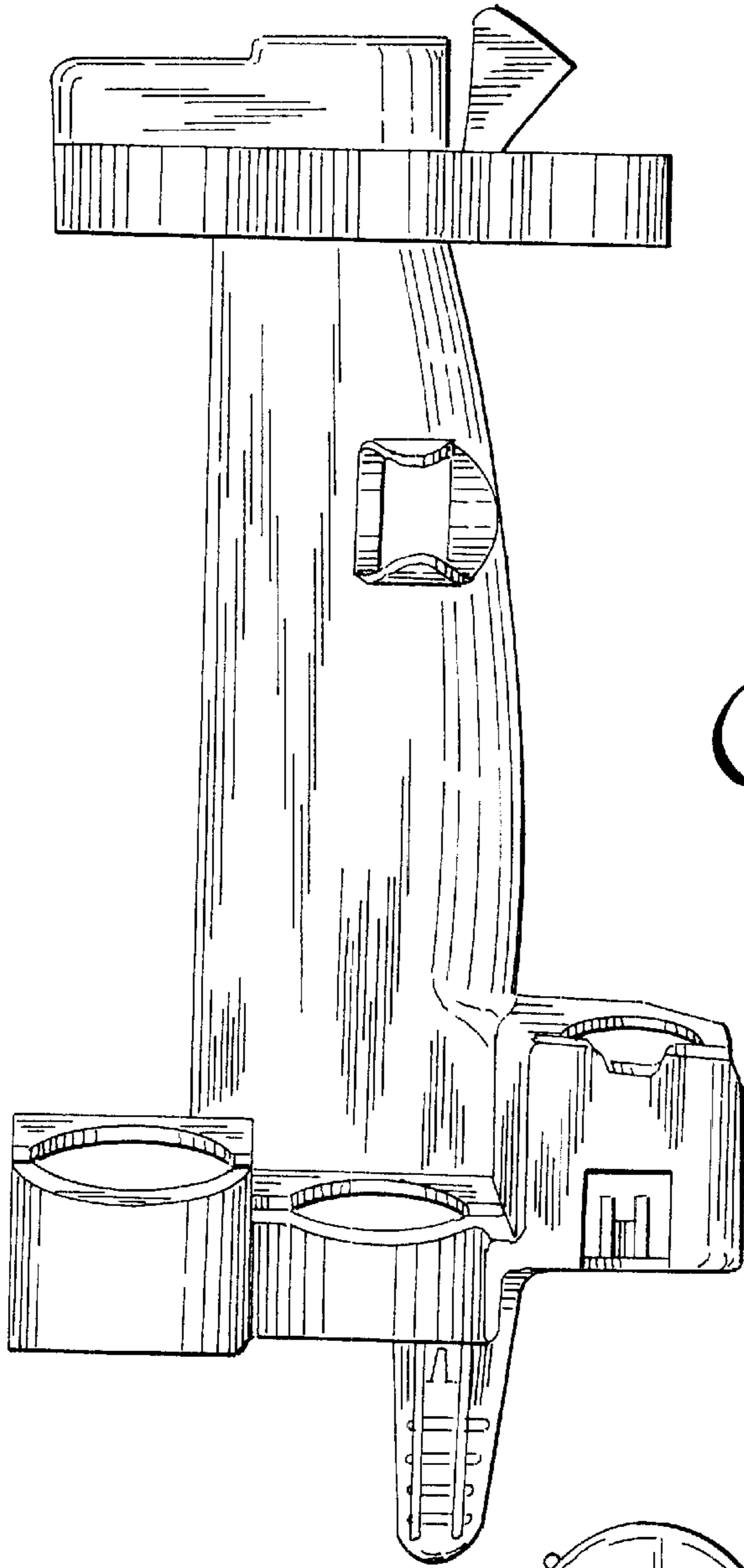


Fig 5

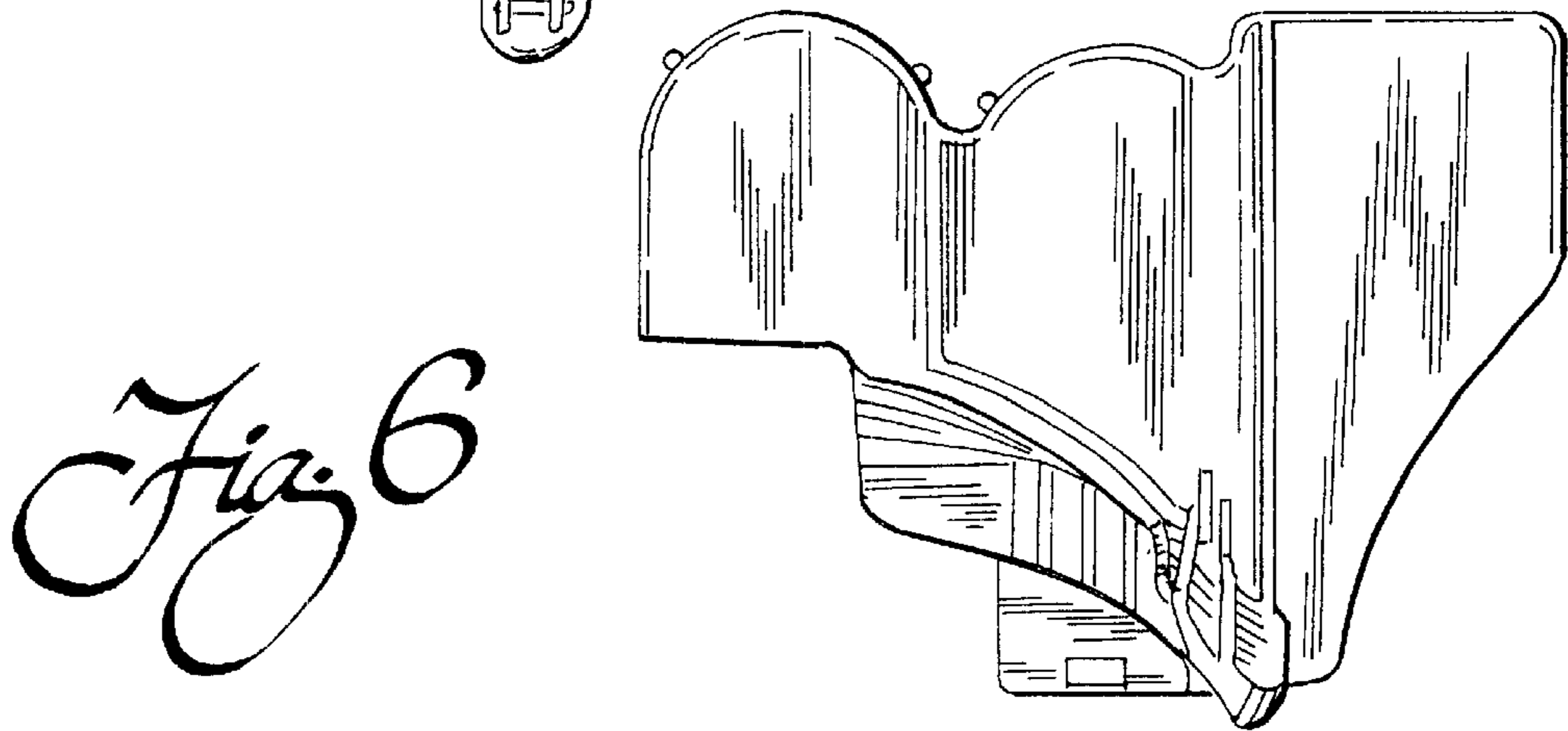


Fig 6