



US00D463077S

(12) **United States Design Patent**
Kim

(10) **Patent No.:** **US D463,077 S**

(45) **Date of Patent:** **** Sep. 17, 2002**

(54) **VACUUM CLEANER**

(75) **Inventor:** **Jae Gon Kim, Pusan (KR)**

(73) **Assignee:** **Sung Kwang Electronic Co., Ltd.,
Kyungsangnam-Do (KR)**

(**) **Term:** **14 Years**

(21) **Appl. No.:** **29/150,348**

(22) **Filed:** **Nov. 21, 2001**

(51) **LOC (7) Cl. 15-05**

(52) **U.S. Cl. D32/21**

(58) **Field of Search D32/17-18, 21-22,
D32/25, 31, 34; 15/320-322, 329, 341,
344, 347, 350-353, 361, 410-411, 377,
323, DIG. 10, 414-422.1**

(56) **References Cited**

U.S. PATENT DOCUMENTS

- D183,800 S * 10/1958 Lambert D32/21
- D214,397 S * 6/1969 Gantz D32/21
- D275,504 S * 9/1984 Miura D21/526

- D325,273 S * 4/1992 Ikeda et al. D32/21
- D339,617 S * 9/1993 Harashima D21/690
- D373,665 S * 9/1996 Nakamura et al. D32/21
- D417,046 S * 11/1999 Tsuruha et al. D32/21
- D417,047 S * 11/1999 Tsuda D32/21

* cited by examiner

Primary Examiner—Ruth McInroy

(74) *Attorney, Agent, or Firm*—Brinks Hofer Gilson & Lione

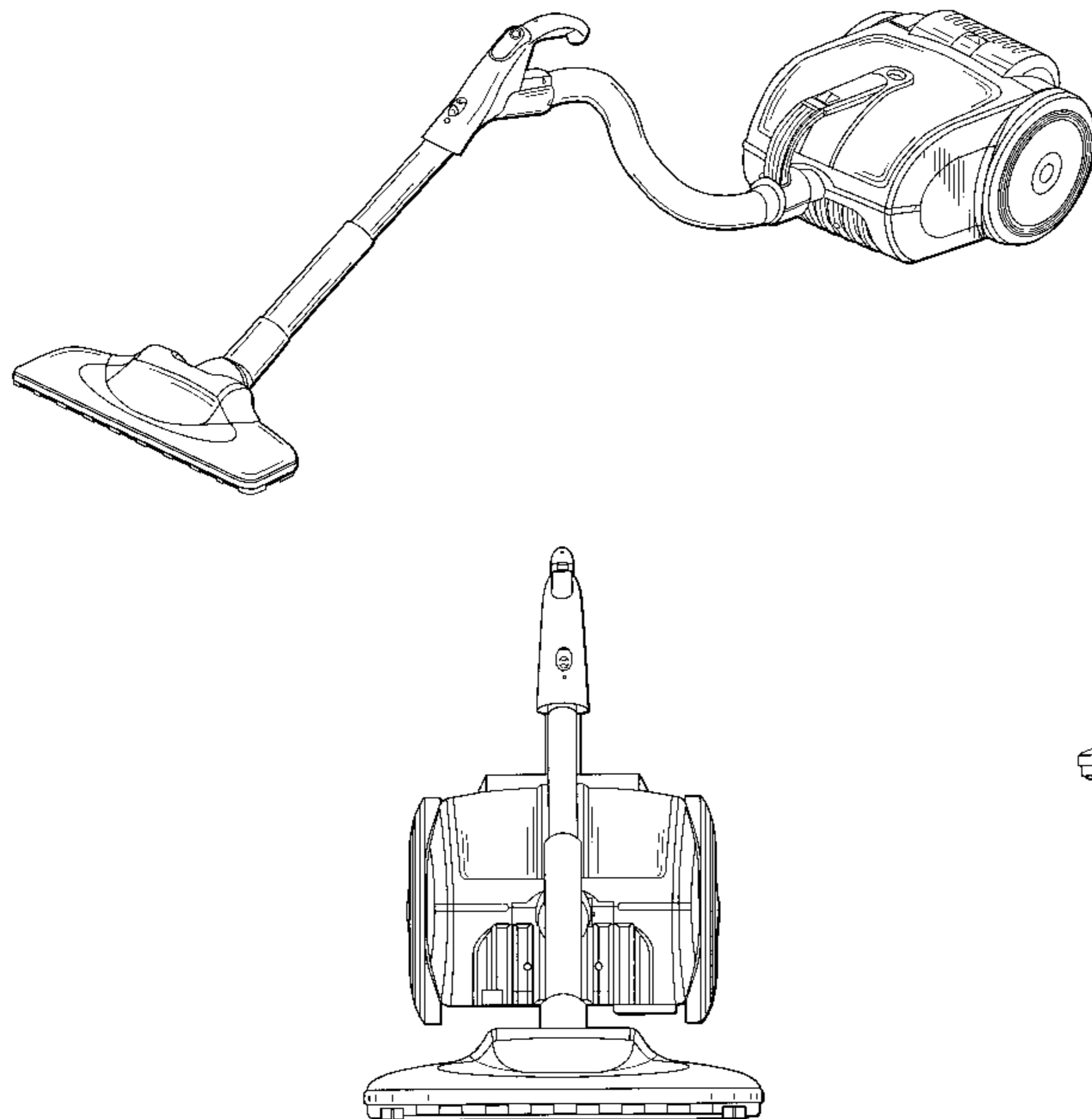
(57) **CLAIM**

The ornamental design for a vacuum cleaner, as shown.

DESCRIPTION

FIG. 1 is a perspective view of a vacuum cleaner, showing my new design;
 FIG. 2 is a front view thereof;
 FIG. 3 is a rear elevational view thereof;
 FIG. 4 is a left-side elevational view thereof;
 FIG. 5 is a right-side elevational view thereof;
 FIG. 6 is a top plan view thereof; and,
 FIG. 7 is a bottom plan view thereof.

1 Claim, 7 Drawing Sheets



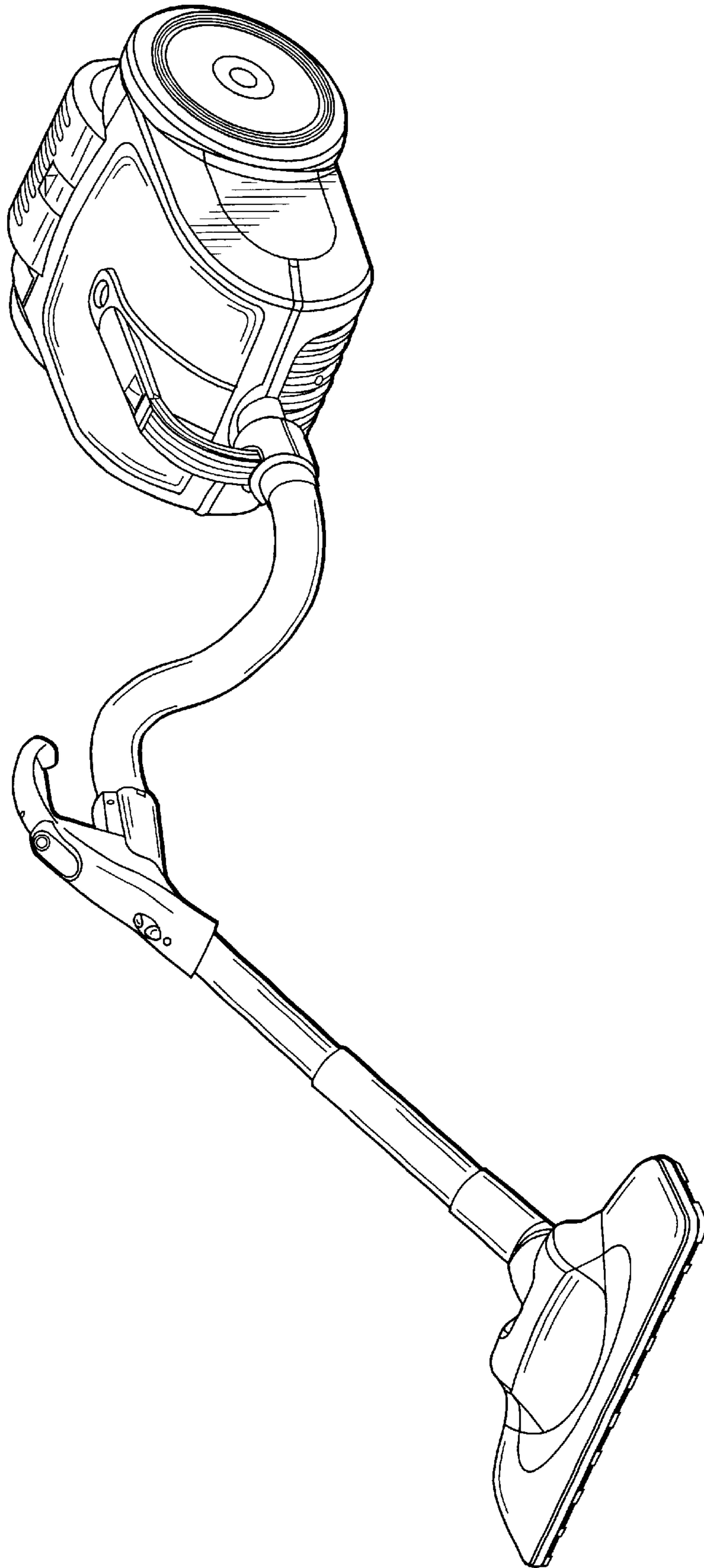


FIG. 1

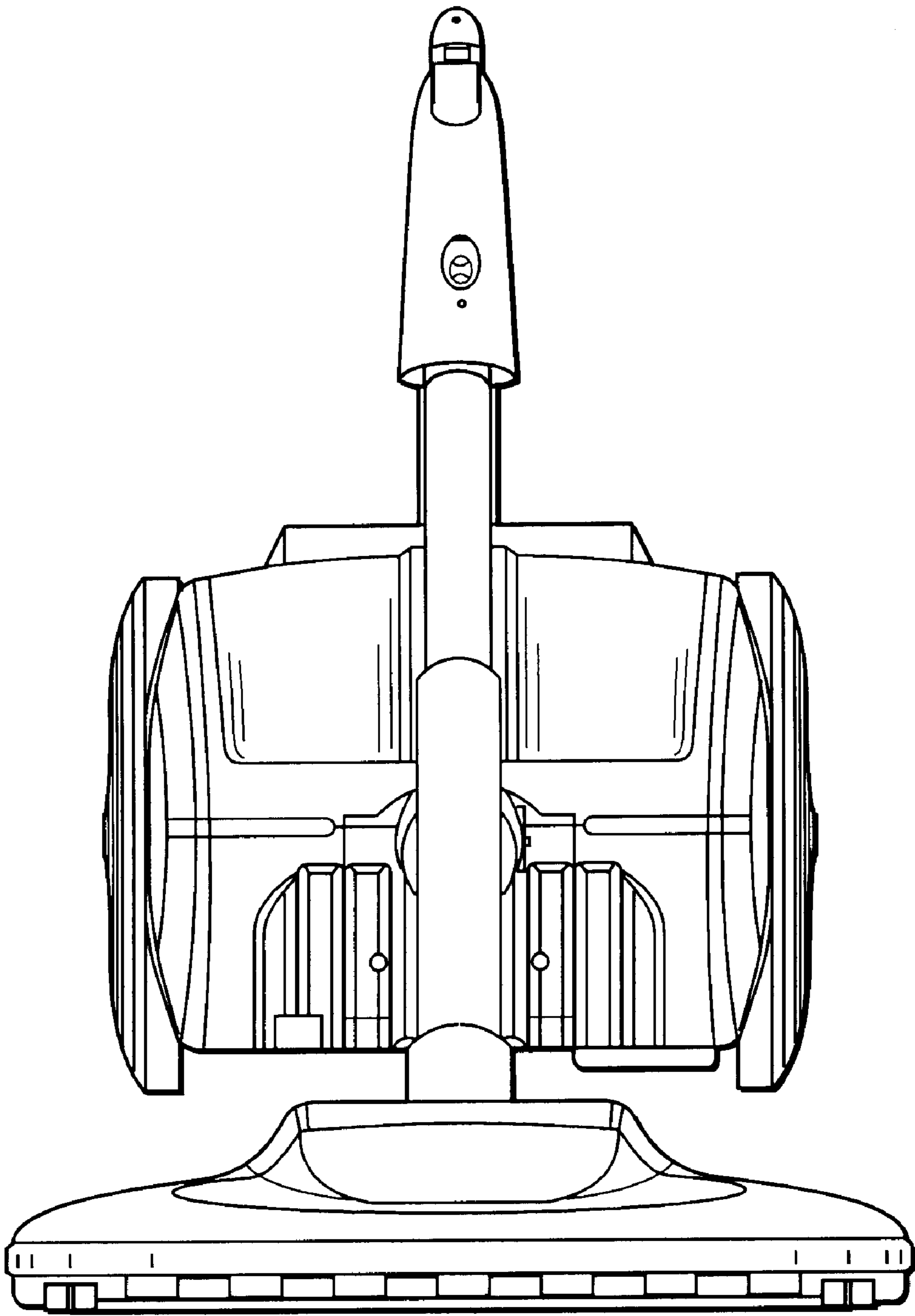


FIG. 2

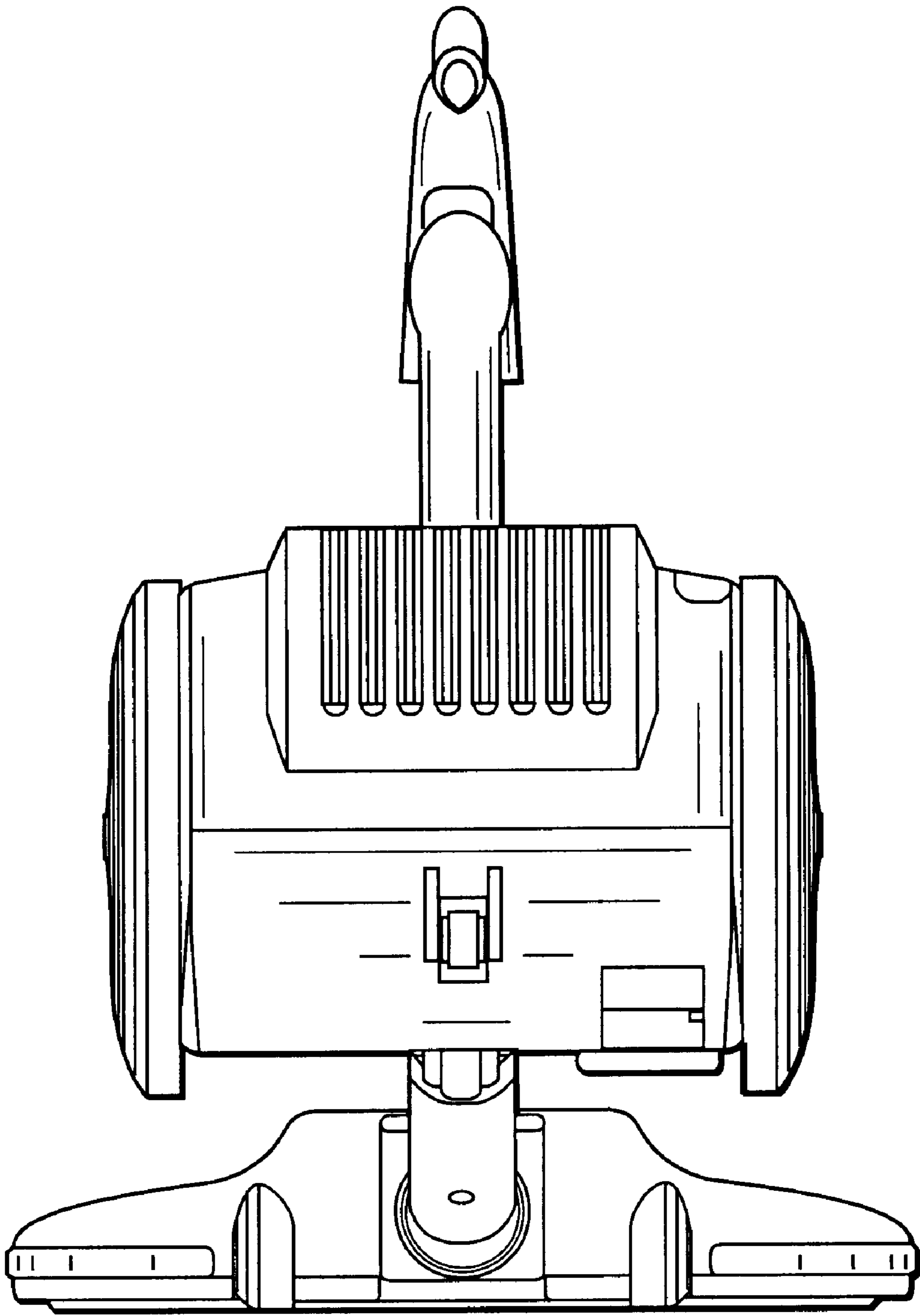


FIG. 3

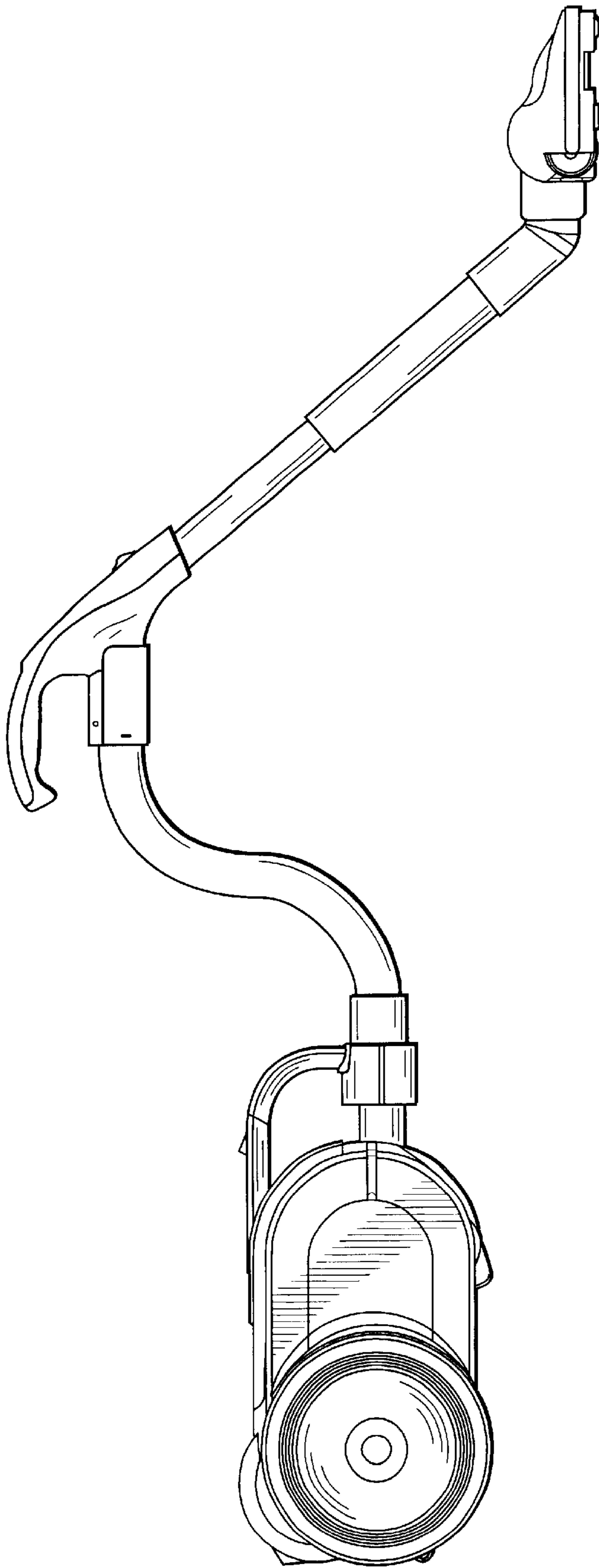


FIG. 4

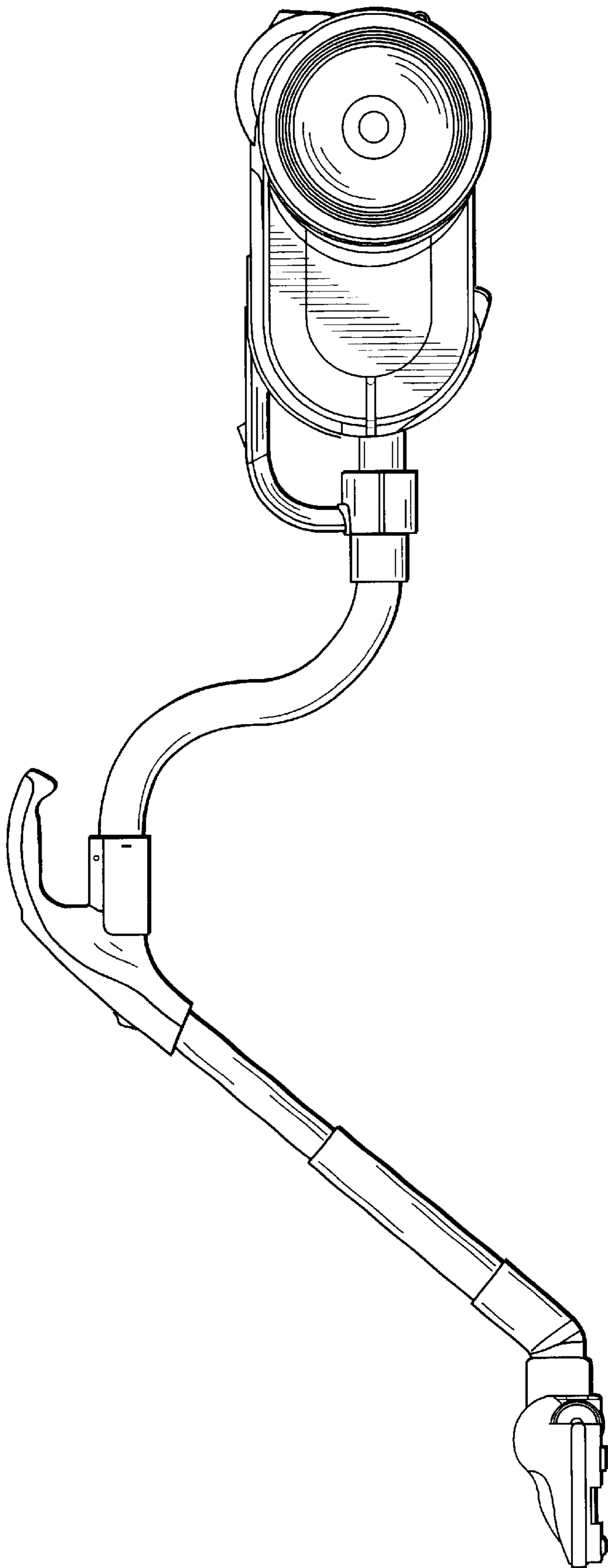


FIG. 5

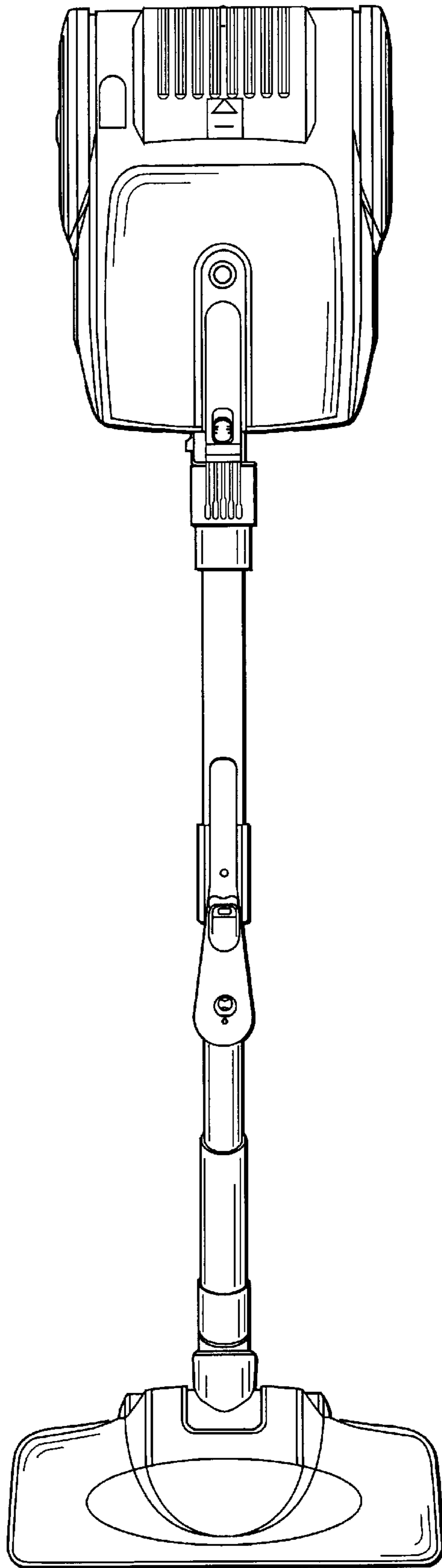


FIG. 6

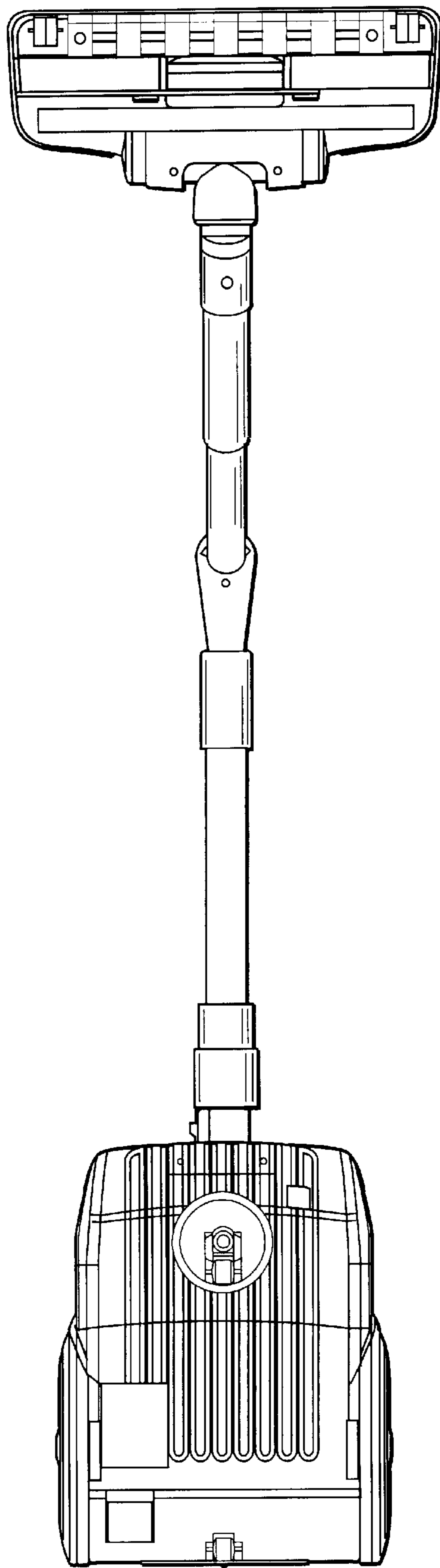


FIG. 7