



US00D463074S

(12) **United States Design Patent**
Couchon et al.

(10) **Patent No.:** **US D463,074 S**

(45) **Date of Patent:** **** Sep. 17, 2002**

(54) **RETRACTABLE LEASH SADDLE**
(75) Inventors: **Kathleen M. Couchon**, Narragansett, RI (US); **Patricia A. Sylvia**, Narragansett, RI (US); **Antone Macedo**, Manville, RI (US); **Peter A. Russo**, Bedford, MA (US)

| | | | |
|-------------|--------|--------------------|-----------|
| 5,718,192 A | 2/1998 | Sebastian | 119/795 |
| D393,504 S | 4/1998 | Eisman | 224/609 X |
| 5,890,637 A | 4/1999 | Furneaux | 119/795 |
| 6,019,067 A | 2/2000 | Carey | 119/795 |
| D425,266 S | 5/2000 | Rubenstein | D30/153 |
| 6,073,590 A | 6/2000 | Polding | 119/795 |
| 6,085,695 A | 7/2000 | Miller et al. | 119/795 |

(73) Assignee: **The Real Boss, LLC**, Hilo, HI (US)

(**) Term: **14 Years**

(21) Appl. No.: **29/132,608**

(22) Filed: **Nov. 9, 2000**

Primary Examiner—Louis S. Zarfaz
Assistant Examiner—Monica A. Weingart
(74) *Attorney, Agent, or Firm*—Samuels, Gauthier & Stevens

Related U.S. Application Data

(63) Continuation-in-part of application No. 29/101,737, filed on Mar. 10, 1999, now Pat. No. Des. 438,000.

(51) **LOC (7) Cl.** **30-04**

(52) **U.S. Cl.** **D30/153; D3/231**

(58) **Field of Search** D3/201, 231; D30/152, D30/153, 162; 119/712, 792, 793, 794, 795, 796, 797, 798; 224/609

(56) **References Cited**

U.S. PATENT DOCUMENTS

D272,428 S 1/1984 Kelley 224/609 X

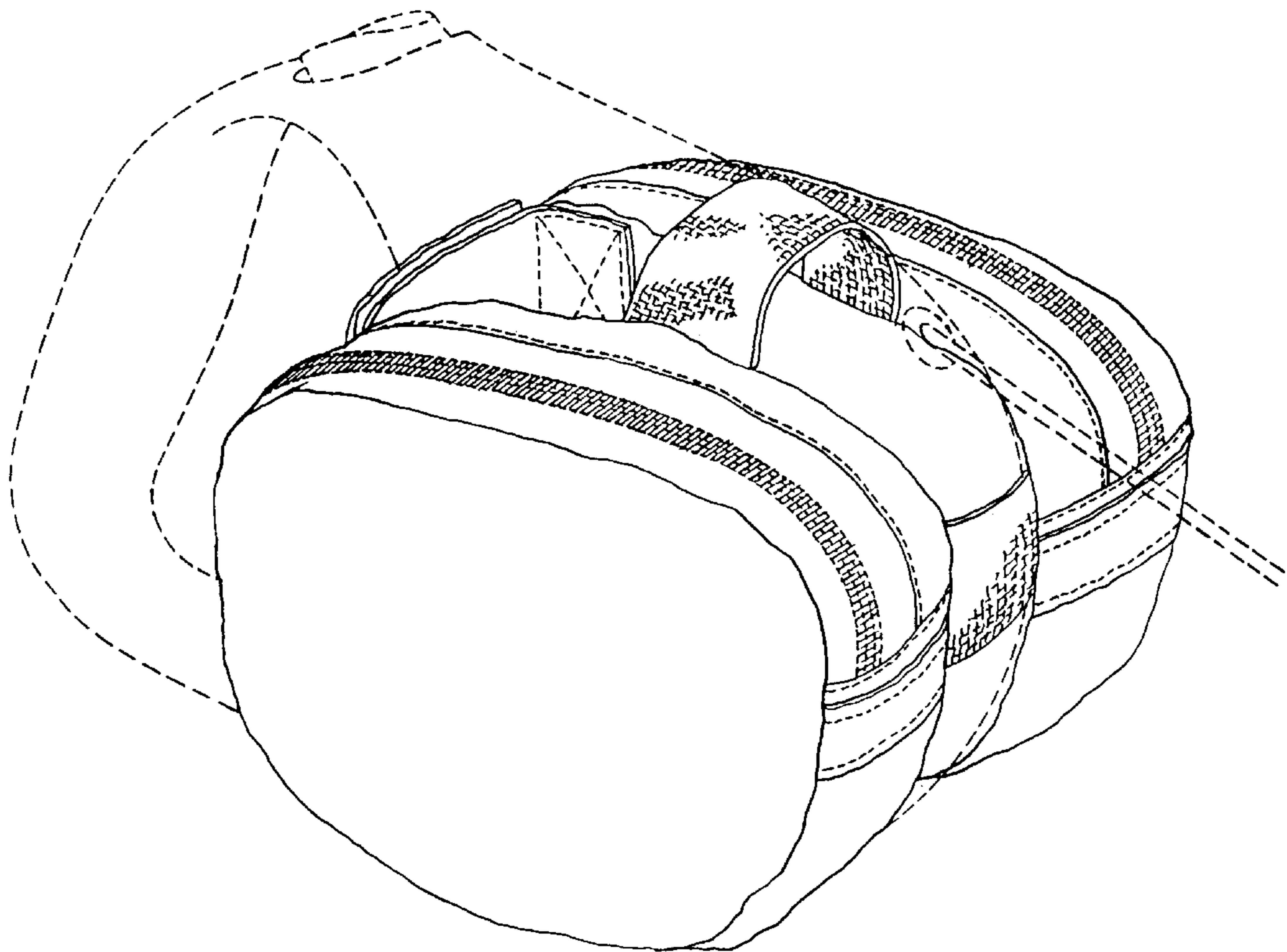
(57) **CLAIM**

The ornamental design for a retractable leash saddle, as shown and described.

DESCRIPTION

FIG. 1 is a front perspective view of a retractable leash saddle, showing our new design;
FIG. 2 is a front elevational view thereof;
FIG. 3 is a top plan view thereof;
FIG. 4 is a bottom plan view thereof;
FIG. 5 is a left side elevational view thereof; and,
FIG. 6 is a right side elevational view thereof.
The broken line showing of a retractable leash in FIG. 1 is for illustrative purposes only and forms no part of the claimed design.

1 Claim, 4 Drawing Sheets



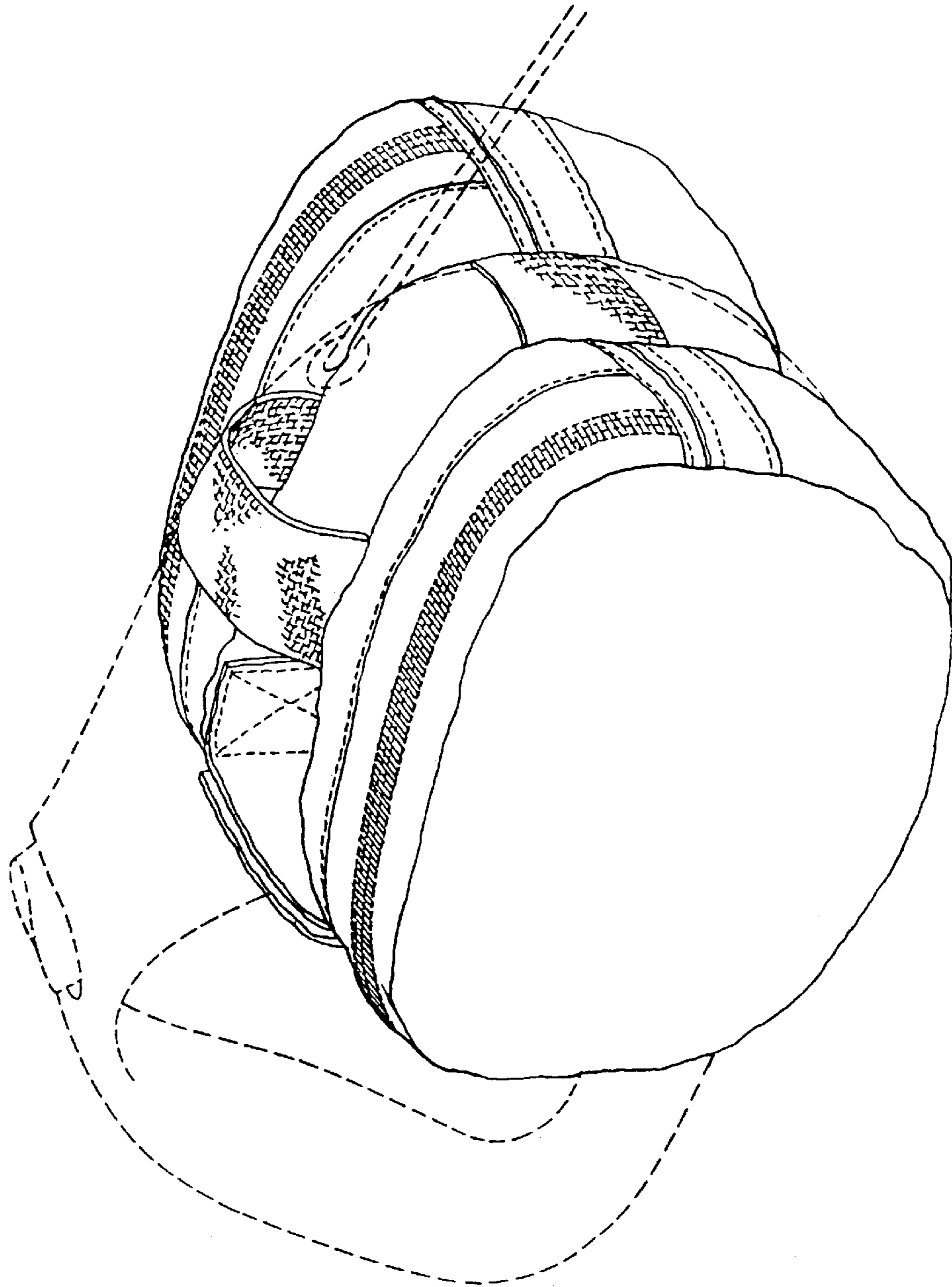


FIG. 1

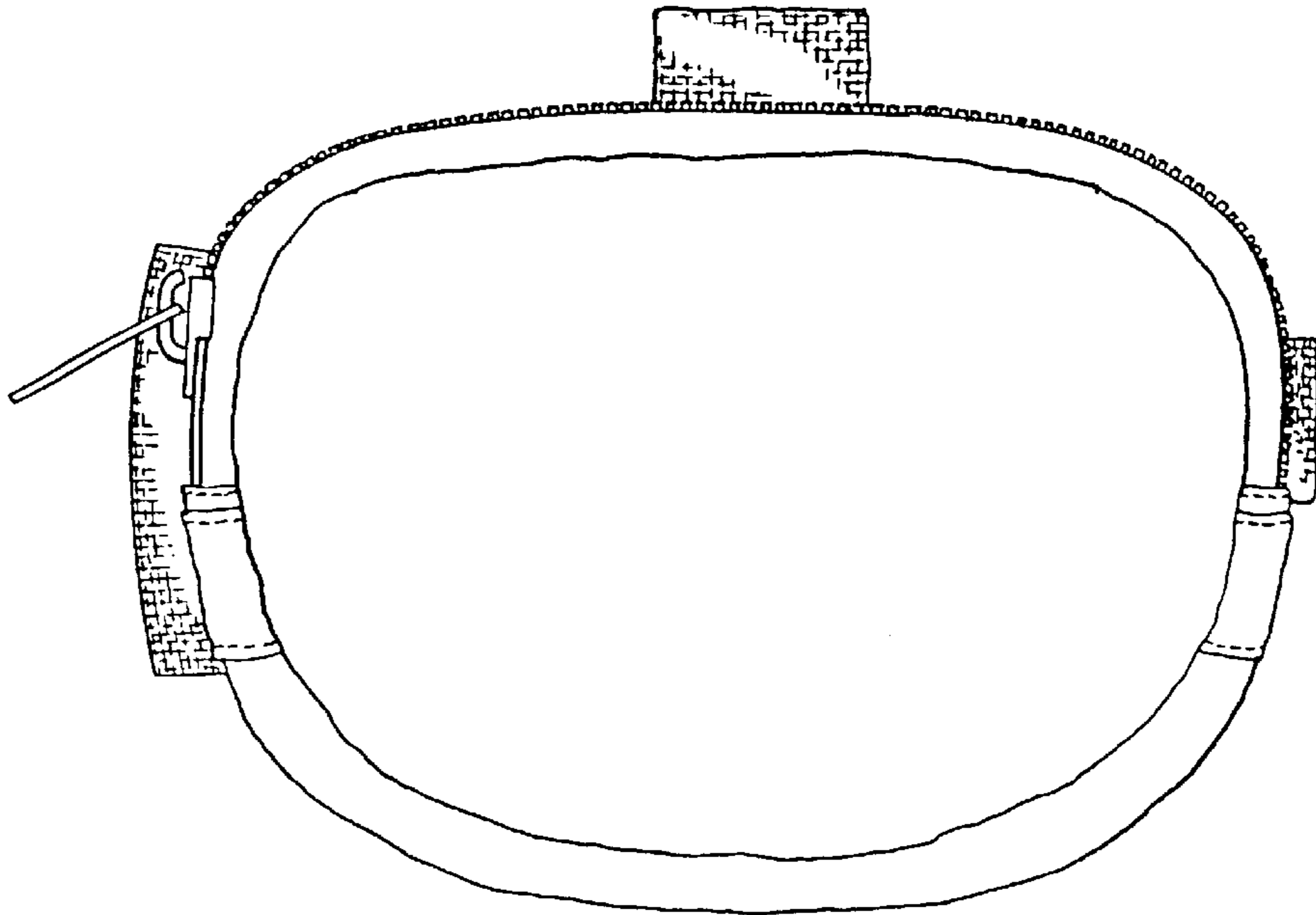


FIG. 2

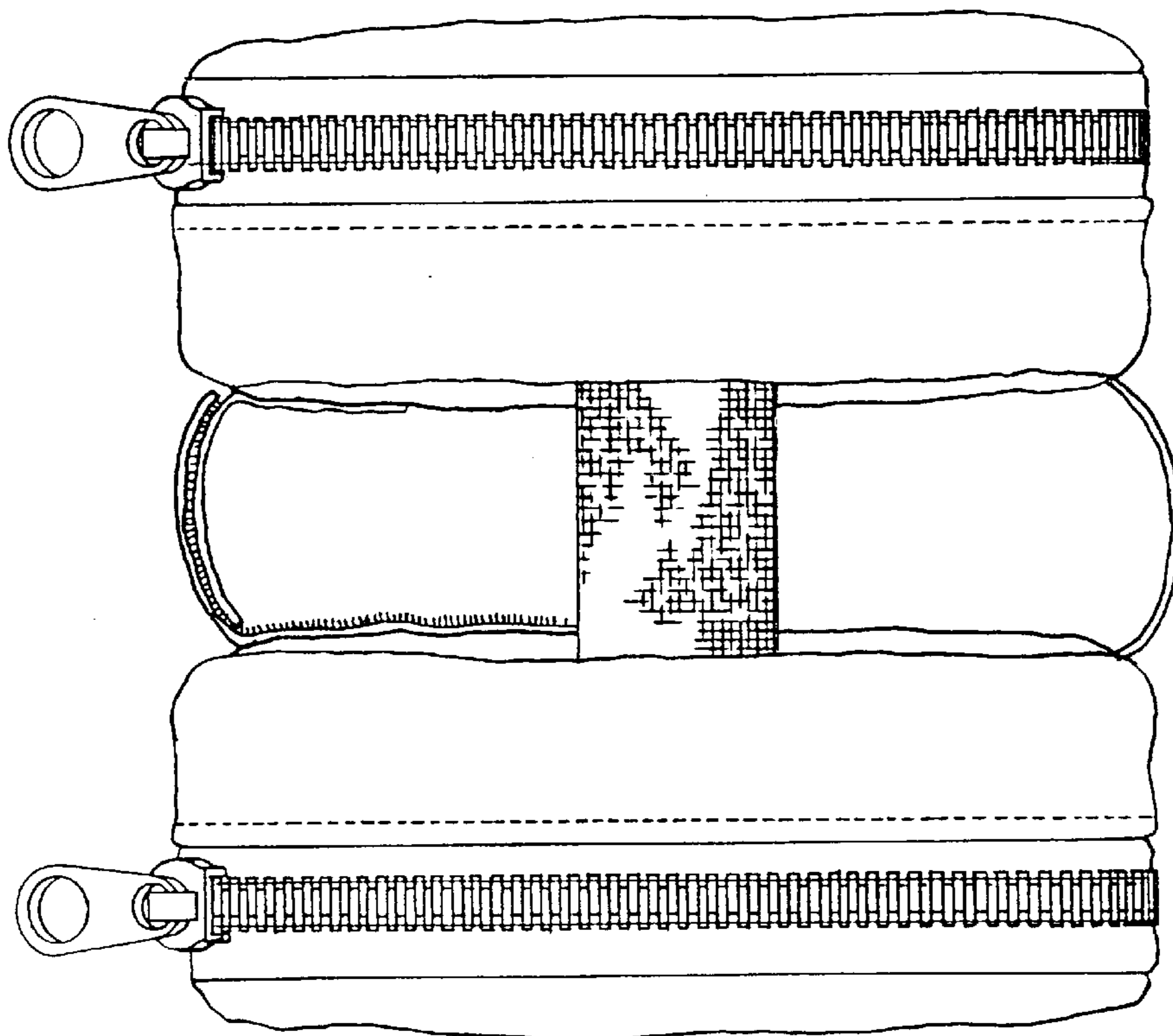


FIG. 3

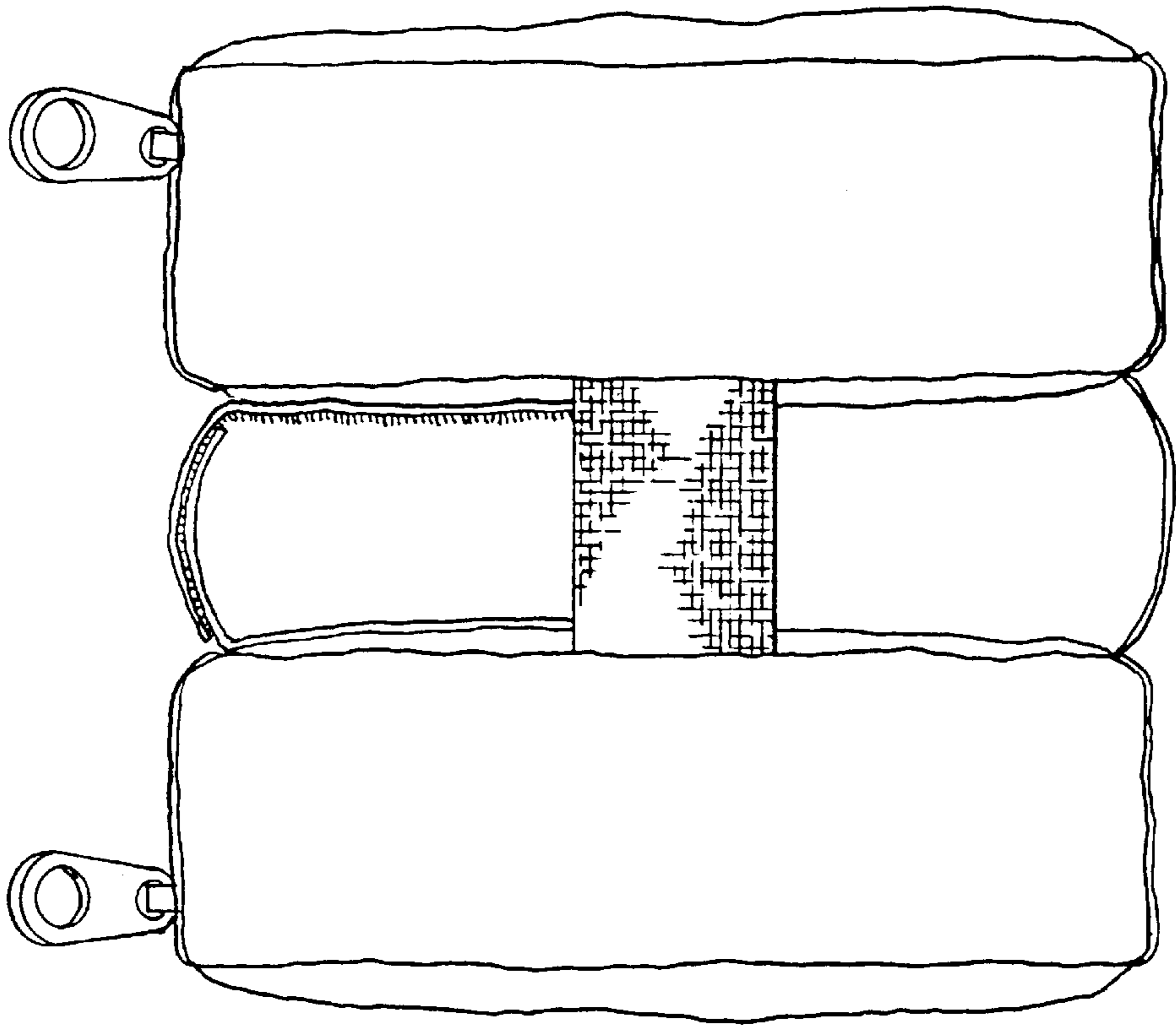


FIG. 4

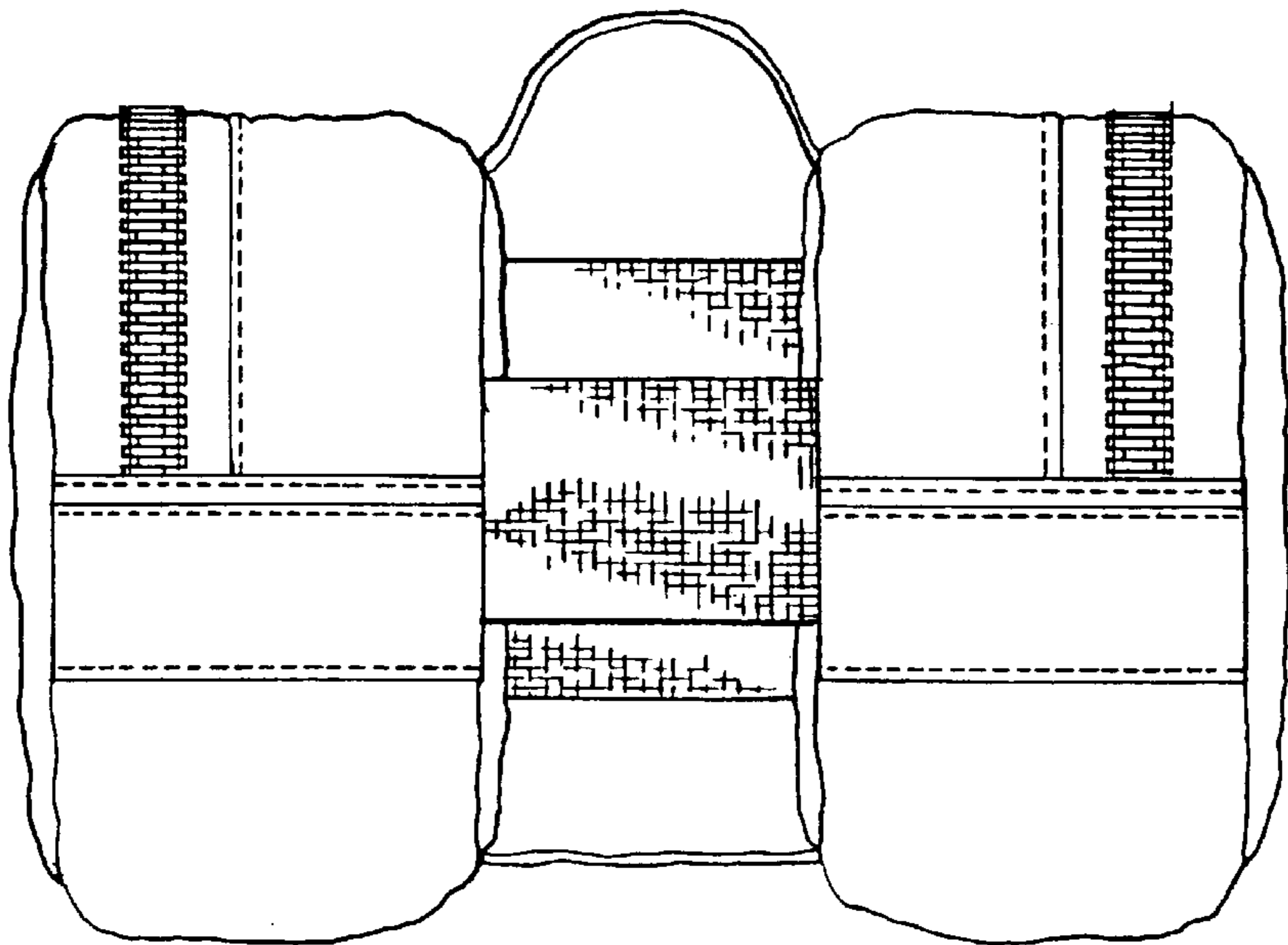


FIG. 5

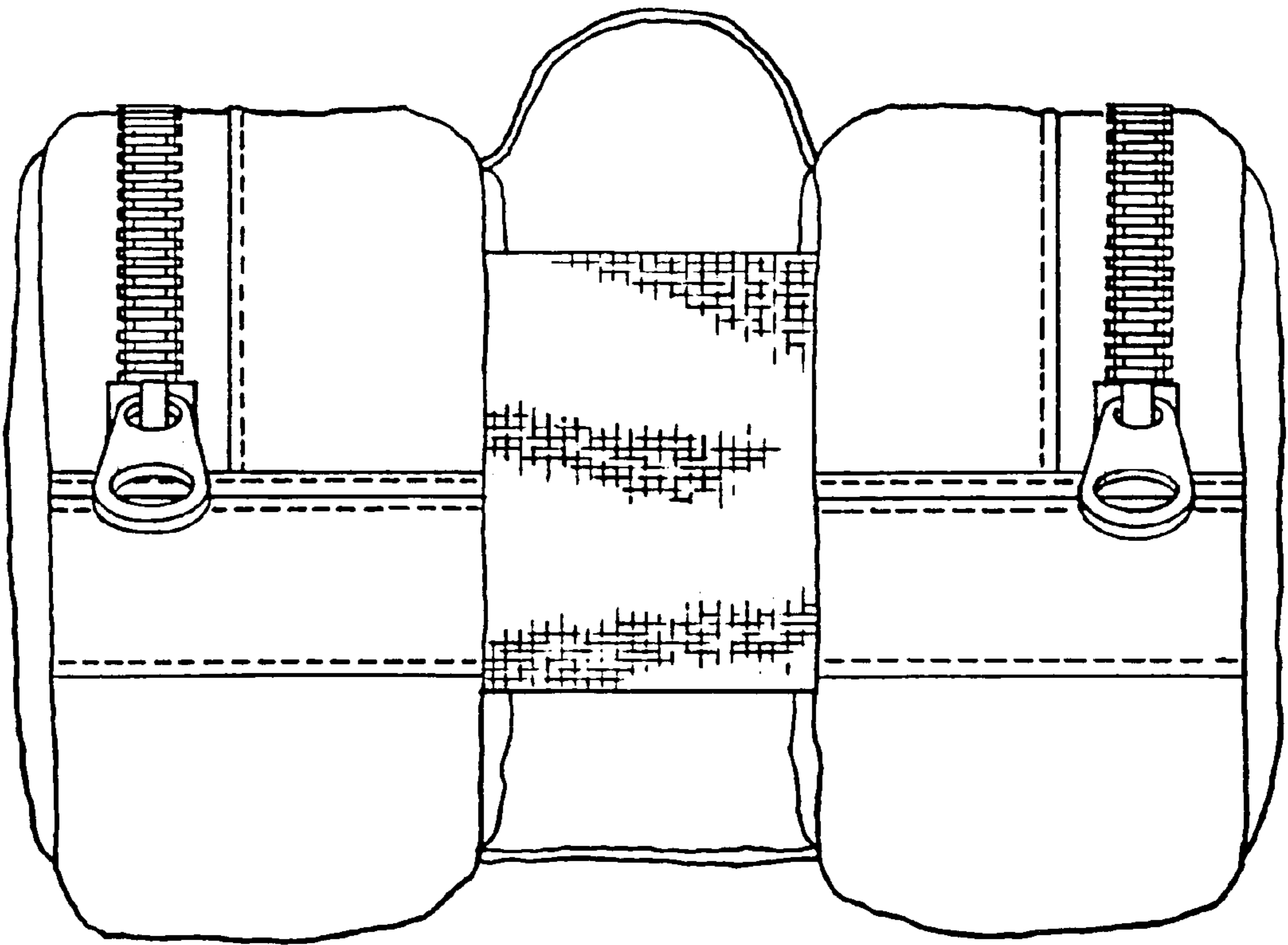


FIG. 6