



US00D463072S

(12) **United States Design Patent**
Munoz et al.

(10) **Patent No.:** **US D463,072 S**

(45) **Date of Patent:** **** Sep. 17, 2002**

(54) **KNEE PAD**

6,173,448 B1 1/2001 Kroposky

(75) Inventors: **Jose Munoz**, Pico Rivera; **Gustavo Gonzalez**, City of Commerce, both of CA (US)

* cited by examiner

Primary Examiner—Lucy Lieberman

(73) Assignee: **Heritage Leather Company, Inc.**, City of Commerce, CA (US)

(74) *Attorney, Agent, or Firm*—John J. Connors; Connors & Associates, Inc.

(**) Term: **14 Years**

(57) **CLAIM**

The ornamental design for a knee pad, as shown and described.

(21) Appl. No.: **29/152,585**

DESCRIPTION

(22) Filed: **Dec. 21, 2001**

(51) **LOC (7) Cl.** **29-02**

(52) **U.S. Cl.** **D29/121.1**

(58) **Field of Search** D29/121.1, 120.1, D29/122; 2/24, 267, 911.16; D24/190, 192; D2/901

FIG. 1 is a top plan view of the first embodiment of the ornamental knee pad of this invention.

FIG. 2 is a left hand side view of the first embodiment of the ornamental knee pad of this invention.

FIG. 3 is a front view of the first embodiment of the ornamental knee pad of this invention.

FIG. 4 is a right hand side view of the first embodiment of the ornamental knee pad of this invention.

FIG. 5 is a rear view of the first embodiment of the ornamental knee pad of this invention.

FIG. 6 is a bottom plan view of the first embodiment of the ornamental knee pad of this invention.

FIG. 7 is a top plan view of a second embodiment of the ornamental knee pad of this invention.

FIG. 8 is a left hand side view of the second embodiment of the ornamental knee pad of this invention.

FIG. 9 is a front view of the second embodiment of the ornamental knee pad of this invention.

FIG. 10 is a right hand side view of the second embodiment of the ornamental knee pad of this invention.

FIG. 11 is a rear view of the second embodiment of the ornamental knee pad of this invention; and,

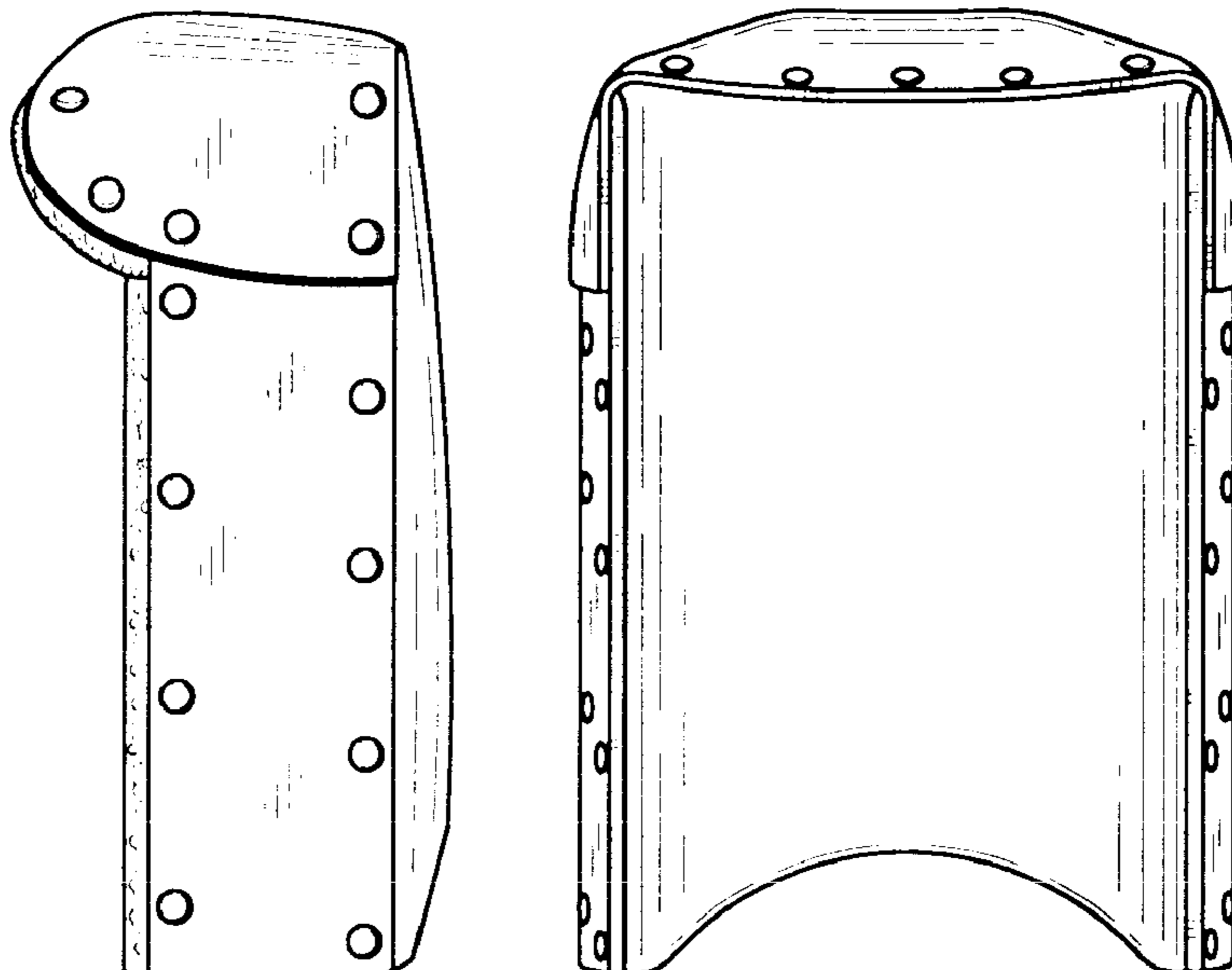
FIG. 12 is a bottom plan view of the second embodiment of the ornamental knee pad of this invention.

(56) **References Cited**

U.S. PATENT DOCUMENTS

1,074,531	A	*	9/1913	Schmitt	2/24
1,090,408	A		3/1914	Peoples		
1,090,446	A	*	3/1914	Boynton	2/24
1,449,656	A	*	3/1923	Compton	2/24
1,452,360	A	*	4/1923	Clarke	2/24
1,486,308	A		3/1924	Shook	2/24
1,666,846	A		4/1928	Cooper	2/24
4,024,584	A		5/1977	Smith		
D245,206	S	*	8/1977	Magnan	D29/121.1
4,772,071	A		9/1988	Richards		
5,031,240	A		7/1991	Nierhaus		
5,125,479	A		6/1992	Nemes et al.		
5,309,570	A		5/1994	Grimm		
5,652,956	A		8/1997	Hoshizaki et al.		
5,732,412	A	*	3/1998	Holden	2/911
5,865,782	A		2/1999	Fareed		
D406,406	S		3/1999	Hettwer		
D436,696	S		1/2001	Bonaventure et al.		

1 Claim, 2 Drawing Sheets



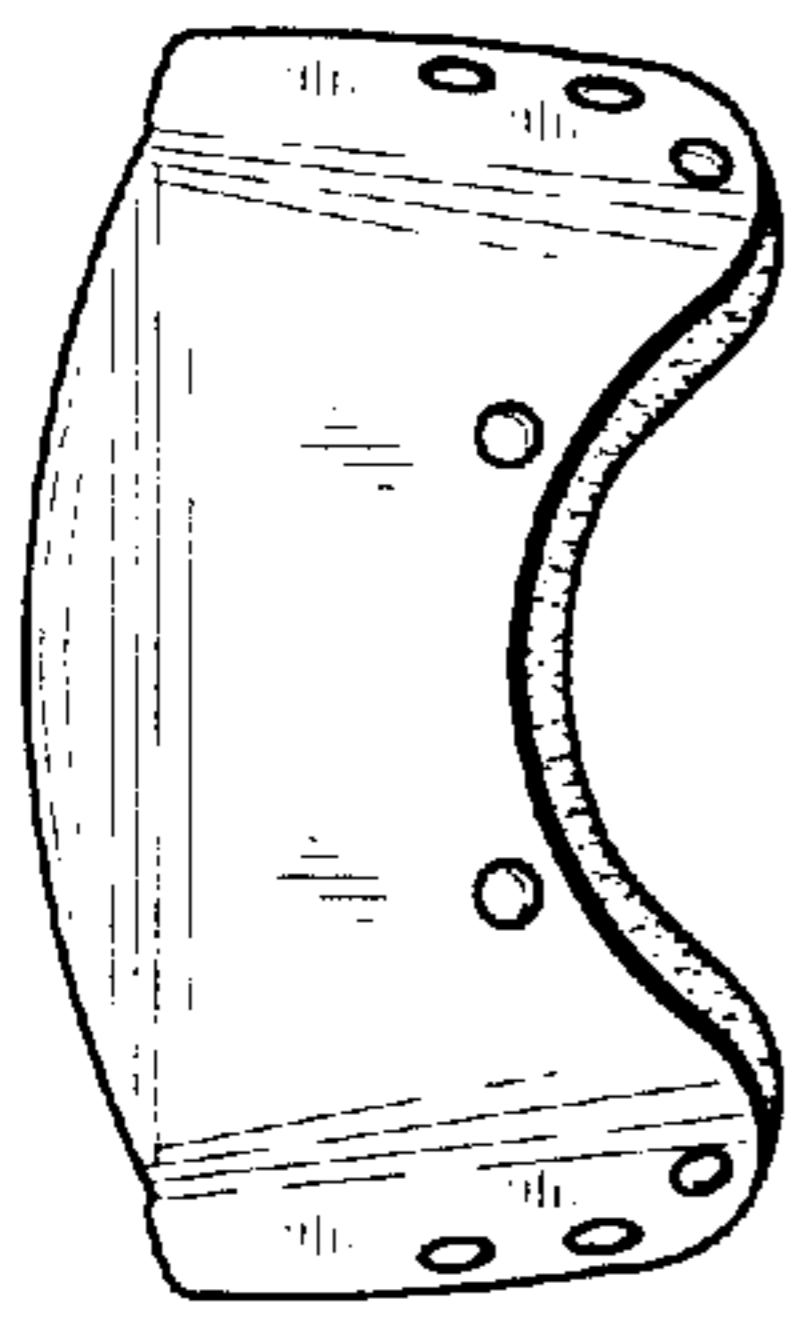


Fig. 1

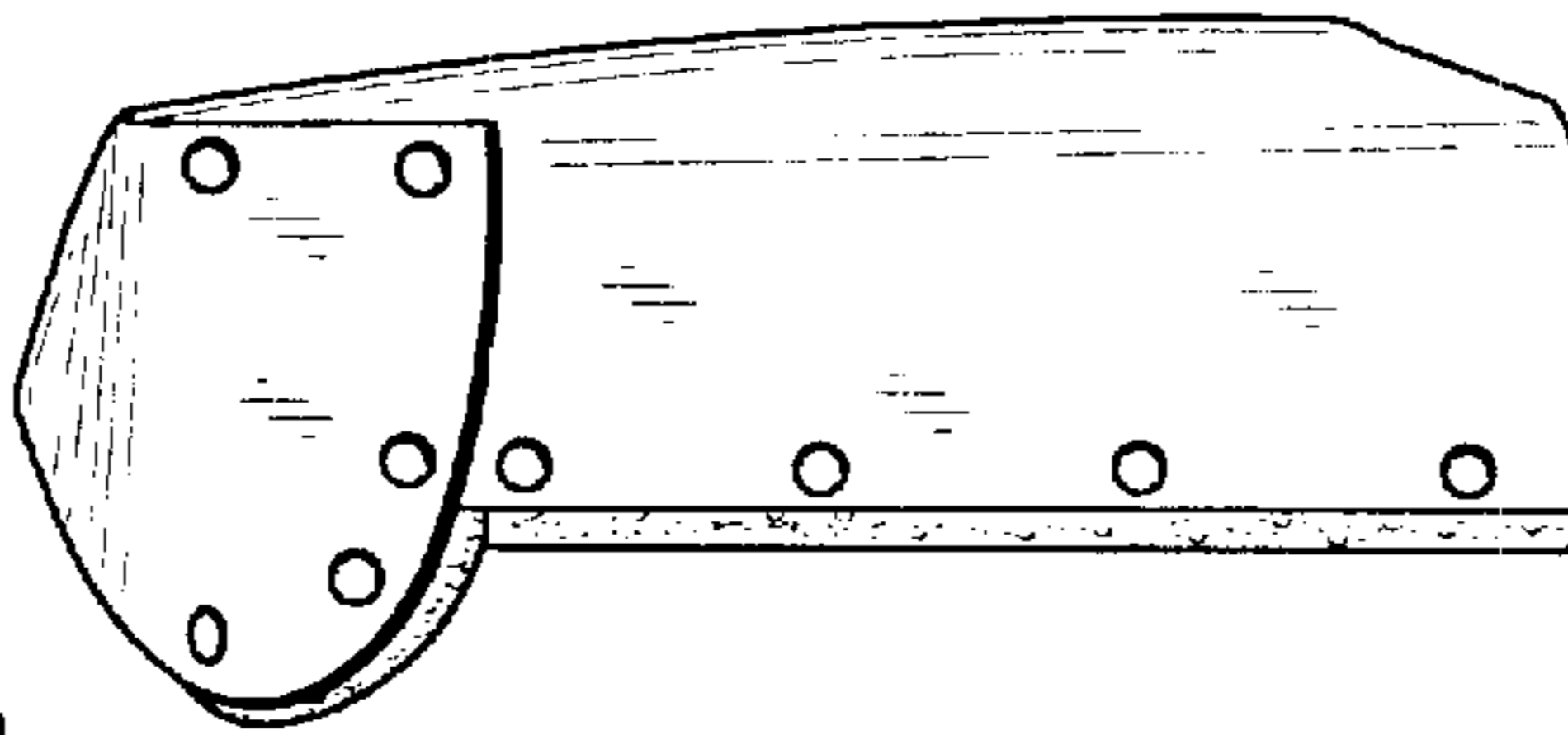


Fig. 2

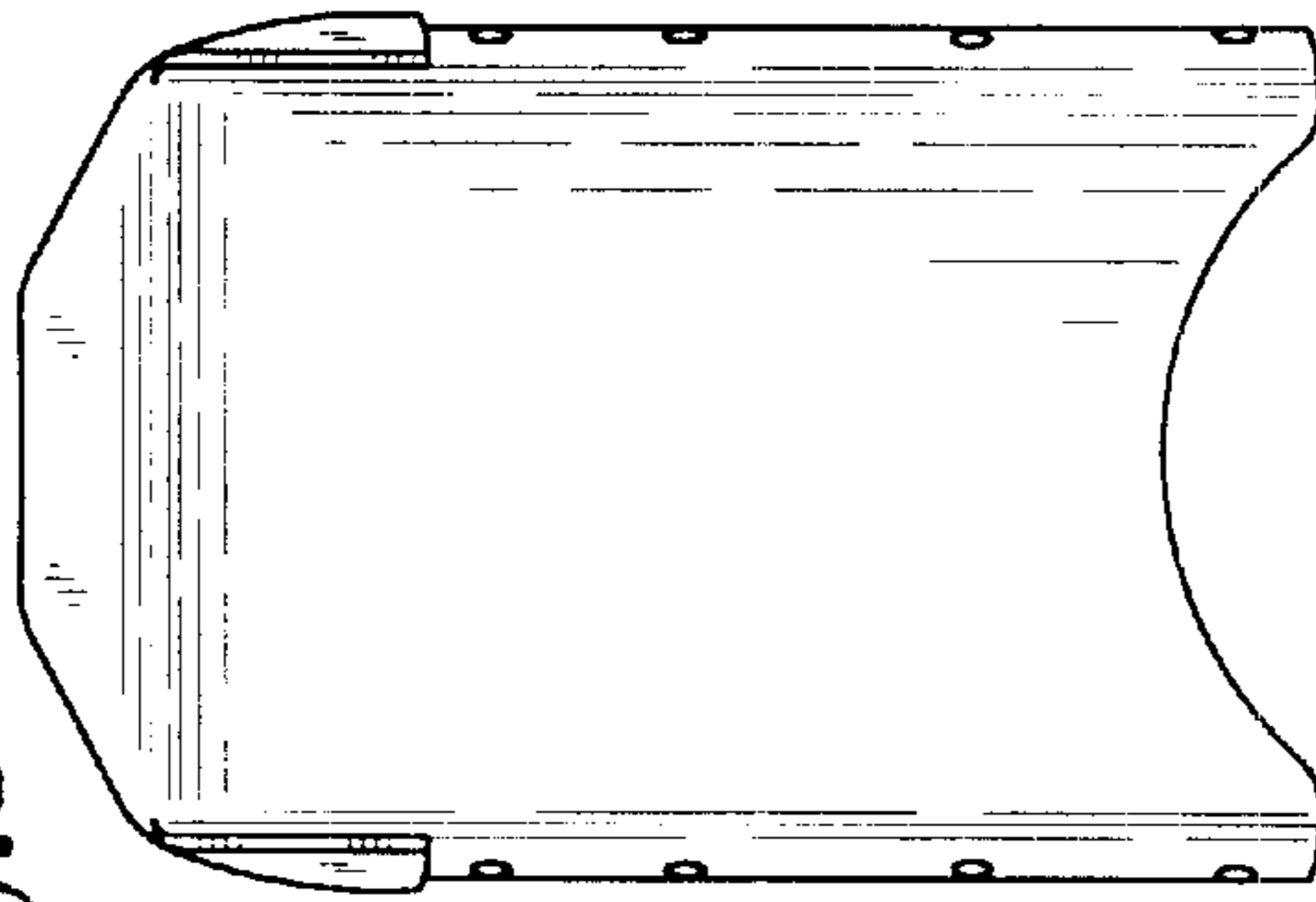


Fig. 3

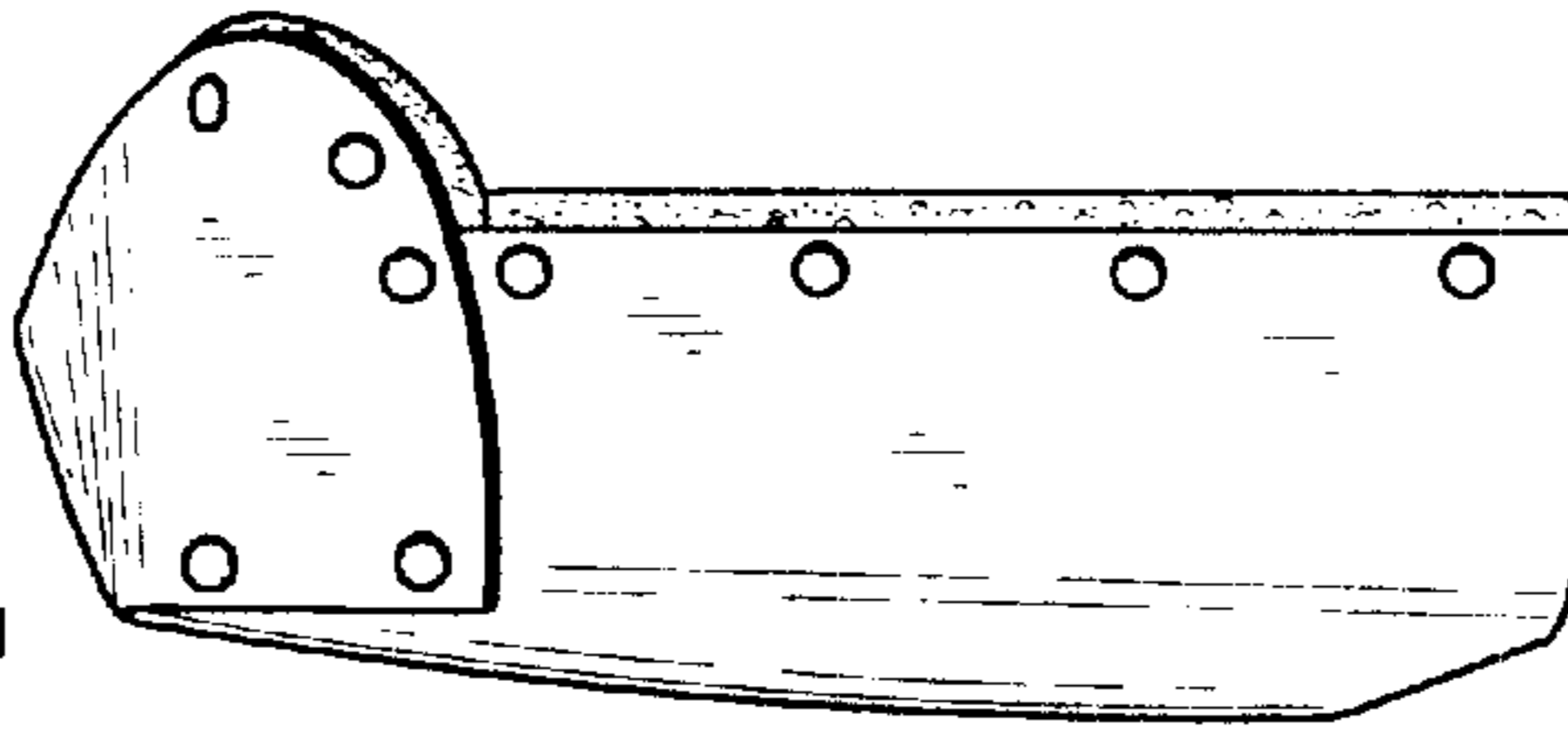


Fig. 4

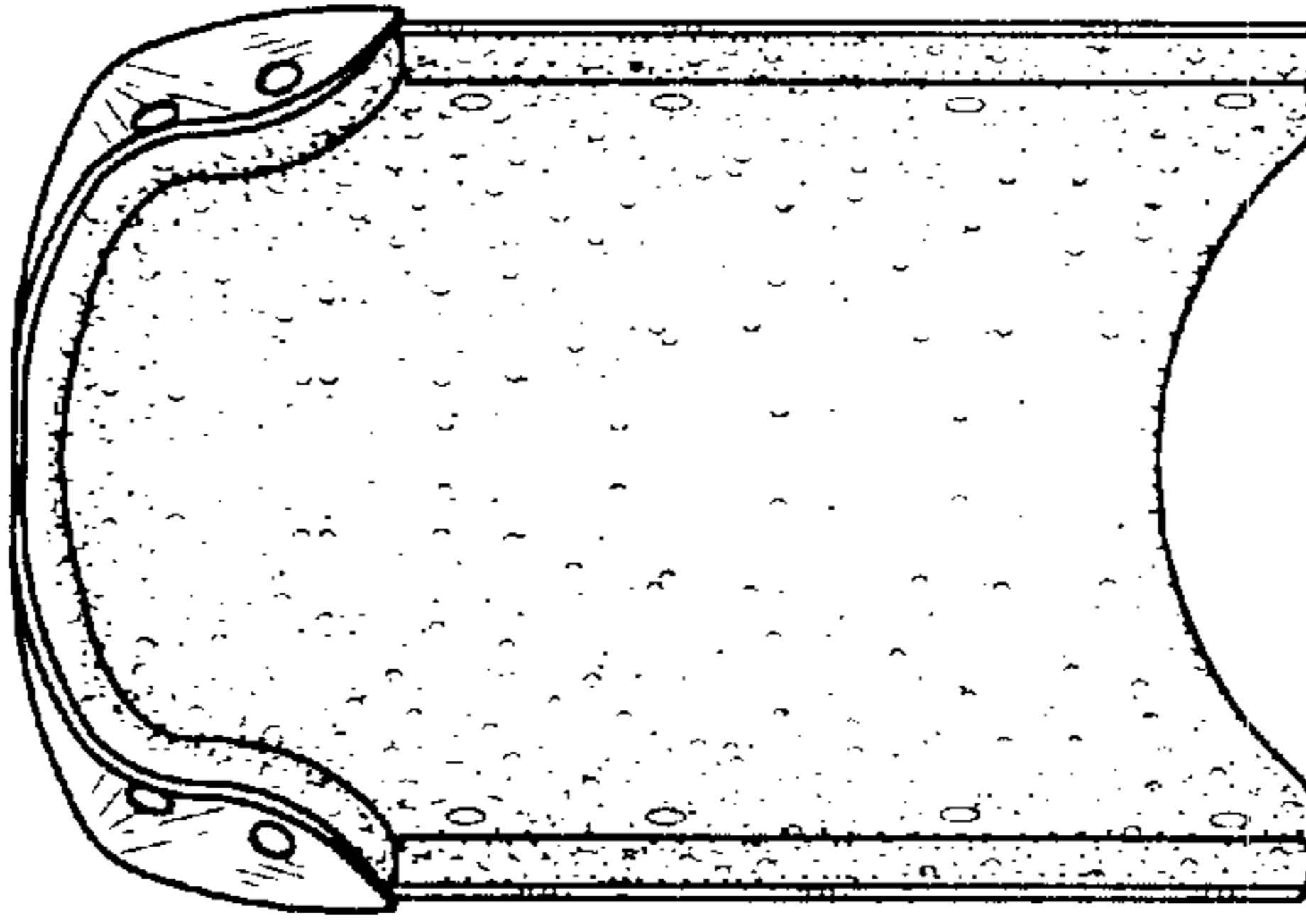


Fig. 5

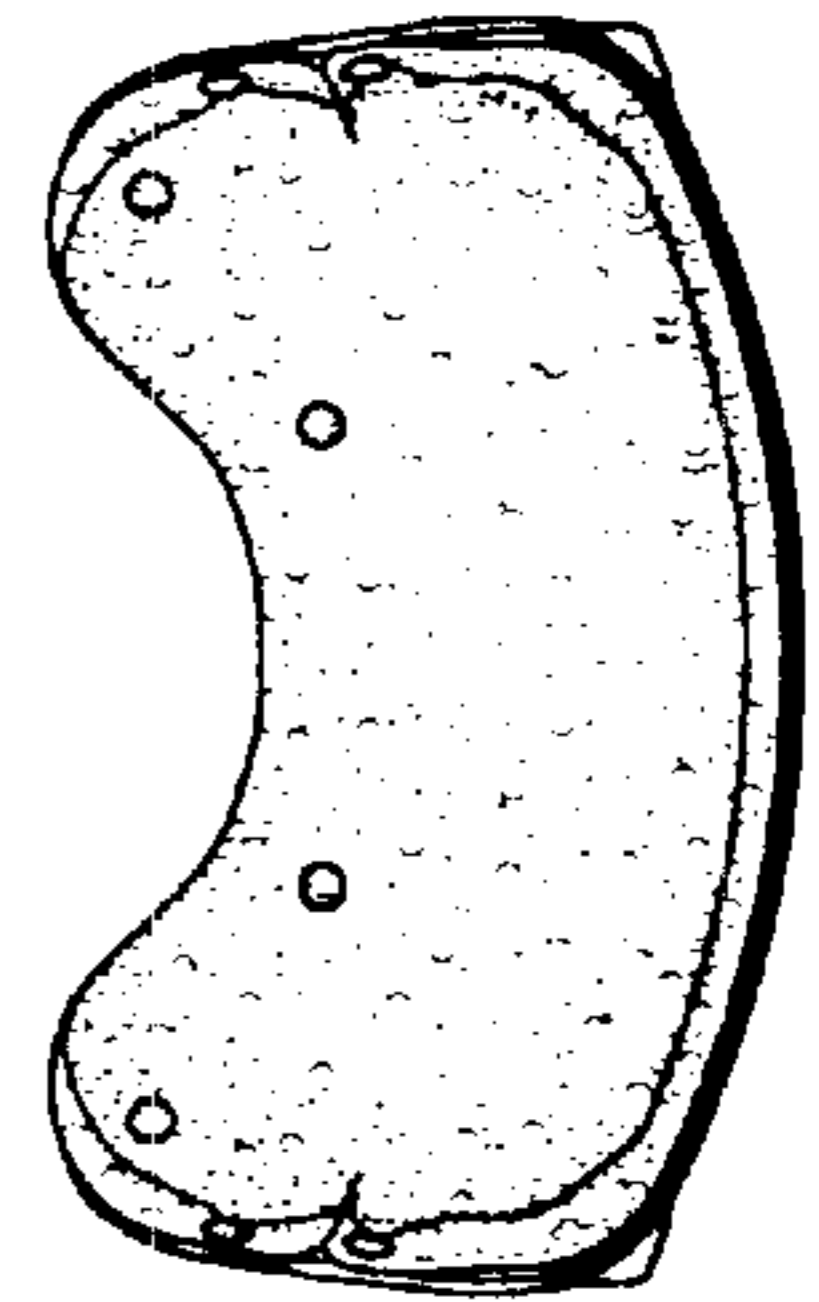


Fig. 6

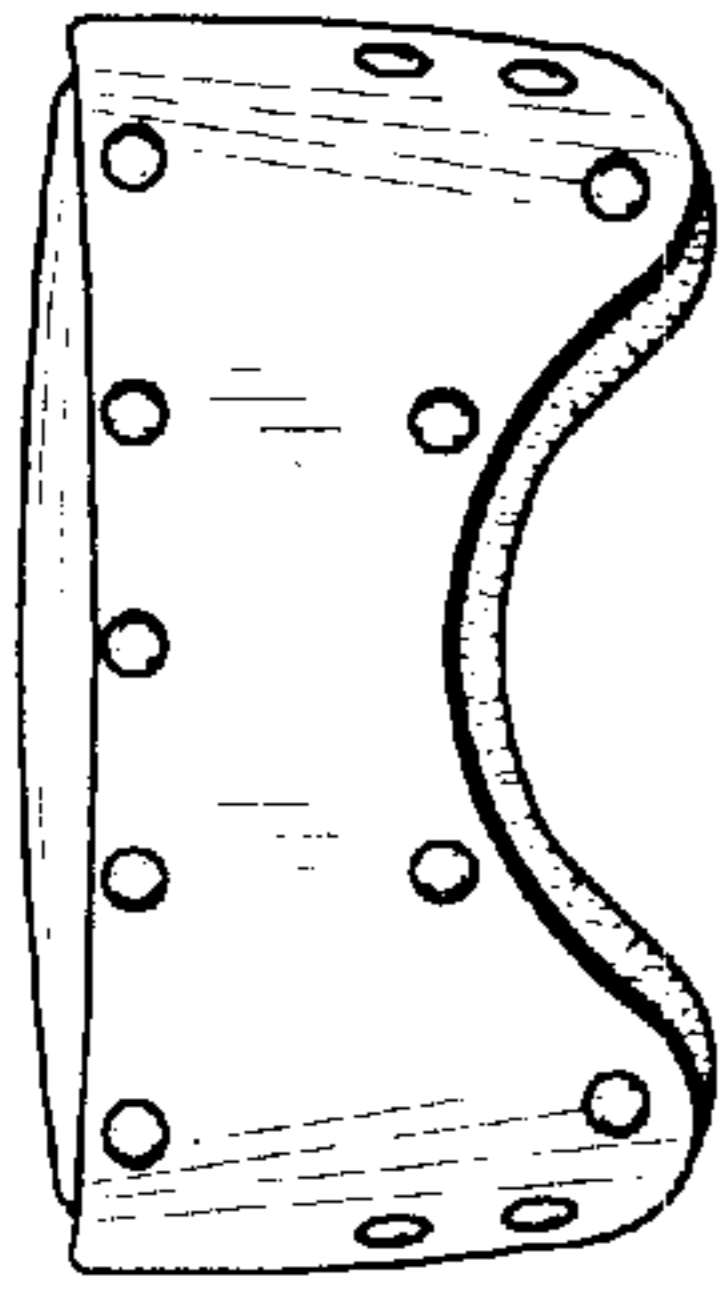


Fig. 7

Fig. 8

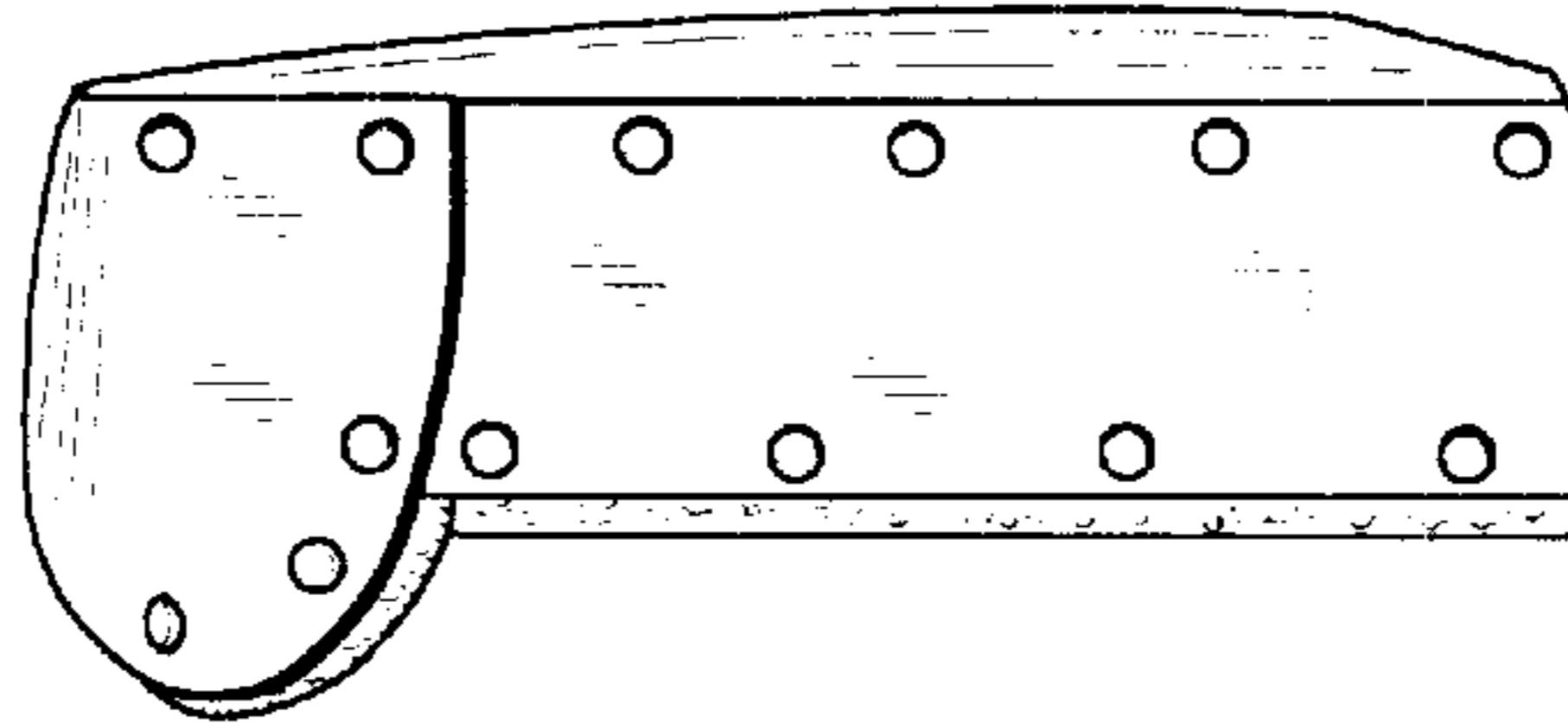


Fig. 9

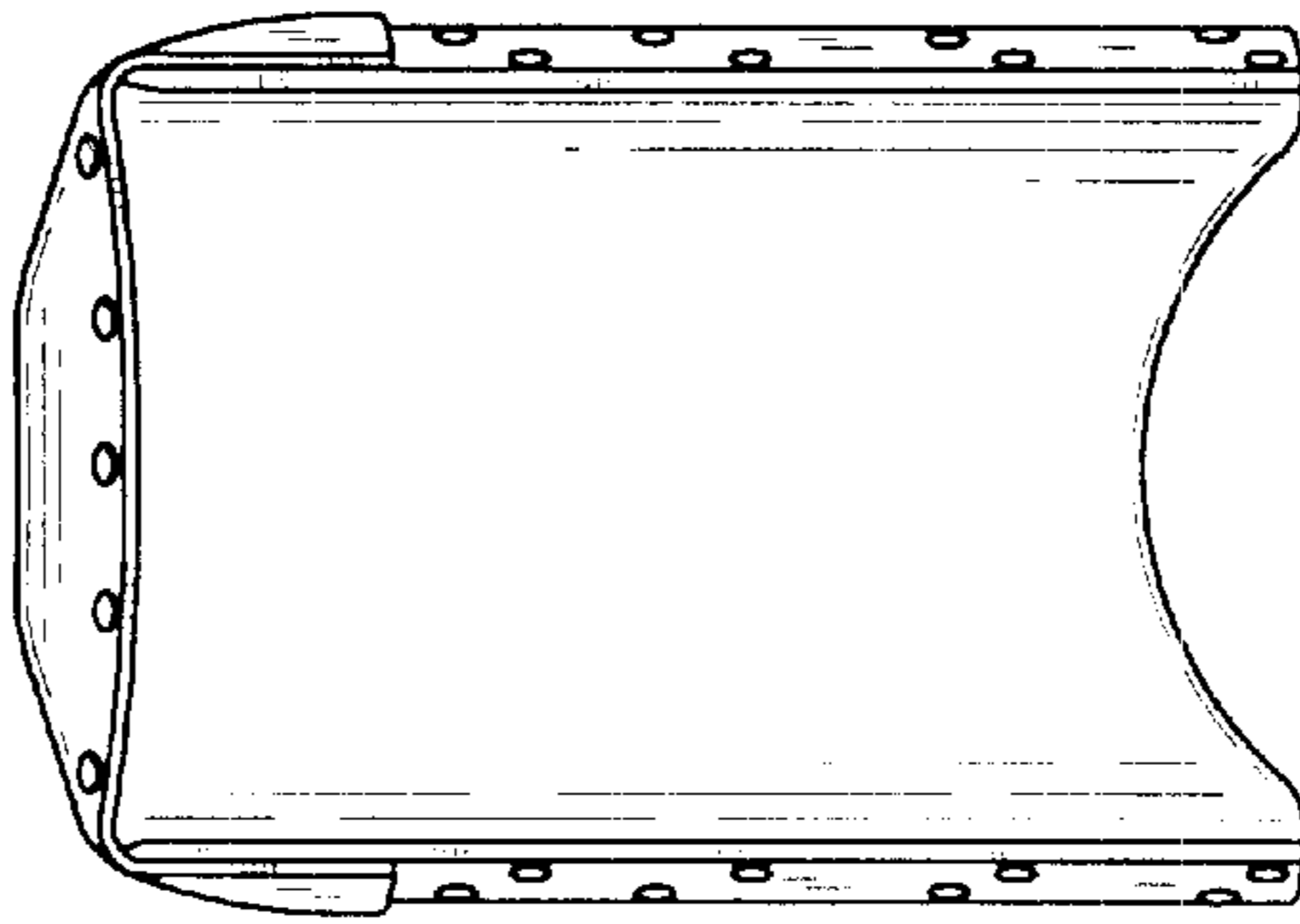


Fig. 10

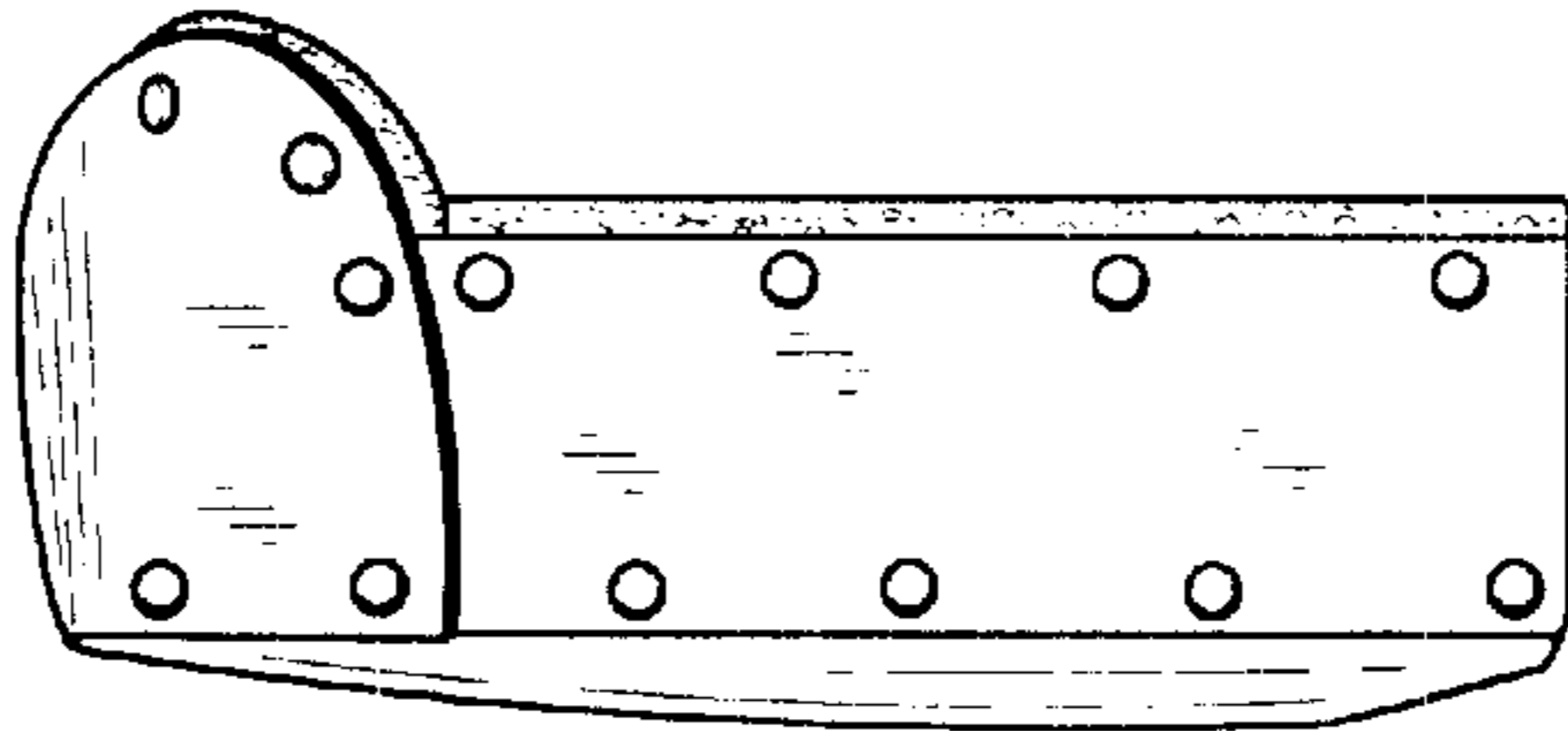


Fig. 11

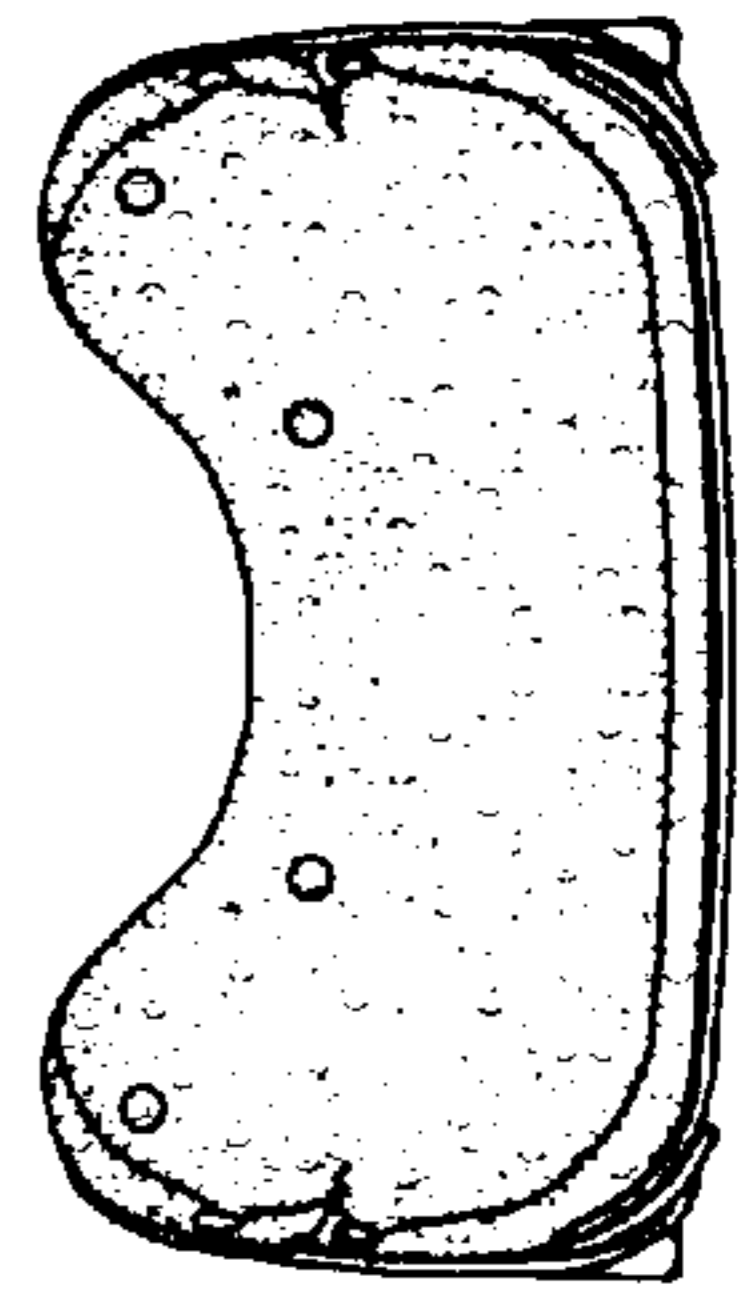
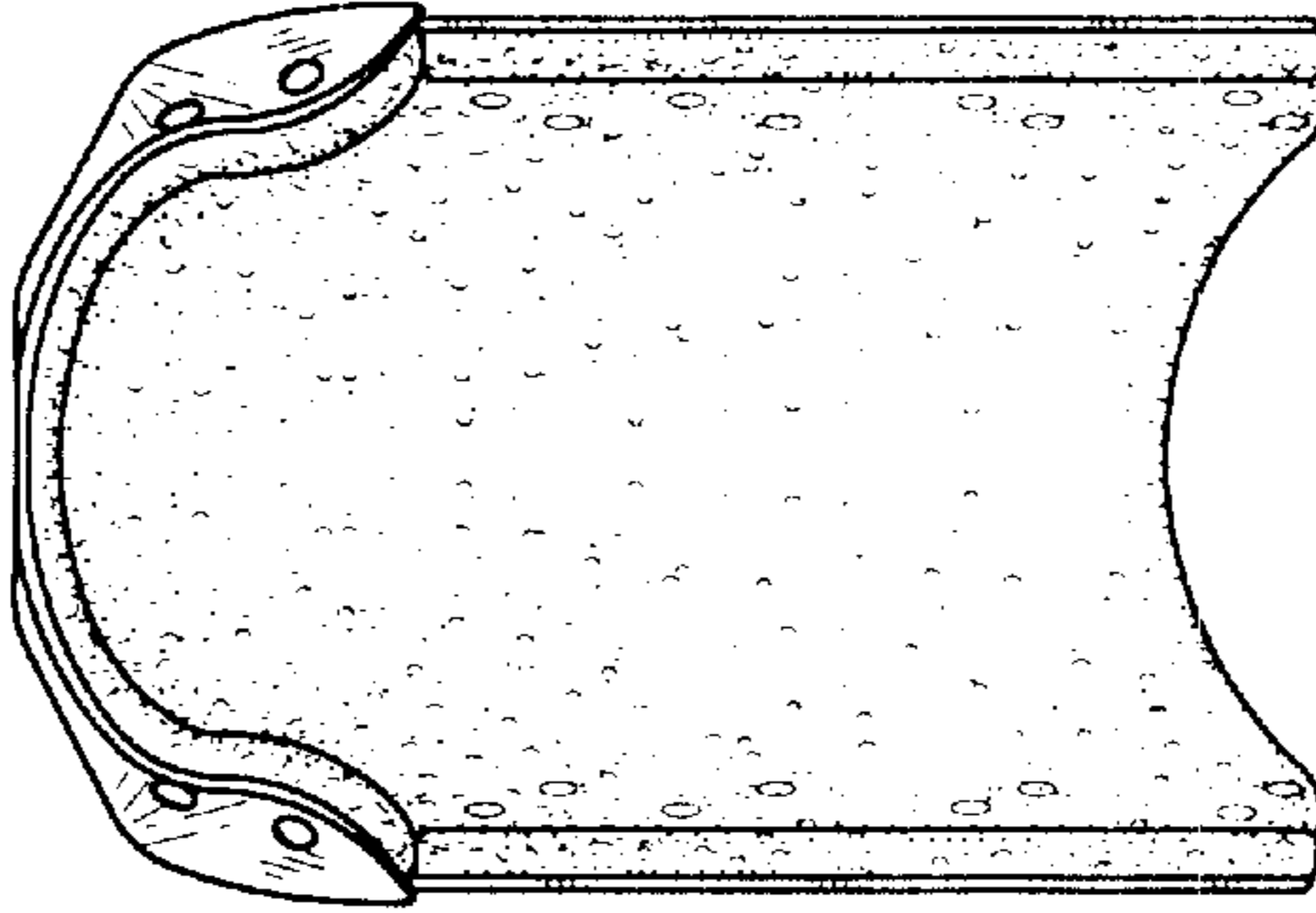


Fig. 12