



US00D463062S

(12) **United States Design Patent**
De'Armond

(10) **Patent No.:** **US D463,062 S**

(45) **Date of Patent:** **** Sep. 17, 2002**

(54) **LIGHTING FIXTURE BACKPLATE**

(75) Inventor: **Robert De'Armond**, Temecula, CA
(US)

(73) Assignee: **Minka Lighting, Inc.**, Corona, CA
(US)

(**) Term: **14 Years**

(21) Appl. No.: **29/147,276**

(22) Filed: **Aug. 24, 2001**

(51) **LOC (7) Cl.** **26-99**

(52) **U.S. Cl.** **D26/142**

(58) **Field of Search** D8/352; D26/138,
D26/142-148, 152, 72-74, 80-82; 362/147,
382, 404, 457

(56) **References Cited**

U.S. PATENT DOCUMENTS

D66,854 S * 3/1925 Kahns D26/142
D426,911 S * 6/2000 Jaspers-Fayer et al. D26/142

OTHER PUBLICATIONS

U.S. patent application Ser. No. 29/147,275, Robert De'Armond, filed Aug. 24, 2001.

U.S. patent application Ser. No. 29/147,274, Robert De'Armond, filed Aug. 24, 2001.

Minka Lighting, Inc.; The Great Outdoors by Minka-Lavery Two Thousand; Jun. 21, 2000; pp. 8, 9, 31; Minka Lighting, Inc.; U.S.A.

Minka Lighting, Inc.; The Great Outdoors; Jan. 29, 1999; pp. 7, 16; Minka Lighting, Inc.; U.S.A.

* cited by examiner

Primary Examiner—Jennifer Rivard

(74) *Attorney, Agent, or Firm*—Jenkins & Gilchrist, P.C.

(57) **CLAIM**

The ornamental design for the lighting fixture backplate, as shown and described.

DESCRIPTION

FIG. 1 is a side elevation view of the lighting fixture backplate in accordance with my design, illustrating the environment for the backplate;

FIG. 2 is a top plan view of the lighting fixture backplate in accordance with my design;

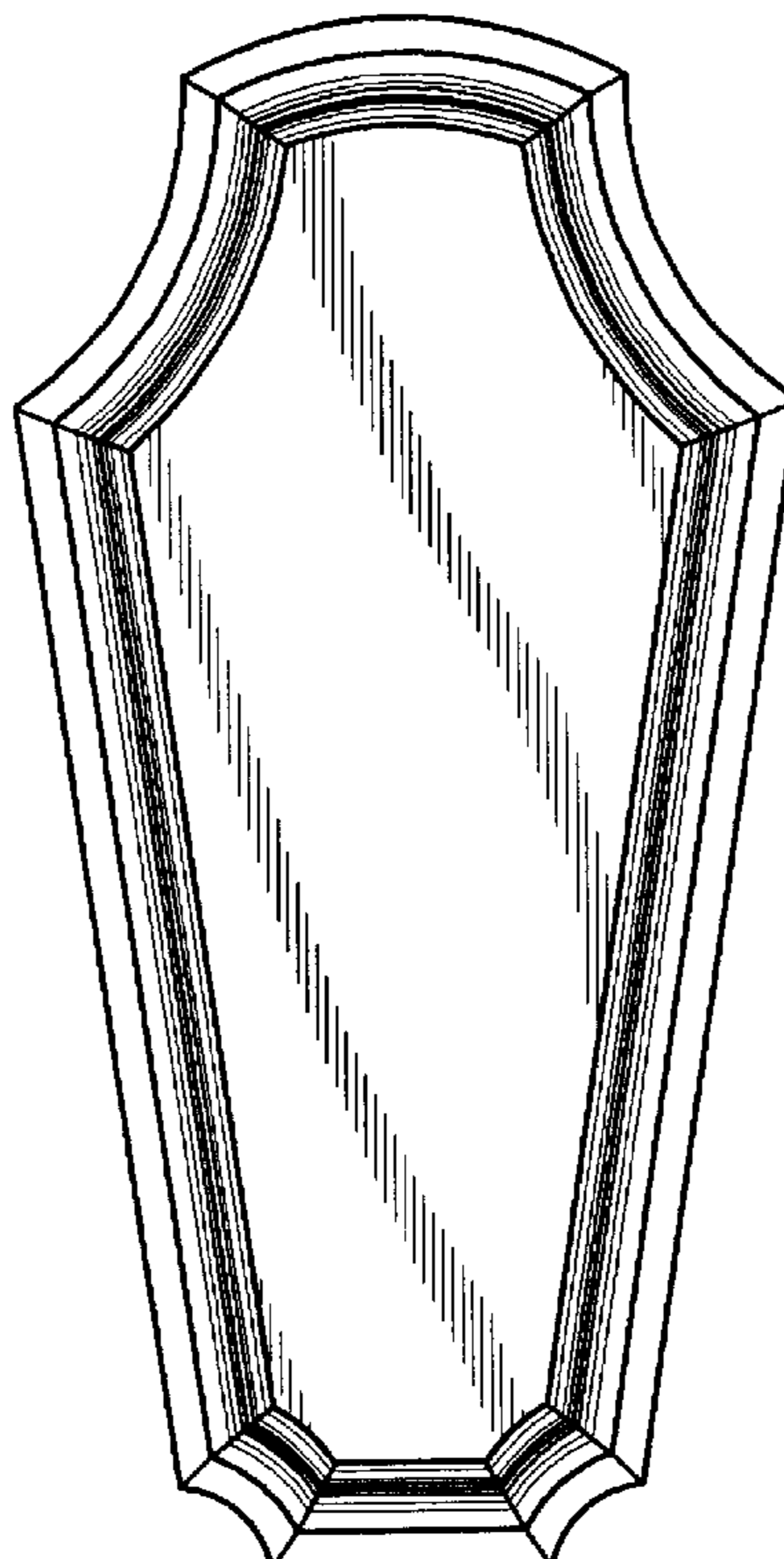
FIG. 3 is a side elevation view of the lighting fixture backplate in accordance with my design;

FIG. 4 is a front elevation view of the lighting fixture backplate in accordance with my design; and,

FIG. 5 is a bottom plan view of the lighting fixture backplate in accordance with my design.

The right and left elevation views are symmetrical. The broken lines showing environmental structure are for illustrative purposes only and form no part of the claimed design. The rear elevation view is unornamented and follows the contours of FIGS. 2, 3, 4, and 5.

1 Claim, 2 Drawing Sheets



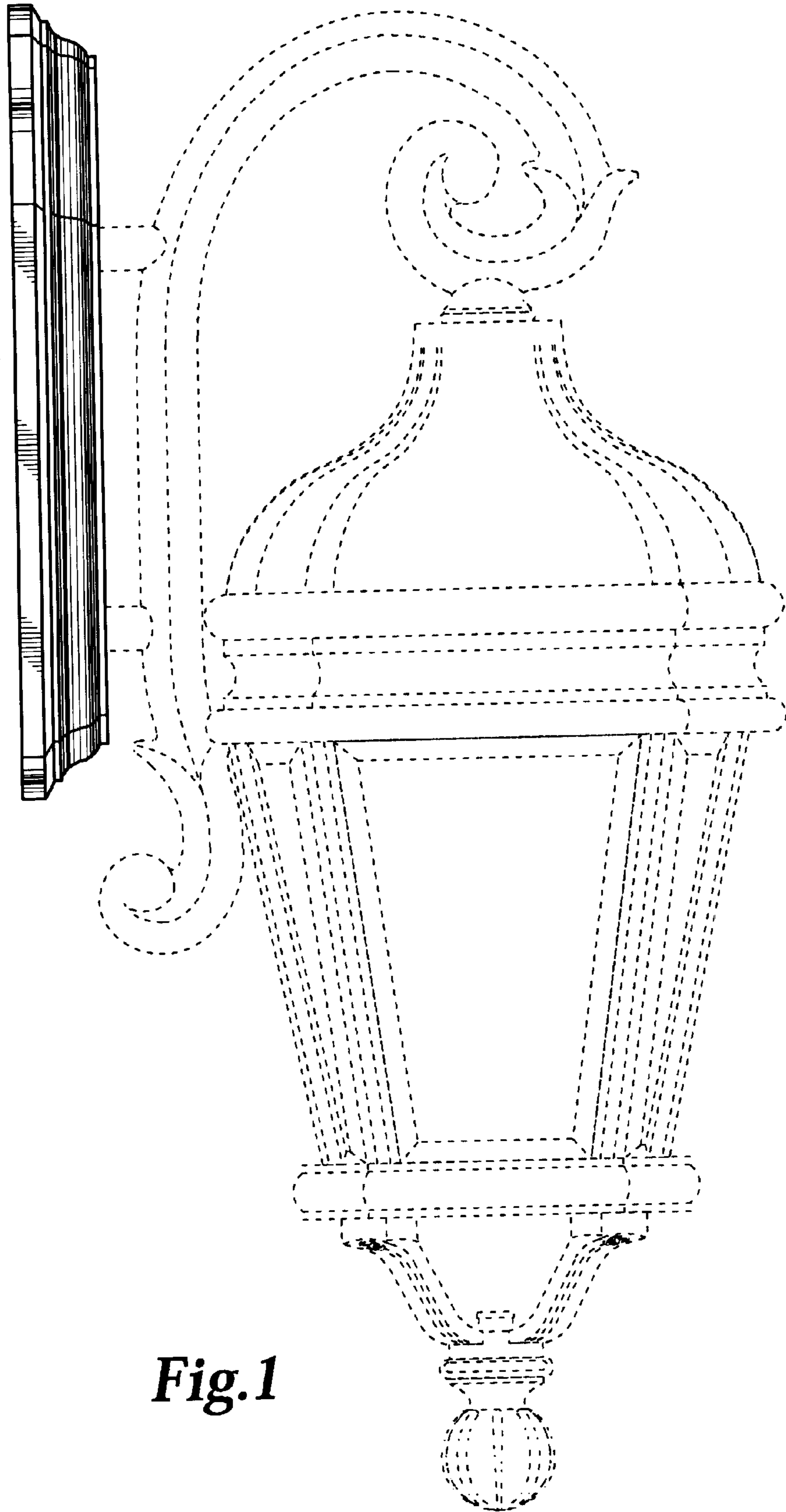


Fig. 1



Fig. 2

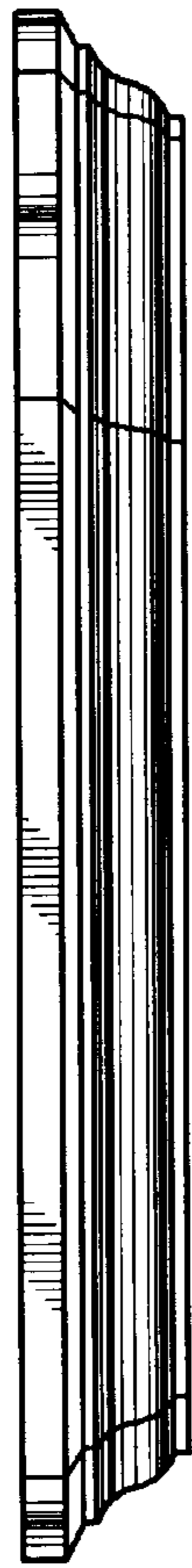


Fig. 3

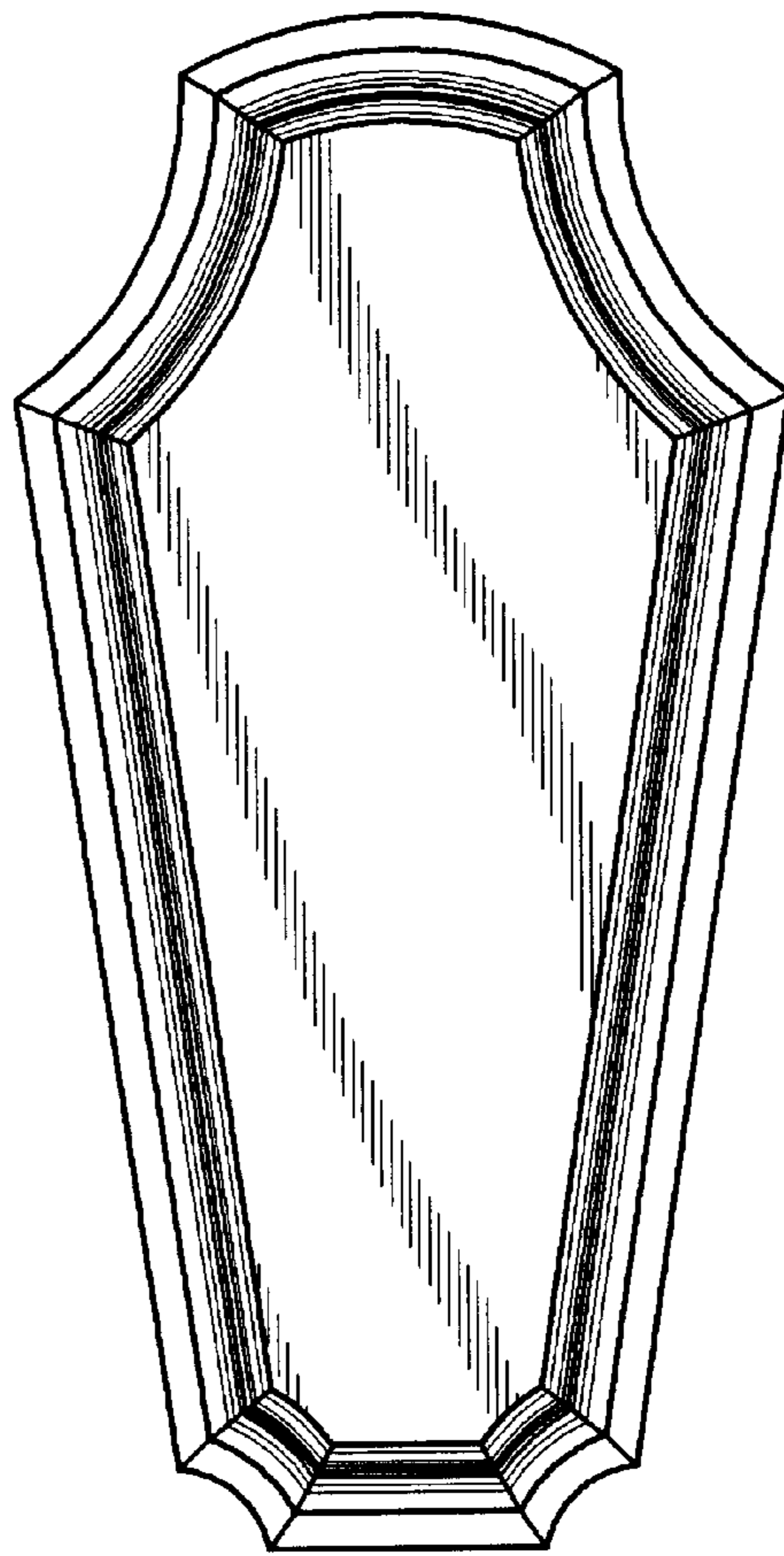


Fig. 4



Fig. 5