



US00D463061S

(12) **United States Design Patent**  
**Ludwig**

(10) **Patent No.:** **US D463,061 S**

(45) **Date of Patent:** **\*\* Sep. 17, 2002**

(54) **LIGHTING APPARATUS**

(75) Inventor: **James N. Ludwig**, E. Grand Rapids,  
MI (US)

(73) Assignee: **Steelcase Development Corporation**,  
Caledonia, MI (US)

(\*\*) Term: **14 Years**

(21) Appl. No.: **29/155,182**

(22) Filed: **Feb. 4, 2002**

**Related U.S. Application Data**

(62) Division of application No. 29/133,645, filed on Nov. 28,  
2000.

(51) **LOC (7) Cl.** ..... **26-99**

(52) **U.S. Cl.** ..... **D26/118; D26/75**

(58) **Field of Search** ..... **D26/72-92, 118;**  
**362/147, 217-225, 292, 341, 346, 347**

(56) **References Cited**

**U.S. PATENT DOCUMENTS**

- 2,159,296 A 5/1939 Sharp
- 2,202,266 A 5/1940 Phillips
- 3,389,246 A 6/1968 Shemitz
- 3,471,629 A 10/1969 O'Leary
- 4,300,185 A 11/1981 Wakamatsu
- 4,748,543 A 5/1988 Swarens
- 4,866,584 A 9/1989 Plewman
- 4,920,458 A 4/1990 Jones
- D321,407 S \* 11/1991 Heidmann ..... D26/72
- 5,331,526 A 7/1994 Girot et al.
- 5,357,413 A 10/1994 Mandall
- D356,876 S 3/1995 Waldmann
- 5,394,658 A 3/1995 Schreiner et al.
- D364,478 S 11/1995 Pesau
- 5,511,348 A 4/1996 Cornell et al.
- 5,521,801 A 5/1996 Pesau et al.
- D377,990 S \* 2/1997 Nakano ..... D26/65

- 5,743,054 A 4/1998 Luchetti et al.
- D397,819 S 9/1998 Thorton, Jr.
- 5,806,967 A 9/1998 Soorus et al.
- 5,845,988 A 12/1998 Mandall
- 6,056,416 A 5/2000 Ngai et al.
- D444,262 S \* 6/2001 Eberlein et al. .... D26/118
- D450,874 S \* 11/2001 Heiny et al. .... D26/78

**OTHER PUBLICATIONS**

Exhibit A Discloses information on a prior art furniture system kown as "Current", manufactured by Knoll Int'l., as shown on their website: www.knoll.com.

Exhibit B Discloses a brochure showing prior art furniture known as "Current", published by knoll Int'l.

Exhibit C Patent Application No. 09/289,778 filed Apr. 9, 1999, entitled Furniture Arrangement Configured to Support Overhead Utilities and Lighting (drawings attached).

\* cited by examiner

*Primary Examiner*—Alan P. Douglas

*Assistant Examiner*—Clare E Hefflin

(74) *Attorney, Agent, or Firm*—Price, Heneveld, Cooper, DeWitt & Litton

(57) **CLAIM**

I claim the ornamental design for a lighting apparatus, as shown and described.

**DESCRIPTION**

FIG. 1 is a top front perspective view of a lighting apparatus showing my design;

FIG. 2 is a top rear perspective view if FIG. 1;

FIG. 3 is an end view of FIG. 1, the opposite end view being a mirror image thereof;

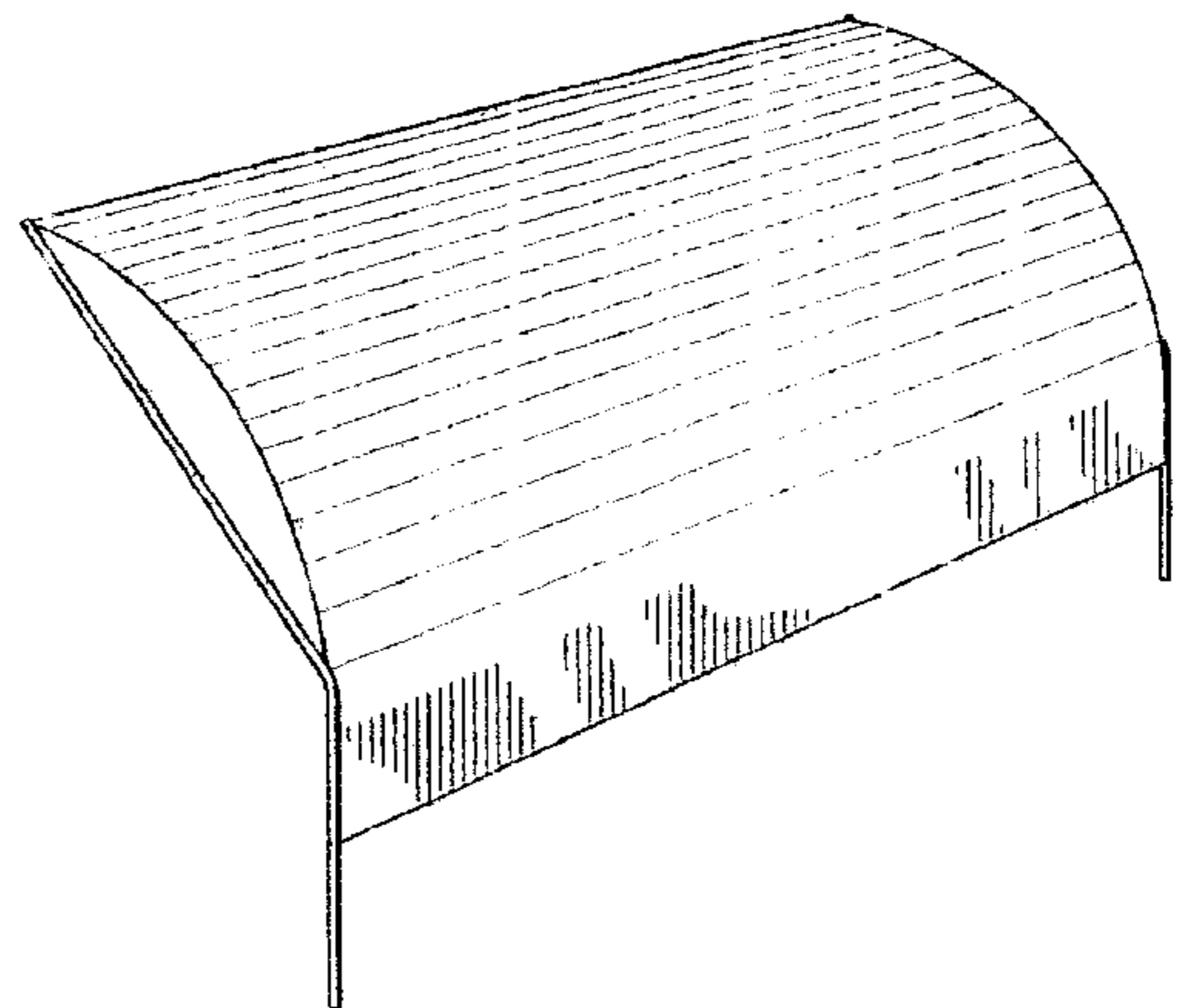
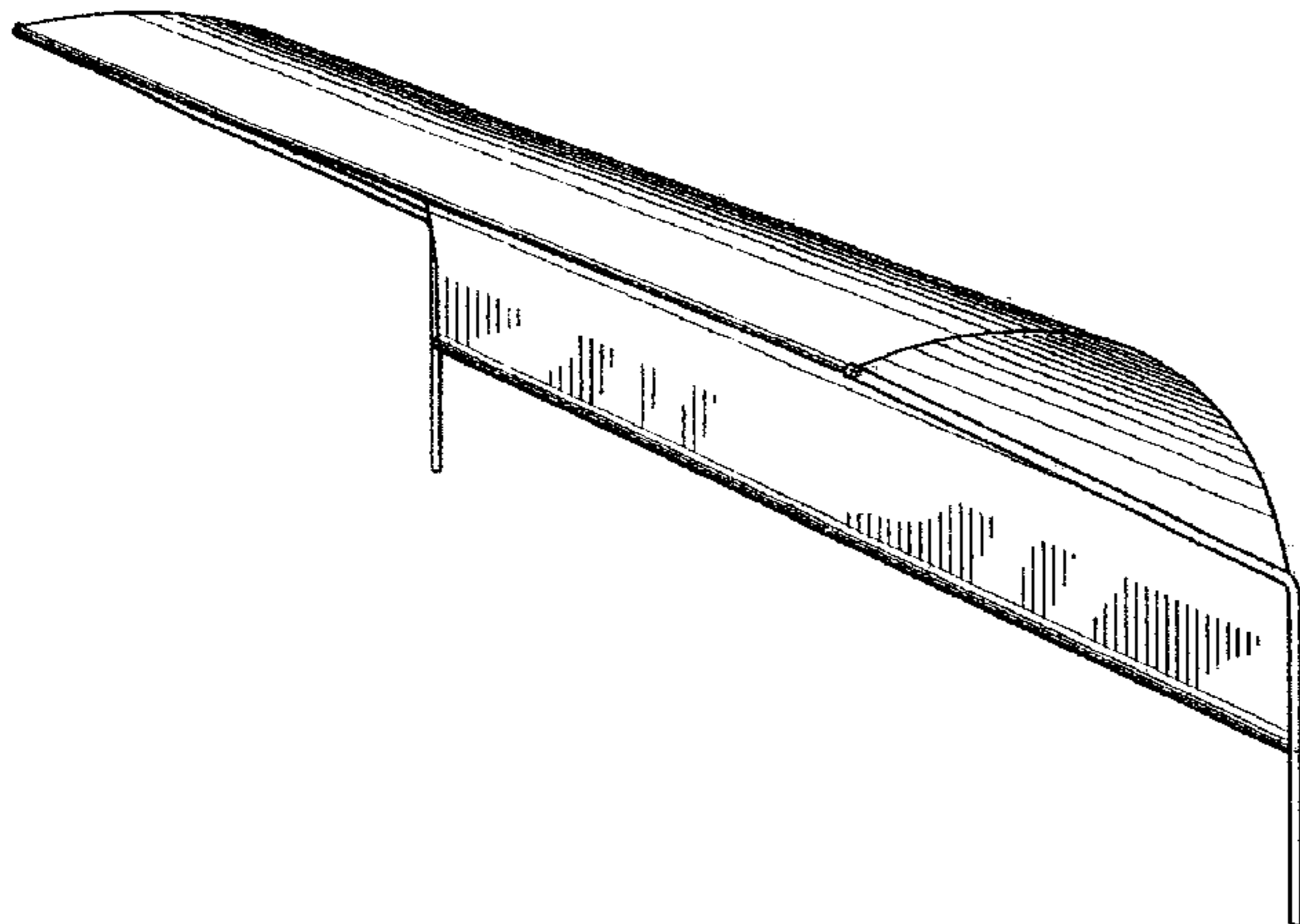
FIG. 4 is a front view of FIG. 1;

FIG. 5 is a top view of FIG. 1;

FIG. 6 is a bottom view of FIG. 1; and,

FIG. 7 is a rear view of FIG. 1.

**1 Claim, 2 Drawing Sheets**



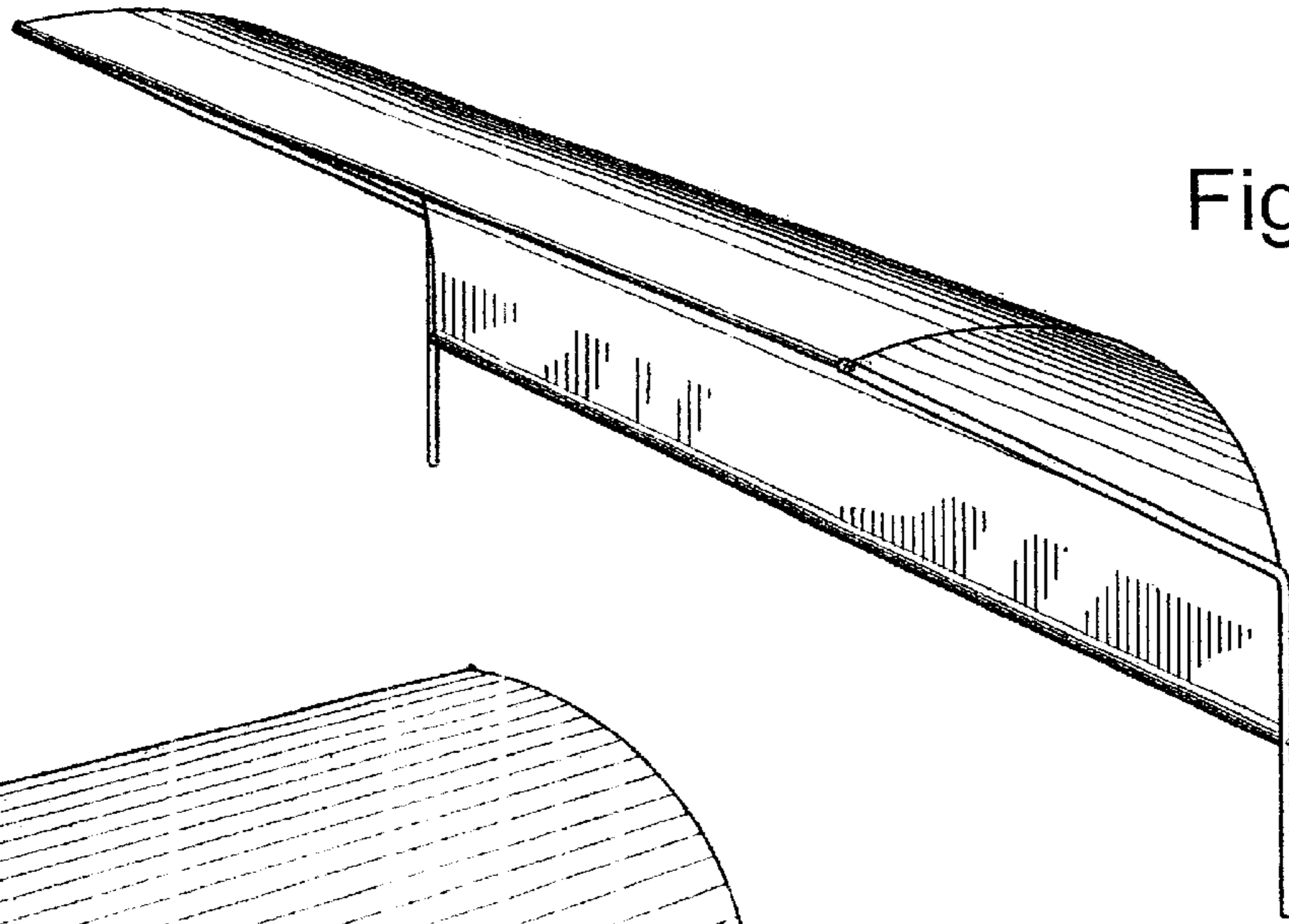


Fig. 1

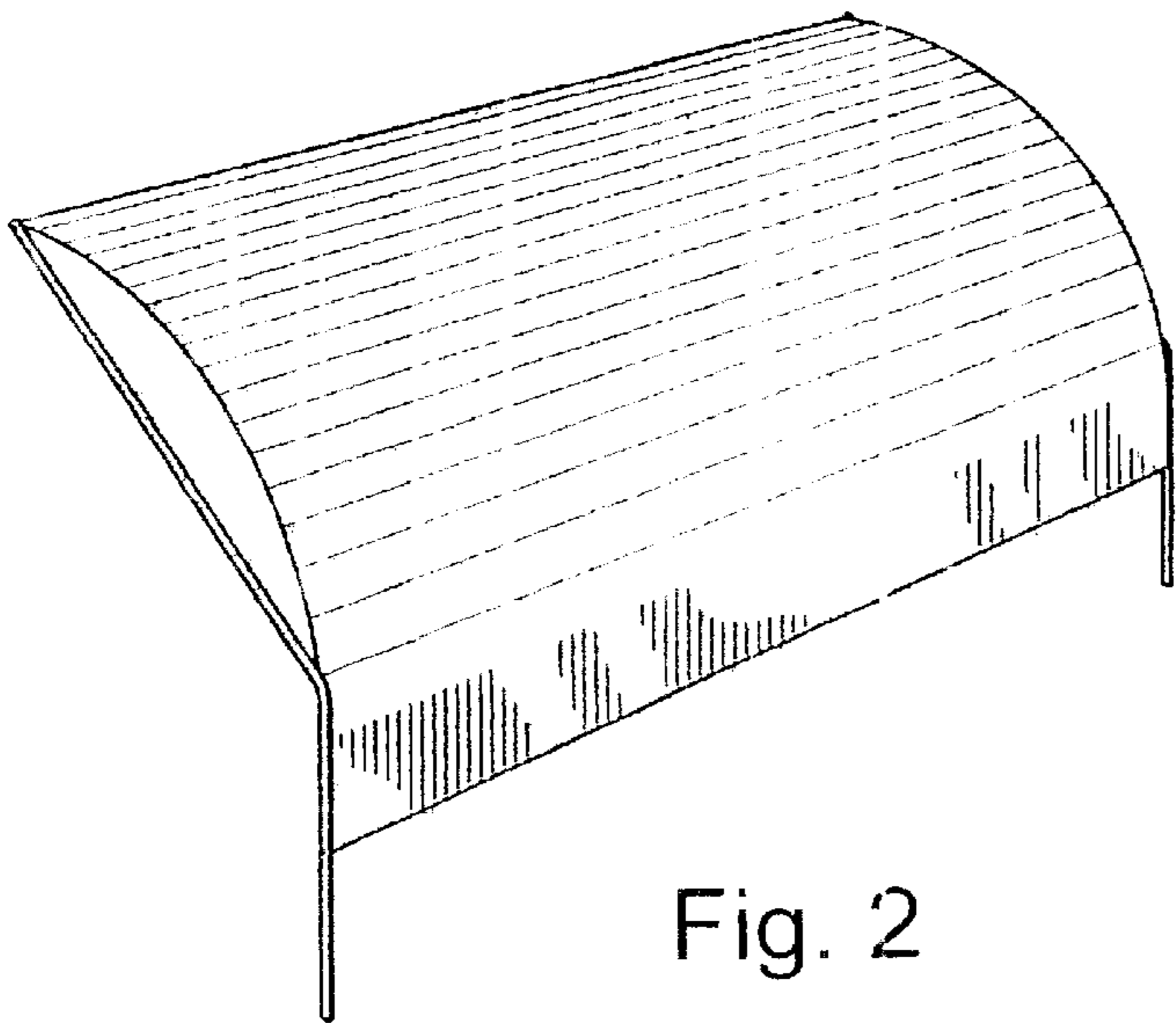


Fig. 2

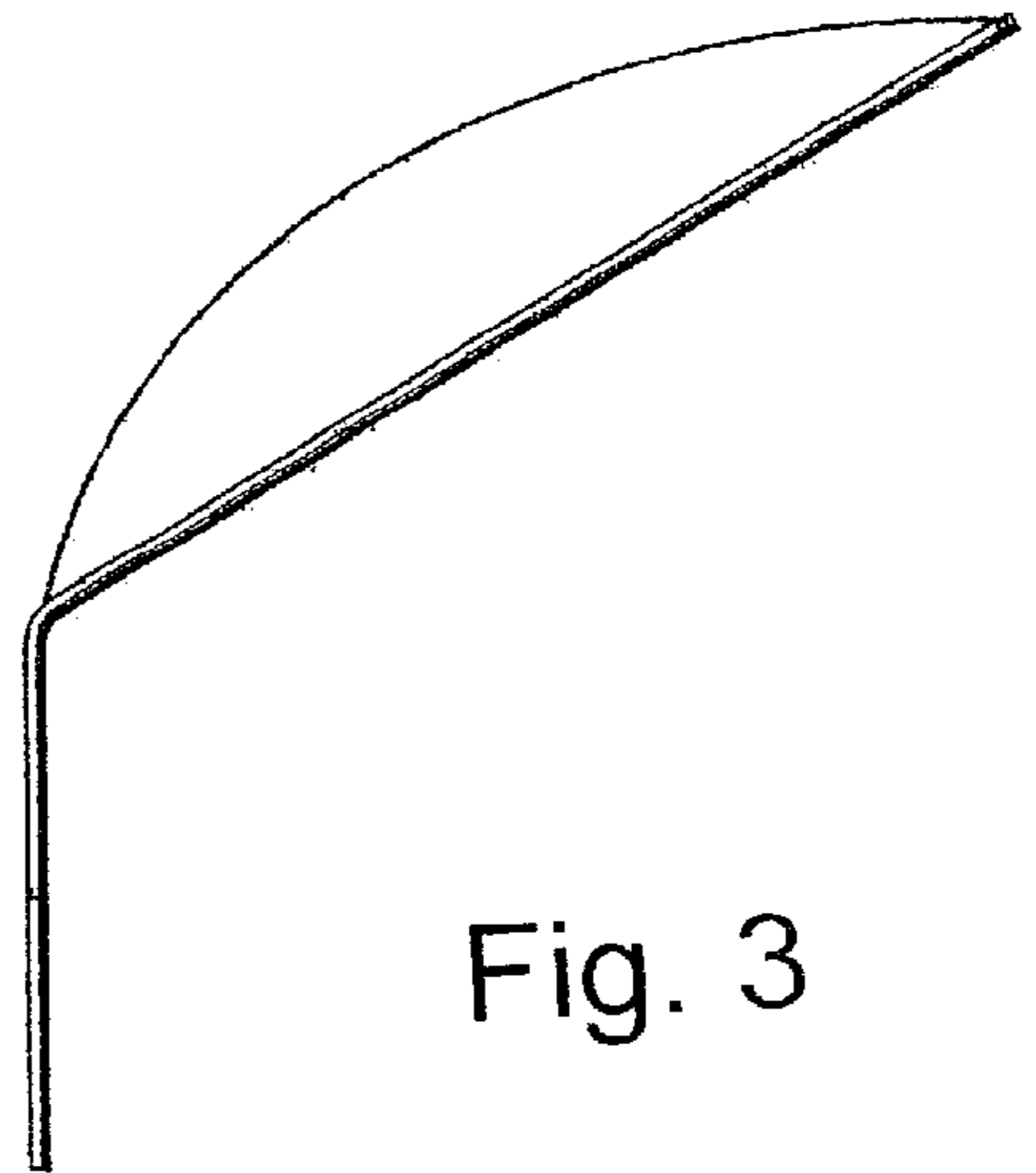


Fig. 3

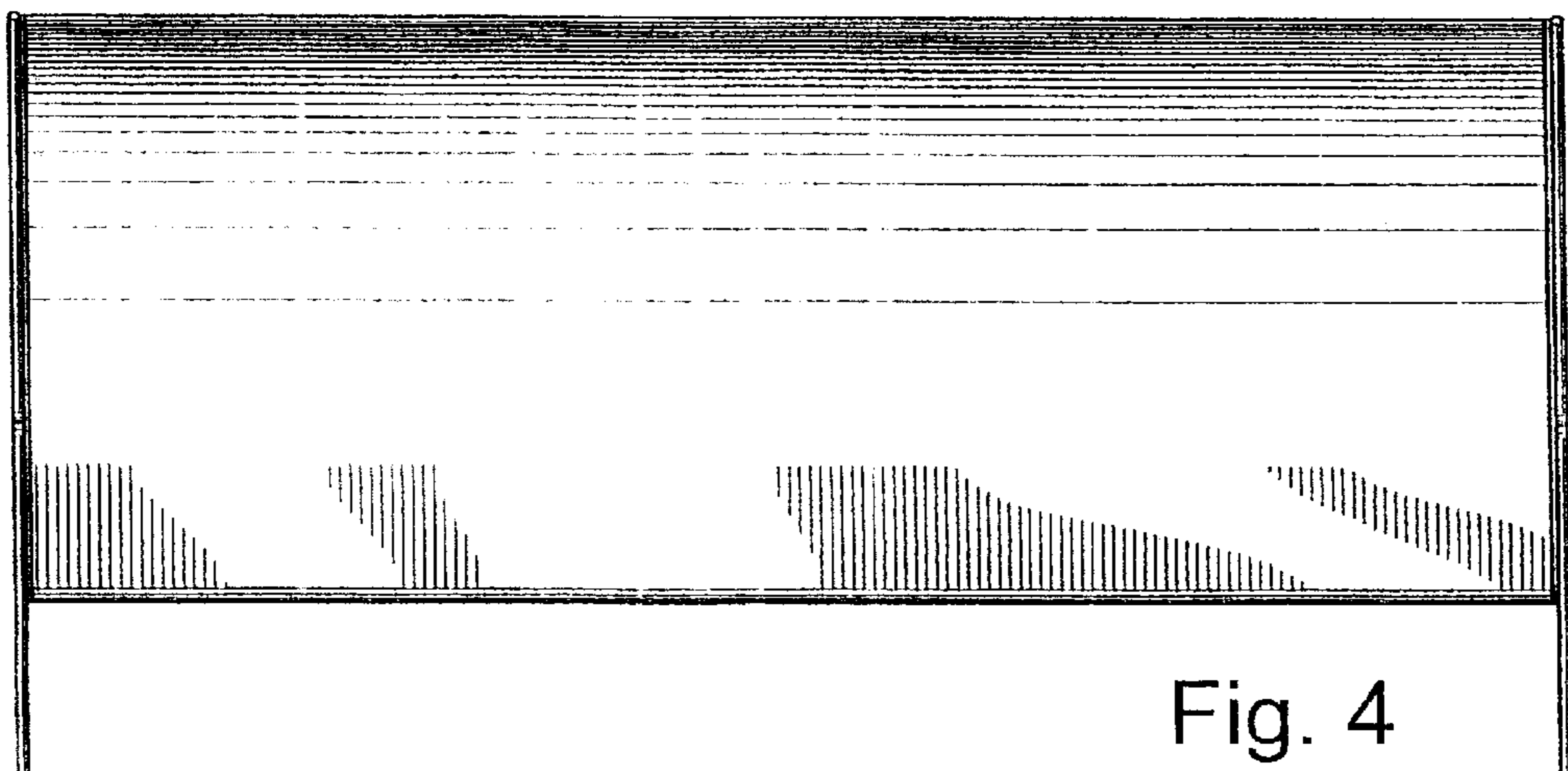


Fig. 4

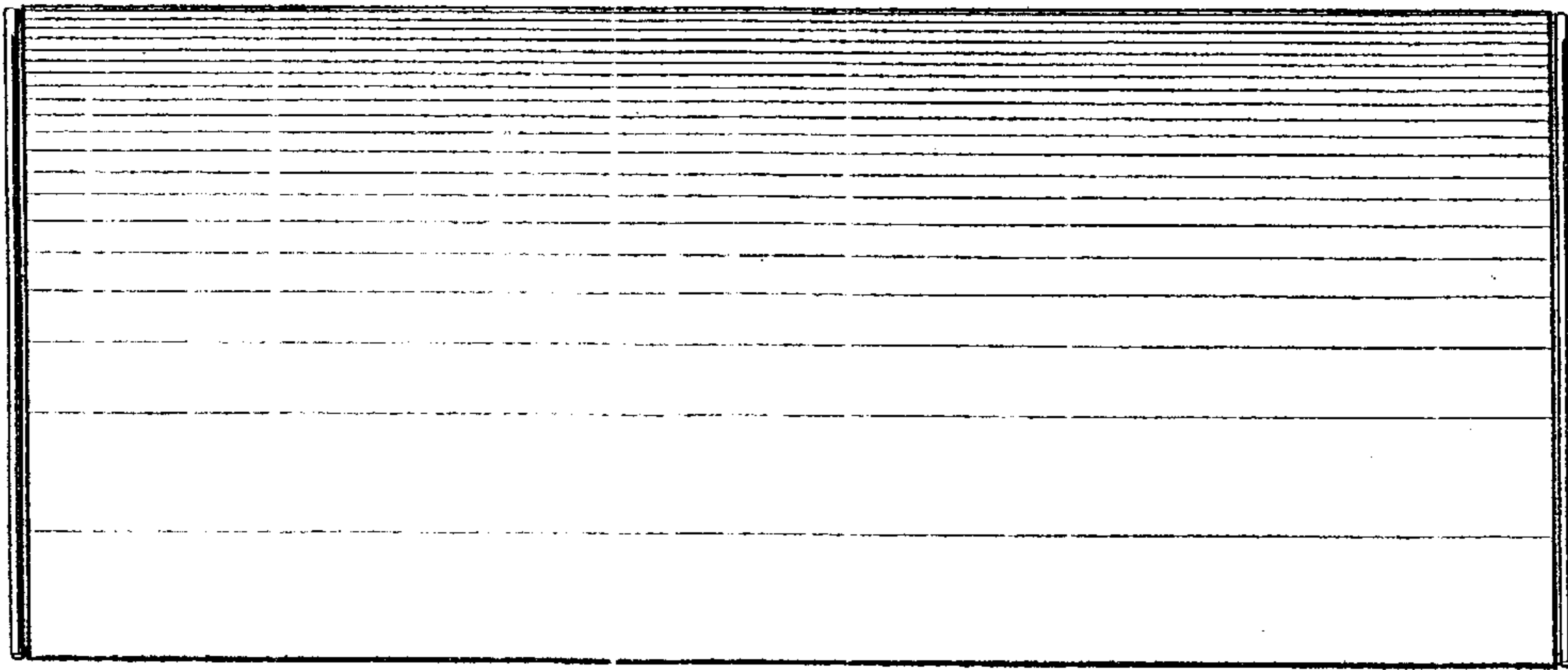


Fig. 5

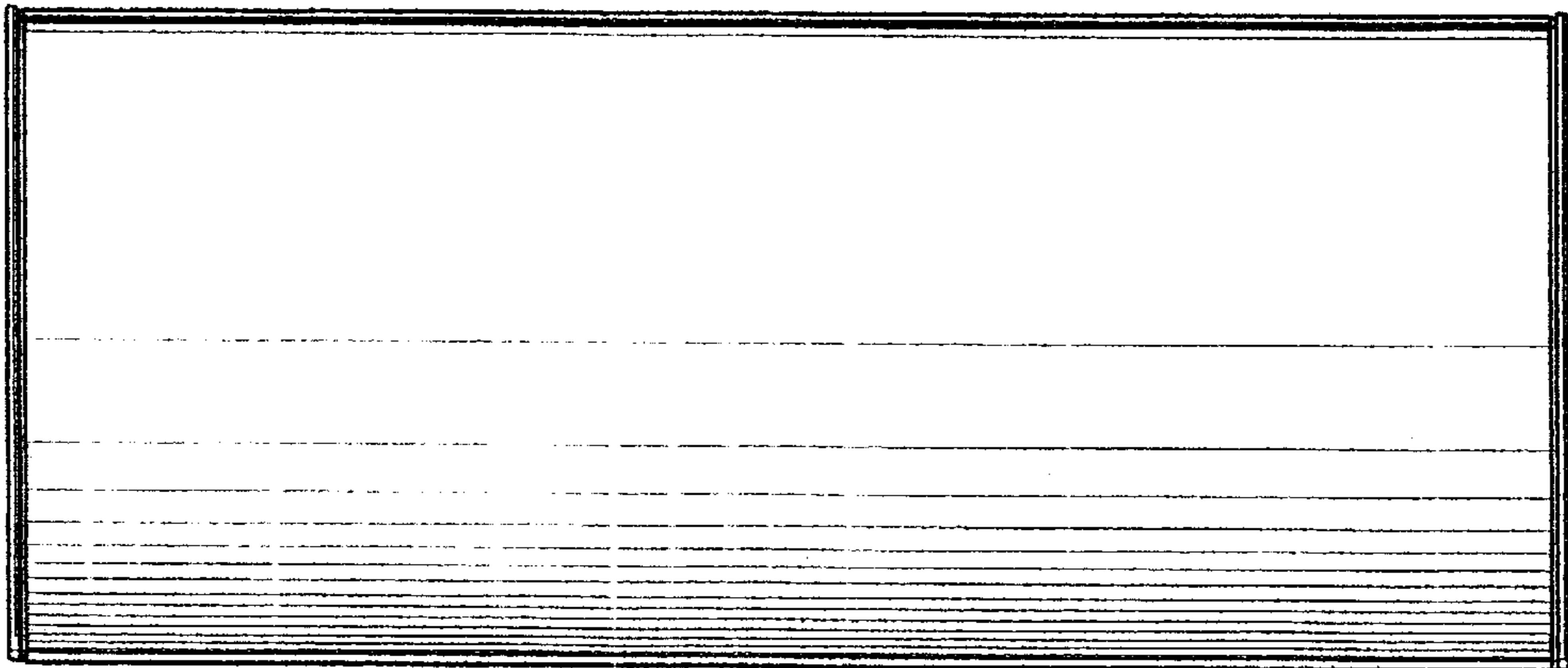


Fig. 6

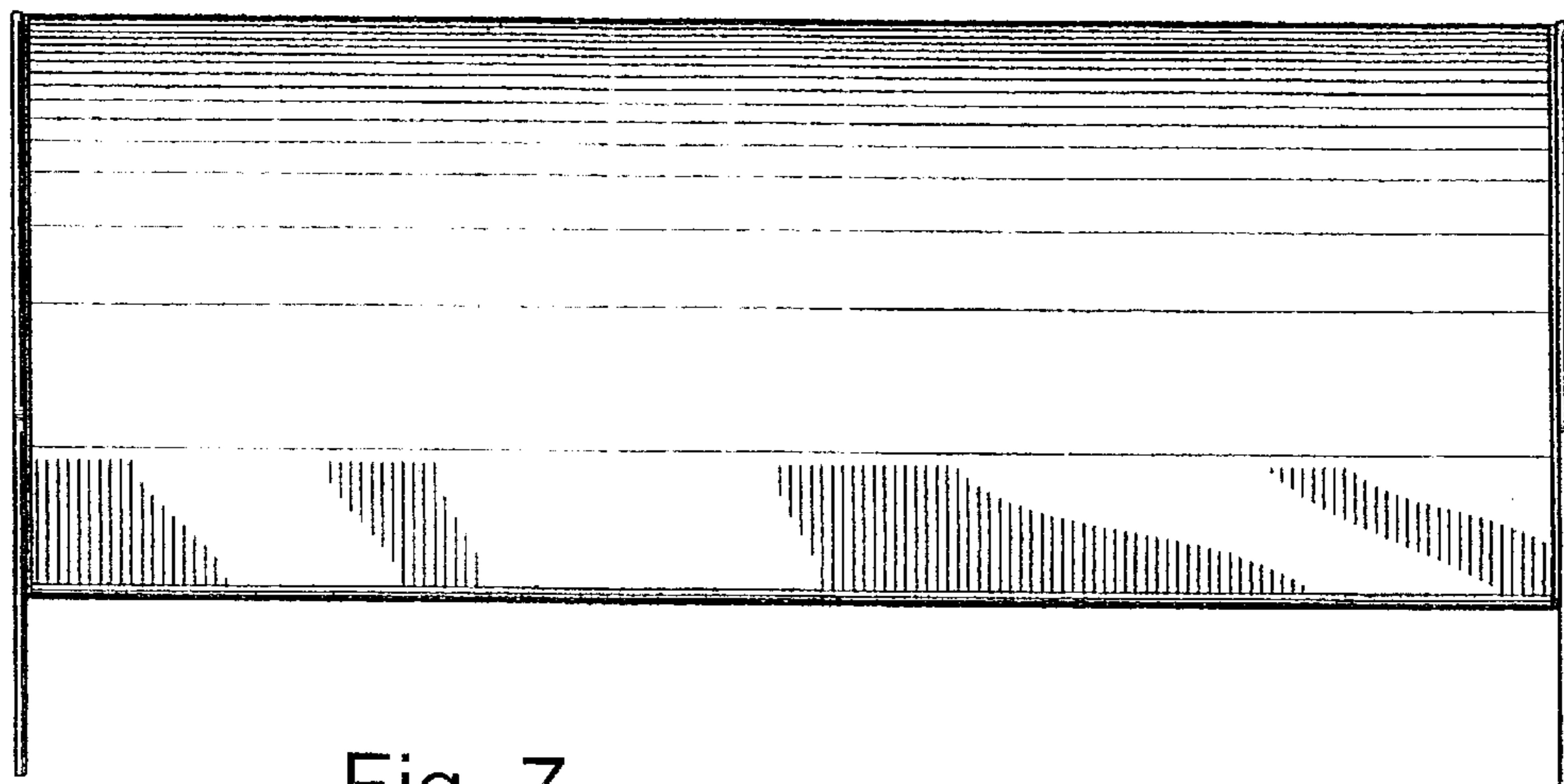


Fig. 7