



US00D463059S

(12) **United States Design Patent**  
**Verfuert**

(10) **Patent No.:** **US D463,059 S**

(45) **Date of Patent:** **\*\* Sep. 17, 2002**

(54) **OVERHEAD DOWN-LIGHT FLUORESCENT LIGHT FIXTURE**

(76) **Inventor:** **Neal R. Verfuert**, 642 Western Ave.,  
Random Lake, WI (US) 53075

(\*\*) **Term:** **14 Years**

(21) **Appl. No.:** **29/154,461**

(22) **Filed:** **Jan. 25, 2002**

(51) **LOC (7) Cl.** ..... **26-03**

(52) **U.S. Cl.** ..... **D26/78**

(58) **Field of Search** ..... **D26/72, 75-78;**  
**362/147, 404-408, 432, 217-223**

(56) **References Cited**

**U.S. PATENT DOCUMENTS**

D119,800 S	*	4/1940	Carter, Jr.	
D122,887 S	*	10/1940	Beals	
2,312,617 A	*	3/1943	Beck	
D142,126 S		8/1945	Sabatini	D26/75
D147,812 S		11/1947	Picker	D26/75
D150,735 S		8/1948	Schwartz et al.	D26/75
D329,919 S		9/1992	Jahn	D26/75
D364,478 S		11/1995	Pesau	D26/76
D365,409 S		12/1995	Lu	D26/77
5,727,871 A		3/1998	Kotloff	362/225
D395,727 S		6/1998	Thorton, Jr.	D26/74
D399,019 S		9/1998	Wilmote	D26/74
D402,763 S	*	12/1998	Bring	D24/210
6,059,424 A		5/2000	Kotloff	362/220
D434,167 S		11/2000	Foster	D26/76
D447,266 S		8/2001	Verfuert	D26/76

**OTHER PUBLICATIONS**

Sportlite Inc. brochure.\*

\* cited by examiner

*Primary Examiner*—Alan P. Douglas

*Assistant Examiner*—Clare E Heflin

(74) *Attorney, Agent, or Firm*—Robert T. Johnson

(57) **CLAIM**

The ornamental design for an overhead down-light fluorescent light fixture, as shown and described.

**DESCRIPTION**

FIG. 1—is a top plan view for an ornamental design for a fluorescent light fixture, showing my new design.

FIG. 2—is a cross-sectional view thereof, taken along the line 2—2 in FIG. 1.

FIG. 3—is a left side elevational view thereof.

FIG. 4—is a front side elevational view thereof and,

FIG. 5—is a perspective view of the ornamental design thereof; and,

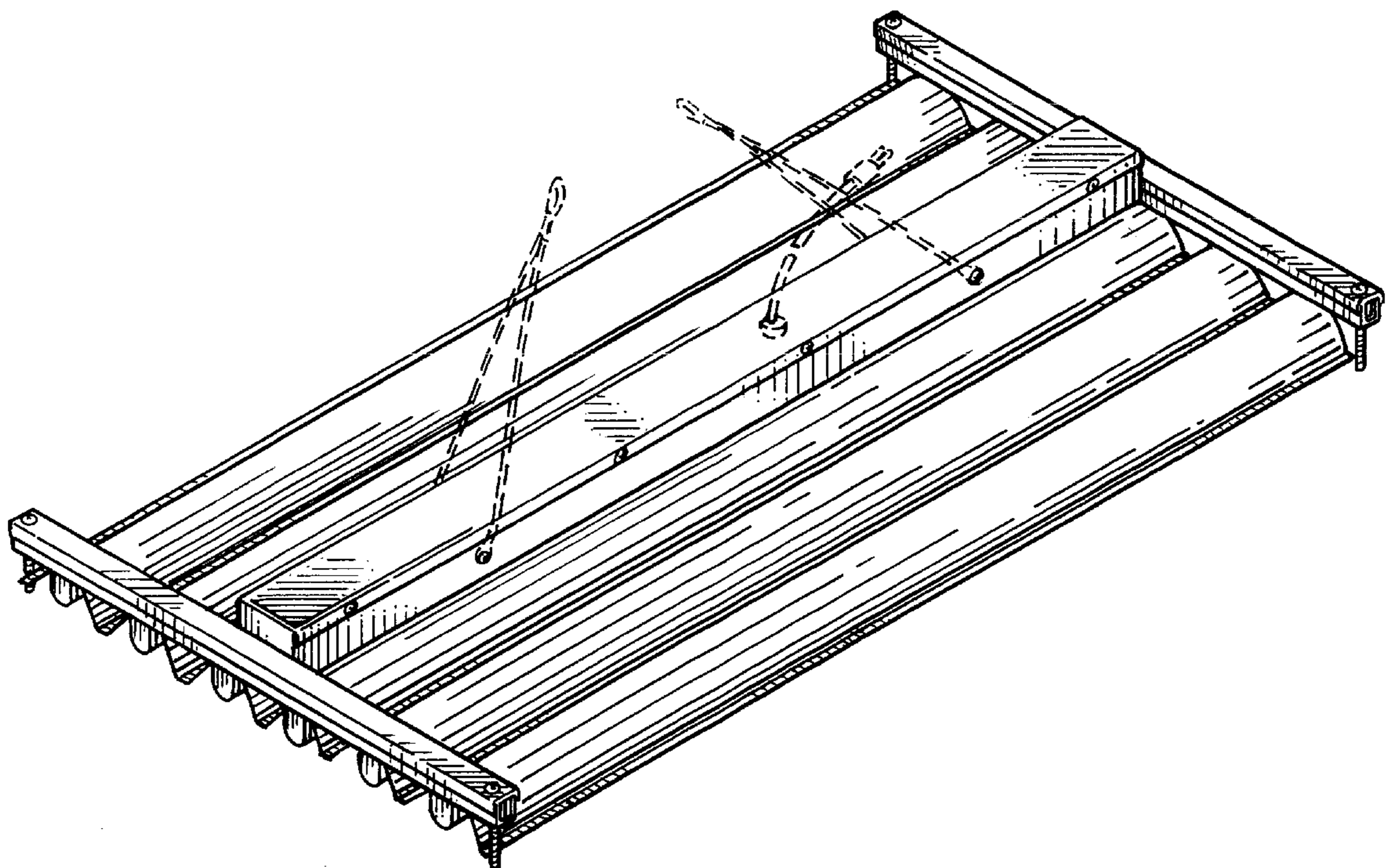
FIG. 6—is a plan view of the bottom of the ornamental design for a fluorescent light fixture.

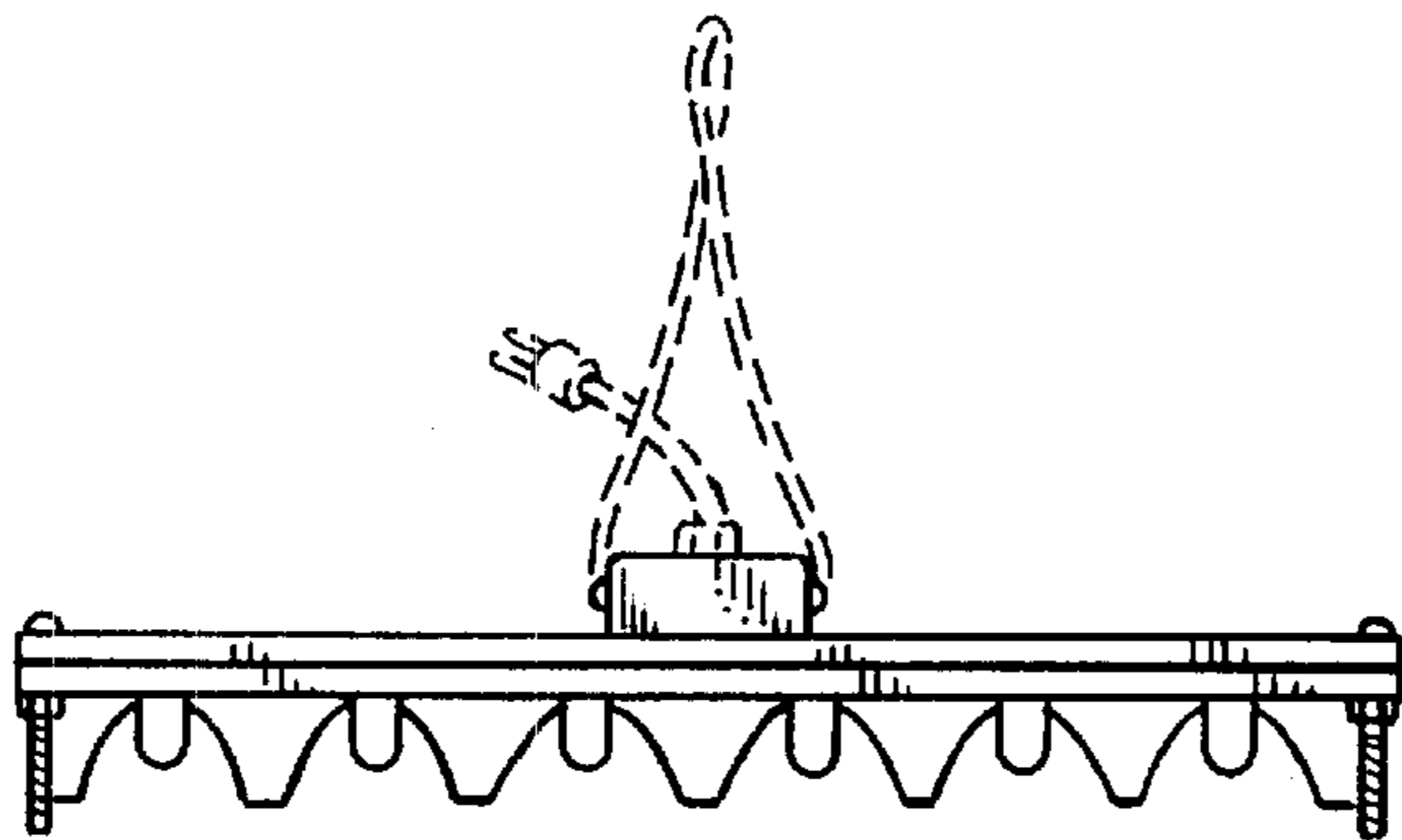
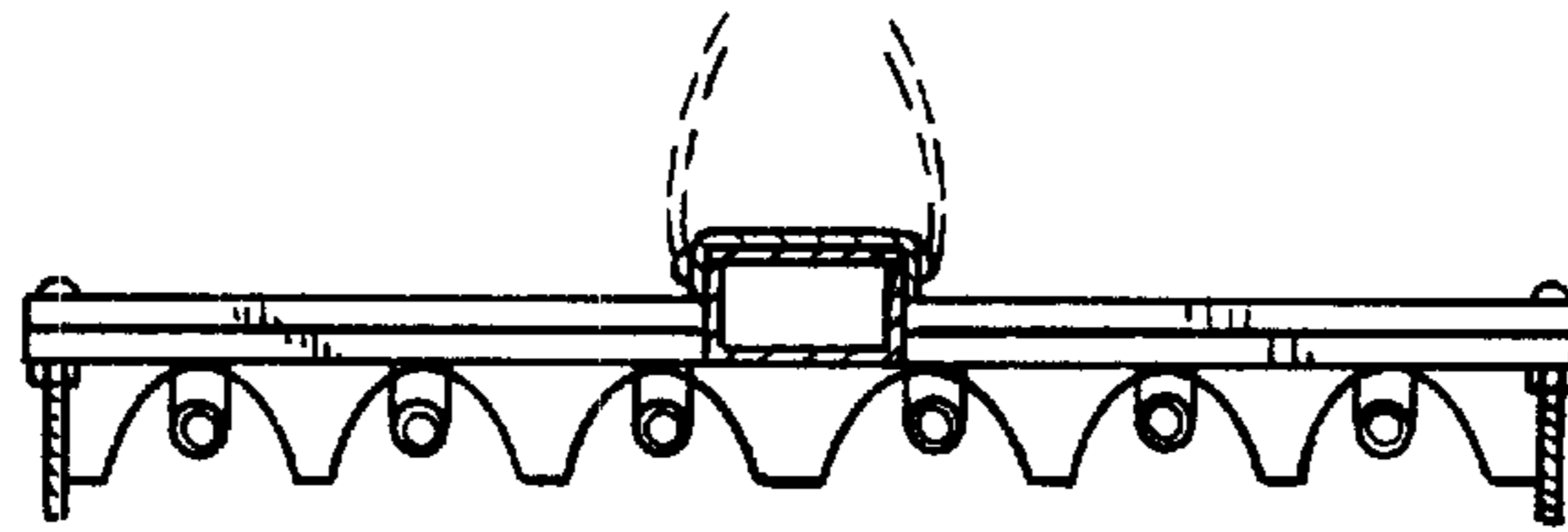
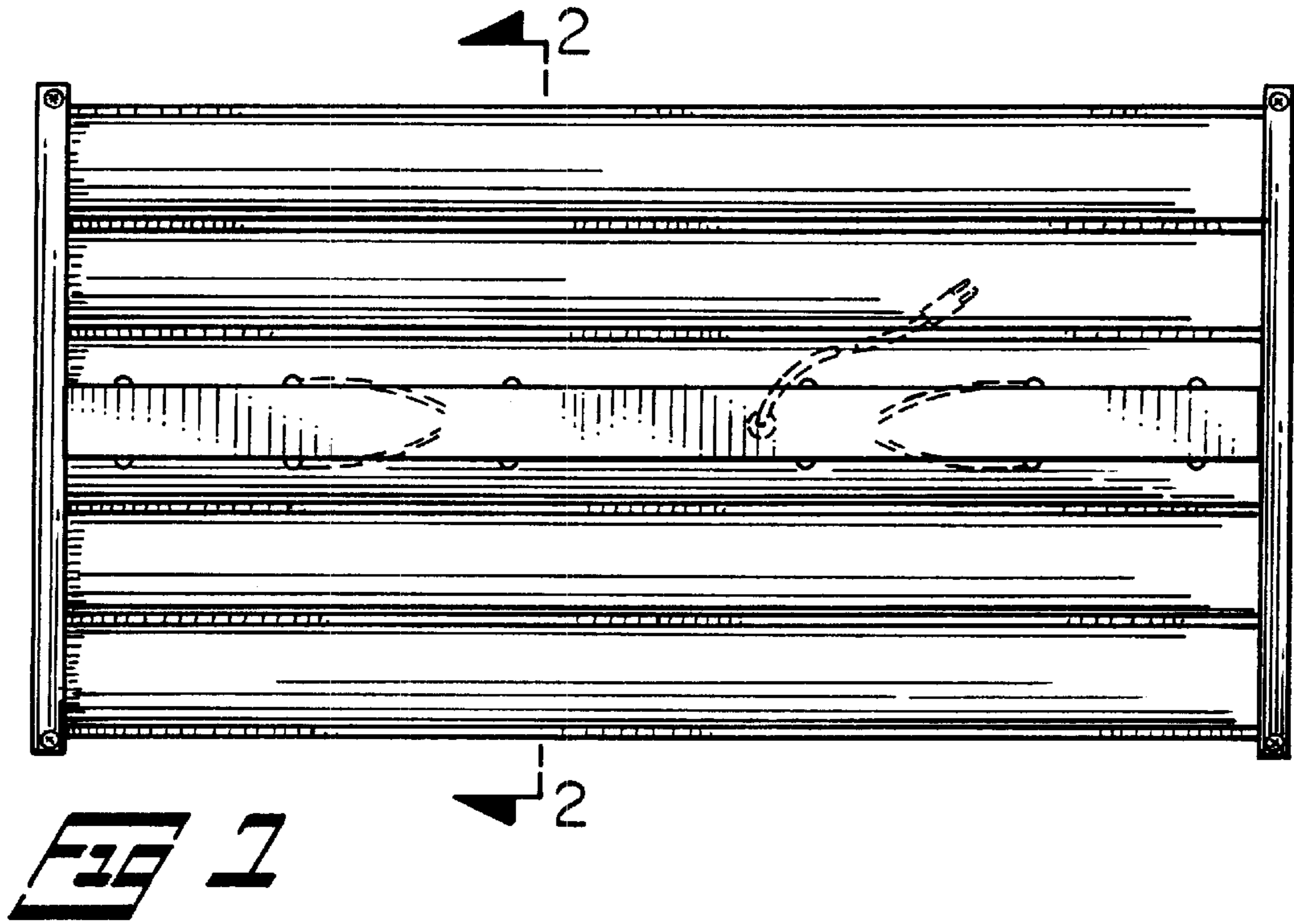
The right side elevational view is a mirror image of the left side elevational view shown in FIG. 3.

The back side elevational view is a mirror image of the front side elevational view shown in FIG. 4.

The dashed lines of hanger cable, shown in FIGS. 3 and 4 are for illustration only, and form no part of this invention.

**1 Claim, 3 Drawing Sheets**





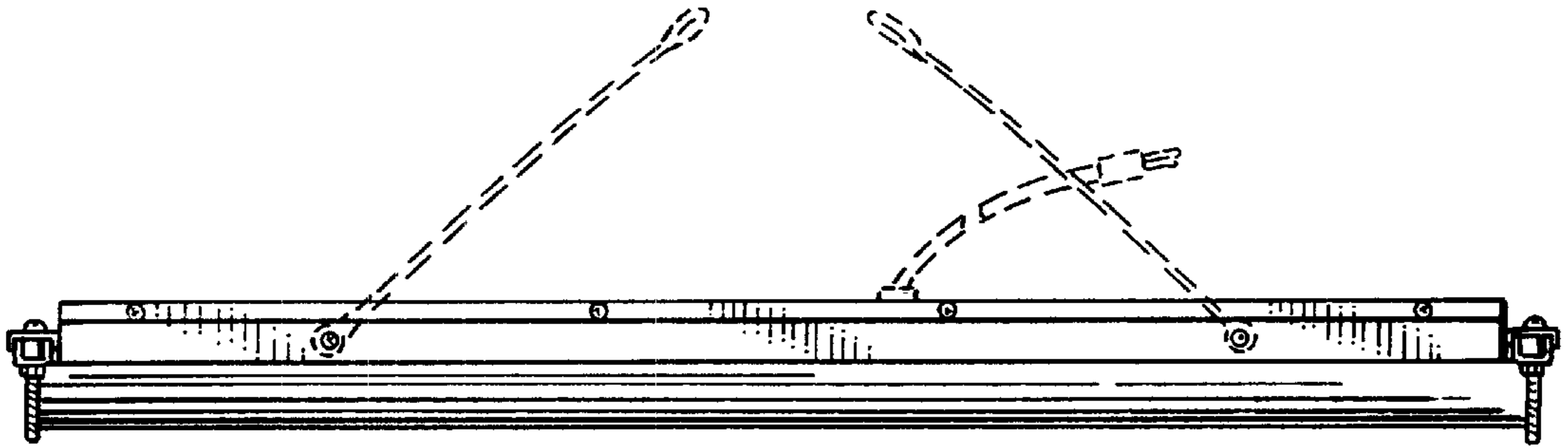


FIG 4

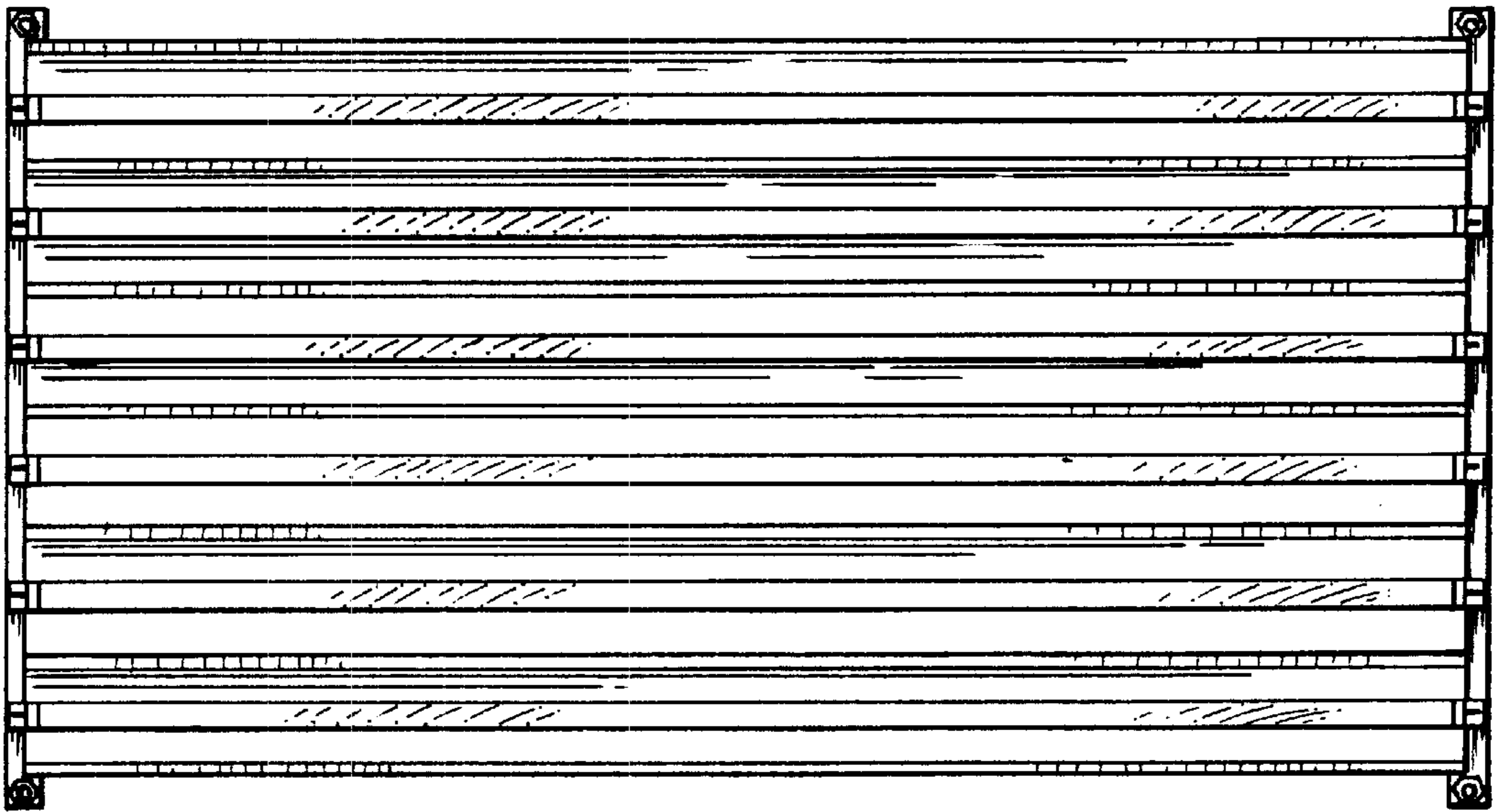


FIG 6

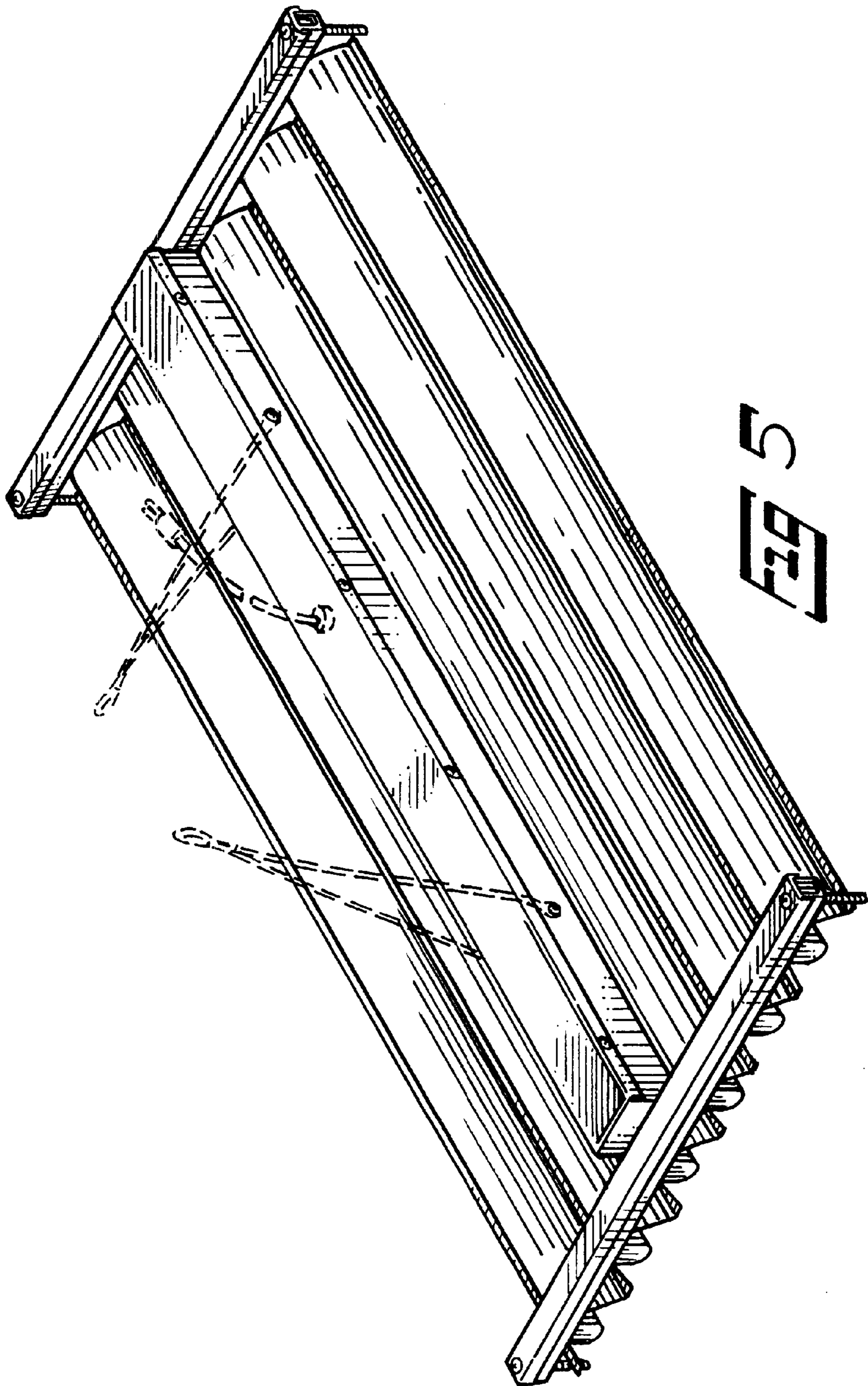


FIG 5