



US00D463057S

(12) **United States Design Patent**  
**Chang**

(10) **Patent No.:** **US D463,057 S**

(45) **Date of Patent:** **\*\* Sep. 17, 2002**

(54) **SOLAR LAMP**

(76) Inventor: **Tsu-Kang Chang**, No. 569-1, Pei-An Rd., Chung-Shan Dist., Taipei (TW)

(\*\*) Term: **14 Years**

(21) Appl. No.: **29/154,134**

(22) Filed: **Jan. 22, 2002**

(51) **LOC (7) Cl.** ..... **26-05**

(52) **U.S. Cl.** ..... **D26/71**

(58) **Field of Search** ..... D26/67-71; 362/153, 362/153.1, 183, 431

(56) **References Cited**

**U.S. PATENT DOCUMENTS**

D376,892 S \* 12/1996 Tsao ..... D26/67

D424,729 S \* 5/2000 Sonnenfeldt ..... D26/67

\* cited by examiner

*Primary Examiner*—Marcus A. Jackson

(74) *Attorney, Agent, or Firm*—Rabin & Berdo, P.C.

(57) **CLAIM**

The ornamental design for a solar lamp, as shown.

**DESCRIPTION**

FIG. 1 is a perspective view of a solar lamp, showing my new design;

FIG. 2 is a front elevational view thereof;

FIG. 3 is a rear elevational view thereof;

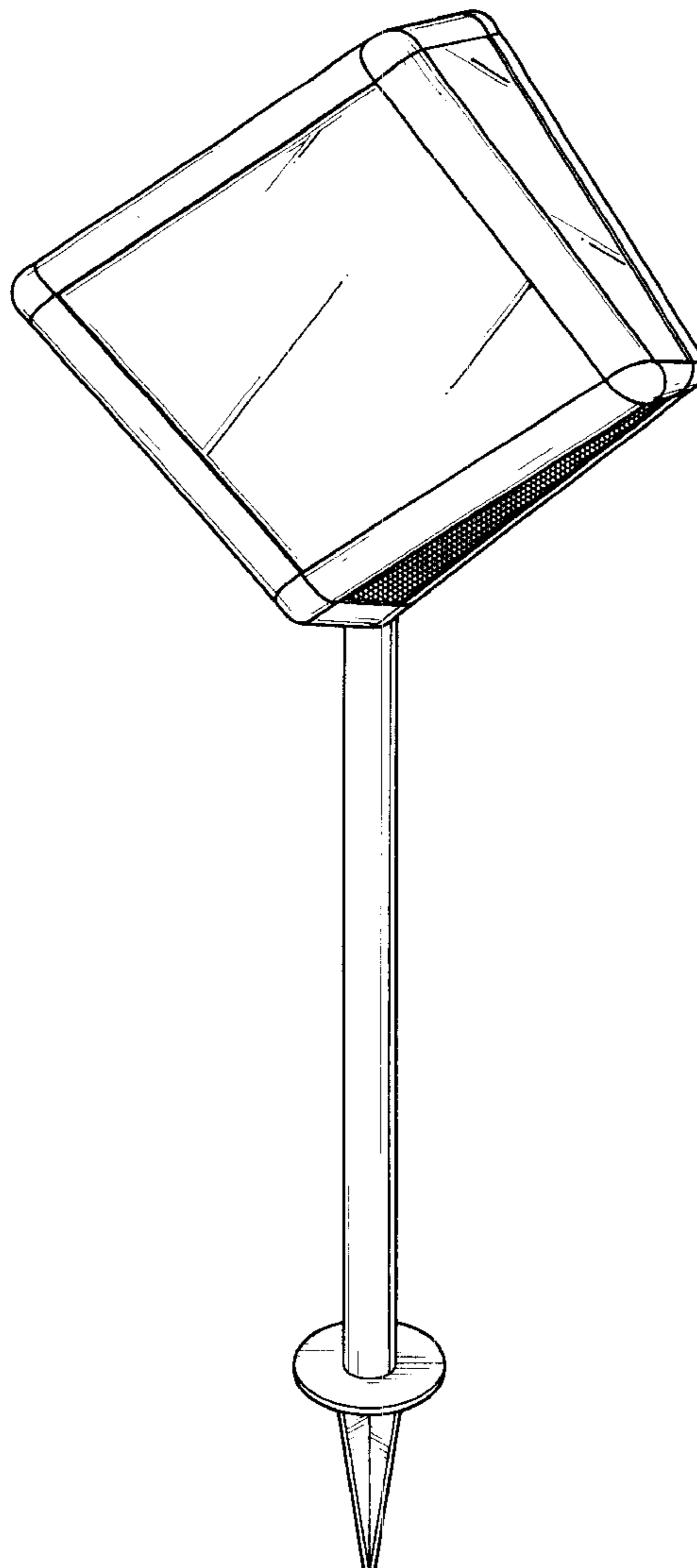
FIG. 4 is a left elevational view thereof;

FIG. 5 is a right elevational view thereof;

FIG. 6 is top plan view thereof; and,

FIG. 7 is a bottom plan view thereof.

**1 Claim, 6 Drawing Sheets**



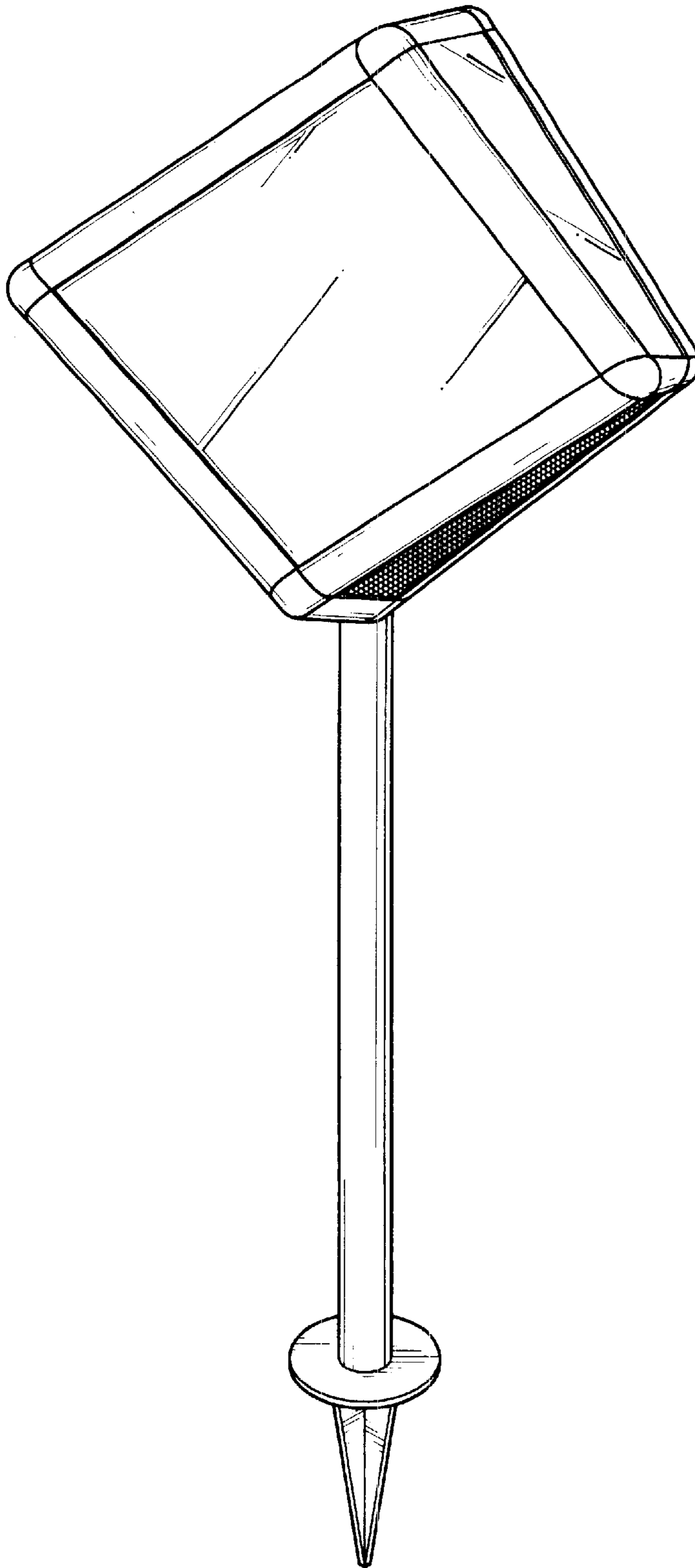


FIG. 1

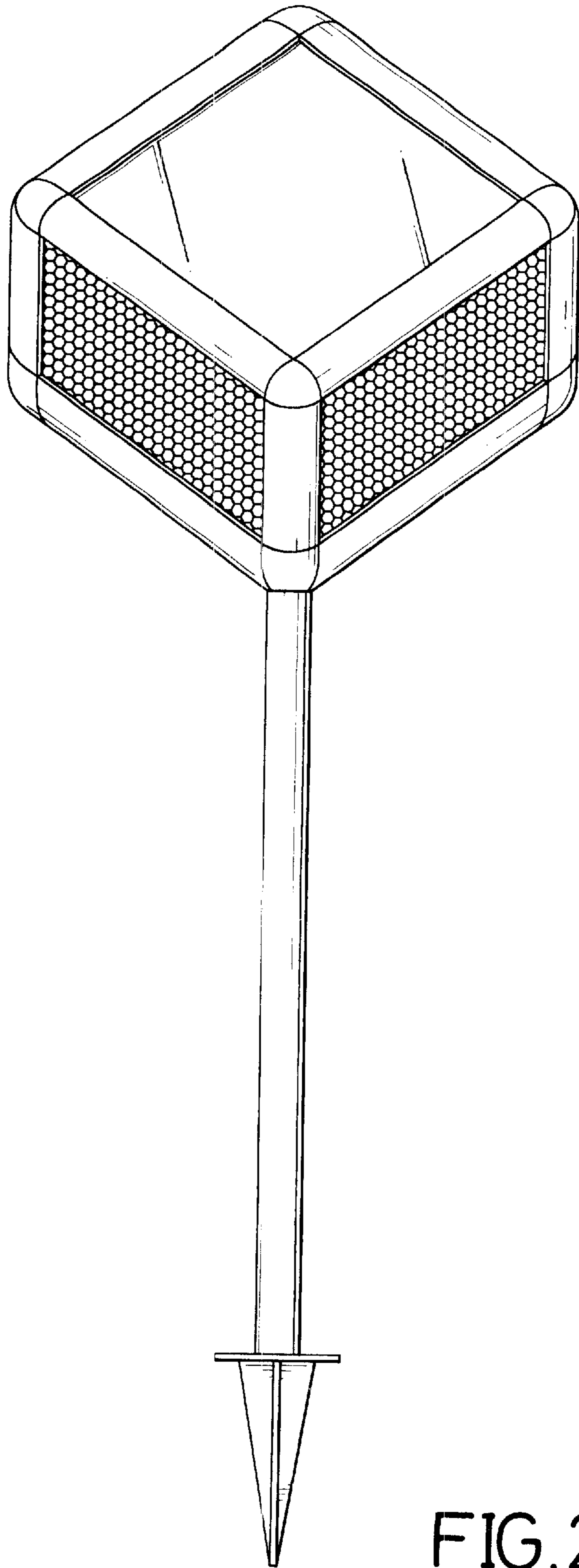


FIG. 2

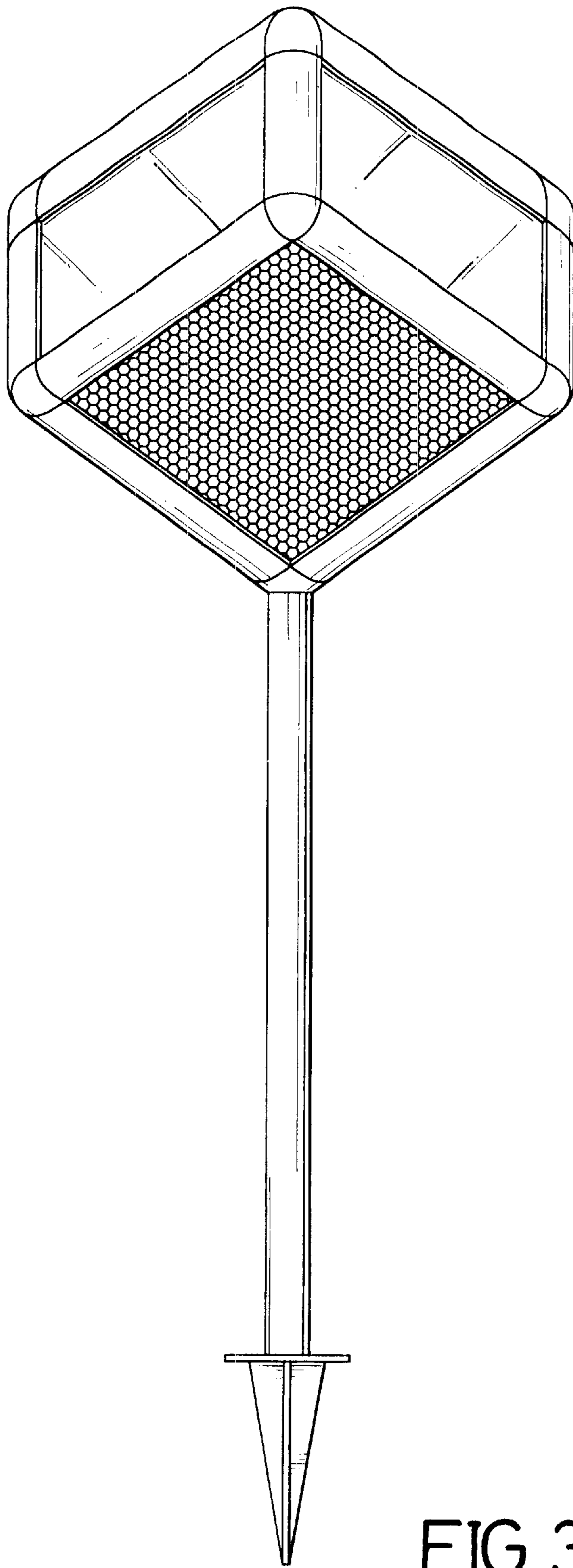


FIG. 3

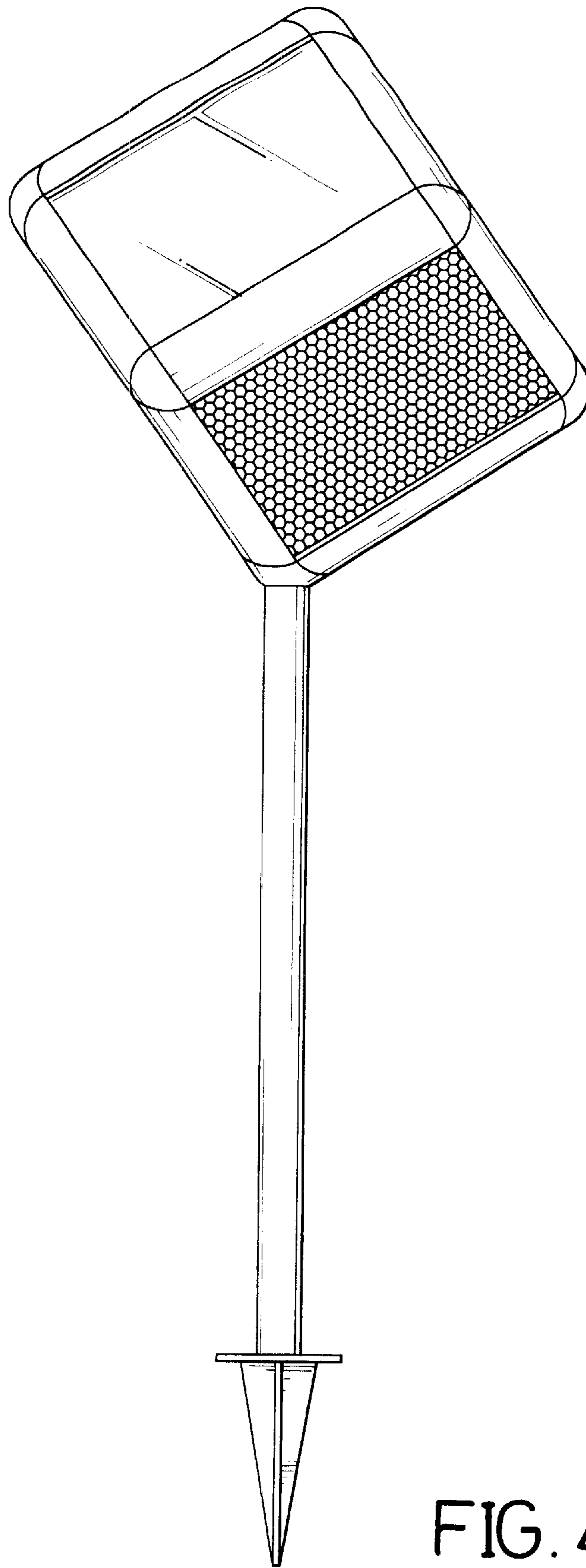


FIG. 4

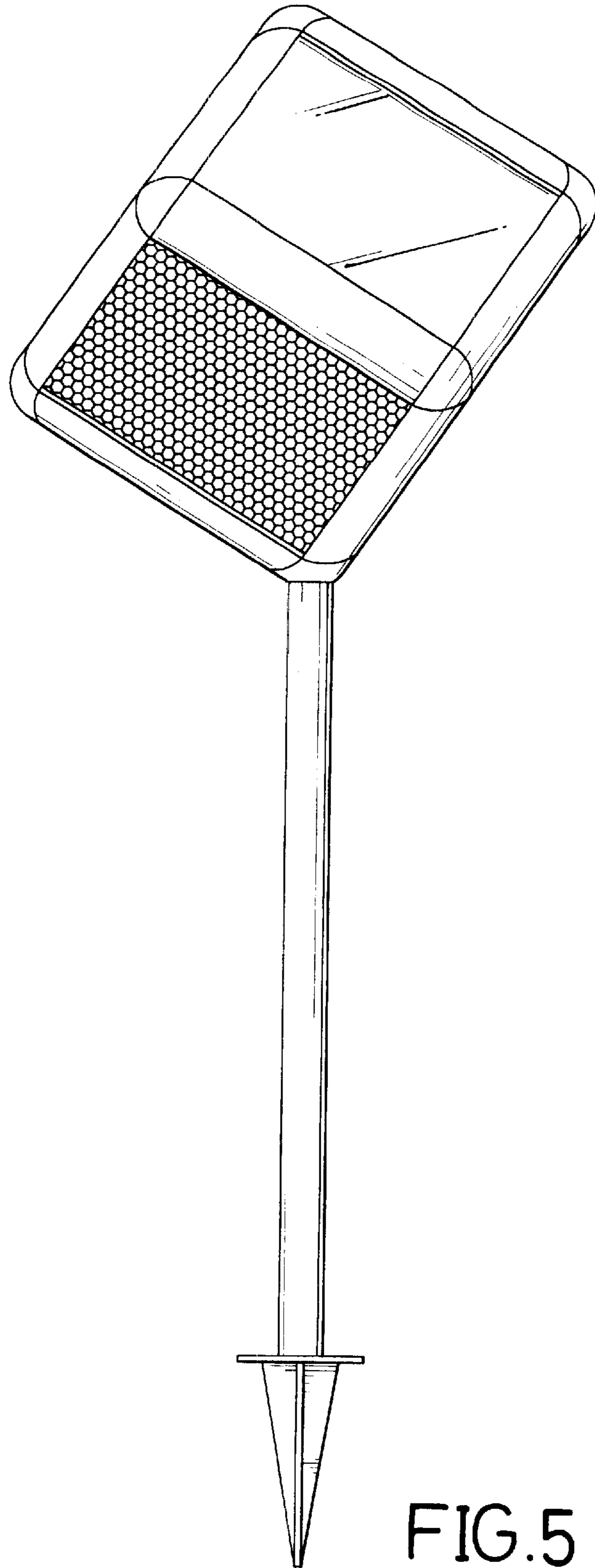


FIG. 5

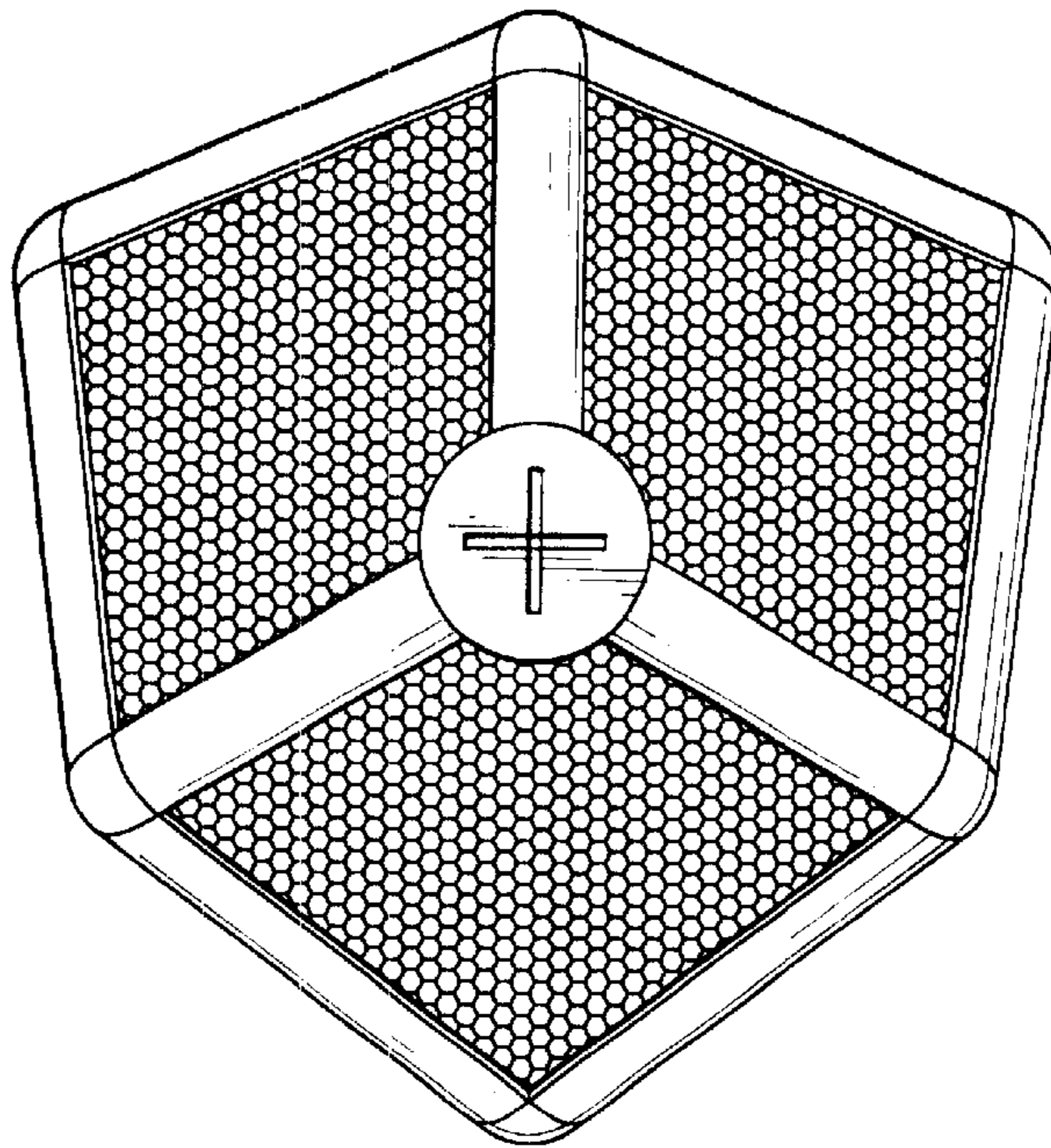


FIG. 7

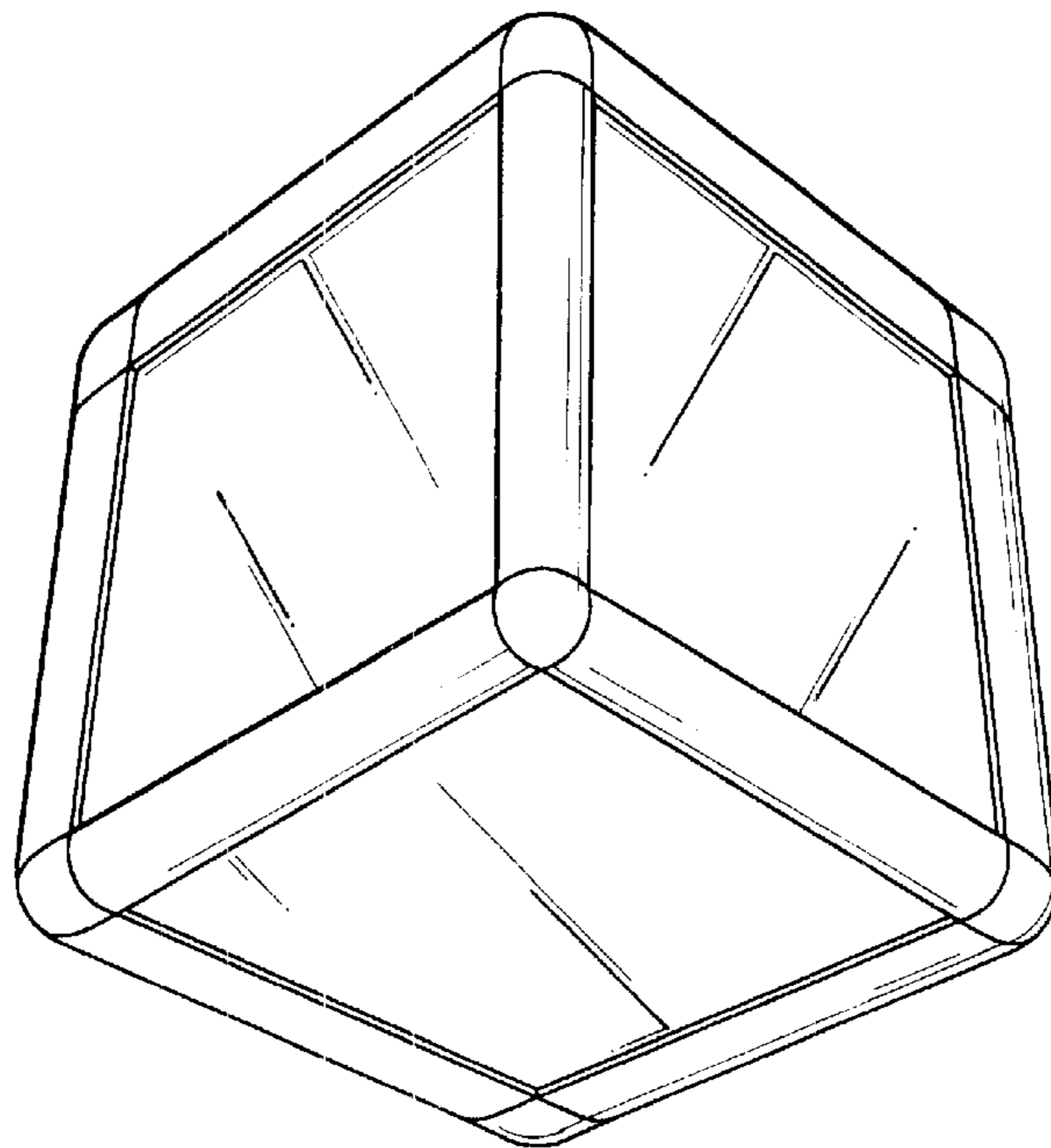


FIG. 6