



US00D463055S

(12) **United States Design Patent**
Layne et al.

(10) **Patent No.:** **US D463,055 S**

(45) **Date of Patent:** **** Sep. 17, 2002**

(54) **TRACK LIGHTING FIXTURE**

(75) Inventors: **Bruce Layne**, Wheaton, IL (US);
James Agro, Geneva, IL (US); **Steven Pyshos**, Glenview, IL (US)

(73) Assignee: **Cooper Industries, Inc.**, Houston, TX (US)

(**) Term: **14 Years**

(21) Appl. No.: **29/127,063**

(22) Filed: **Jul. 28, 2000**

(51) **LOC (7) Cl.** **26-05**

(52) **U.S. Cl.** **D26/63**

(58) **Field of Search** D26/60-66; 362/269,
362/270, 275, 277, 278, 281, 283, 284,
285, 287, 289, 401, 402, 423, 427

(56) **References Cited**

U.S. PATENT DOCUMENTS

4,032,208	A	6/1977	Berkenhoff	
D247,171	S	2/1978	Berkenhoff	
5,291,381	A	3/1994	Price	
5,593,224	A	1/1997	Kunkel et al.	
5,855,485	A	1/1999	Patti	
6,059,582	A	5/2000	Tsai	
6,079,992	A	6/2000	Kuchar et al.	
D439,998	S	* 4/2001	Lin	D26/63
D447,261	S	* 8/2001	Tang	D26/63
D453,227	S	* 1/2002	Lin	D26/63
D454,219	S	* 3/2002	Thompson	D26/63

OTHER PUBLICATIONS

Translite Systems products brochure from www.translite.com prior to Jul. 28, 2000.

Ardee Lighting products brochure from www.ardeelighting.com prior to Jul. 28, 2000.

Juno Lighting products brochure from www.junolighting.com prior to Jul. 28, 2000.

Belfer Lighting products from brochure www.belfer.com prior to Jul. 28, 2000.

Erco Lighting products brochure from www.erco.com prior to Jul. 28, 2000.

* cited by examiner

Primary Examiner—Marcus A. Jackson

(74) *Attorney, Agent, or Firm*—Thomas, Kayden, Horstemeyer & Risley, LLP

(57) **CLAIM**

I claim the ornamental design for a track lighting fixture, as shown and described.

DESCRIPTION

FIG. 1 is a right front perspective view of a task fixture showing the new design in a partially rotated position; FIG. 2 is a left rear perspective view thereof in a downward position; FIG. 3 is a left plan view thereof in a downward position; FIG. 4 is a top view thereof in a partially rotated position; FIG. 5 is an exploded bottom view thereof with the lens cover removed and in a downward position; and, FIG. 6 is a partial right front perspective view thereof in a downward position.

1 Claim, 6 Drawing Sheets

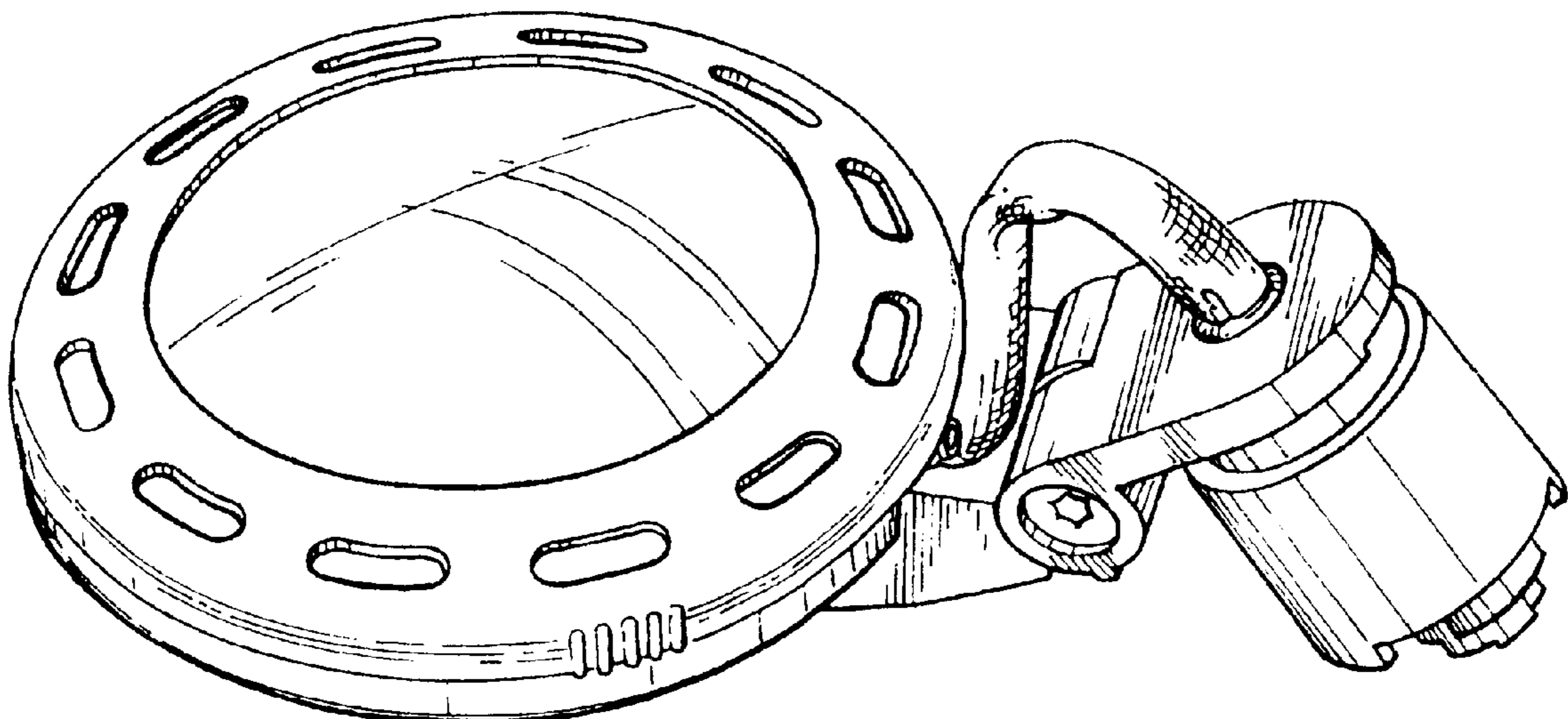
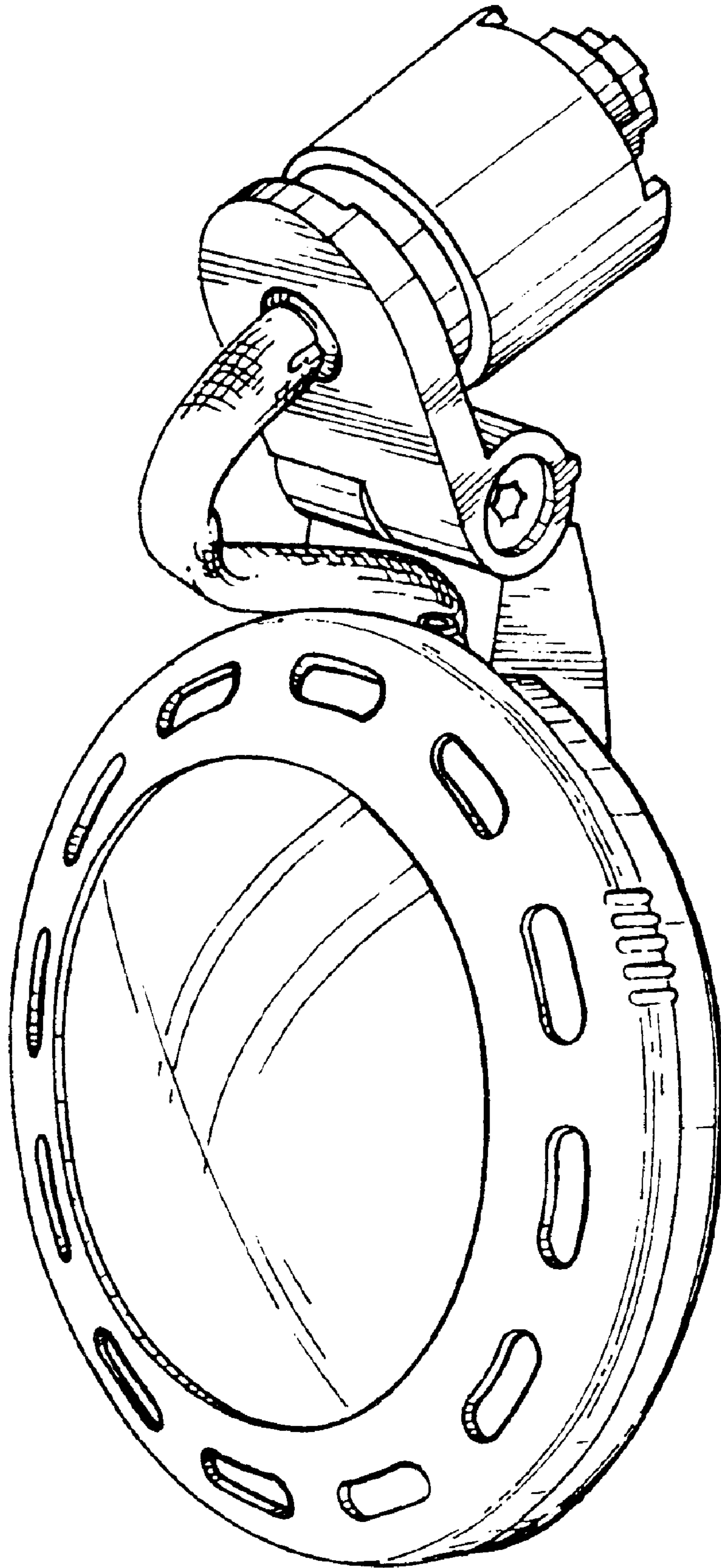


FIG. 1



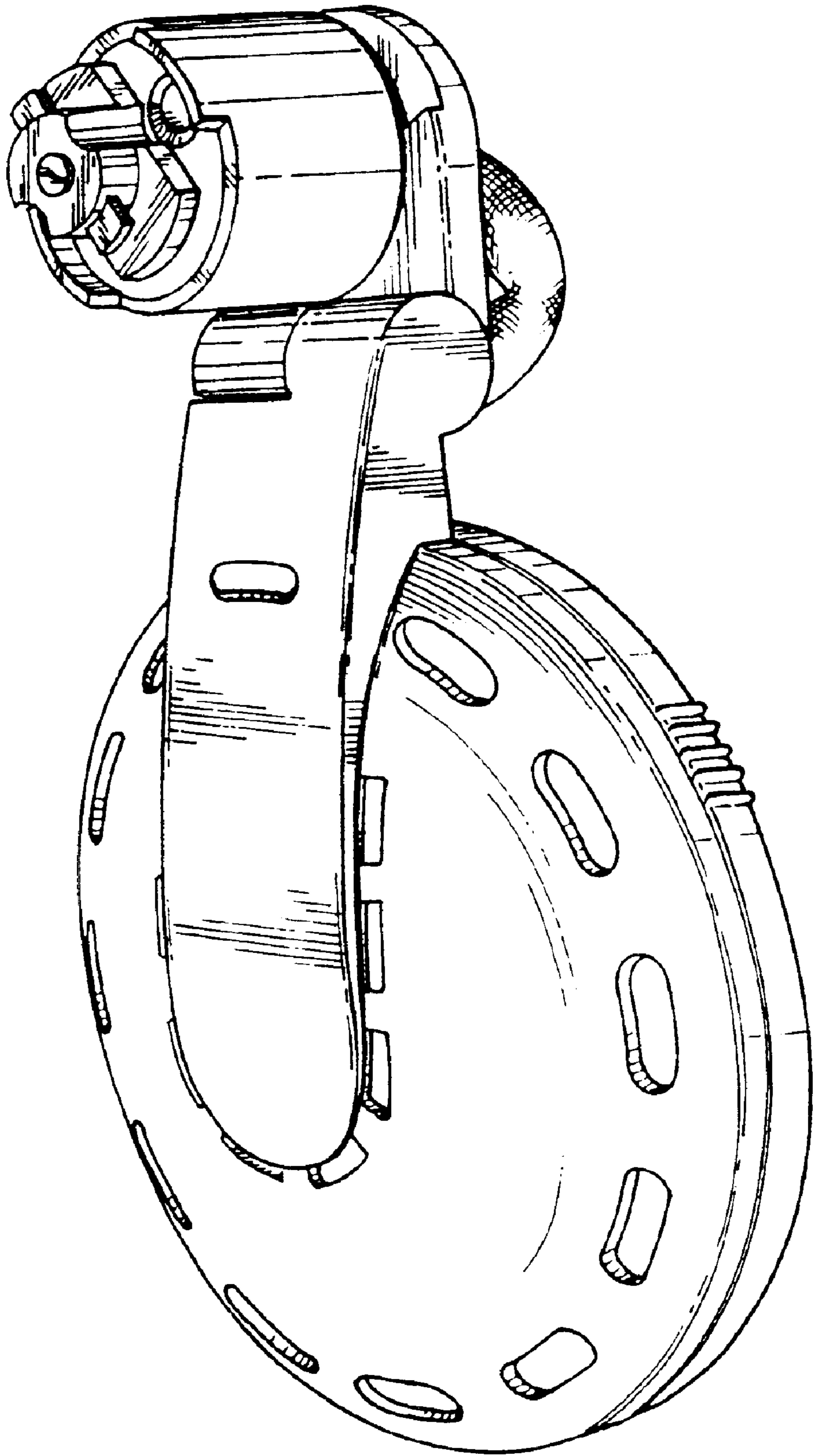
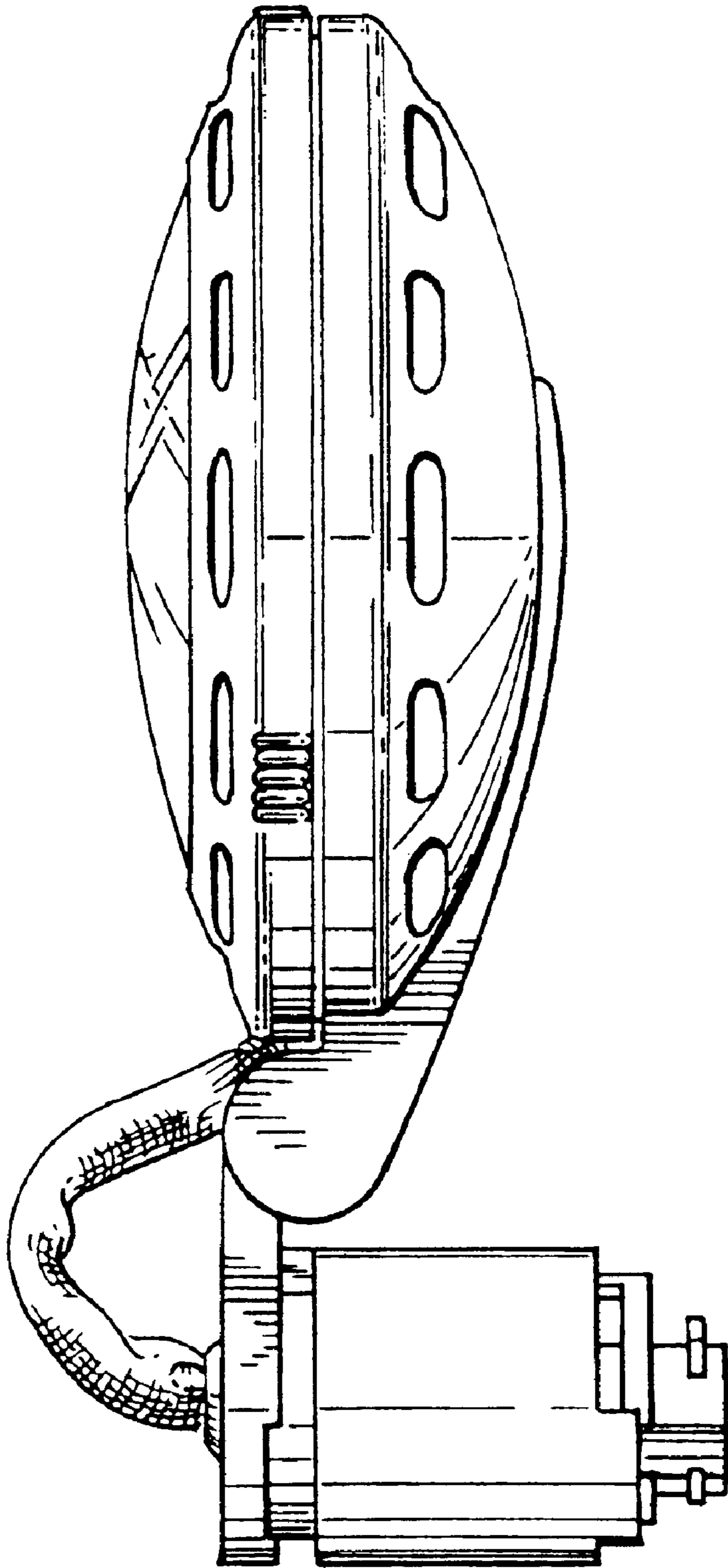


FIG. 2

FIG. 3



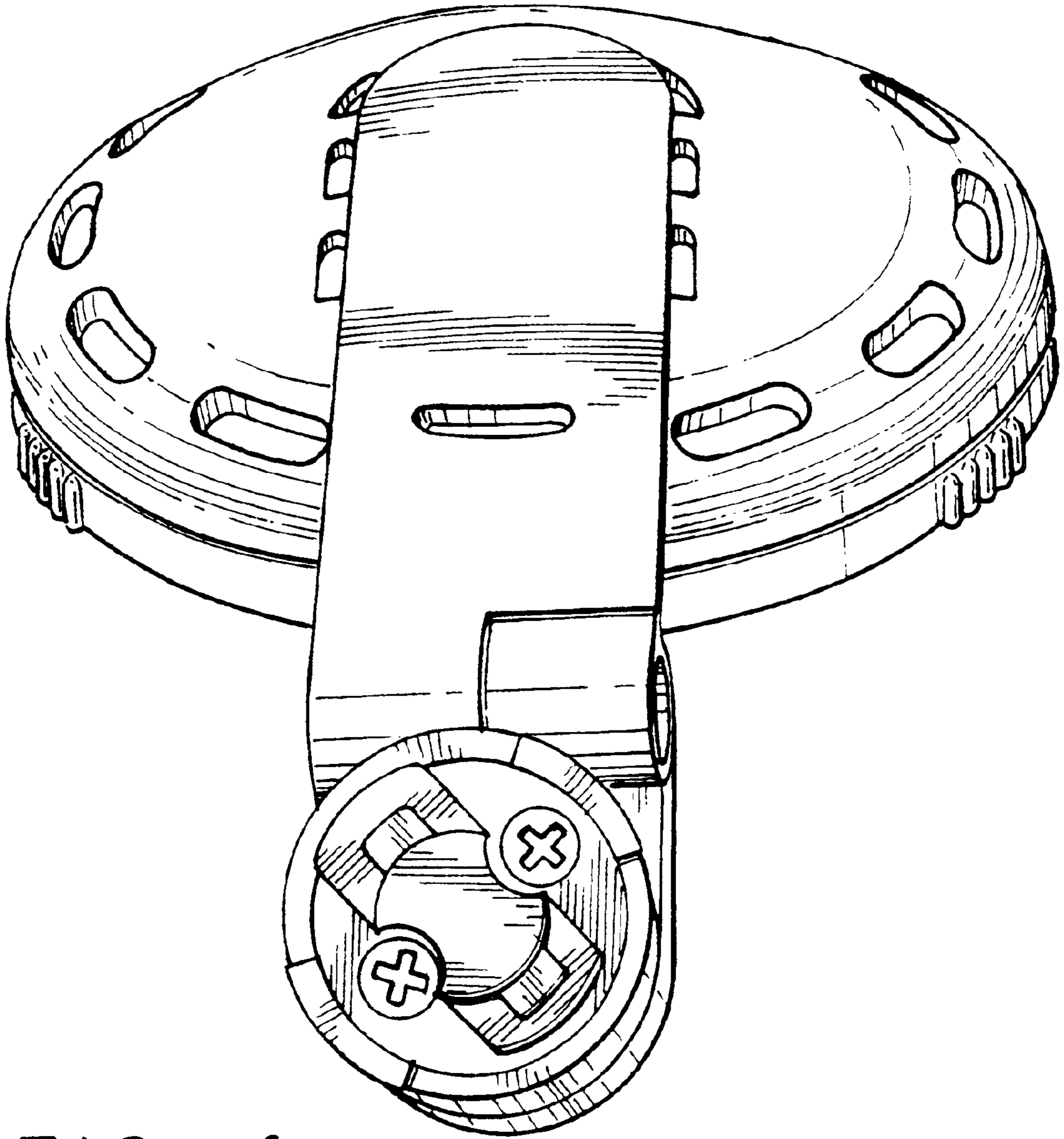


FIG. 4

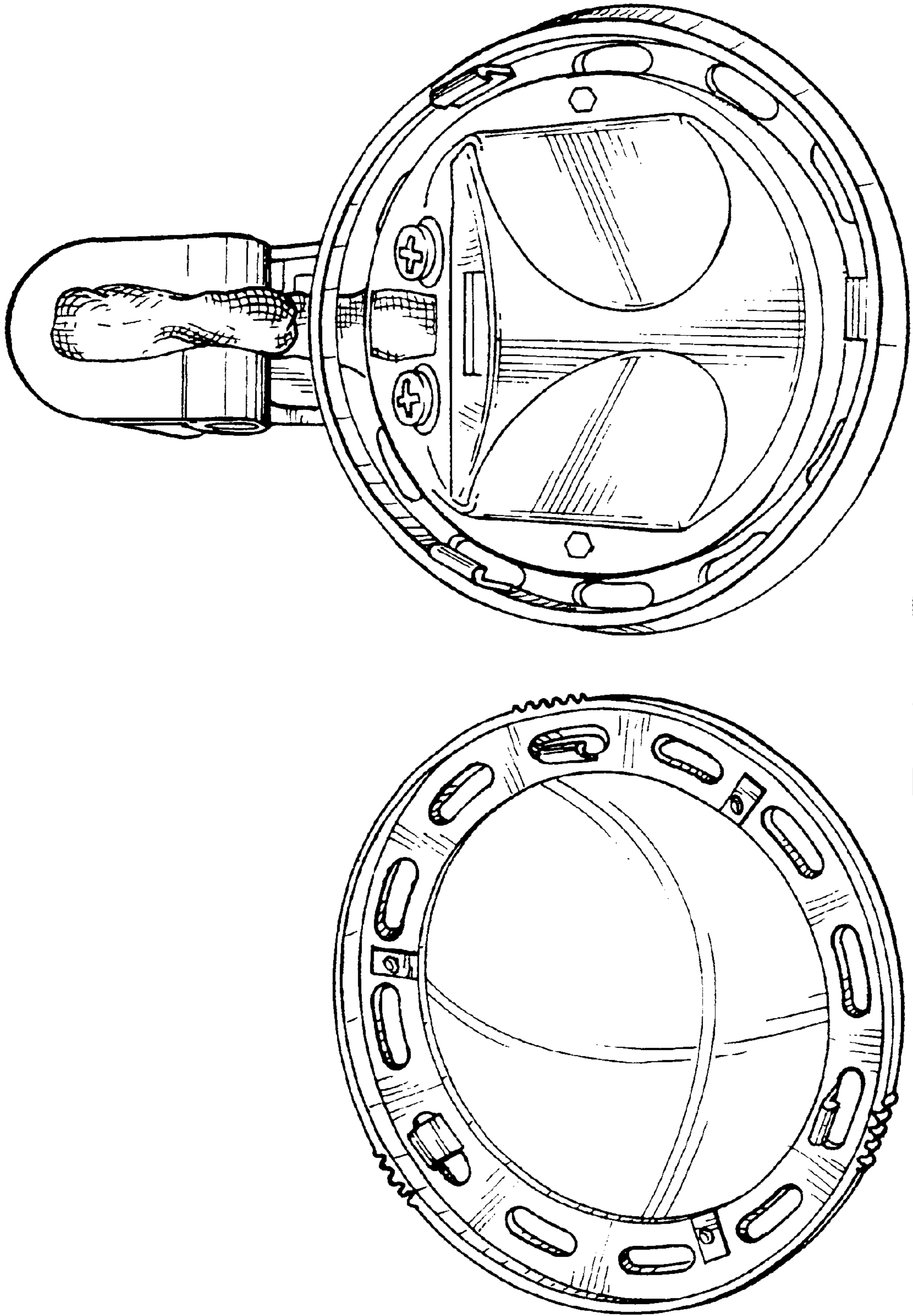


FIG. 5

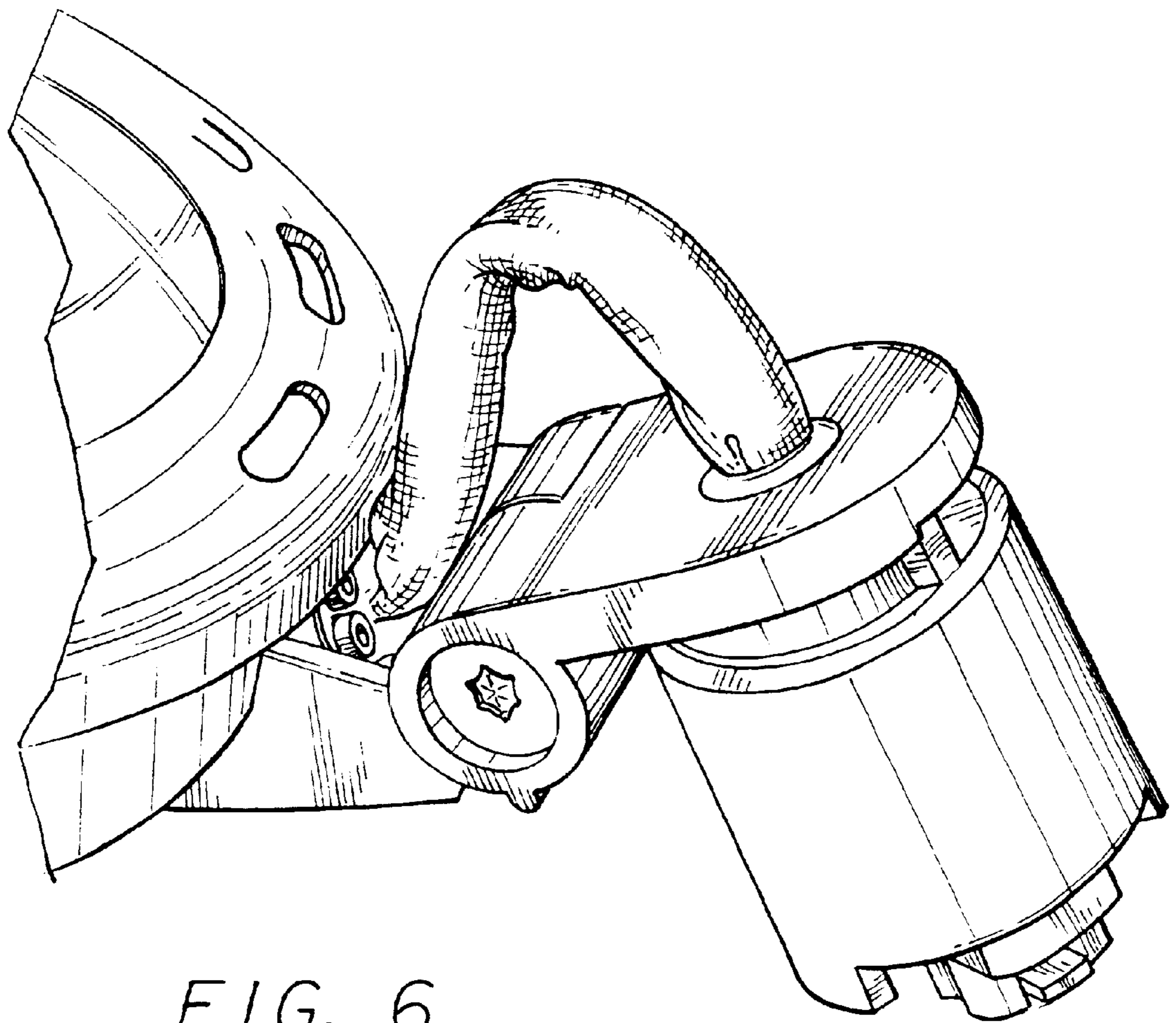


FIG. 6