



US00D463051S

(12) **United States Design Patent**
Shiu

(10) **Patent No.:** **US D463,051 S**

(45) **Date of Patent:** **** Sep. 17, 2002**

(54) **CLIP LIGHT**

D446,324 S * 8/2001 Lynch et al. D26/37
D449,394 S * 10/2001 Parker D26/37

(75) Inventor: **Stephanie Wai Man Shiu, Kowloon (HK)**

* cited by examiner

(73) Assignee: **Gold Coral International Limited, Kowloon (HK)**

Primary Examiner—Marcus A. Jackson
(74) *Attorney, Agent, or Firm*—Mitchell Silberberg & Knupp LLP

(**) Term: **14 Years**

(21) Appl. No.: **29/152,689**

(22) Filed: **Dec. 20, 2001**

(30) **Foreign Application Priority Data**

Aug. 9, 2001 (HK) 0111174

(51) **LOC (7) Cl.** **26-02**

(52) **U.S. Cl.** **D26/38**

(58) **Field of Search** D26/37-50; 362/157, 362/158, 162, 171, 172, 173, 181-208

(56) **References Cited**

U.S. PATENT DOCUMENTS

D425,226 S * 5/2000 Galli D26/37

(57) **CLAIM**

The ornamental design for a clip light, as shown and described.

DESCRIPTION

FIG. 1 is a left side elevational view of a clip light showing the new design, with the right side elevational view being a mirror image of the left side elevational view.

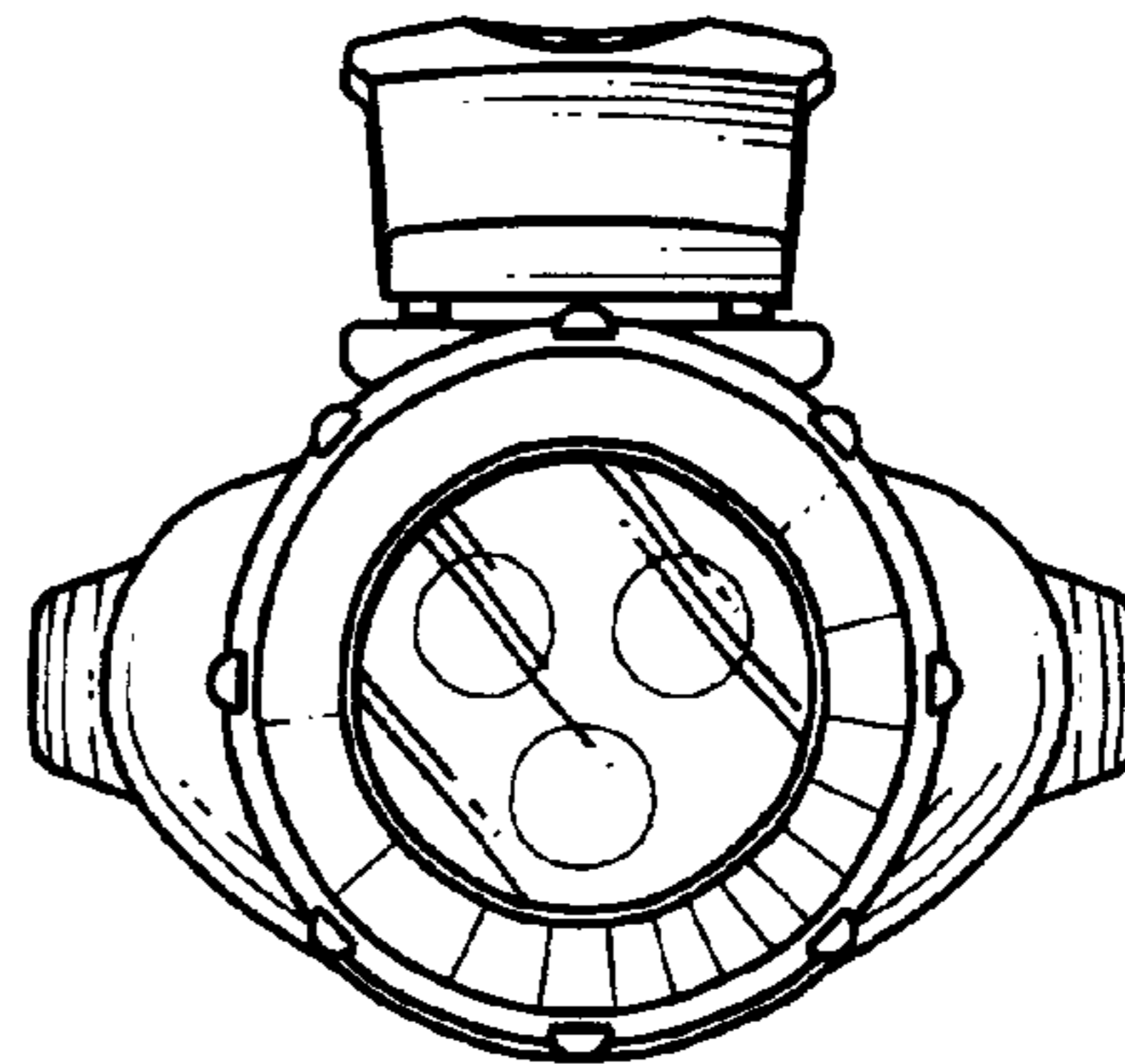
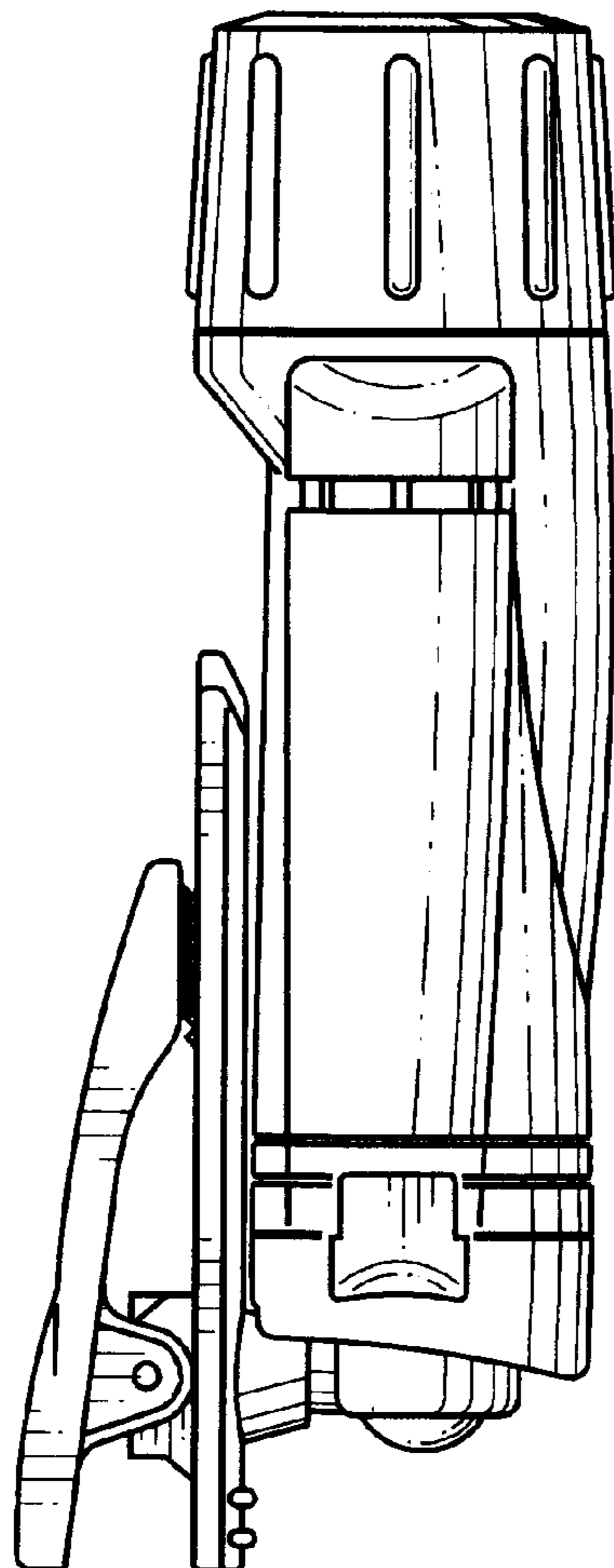
FIG. 2 is a top plan view thereof.

FIG. 3 is a bottom plan view thereof.

FIG. 4 is a front elevational view thereof; and,

FIG. 5 is a rear elevational view thereof.

1 Claim, 1 Drawing Sheet



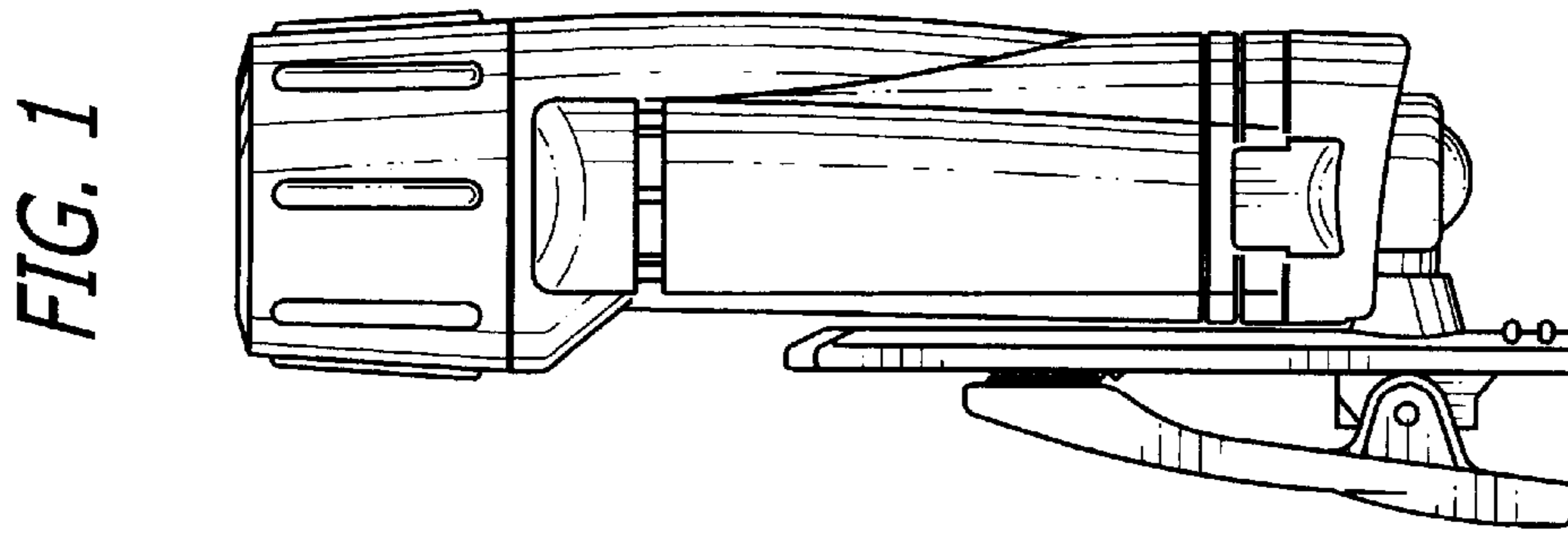


FIG. 1

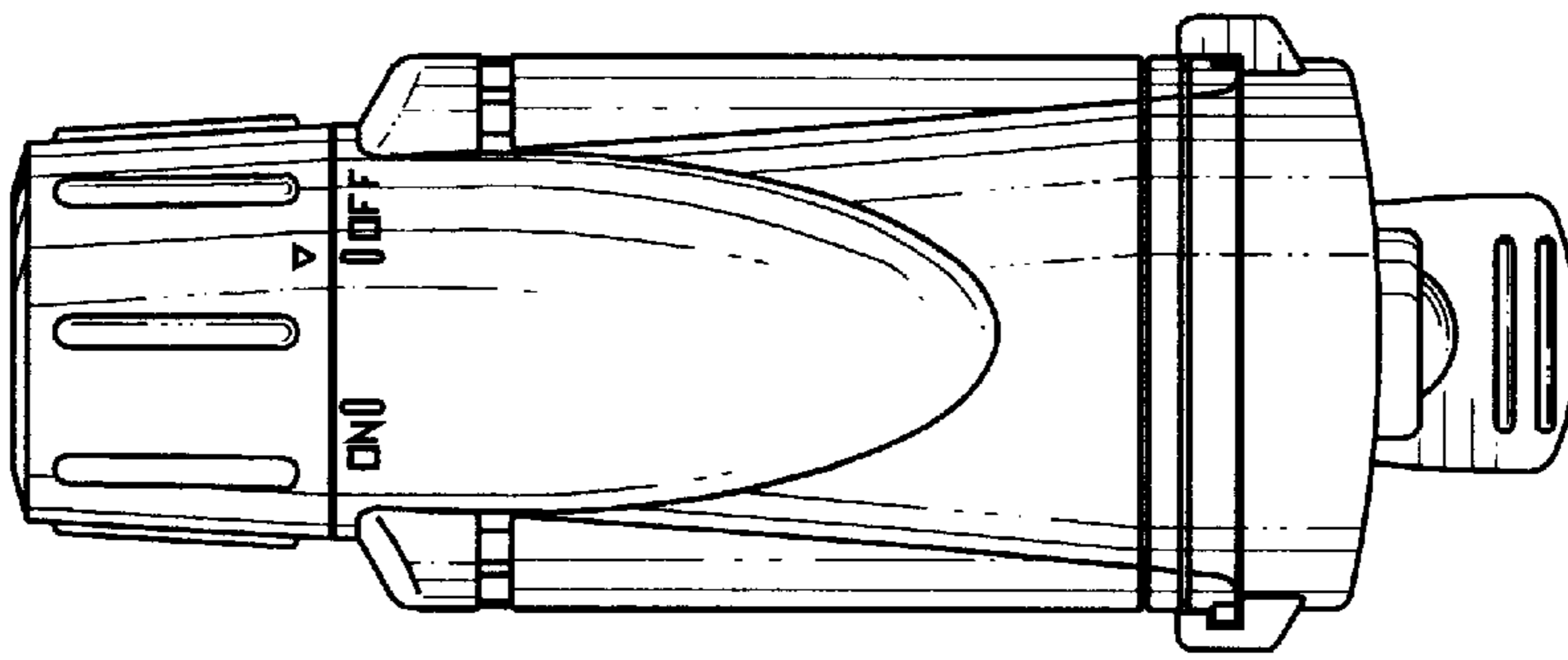


FIG. 2

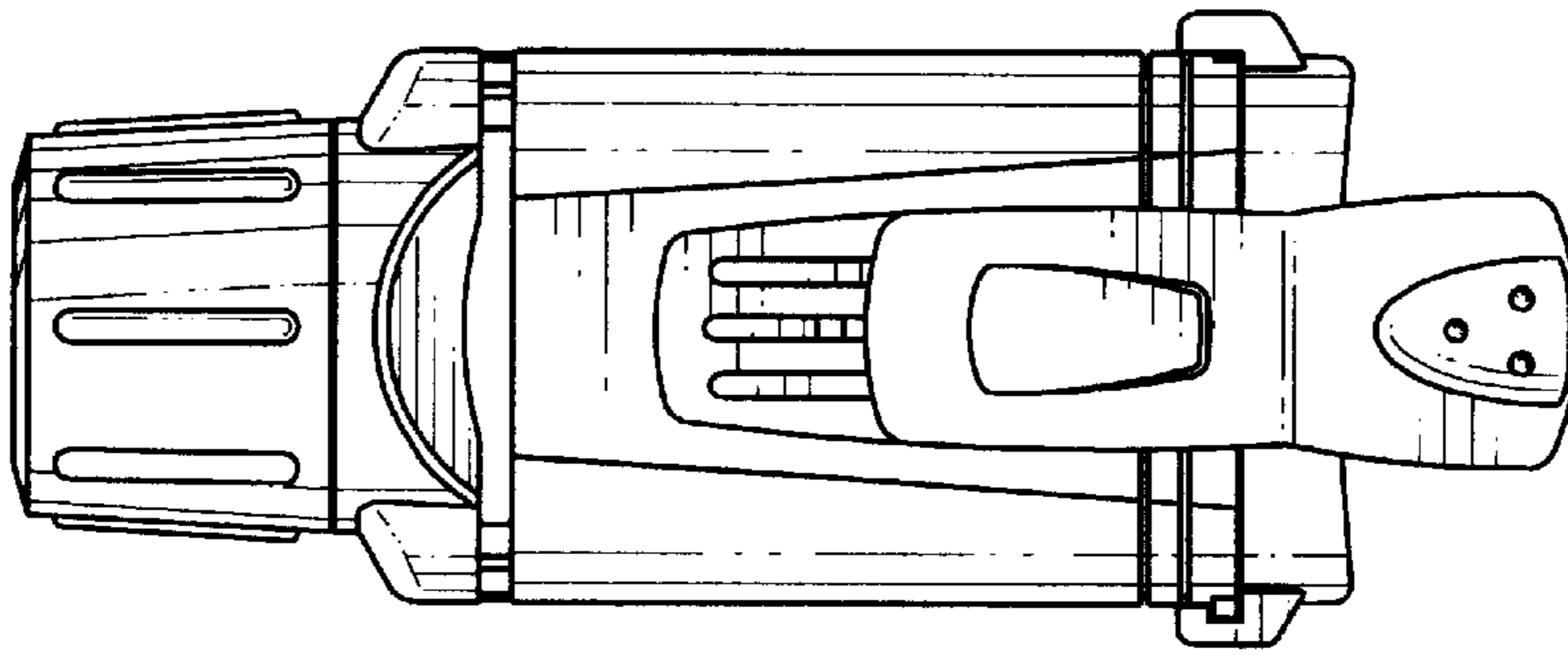


FIG. 3

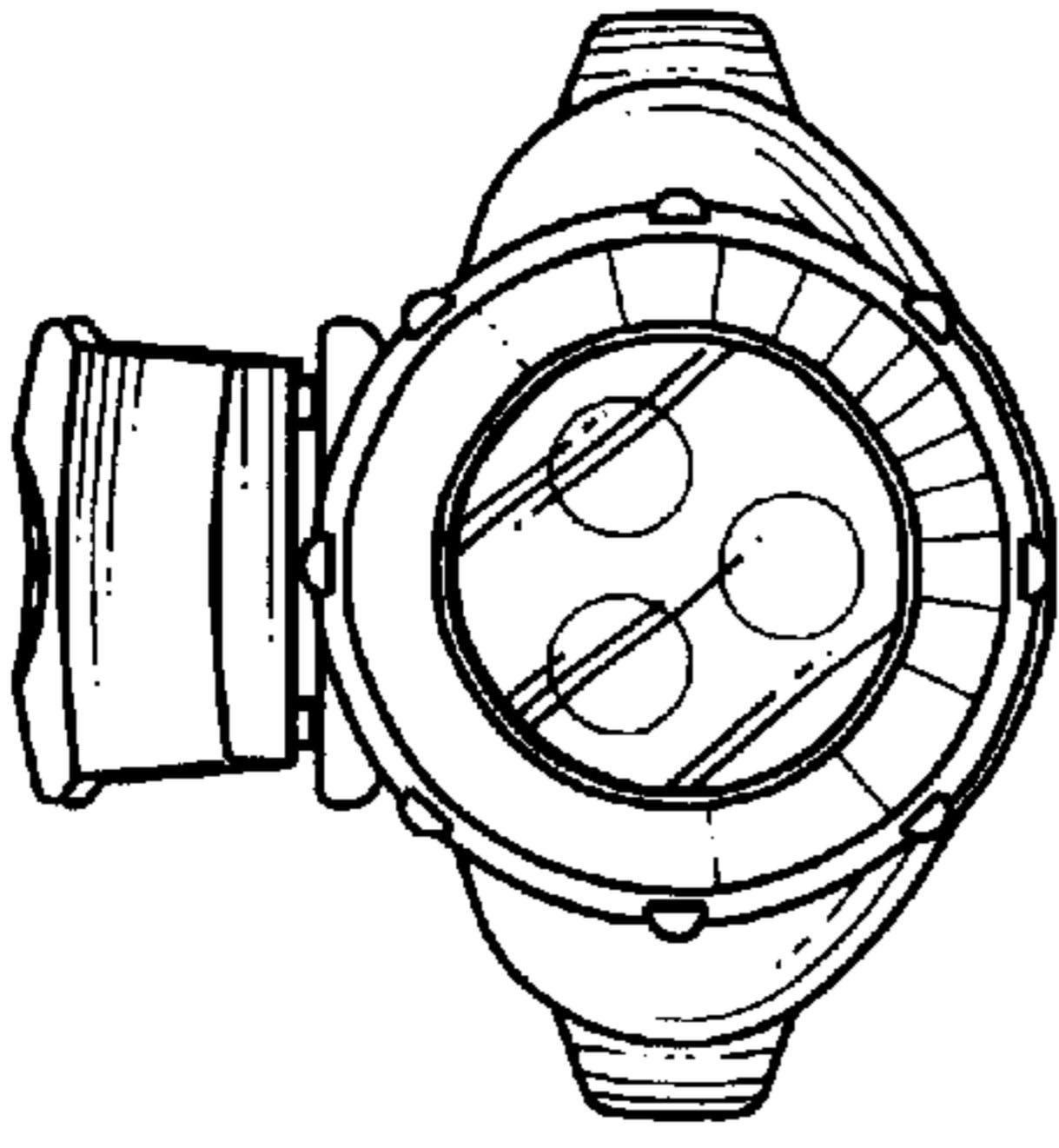


FIG. 4

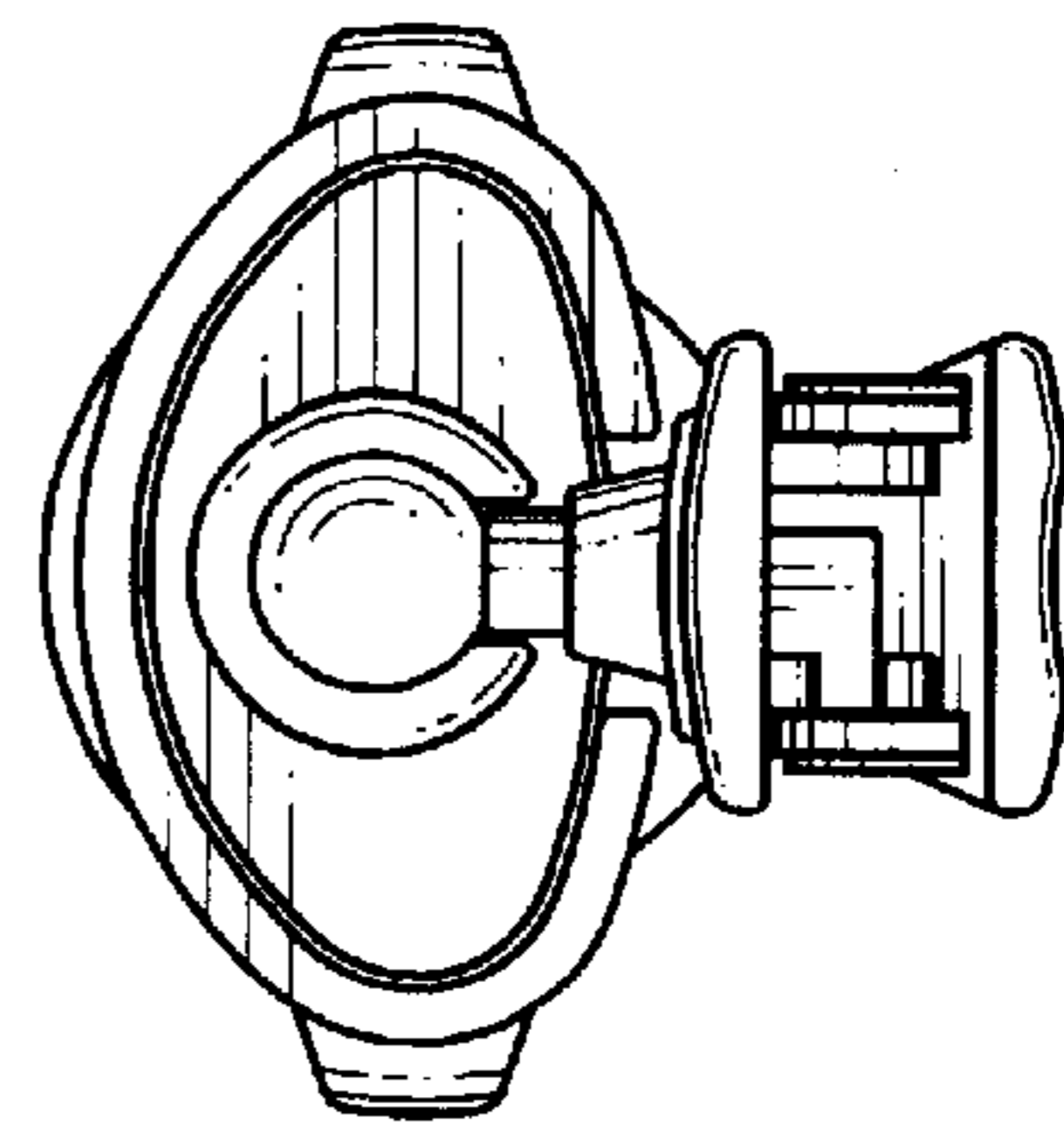


FIG. 5