



US00D463049S

(12) **United States Design Patent**
Yang

(10) **Patent No.:** **US D463,049 S**

(45) **Date of Patent:** **** Sep. 17, 2002**

(54) **VEHICLE TAIL LIGHT ASSEMBLY**

D451,616 S * 12/2001 Pfeiffer D26/28

(76) Inventor: **Milton Yang**, 427 Sec. 2, Wenhau Road, Panchiao, Taipai (TW)

* cited by examiner

(**) Term: **14 Years**

Primary Examiner—Marcus A. Jackson
(74) *Attorney, Agent, or Firm*—Stetina Brunda Garred & Brucker

(21) Appl. No.: **29/151,515**

(57) **CLAIM**

(22) Filed: **Nov. 5, 2001**

The ornamental design for a vehicle tail light assembly, as shown and described.

(51) **LOC (7) Cl.** **26-04**

(52) **U.S. Cl.** **D26/28**

(58) **Field of Search** D26/28-36, 120, D26/122; 362/61, 80, 81, 82, 83, 83.4, 267, 269, 275

DESCRIPTION

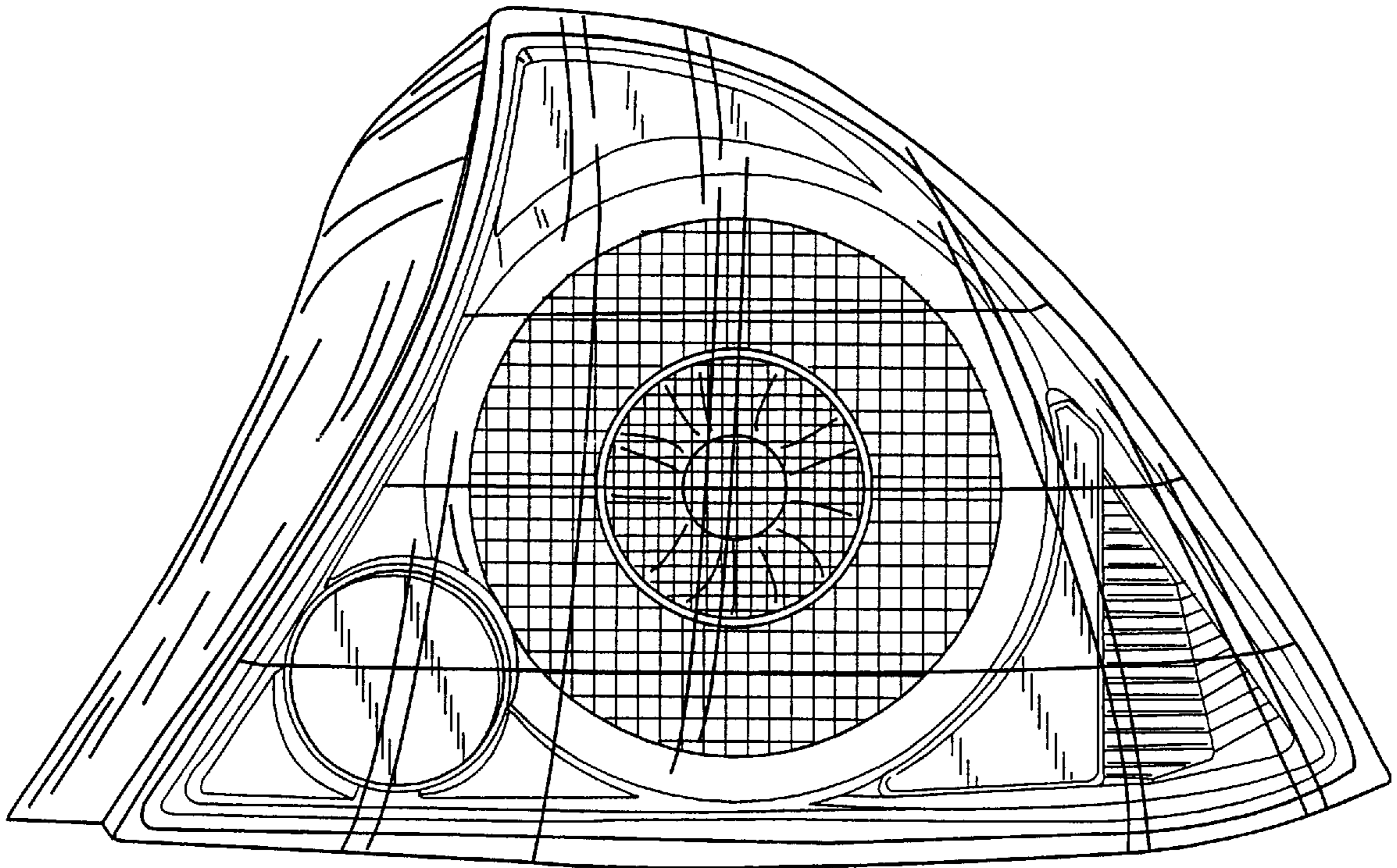
(56) **References Cited**

U.S. PATENT DOCUMENTS

- D449,123 S * 10/2001 Horowitz D26/28
- D450,142 S * 11/2001 Horowitz D26/28
- D450,403 S * 11/2001 Sacco et al. D26/28

FIG. 1 is a front elevational view of the vehicle tail light assembly of the present invention showing my new design; FIG. 2 is a top plan view thereof; FIG. 3 is a right side elevational view thereof; and, FIG. 4 is a left side elevational view thereof. No claim is made for the rear elevational view thereof.

1 Claim, 2 Drawing Sheets



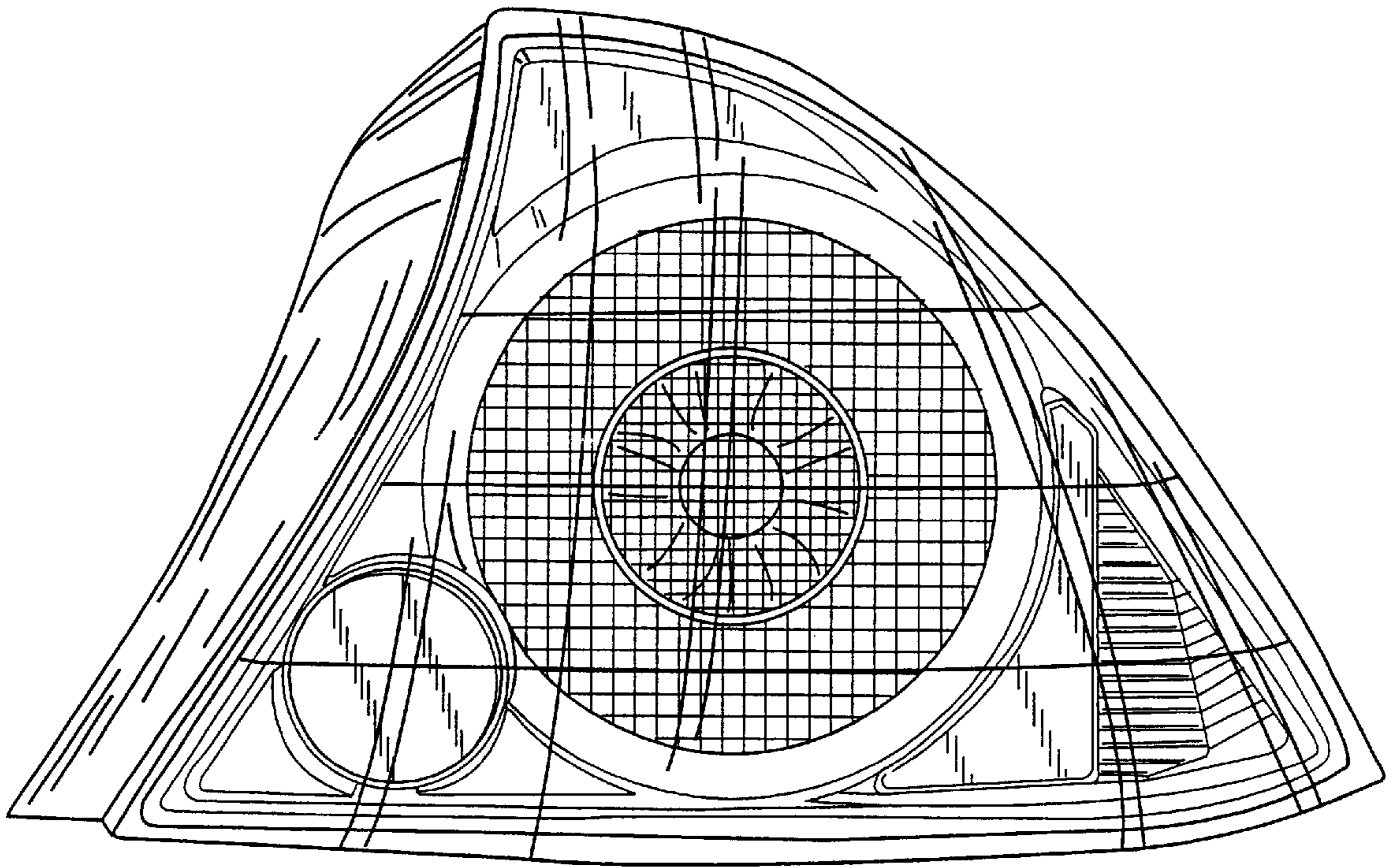


Fig. 1

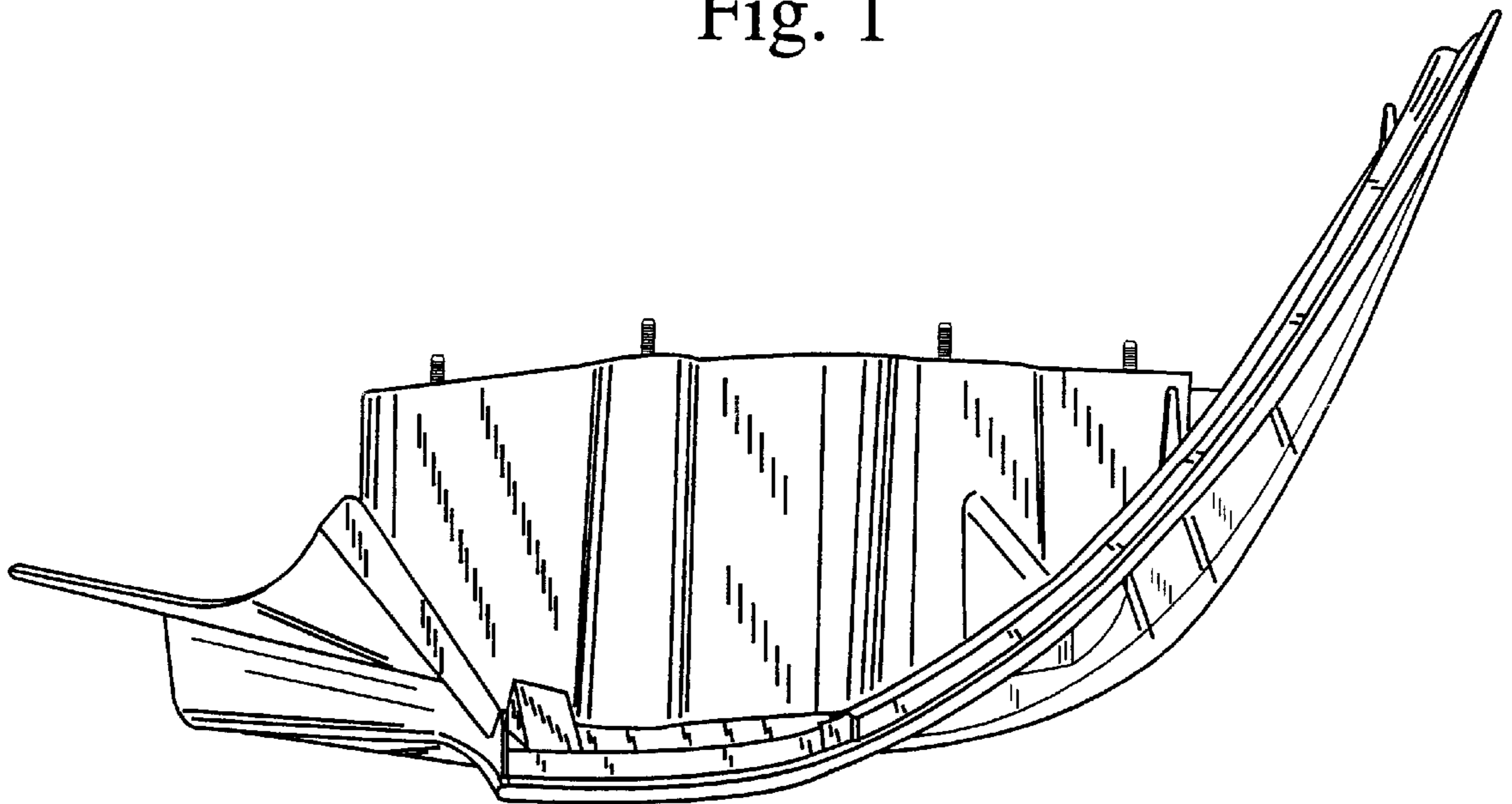


Fig. 2

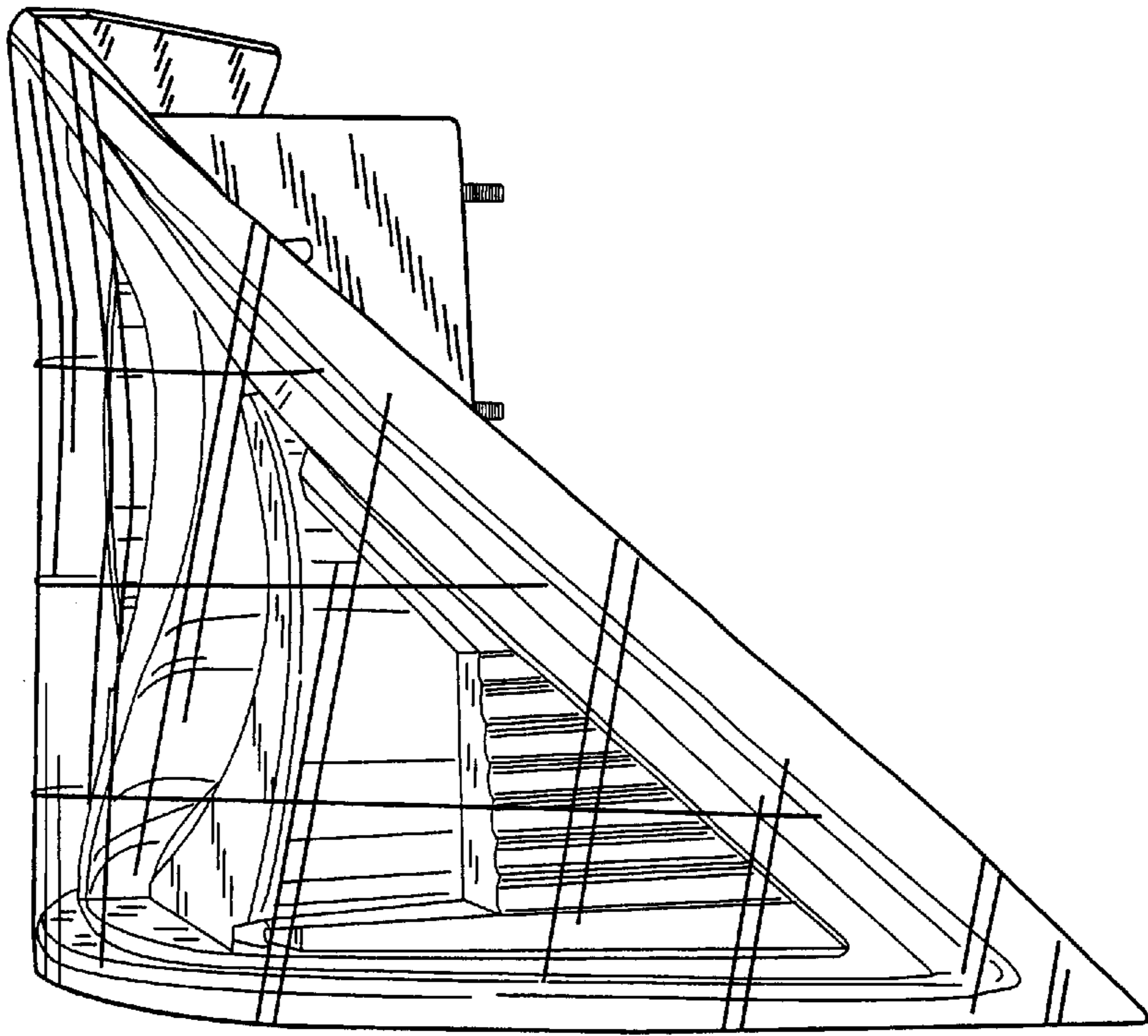


Fig. 3

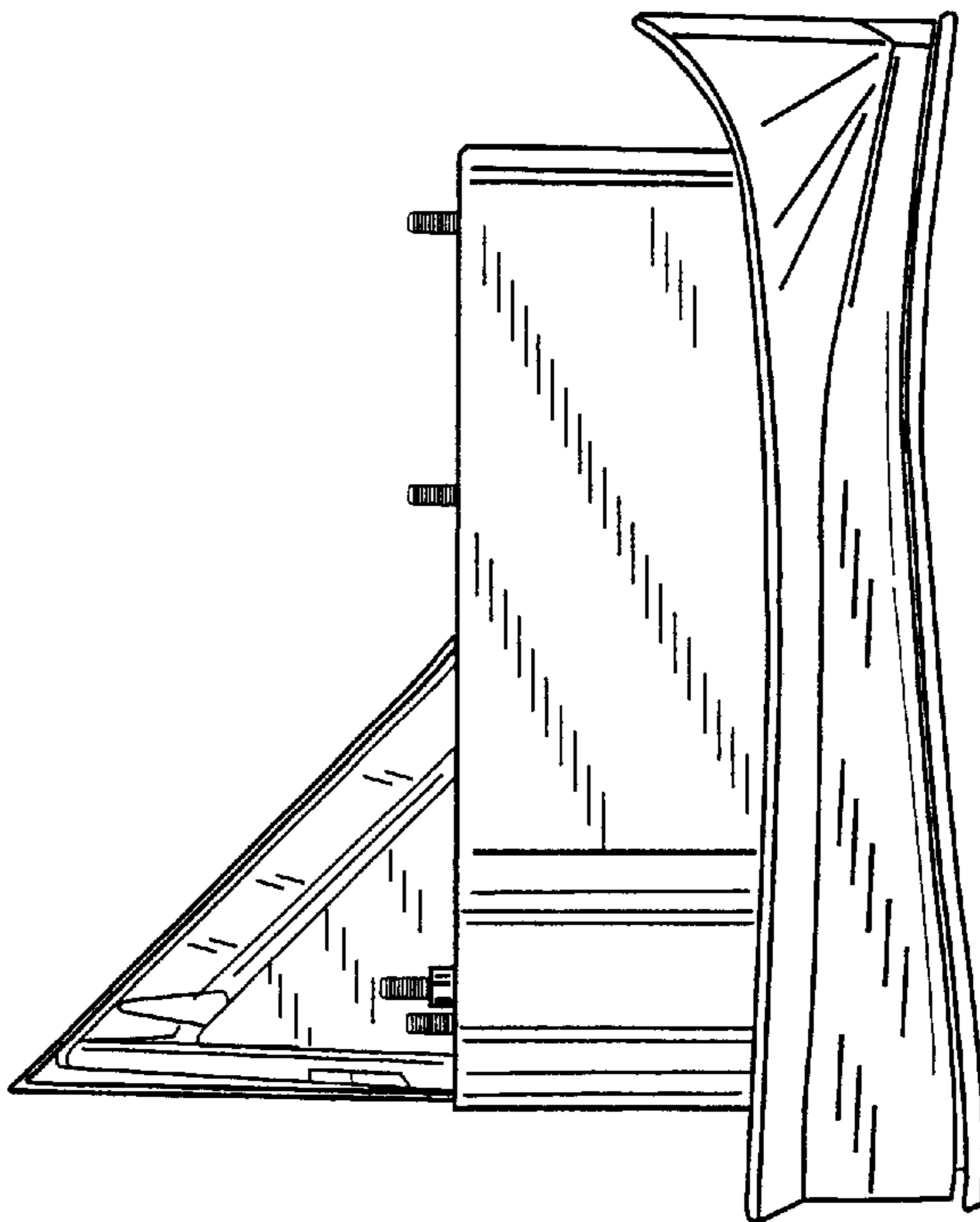


Fig. 4