

US00D463048S

(12) **United States Design Patent**
Scott et al.

(10) **Patent No.:** **US D463,048 S**

(45) **Date of Patent:** **** Sep. 17, 2002**

- (54) **BILLET LIGHTS**
- (75) Inventors: **Ronald P. Scott; Lyle P. Scott**, both of Whittier, CA (US)
- (73) Assignee: **NC Dynamics**, Long Beach, CA (US)
- (**) Term: **14 Years**
- (21) Appl. No.: **29/125,843**
- (22) Filed: **Jun. 30, 2000**
- (51) **LOC (7) Cl.** **26-04**
- (52) **U.S. Cl.** **D26/28**
- (58) **Field of Search** D26/28-36, 60-66; 362/147, 269, 275, 404, 418, 419, 427, 428

- D424,724 S 5/2000 Hussaini et al.
- D427,696 S 7/2000 Scott et al.
- D440,330 S 4/2001 Scott et al.

* cited by examiner

Primary Examiner—Marcus A. Jackson
(74) *Attorney, Agent, or Firm*—Lyon & Lyon LLP

(57) **CLAIM**

The ornamental design for billet lights, as shown and described.

DESCRIPTION

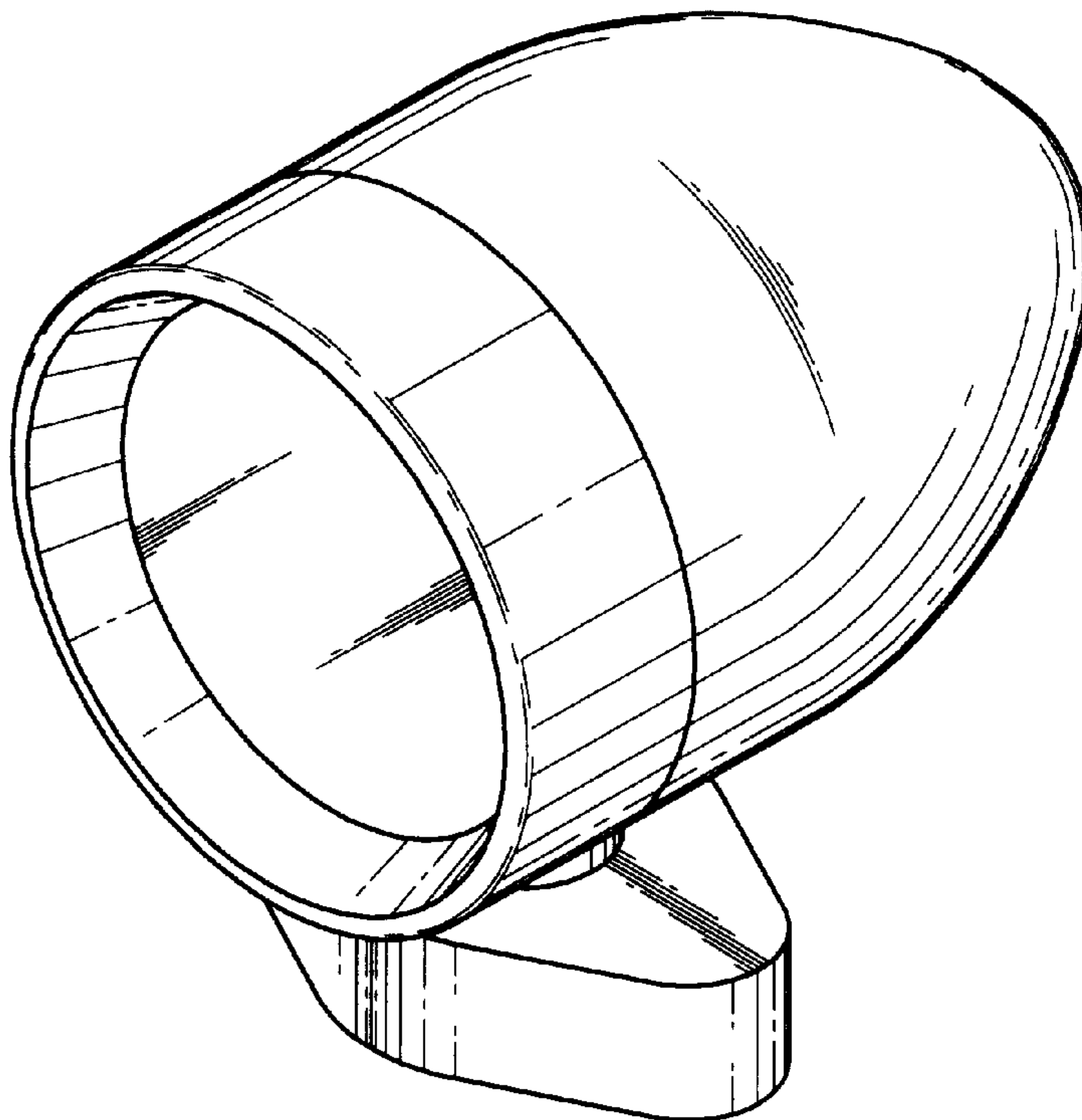
FIG. 1 is a perspective view of a first embodiment of the new design,
 FIG. 2 is a top view thereof,
 FIG. 3 is a front view thereof,
 FIG. 4 is a bottom view thereof,
 FIG. 5 is a rear view thereof,
 FIG. 6 is a perspective view of a second smaller embodiment of the new design,
 FIG. 7 is a top view thereof,
 FIG. 8 is a front view thereof,
 FIG. 9 is a bottom view thereof,
 FIG. 10 is a rear view thereof,
 FIG. 11 is a perspective view of a third embodiment of the new design,
 FIG. 12 is a top view thereof,
 FIG. 13 is a front view thereof,
 FIG. 14 is a bottom view thereof; and,
 FIG. 15 is a rear view thereof.

(56) **References Cited**

U.S. PATENT DOCUMENTS

D111,577 S	*	10/1938	Arenberg	D26/60
D112,389 S		11/1938	Toppin		
D112,957 S		1/1939	Ludwig		
D113,850 S		3/1939	Ludwig		
D117,473 S		11/1939	Grode		
2,192,114 A		2/1940	Walker		
2,212,048 A		8/1940	Russell		
D124,540 S		1/1941	Nebenzahl et al.		
4,212,050 A		7/1980	Trenkel		
D276,468 S		11/1984	Preisler et al.		
D315,610 S		3/1991	Joosten et al.		
D315,964 S		4/1991	Joosten et al.		
D400,997 S		11/1998	Cheun et al.		

1 Claim, 6 Drawing Sheets



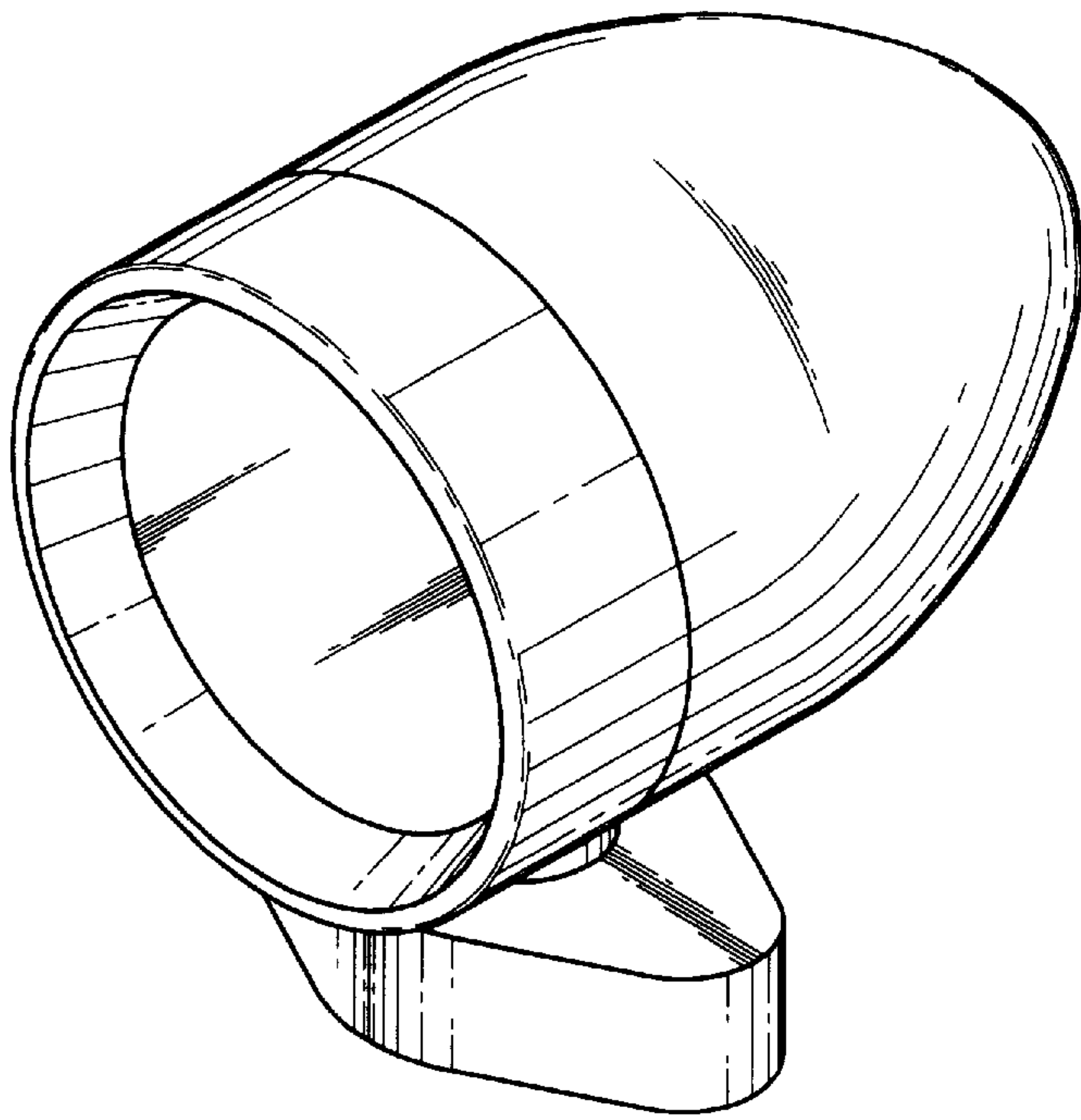


FIG. 1

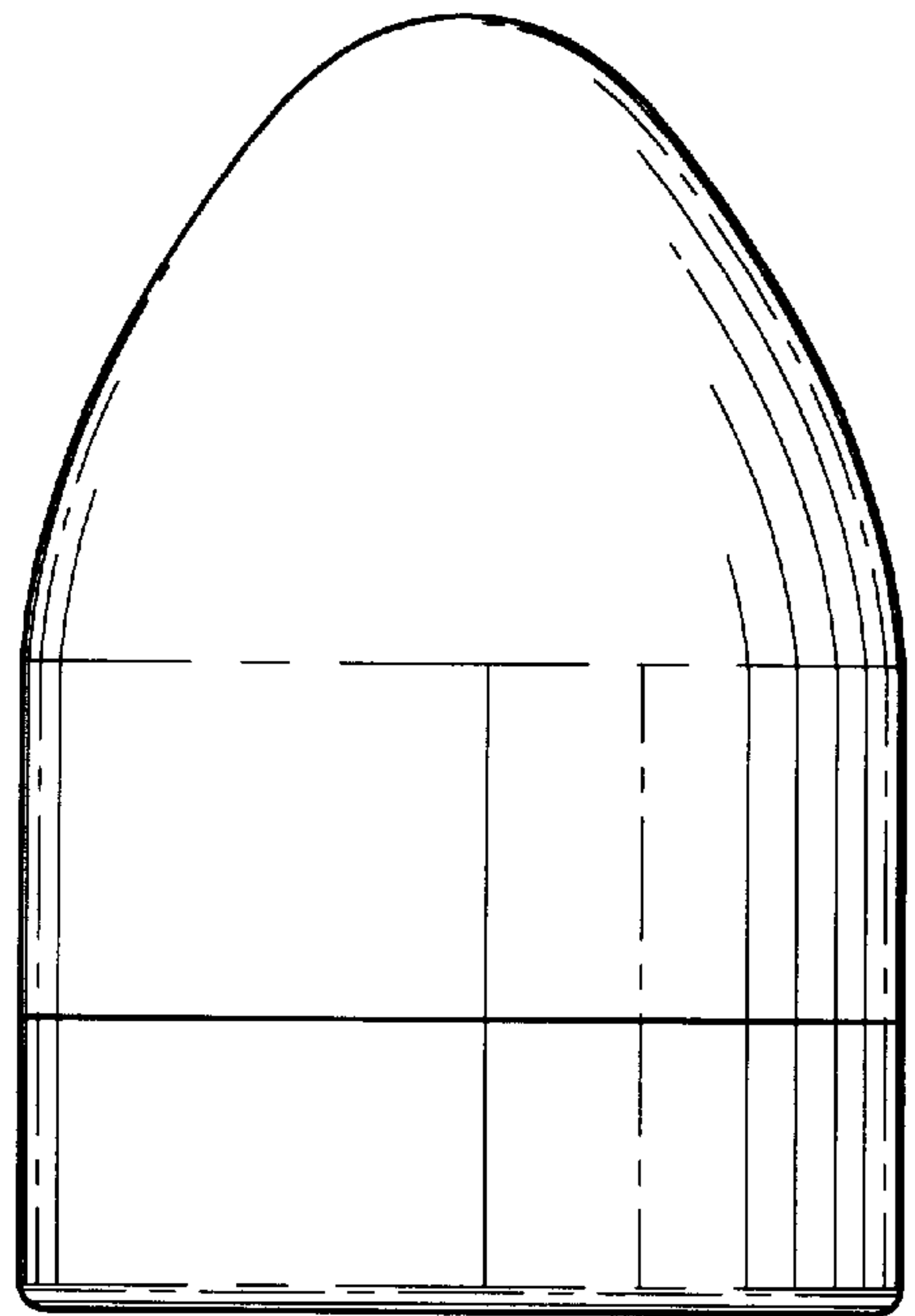


FIG. 2

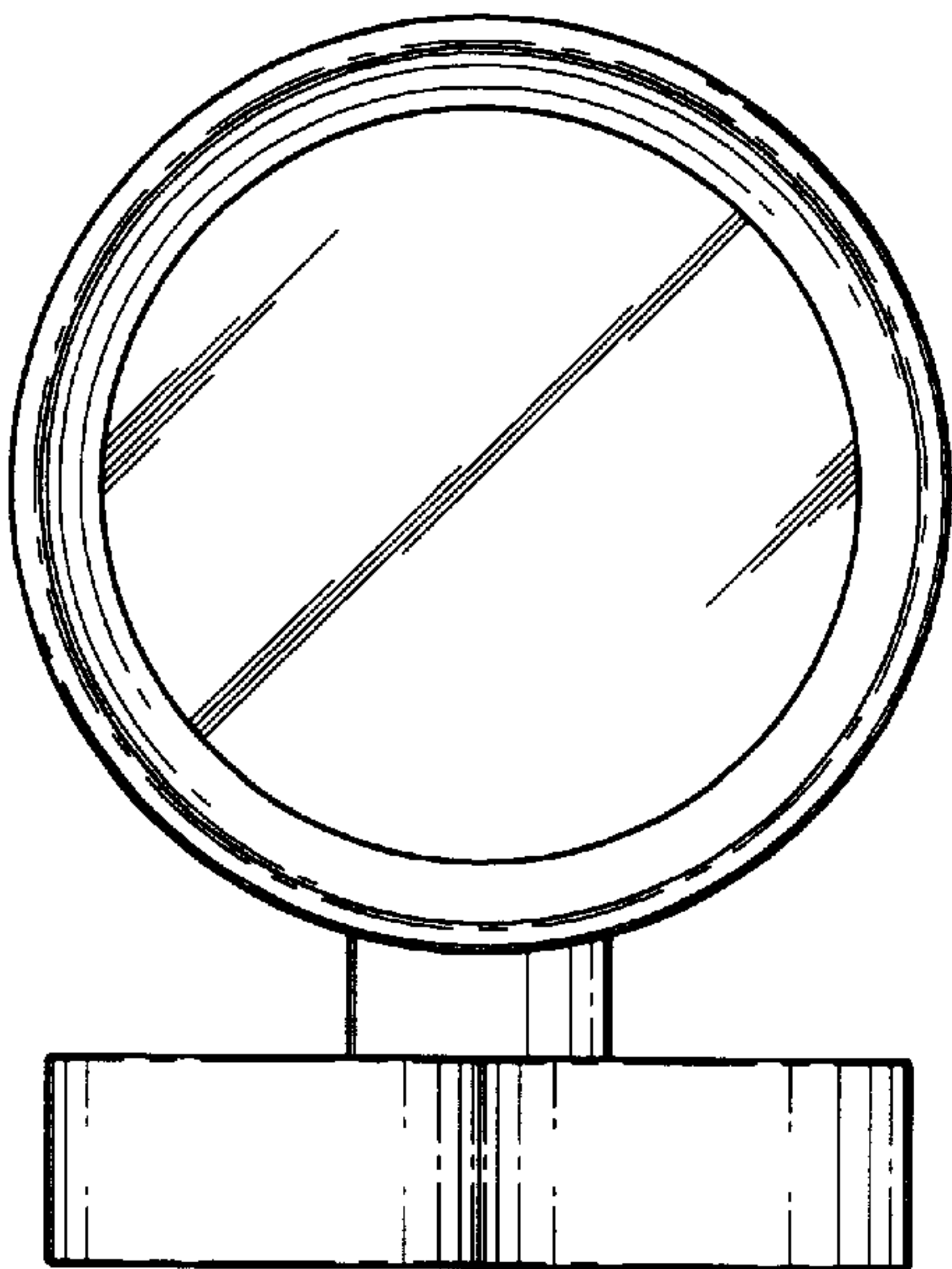


FIG. 3

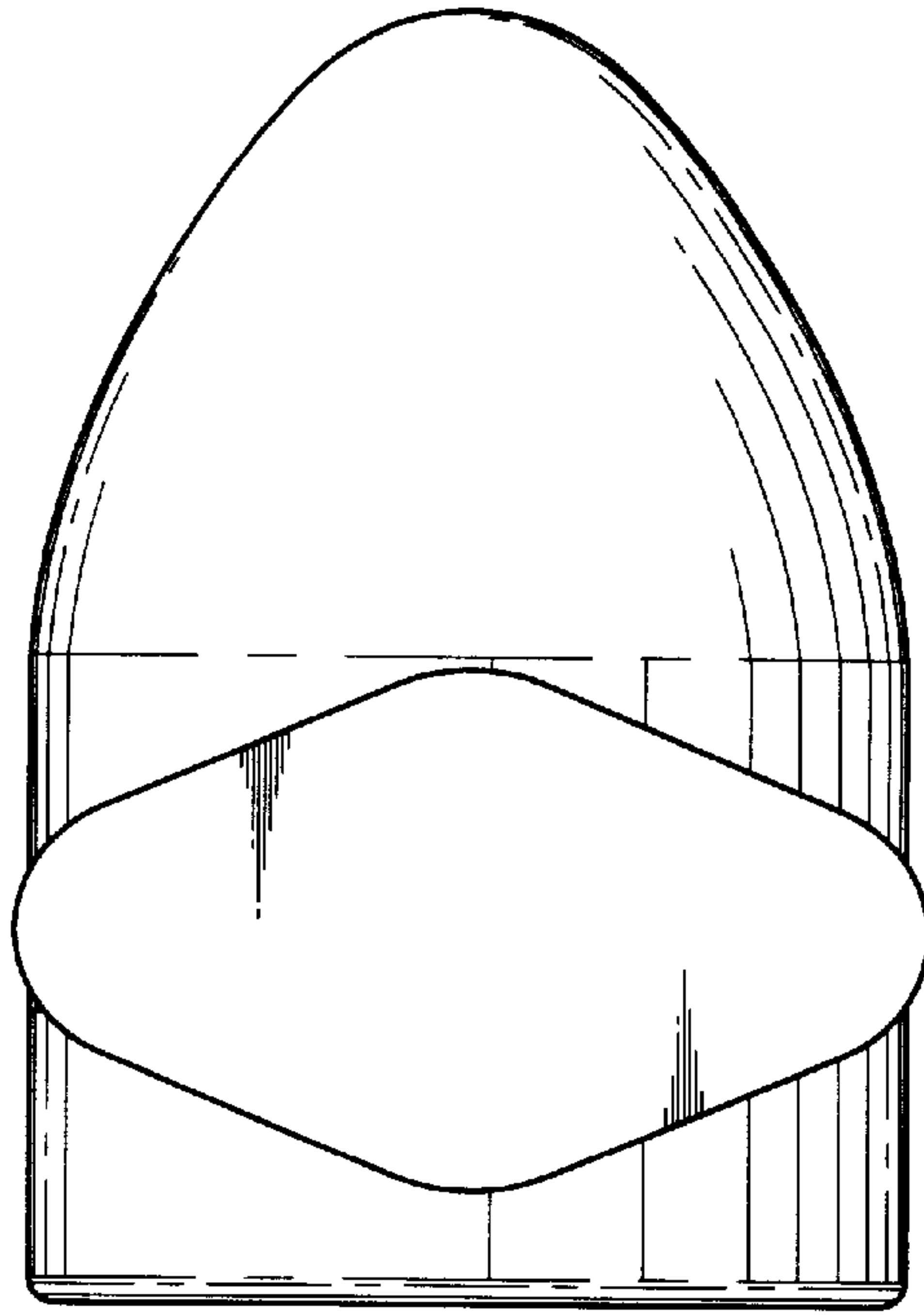


FIG. 4

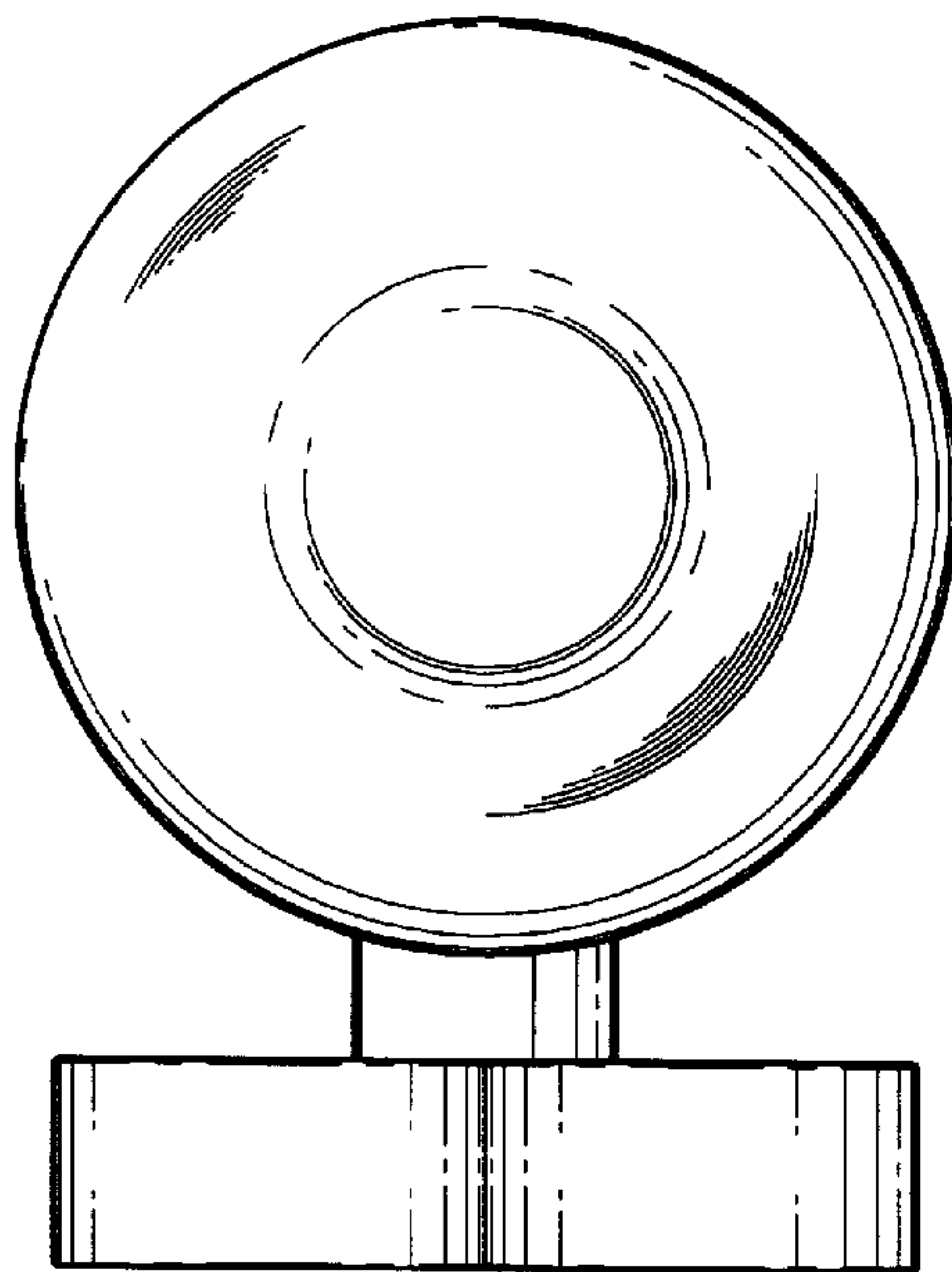


FIG. 5

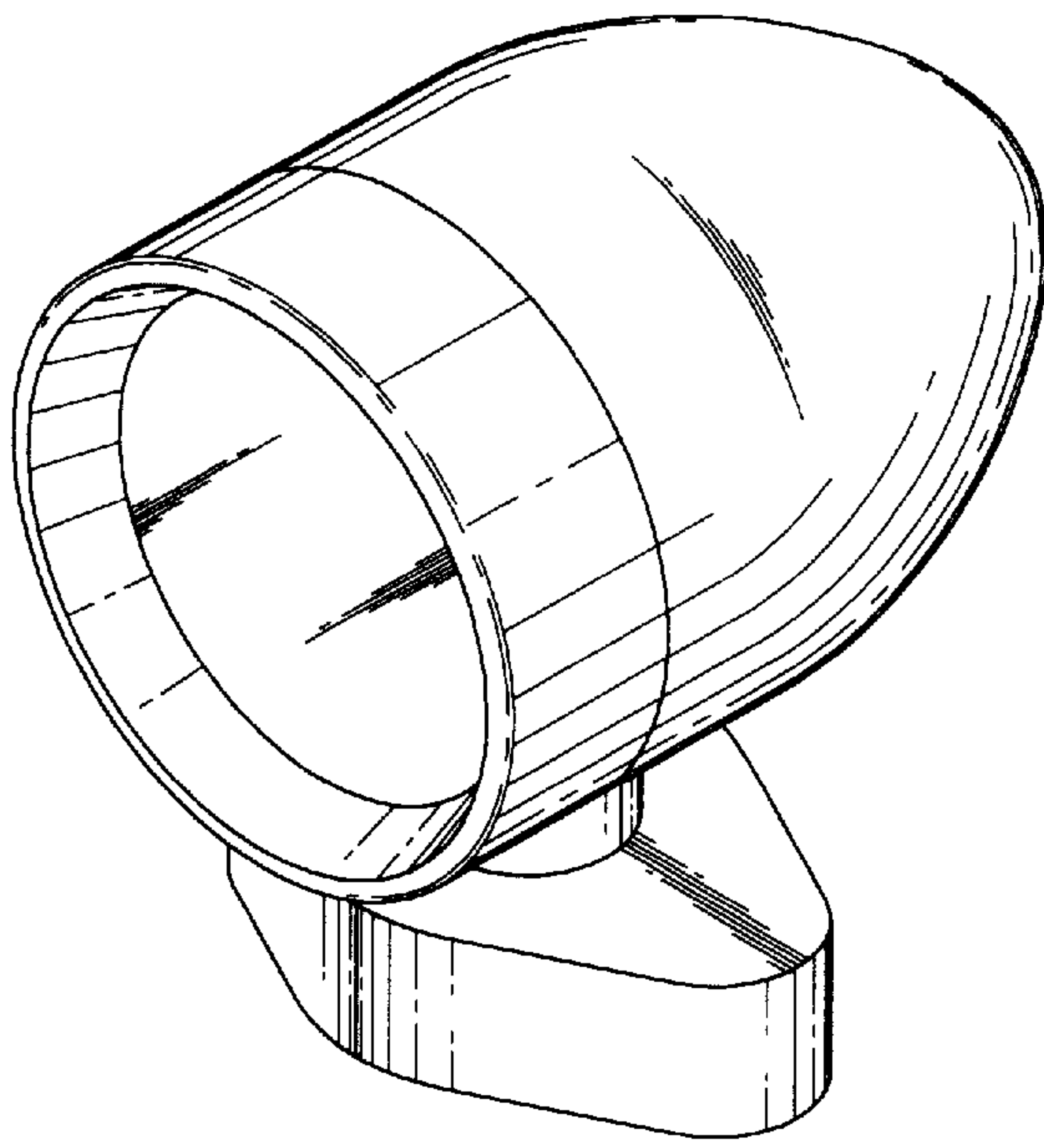


FIG. 6

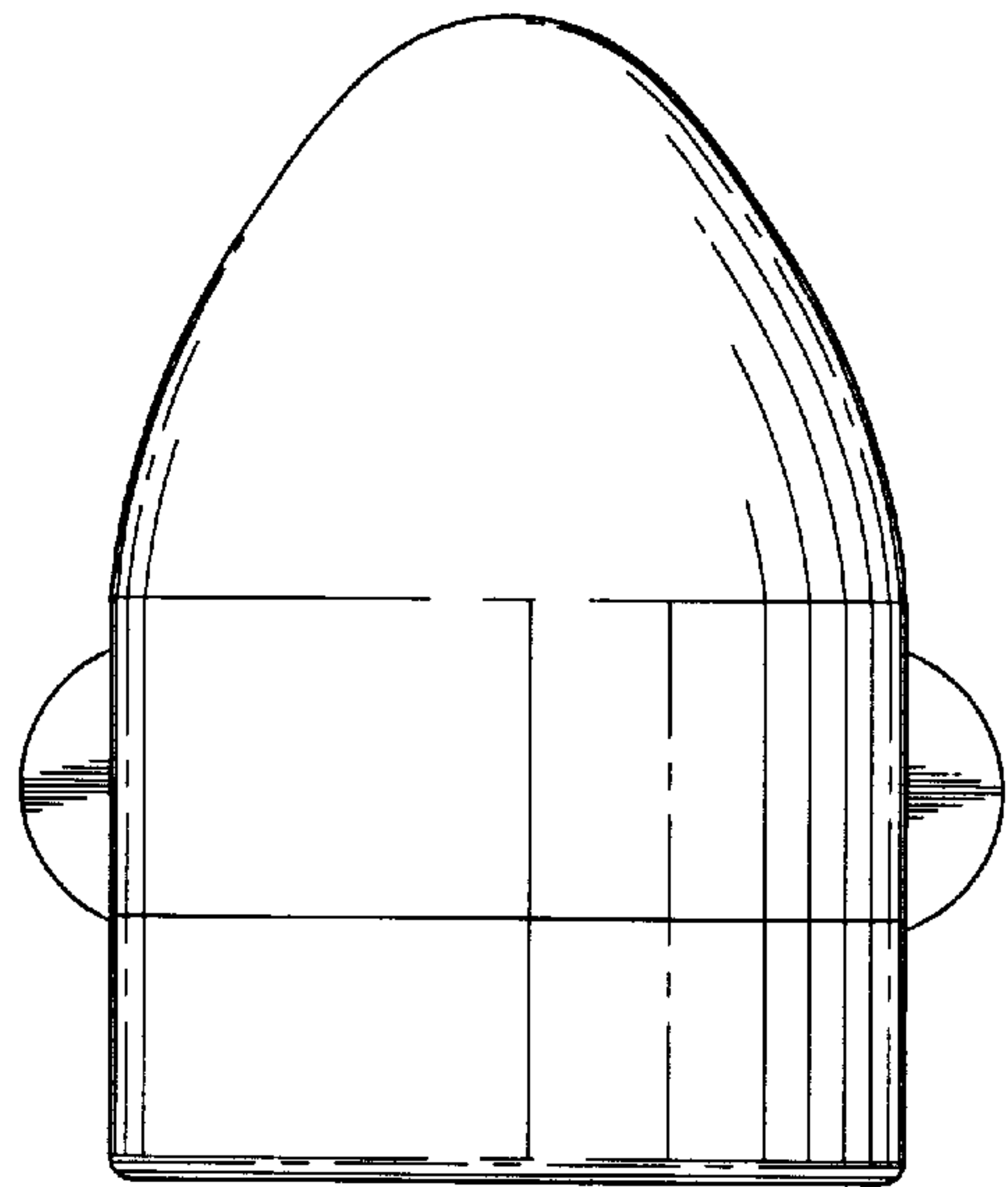


FIG. 7

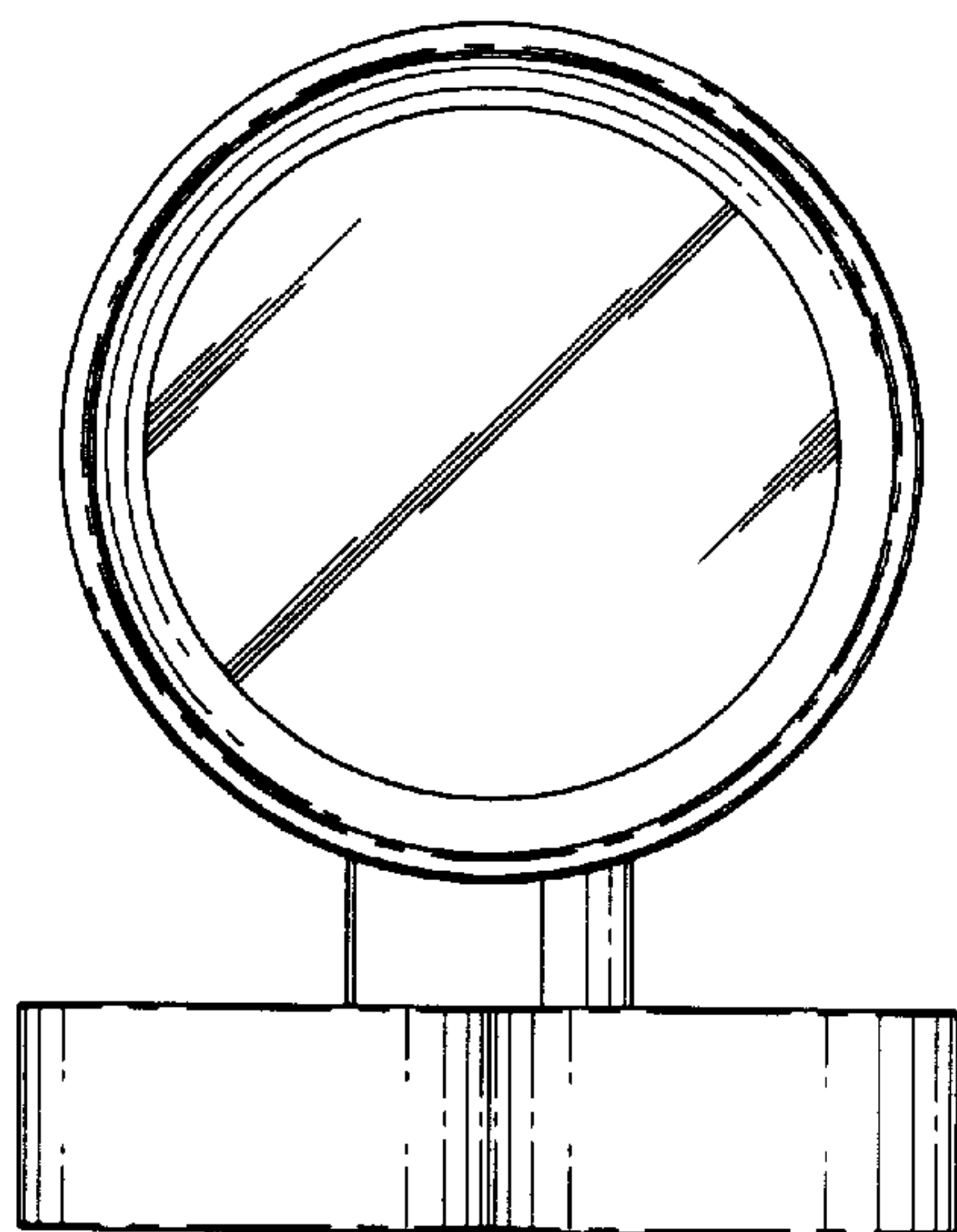


FIG. 8

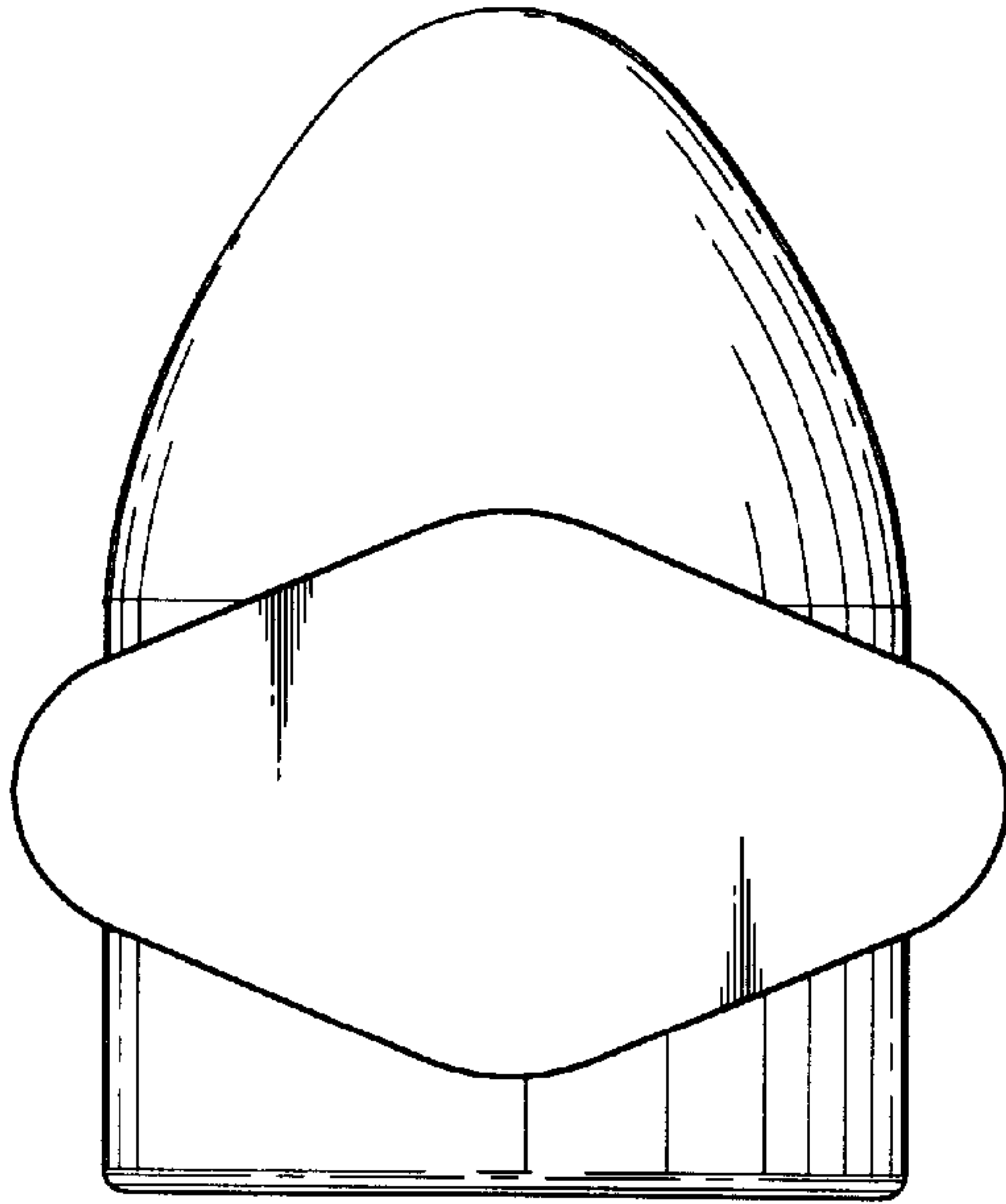


FIG. 9

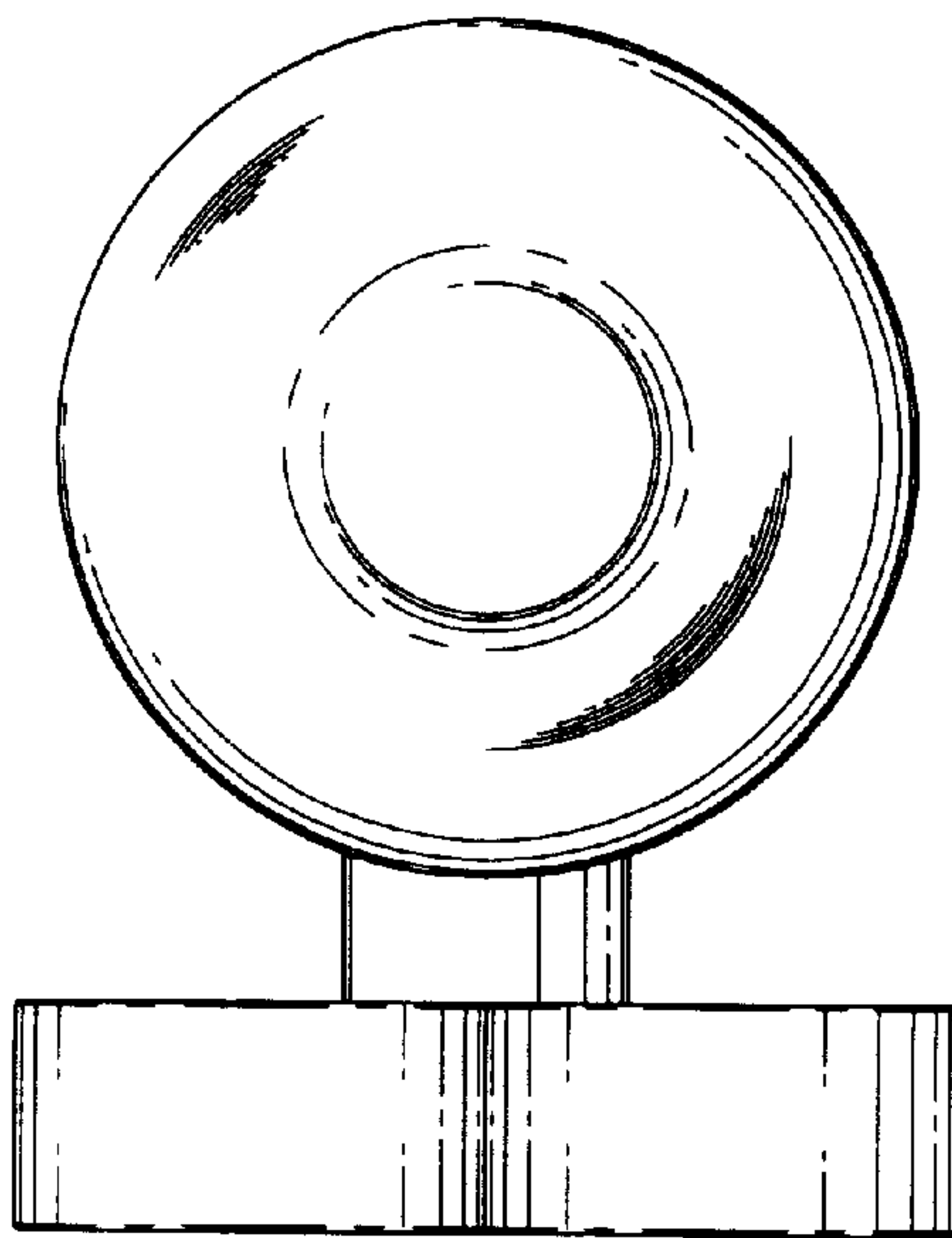


FIG. 10

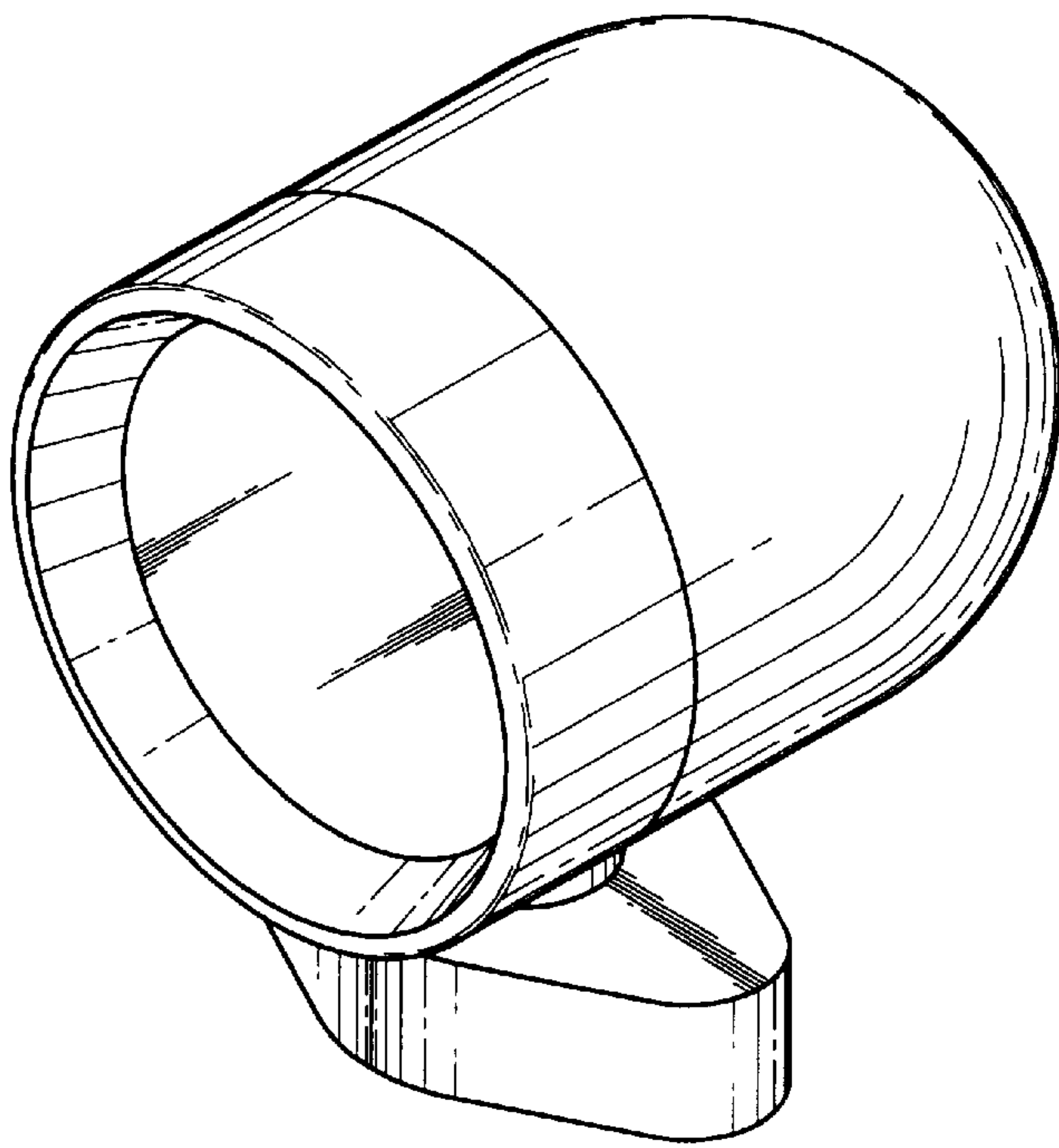


FIG. 11

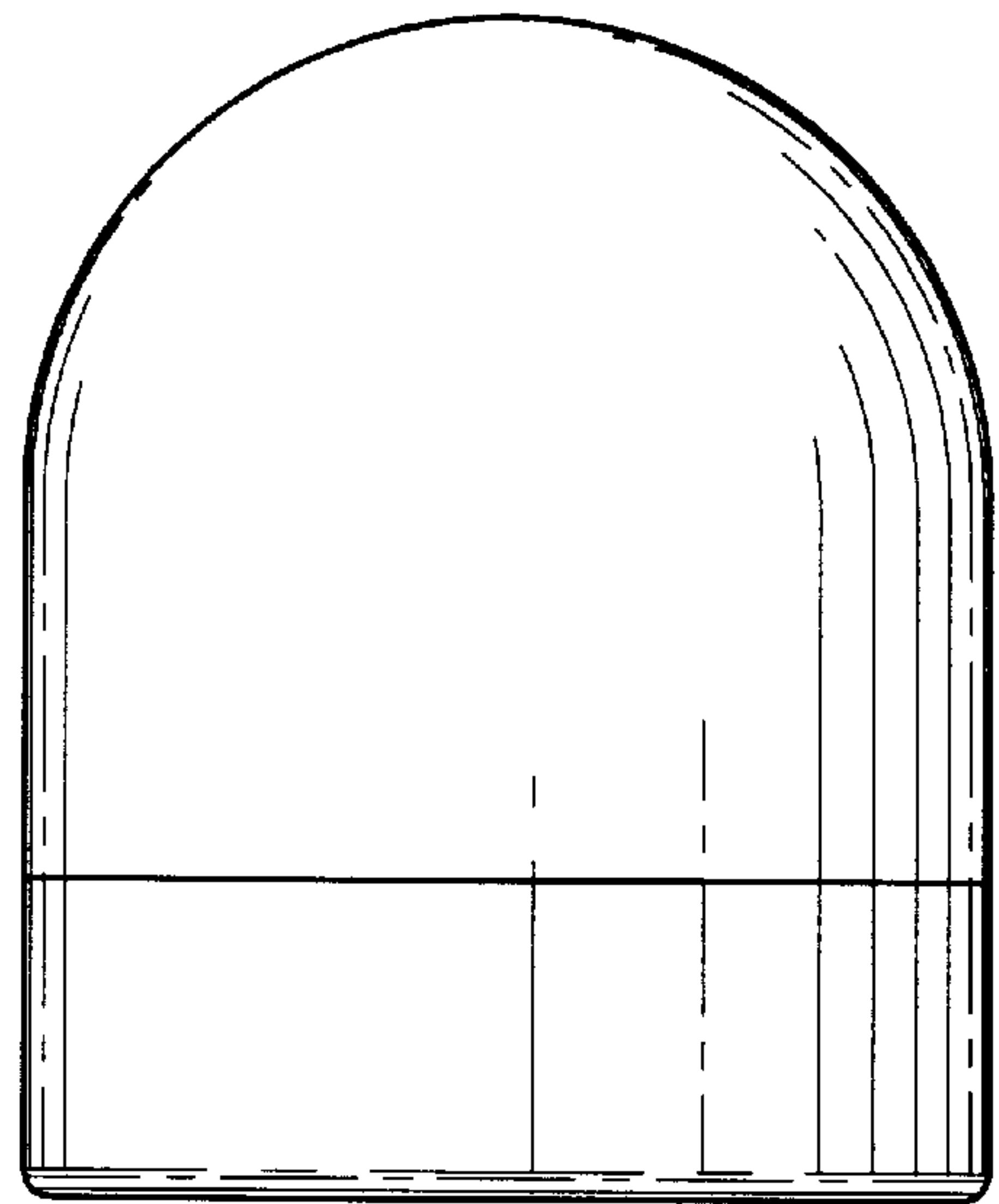


FIG. 12

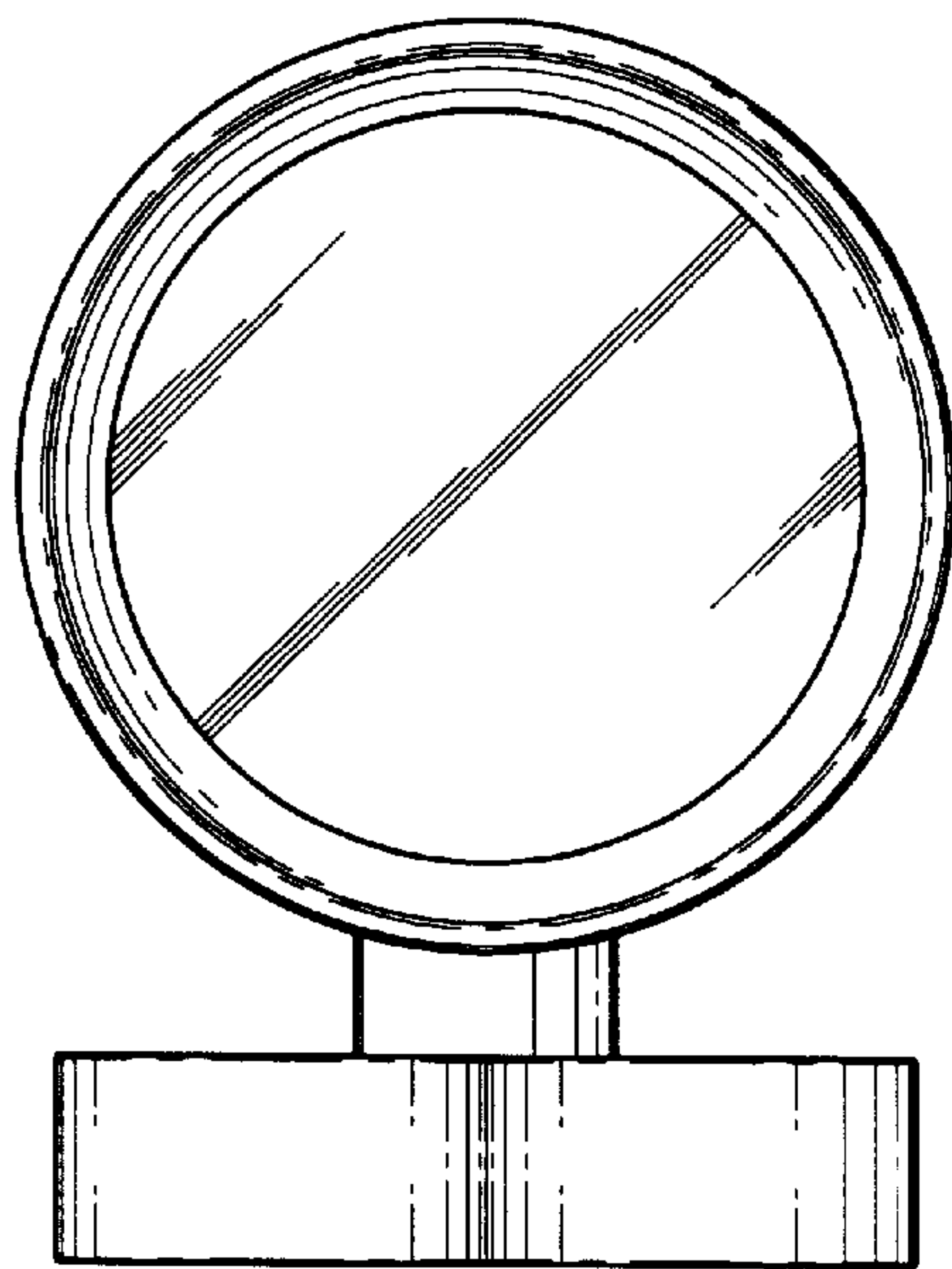


FIG. 13

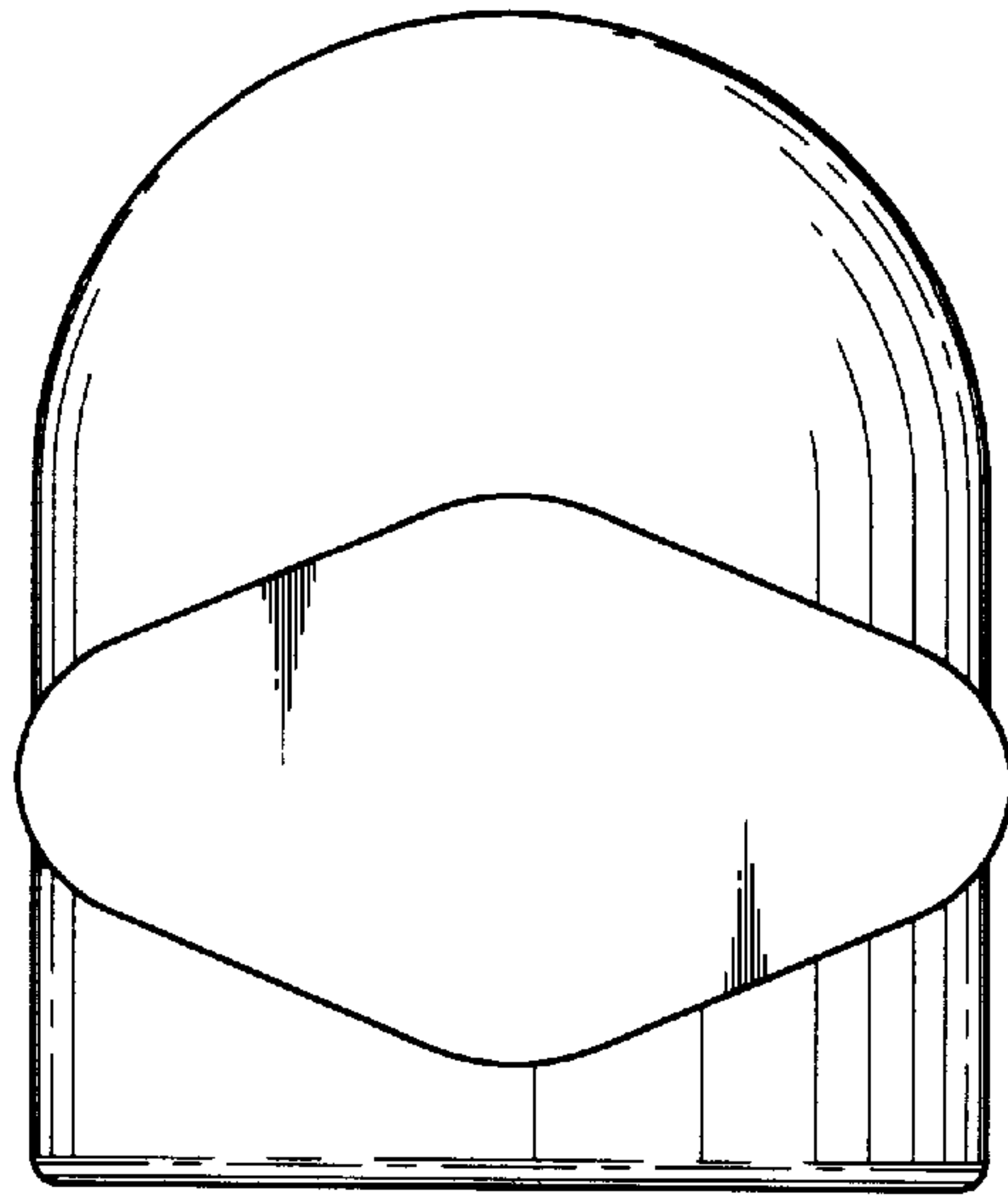


FIG. 14

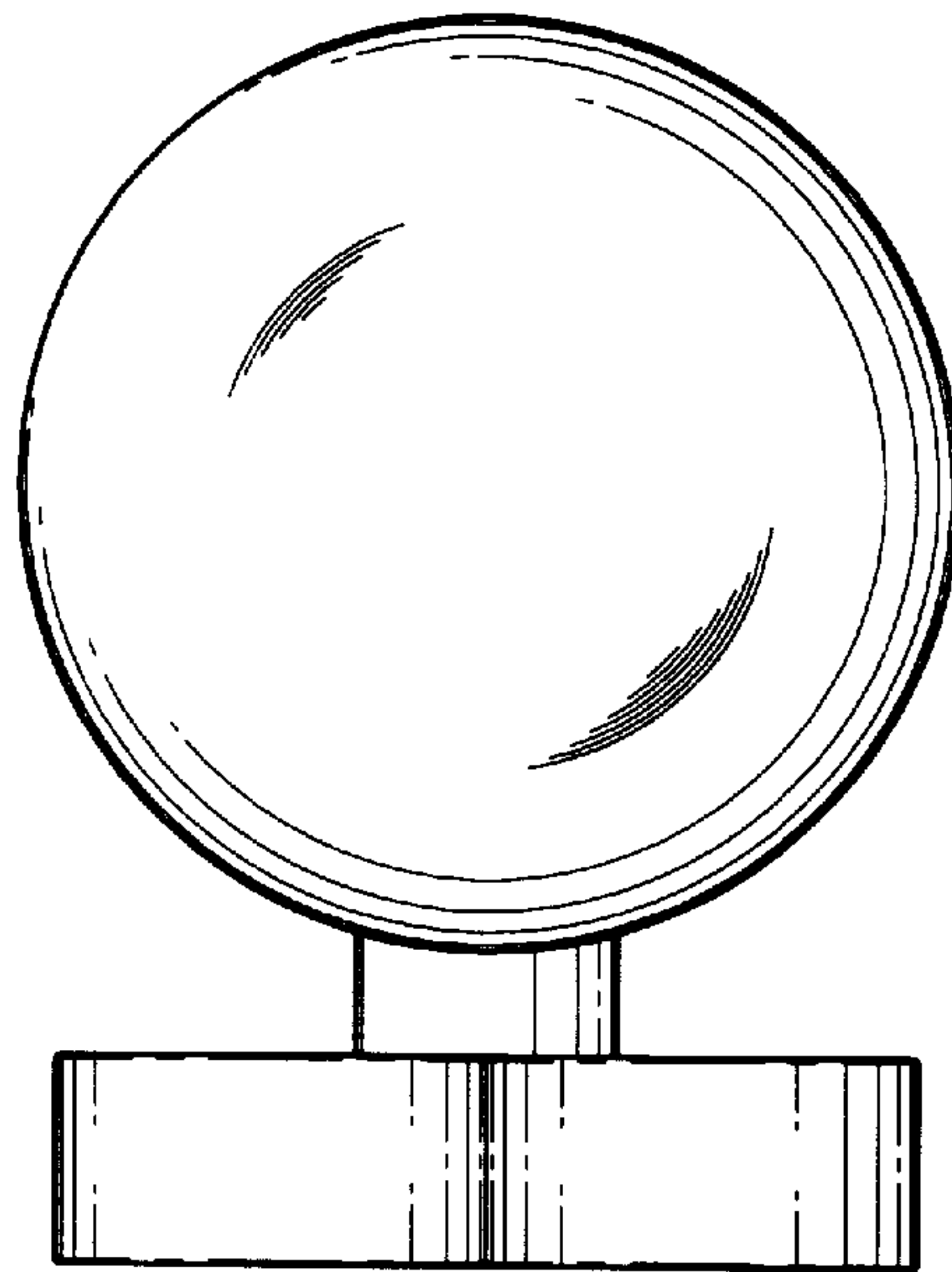


FIG. 15