



US00D463044S

(12) **United States Design Patent**
Erwin

(10) **Patent No.:** **US D463,044 S**

(45) **Date of Patent:** **** Sep. 17, 2002**

(54) **DECK POST**

5,876,021 A 3/1999 Spence et al.
D422,715 S 4/2000 Chaney et al.

(75) Inventor: **Ronald D. Erwin**, Fayetteville, GA
(US)

OTHER PUBLICATIONS

(73) Assignee: **Erwin Industries, Inc.**, Peachtree City,
GA (US)

World Fence News, Apr., 1999, Quality Fencing and Supply,
LLC, Colonial and Raised Panel Porch Posts.

(**) Term: **14 Years**

* cited by examiner

(21) Appl. No.: **29/148,294**

Primary Examiner—Doris Clark

(22) Filed: **Sep. 18, 2001**

(74) *Attorney, Agent, or Firm*—Gardner Groff & Mehrman,
P.C.

(51) **LOC (7) Cl.** **25-01**

(52) **U.S. Cl.** **D25/126**

(58) **Field of Search** D25/126; 256/59,
256/65, 19, 22; 52/720.1, 720.2

(57) **CLAIM**

I claim the ornamental design for a deck post, as shown and
described.

DESCRIPTION

(56) **References Cited**

FIG. 1 is a perspective illustration of a deck post according
to the invention.

U.S. PATENT DOCUMENTS

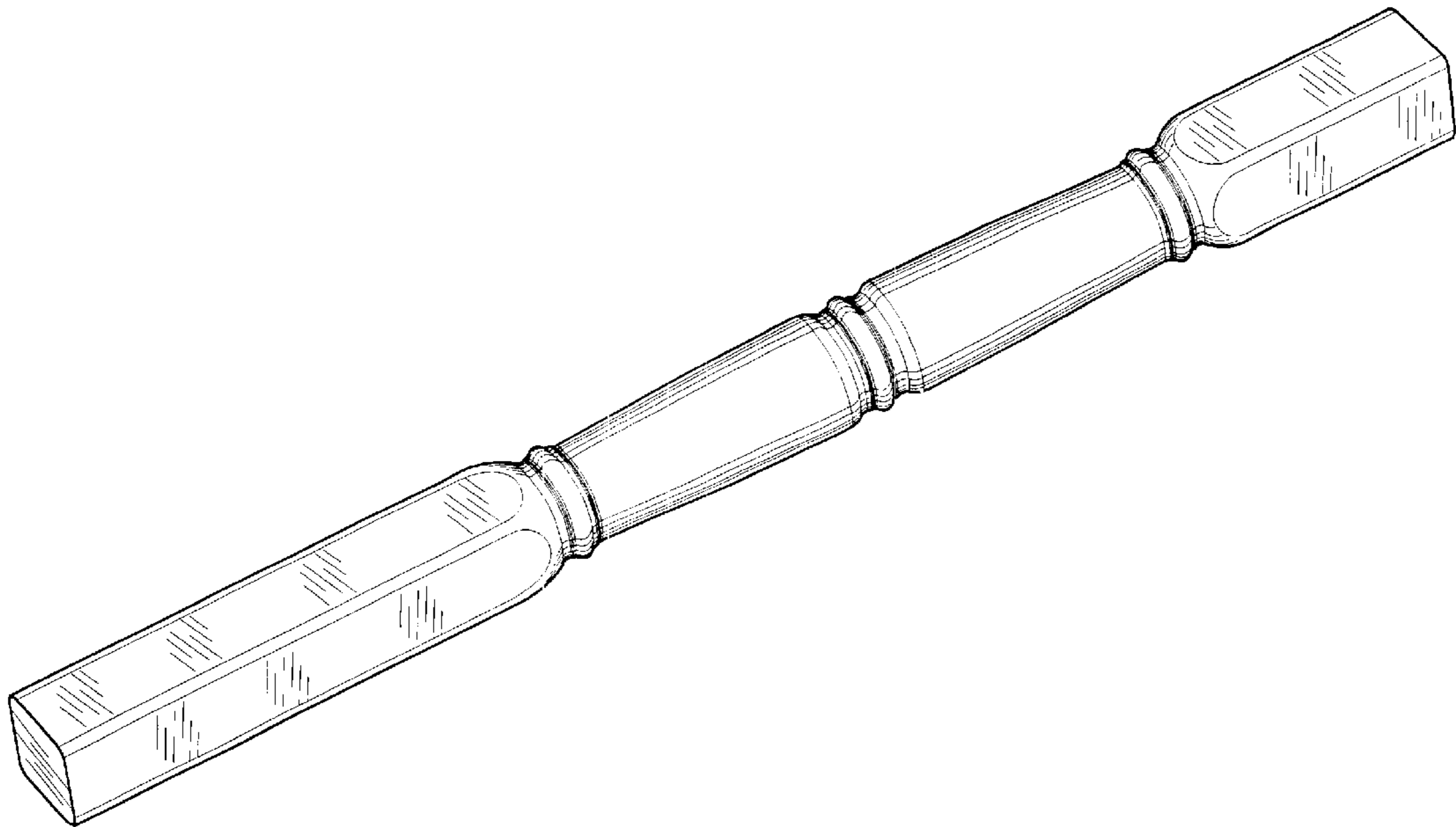
FIG. 2 is a front view of the deck post of FIG. 1 (back, left
and right views are identical to this front view).

349,669 A *	9/1886	Strahan	52/720.2
D308,107 S *	5/1990	Manzo	D25/126
5,149,060 A	9/1992	Boes		
D359,813 S	6/1995	Hoffman et al.		
D373,833 S	9/1996	Lapp, Jr.		
5,617,697 A	4/1997	Erwin		
5,755,431 A	5/1998	Williams		
5,862,642 A	1/1999	Erwin		

FIG. 3 is detailed front view of an upper portion of the deck
post of FIG. 1; and,

FIG. 4 is a detailed front view of a central portion of the deck
post of FIG. 1.

1 Claim, 2 Drawing Sheets



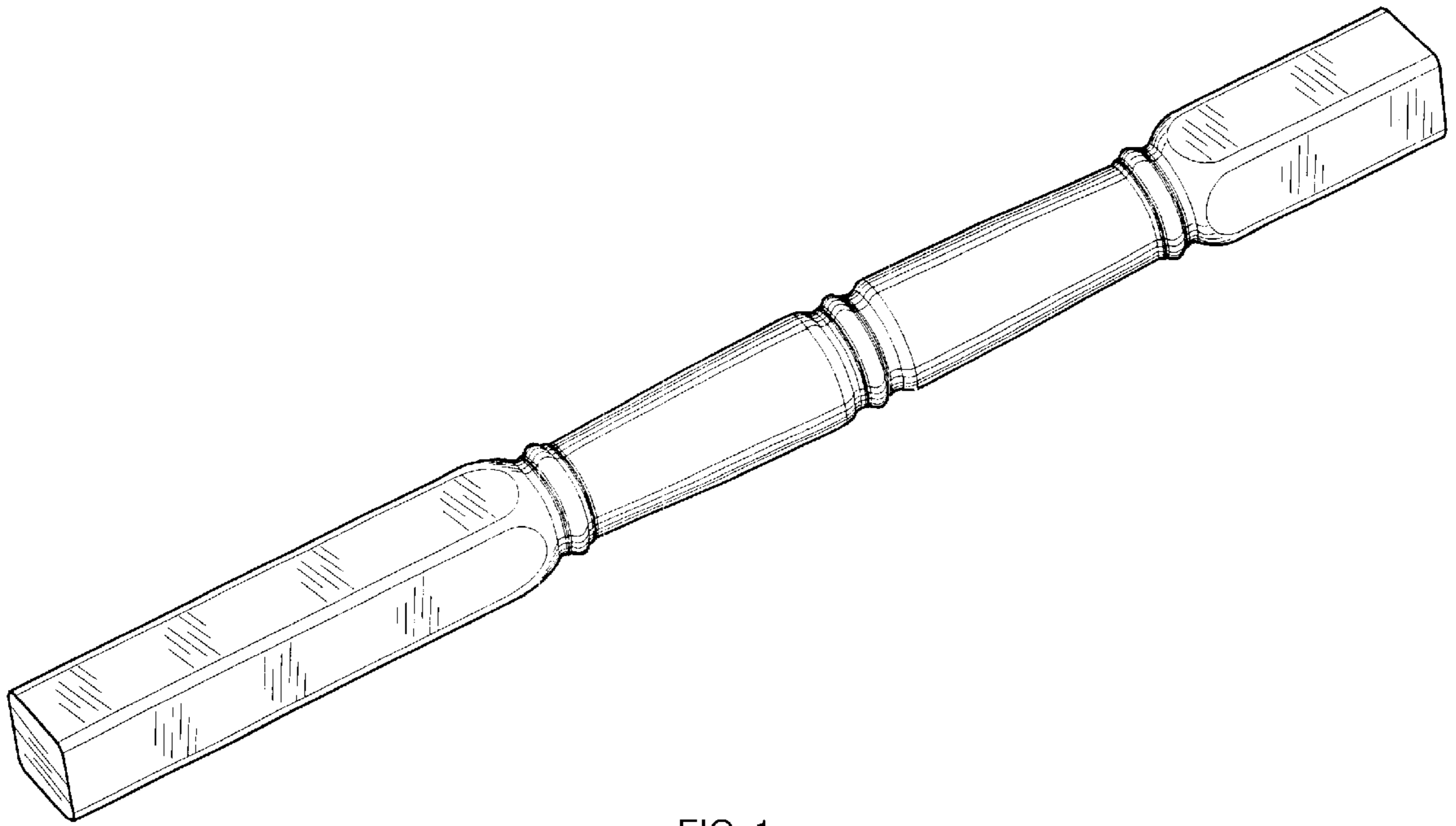


FIG. 1

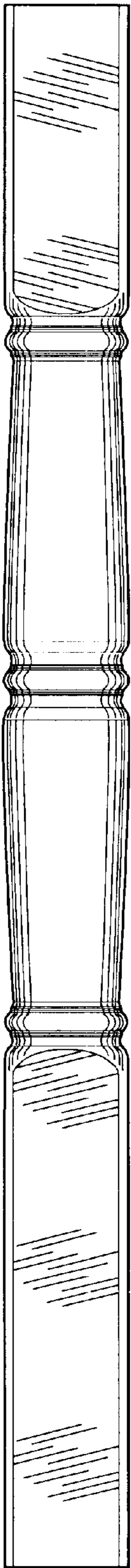


FIG. 2

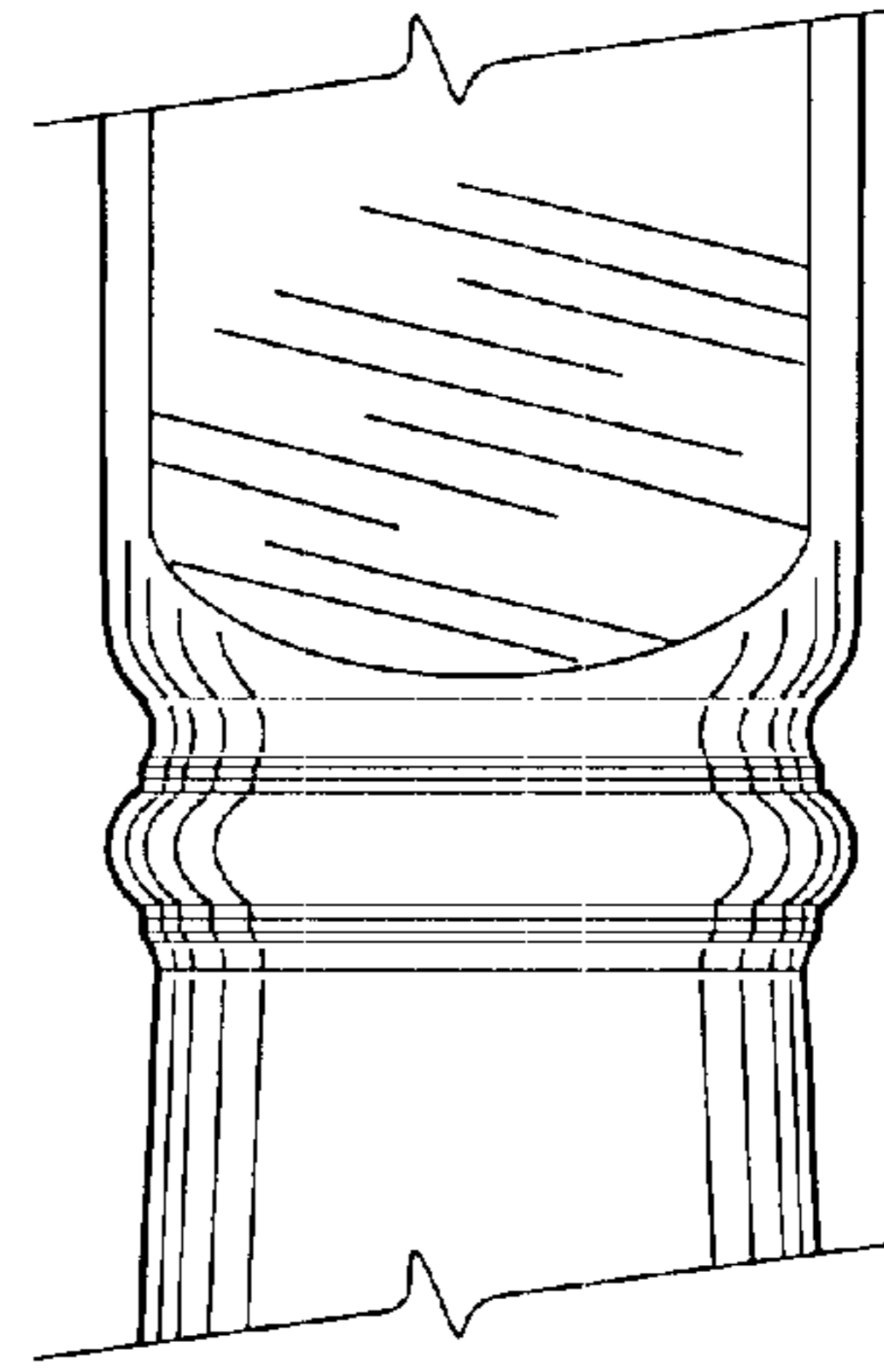


FIG. 3

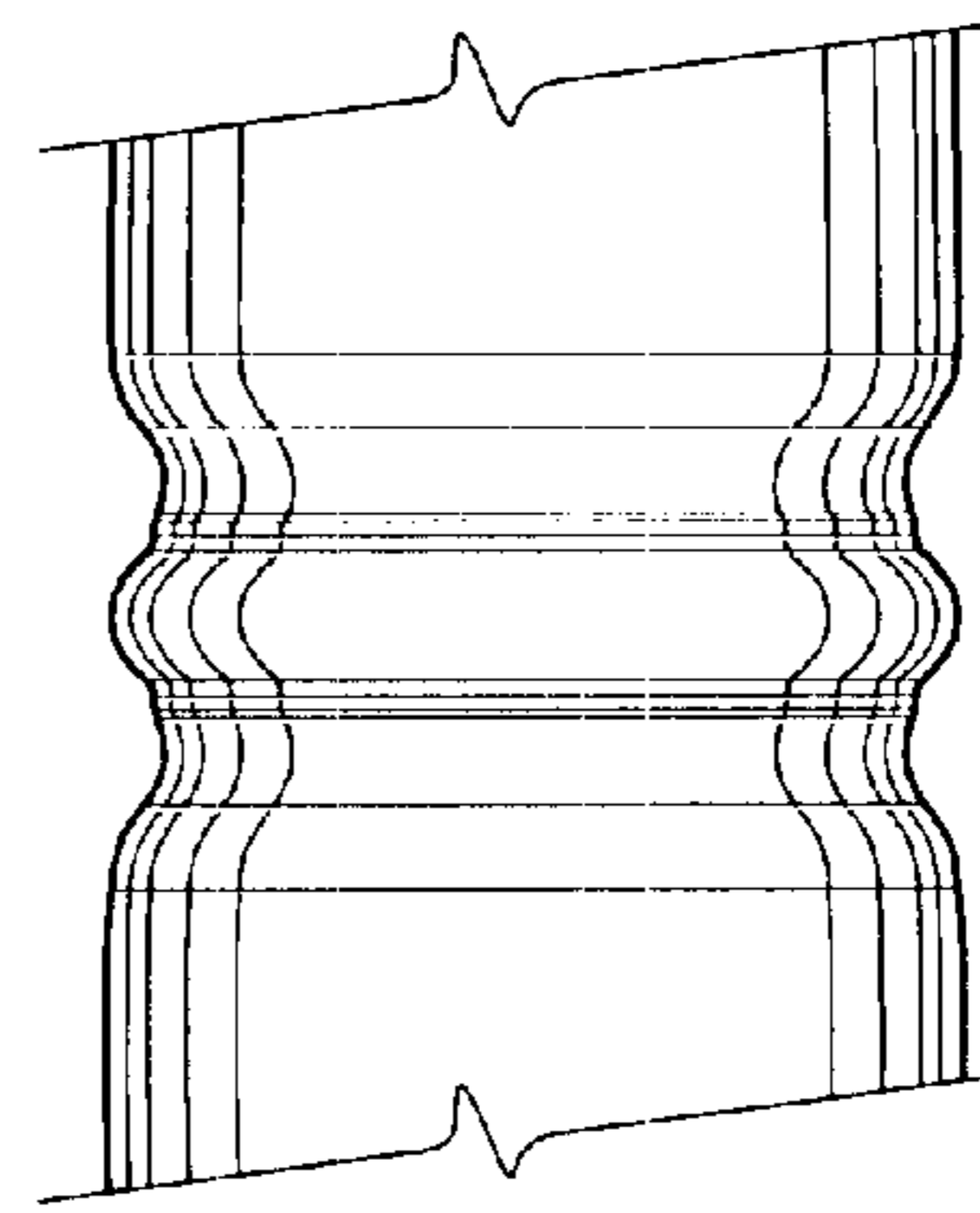


FIG. 4