



US00D463043S

(12) **United States Design Patent**
Edger

(10) **Patent No.:** **US D463,043 S**

(45) **Date of Patent:** **** Sep. 17, 2002**

(54) **SASH REINFORCEMENT FRAME**

Primary Examiner—Doris Clark

(75) Inventor: **Ronald Frederick Edger**, Bolton (CA)

(57) **CLAIM**

(73) Assignee: **Royal Group Technologies Limited**,
Woodbridge (CA)

An ornamental design for a sash reinforcement frame, as shown and described.

(**) Term: **14 Years**

(21) Appl. No.: **29/141,025**

DESCRIPTION

(22) Filed: **Apr. 30, 2001**

(51) **LOC (7) Cl.** **25-01**

FIG. 1 is a perspective of the sash reinforcement frame showing my new design; and,

(52) **U.S. Cl.** **D25/119**

FIG. 2 is an end elevational view of the sash reinforcement frame of FIG. 1.

(58) **Field of Search** D25/124, 119,
D25/52, 60; 52/730.3, 656.6, 204.5, 204.56,
204.51, 730, 205.1, 202; 49/501, 504, DIG. 2,
404, 413, 419, 407, 408

The sash reinforcement frame is broken in the center indicating indeterminate length.

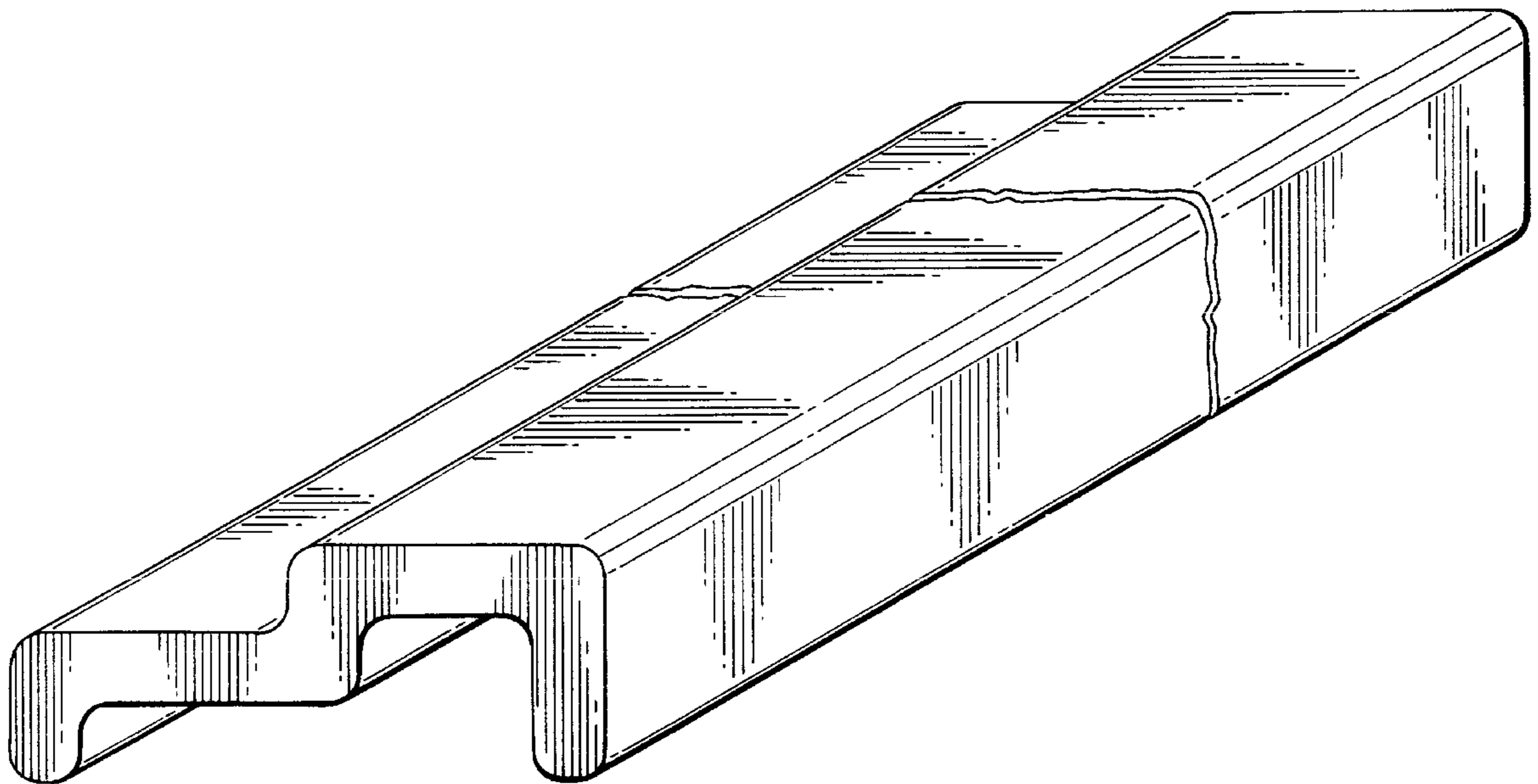
(56) **References Cited**

U.S. PATENT DOCUMENTS

D251,071 S * 2/1979 Brady D25/119

* cited by examiner

1 Claim, 1 Drawing Sheet



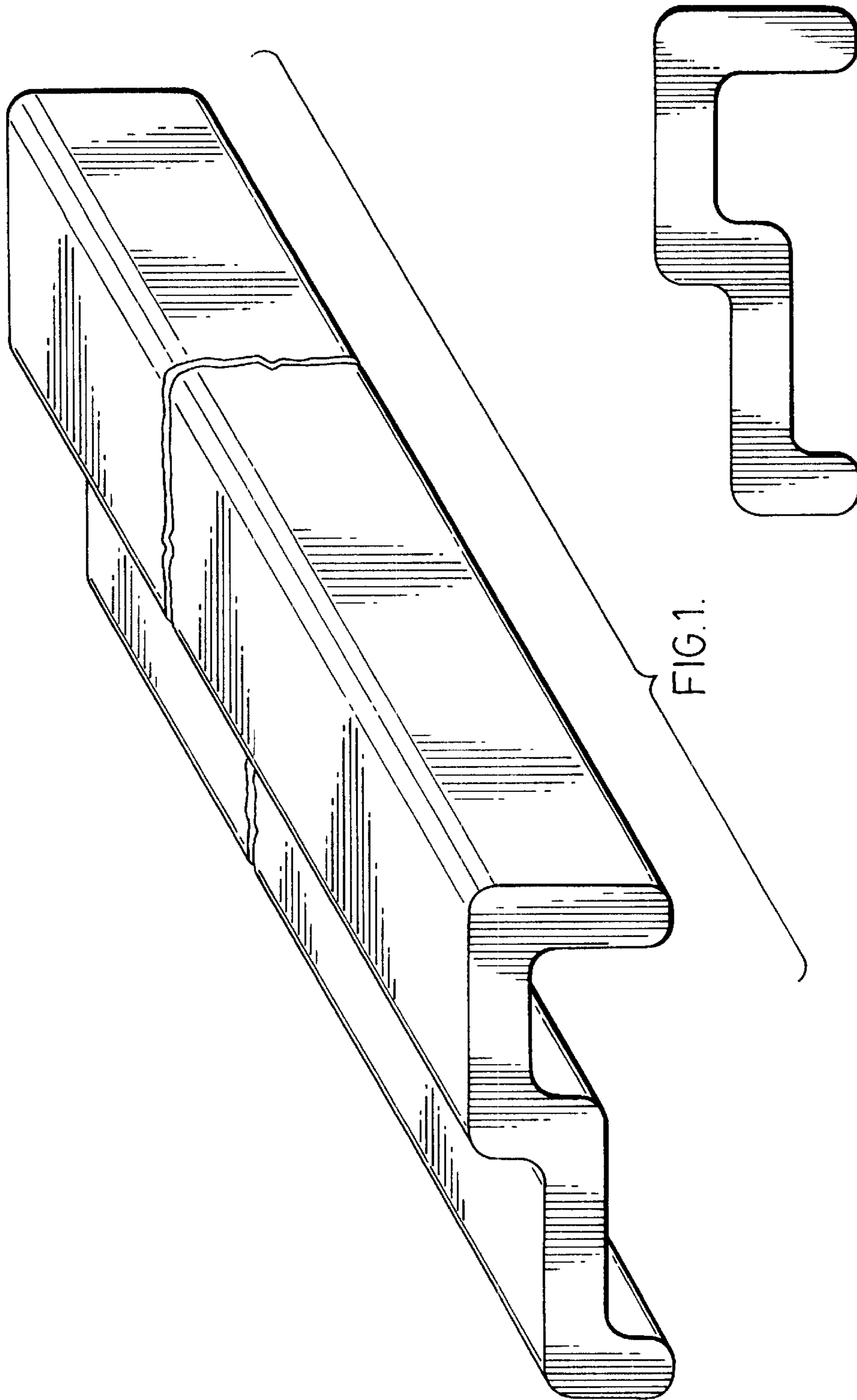


FIG.1.

FIG.2.