



US00D463039S

(12) **United States Design Patent**  
**Tseng**

(10) **Patent No.:** **US D463,039 S**

(45) **Date of Patent:** **\*\* Sep. 17, 2002**

(54) **TREAD OF A STAIRCASE**

(75) **Inventor:** **Chen-Nung Tseng, Chia Yi Hsien (TW)**

(73) **Assignee:** **Taiwan Lounge Chair Industry Co., Ltd., Chai Yi Hsien (TW)**

(\*\*) **Term:** **14 Years**

(21) **Appl. No.:** **29/150,650**

(22) **Filed:** **Nov. 23, 2001**

(51) **LOC (7) Cl.** ..... **25-04**

(52) **U.S. Cl.** ..... **D25/69**

(58) **Field of Search** ..... D25/69; 52/190,  
52/177, 179, 188

(56) **References Cited**

**U.S. PATENT DOCUMENTS**

D225,981 S \* 1/1973 Brown ..... D25/69

\* cited by examiner

*Primary Examiner*—Doris Clark

(74) *Attorney, Agent, or Firm*—Alan Kamrath; Rider, Bennett, Egan & Arundel, LLP

(57) **CLAIM**

The ornamental design for a tread of a staircase, as shown and described.

**DESCRIPTION**

FIG. 1 is a perspective view of a tread of a staircase showing my new design;

FIG. 2 is a front elevational view thereof;

FIG. 3 is a rear elevational view thereof;

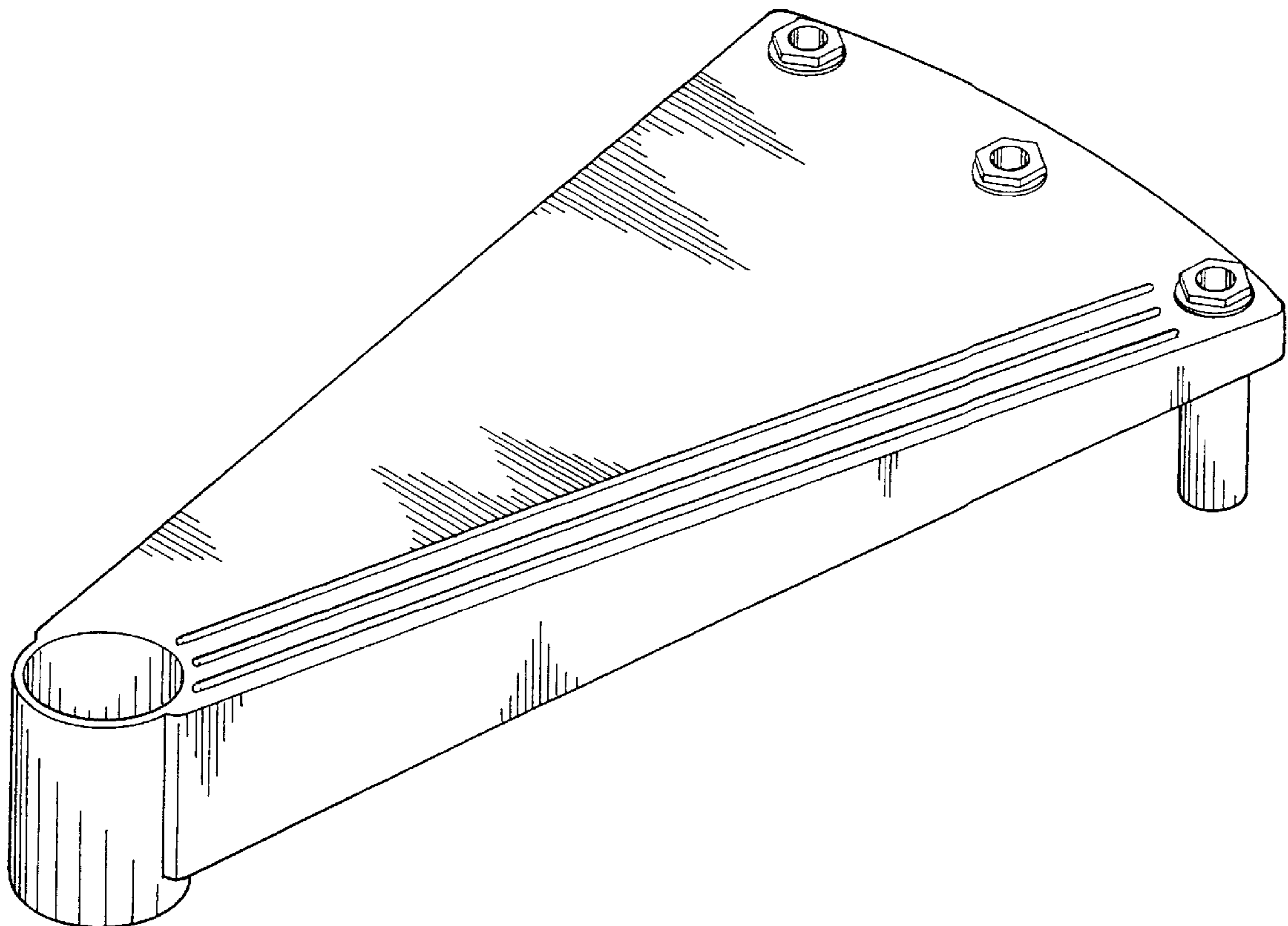
FIG. 4 is a left side elevational view thereof.

FIG. 5 is a right side elevational view thereof;

FIG. 6 is a top plan view thereof; and,

FIG. 7 is a bottom plan view thereof.

**1 Claim, 5 Drawing Sheets**



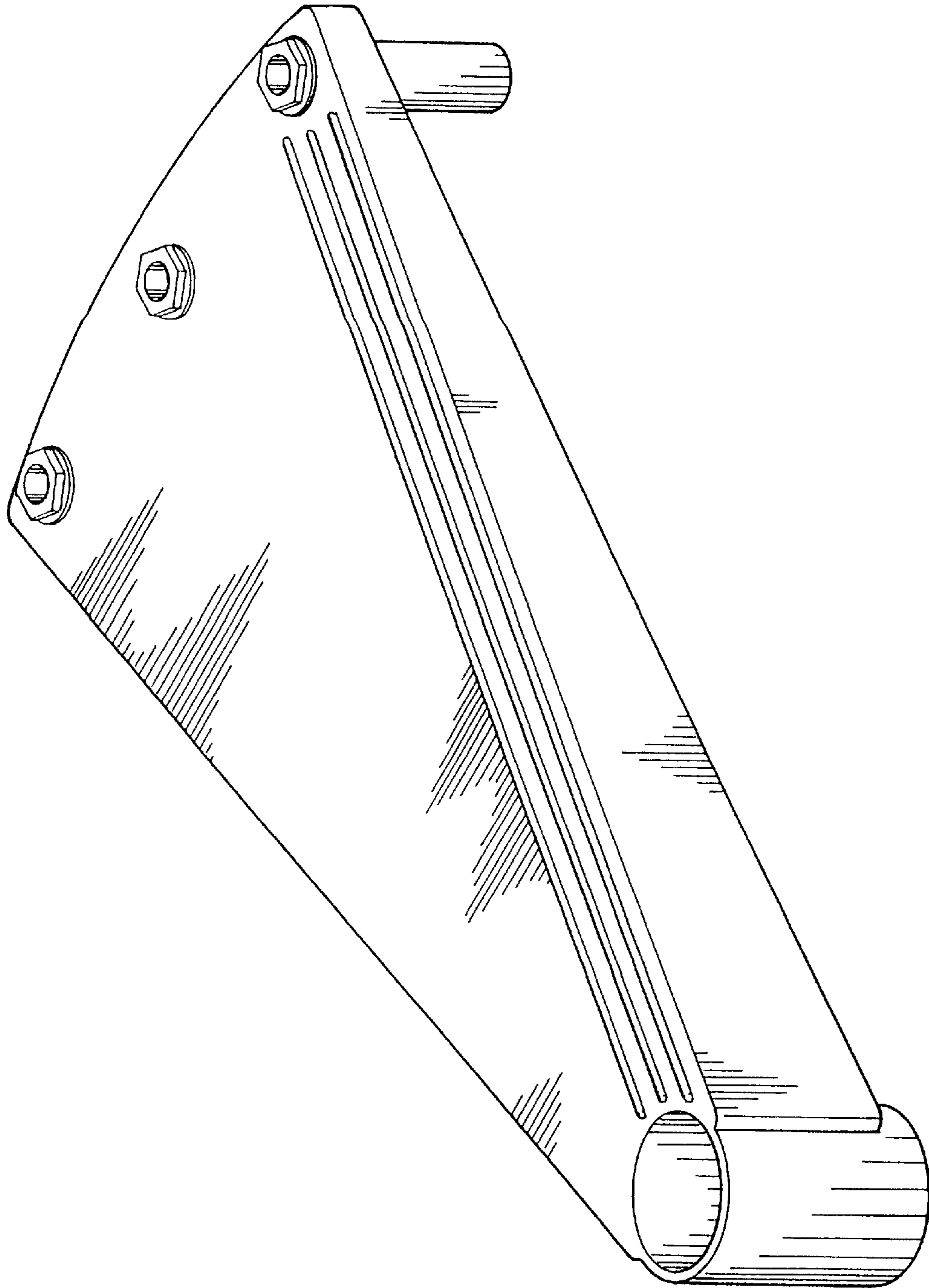


FIG. 1

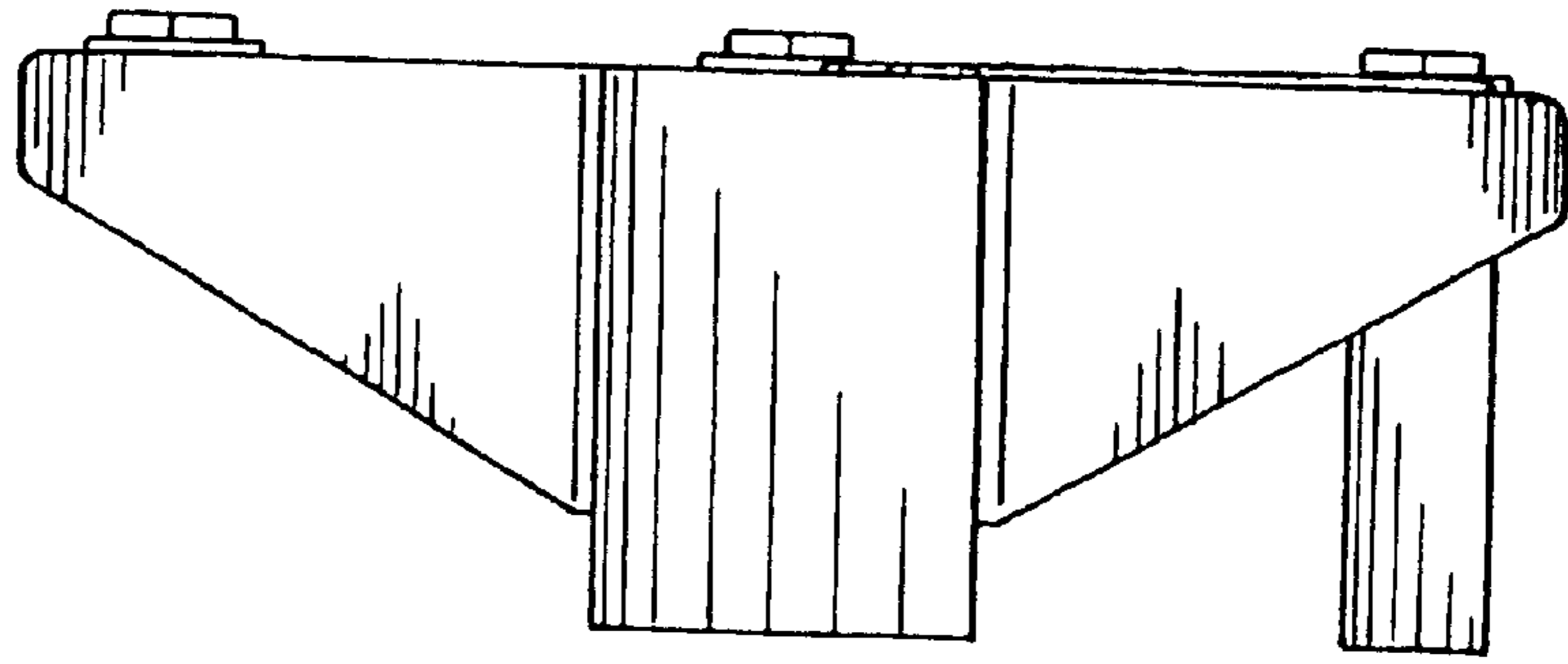


FIG. 2

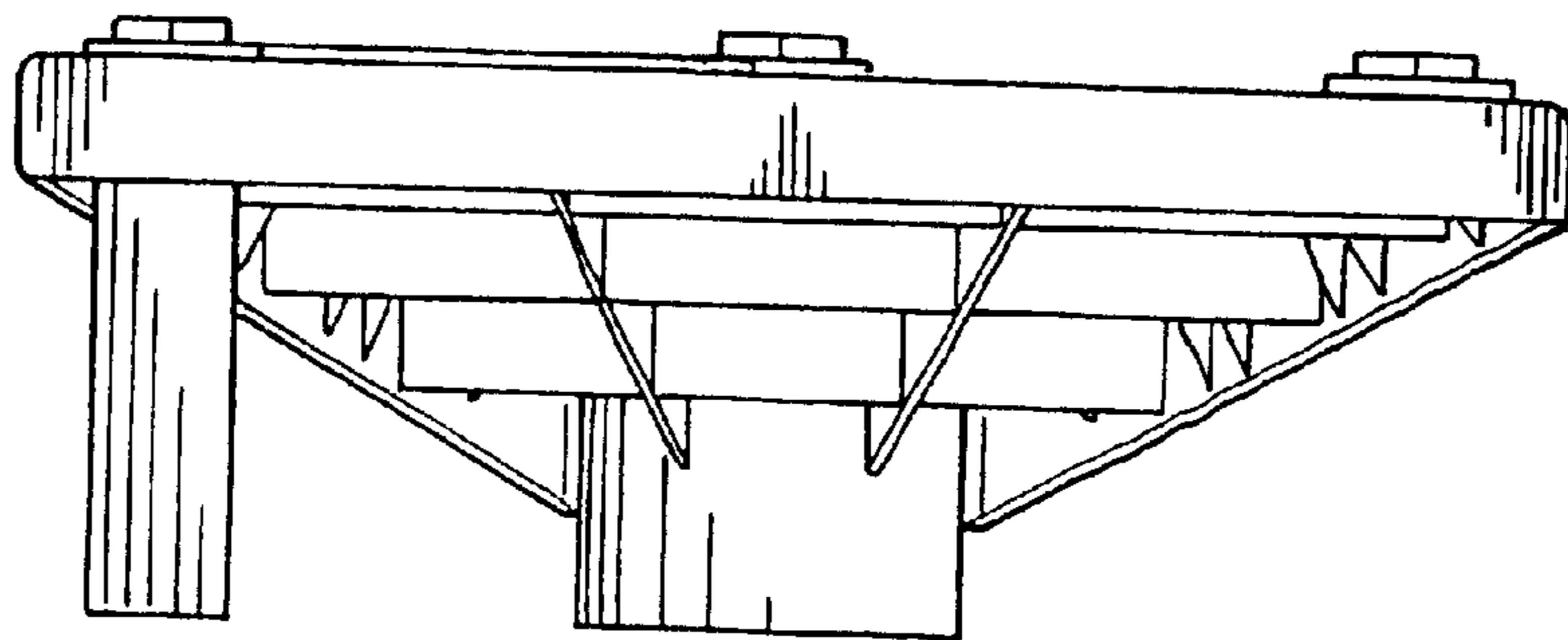


FIG. 3

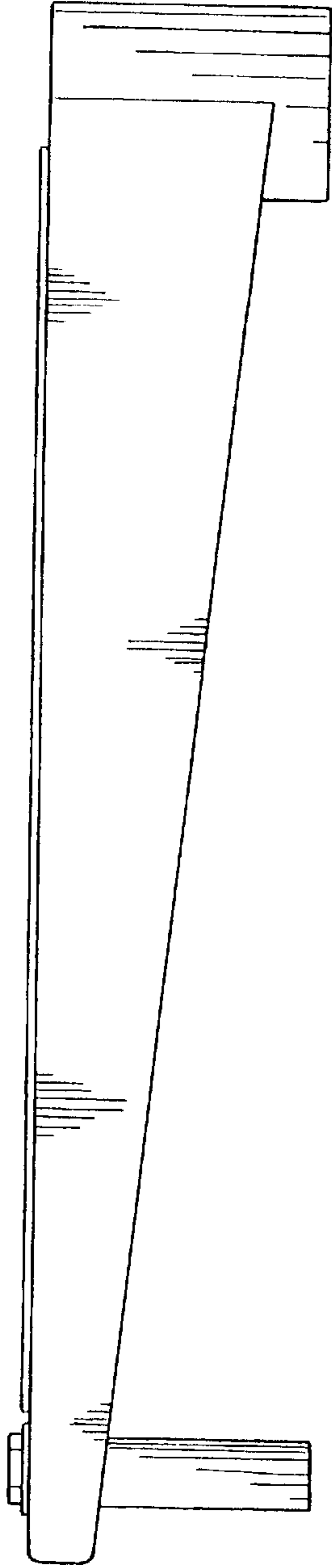


FIG. 4

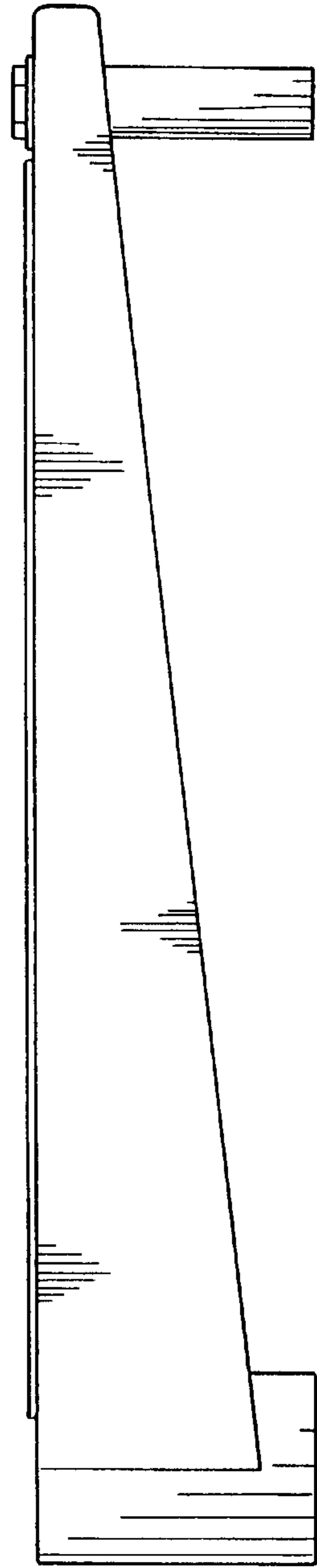
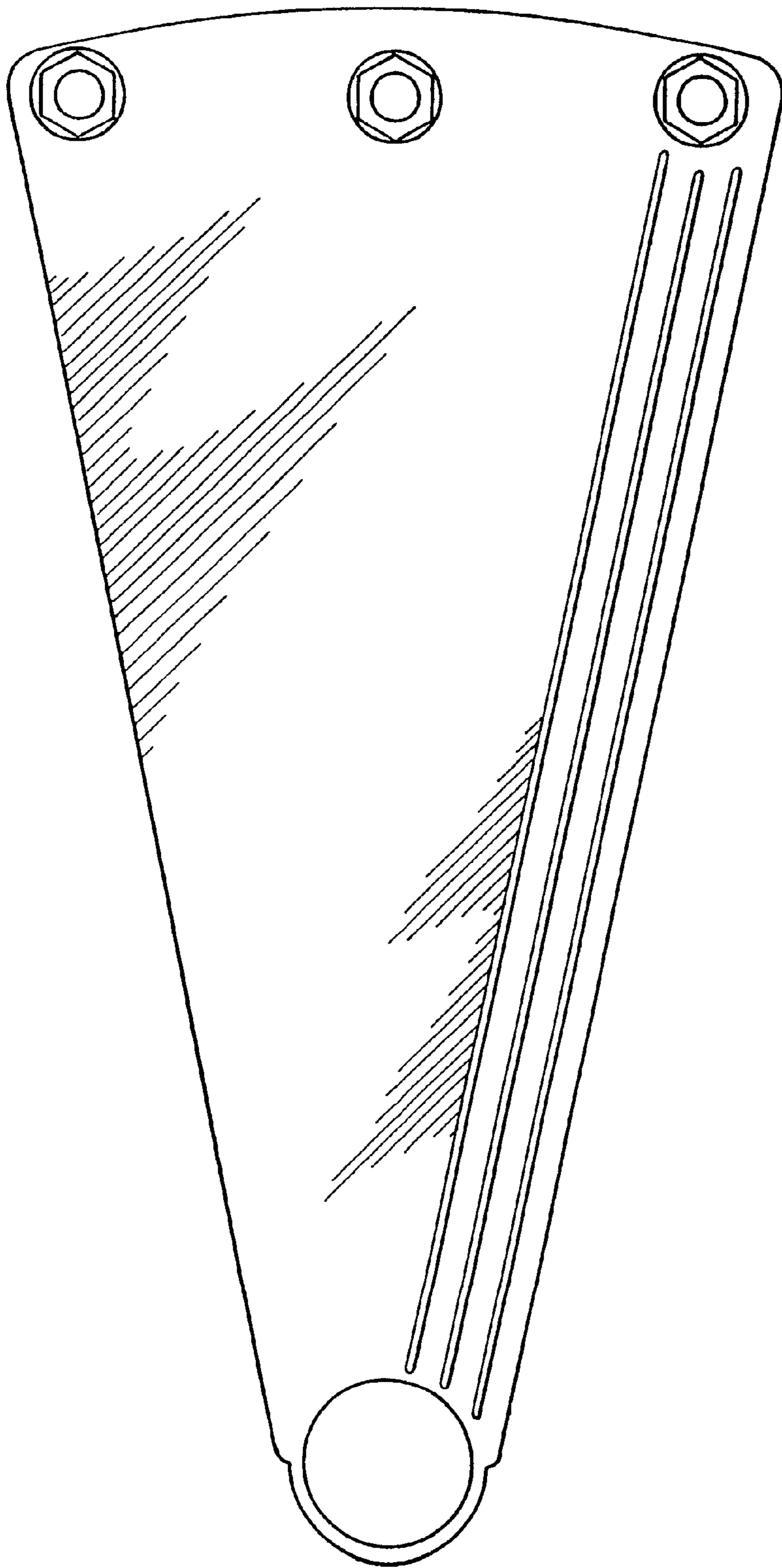


FIG. 5



F I G. 6

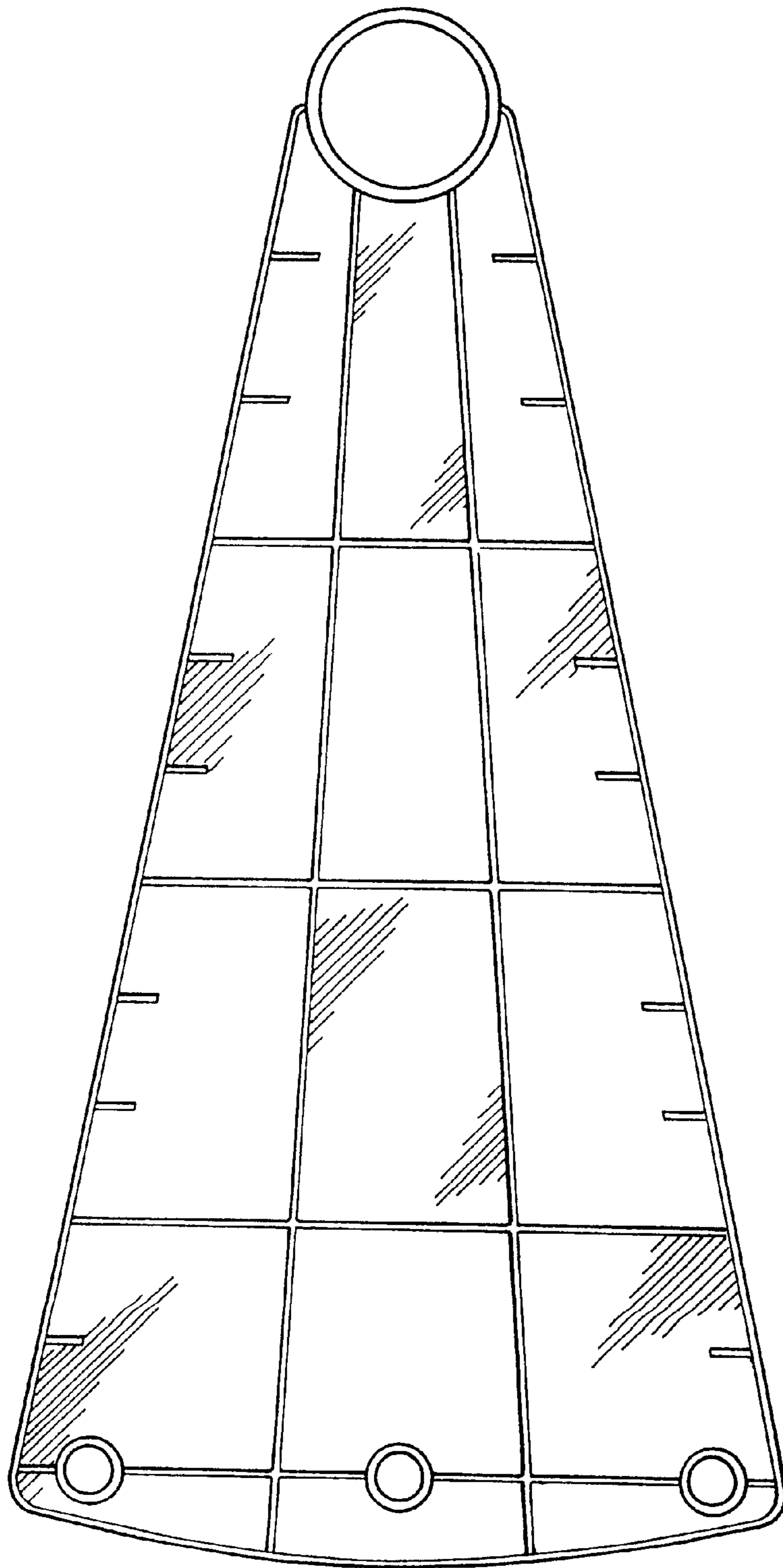


FIG. 7