



US00D463038S

(12) **United States Design Patent**
Conroy

(10) **Patent No.:** **US D463,038 S**

(45) **Date of Patent:** **** Sep. 17, 2002**

(54) **STEP STOOL**

DESCRIPTION

(76) Inventor: **John Conroy**, 24 Lachance Place,
Elliot Lake, Ontario (CA), P5A 3B8

(**) Term: **14 Years**

(21) Appl. No.: **29/150,127**

(22) Filed: **Nov. 7, 2001**

(51) **LOC (7) Cl.** **25-04**

(52) **U.S. Cl.** **D25/65**

(58) **Field of Search** D25/65; 182/33;
D6/350

The present design relates to a step stool adapted with a carrying handle and support. The step stool of the present design is fabricated of wood, logically fastened and assembled with screws, nails, adhesive and brackets. The handle portion of this step stool design can be used to carry the step stool without bending down, and also to help stabilize the user while on the stool. The stool may be decaled with various decorative overlays.

FIG. 1 is a perspective view from above of the step stool of the present design.

FIG. 2 is a top plan view of the step stool of the present design.

FIG. 3 is a front elevation view of the step stool of the present design.

FIG. 4 is a right side elevation view of the step stool of the present design.

FIG. 5 is a rear elevation view of the step stool of the present design.

FIG. 6 is a left side elevation view of the step stool of the present design; and,

FIG. 7 is a bottom plan view of the step stool of the present design.

(56) **References Cited**

U.S. PATENT DOCUMENTS

3,743,051 A * 7/1973 Cramer 182/33
D351,739 S * 10/1994 Cannon D25/56

* cited by examiner

Primary Examiner—Doris Clark

(74) *Attorney, Agent, or Firm*—Mike Gauthier

(57) **CLAIM**

I claim the ornamental design for the step stool, as shown and described.

1 Claim, 4 Drawing Sheets

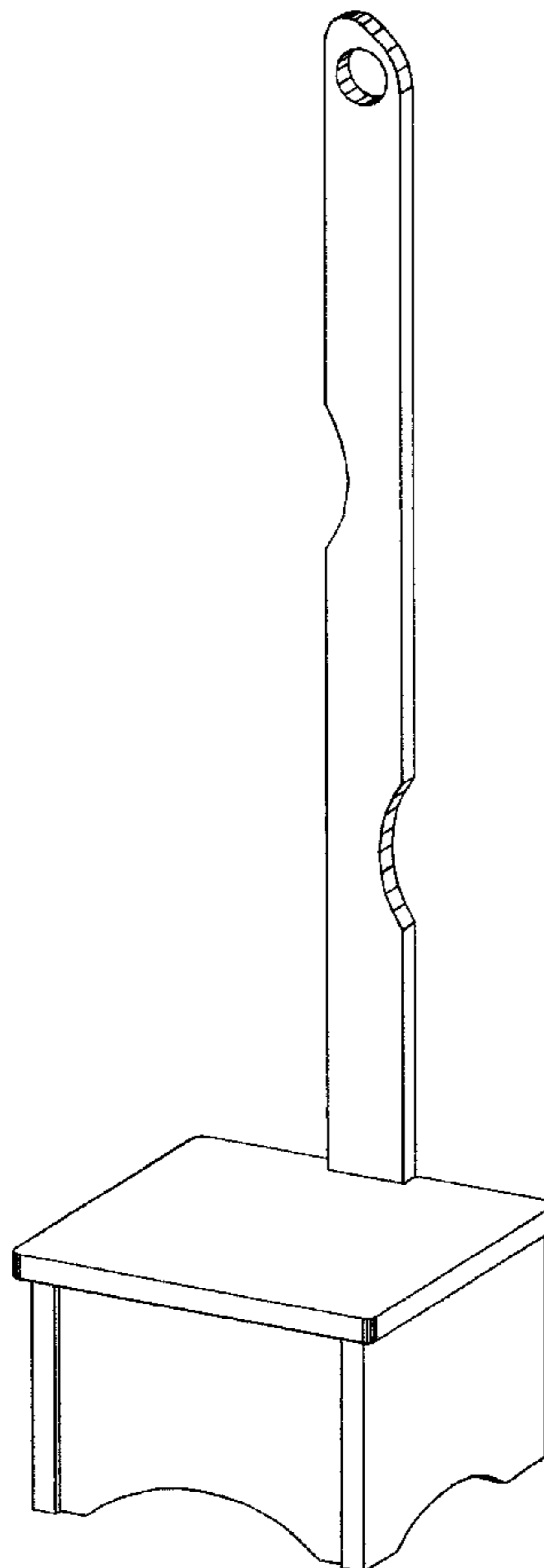
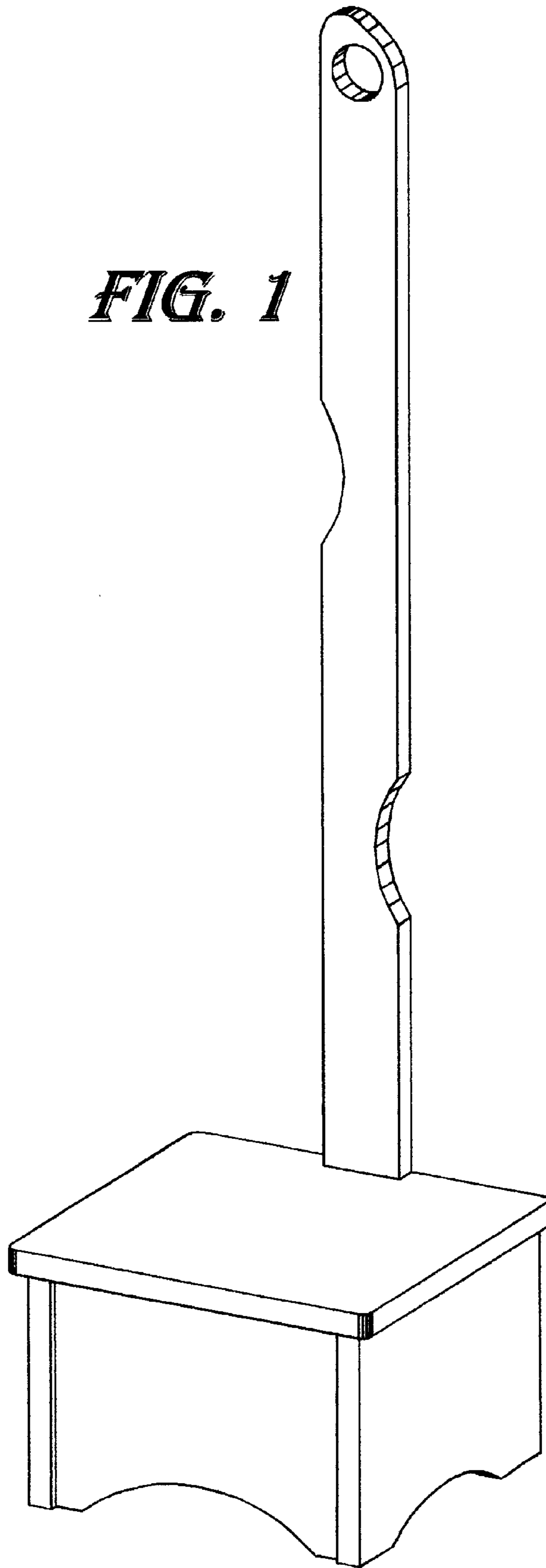


FIG. 1



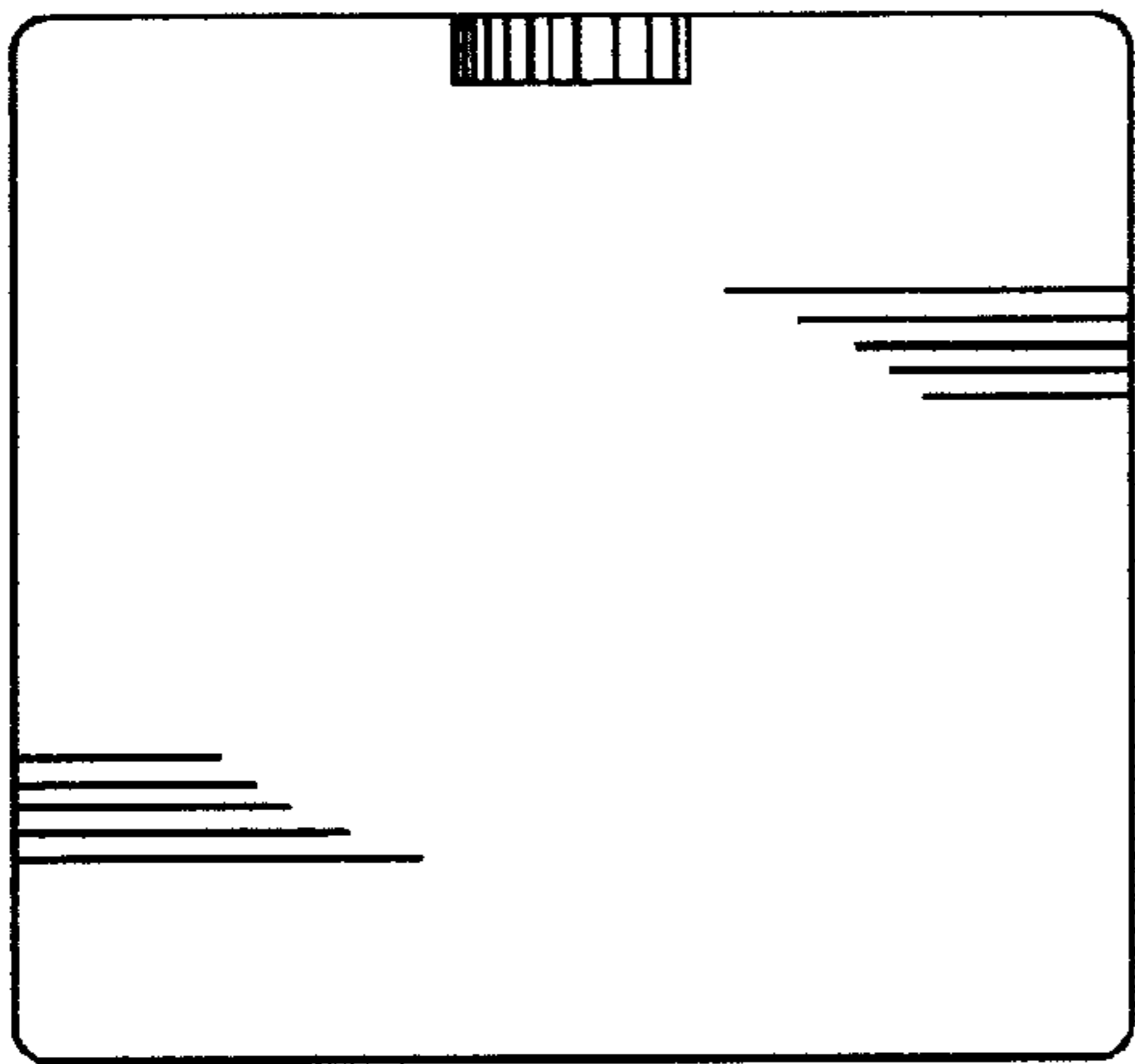


FIG. 2

FIG. 3

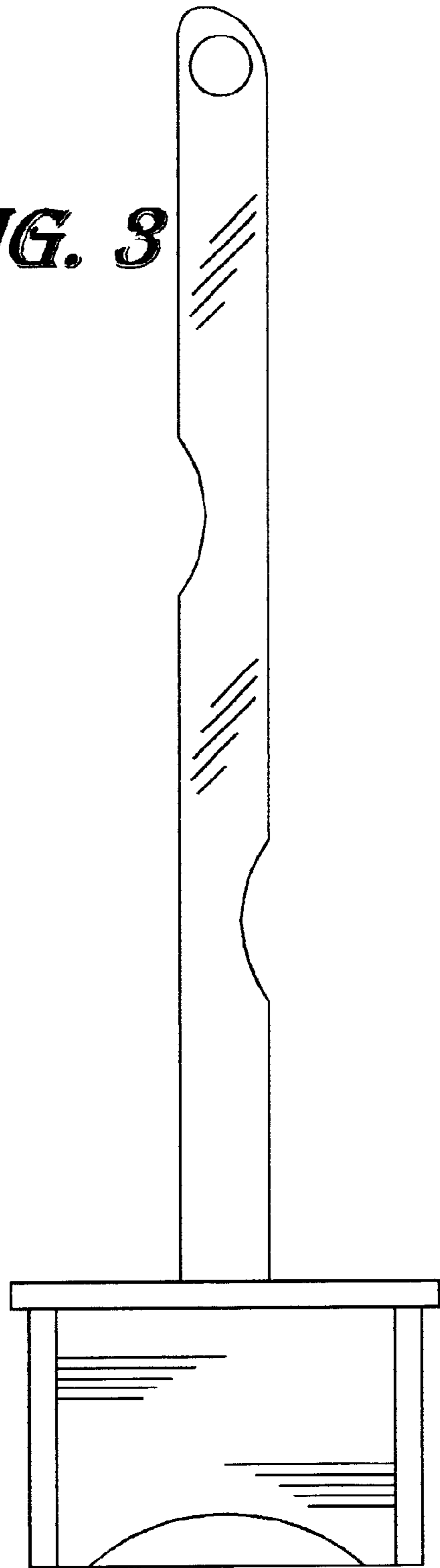


FIG. 4

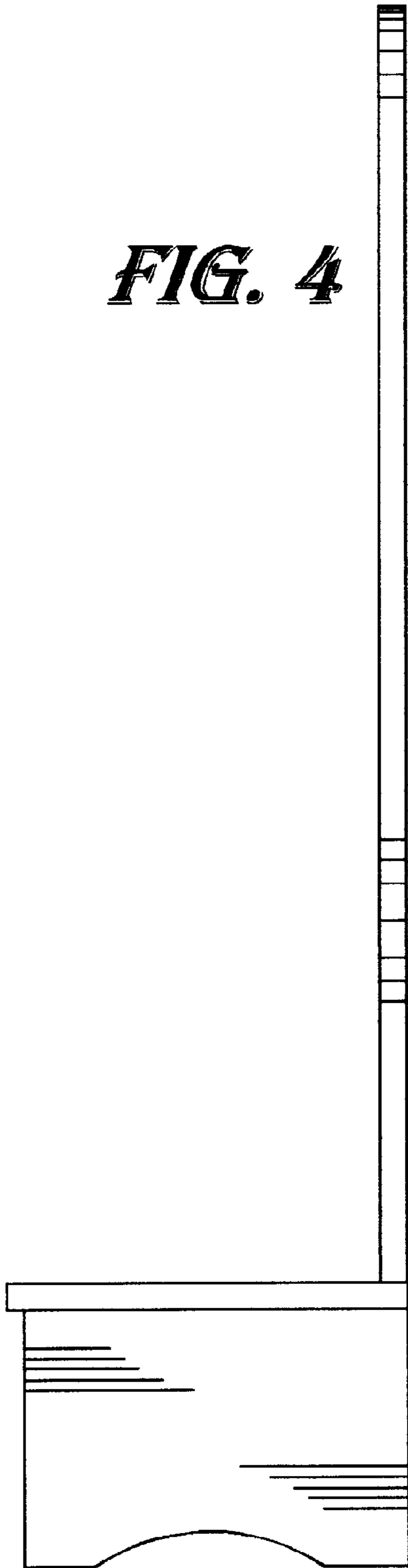


FIG. 5

