



US00D463035S

(12) **United States Design Patent**  
**Knoettgen**

(10) **Patent No.:** **US D463,035 S**

(45) **Date of Patent:** **\*\* Sep. 17, 2002**

- (54) **KIOSK**
- (75) Inventor: **Erin Knoettgen**, Irving, TX (US)
- (73) Assignee: **Viad Corporation**, Grapevine, TX (US)
- (\*\*) Term: **14 Years**
- (21) Appl. No.: **29/158,091**
- (22) Filed: **Mar. 29, 2002**
- (51) **LOC (7) Cl.** ..... **25-03**
- (52) **U.S. Cl.** ..... **D25/16**
- (58) **Field of Search** ..... D25/16; D6/437;  
52/36.1, 36.2

D367,777 S	3/1996	Arnone	.....	D6/436
D368,606 S	4/1996	Sargent, III	.....	D6/481
5,551,774 A	9/1996	Campbell et al.	.....	312/284
D379,664 S	6/1997	Horton	.....	D25/16
D379,665 S	6/1997	Horton	.....	D25/16
D379,666 S	6/1997	Horton	.....	D25/16
D379,667 S	6/1997	Horton	.....	D25/16
D383,854 S	9/1997	Ruscitto	.....	D25/16
5,692,342 A	12/1997	Devlin, Jr.	.....	52/36
D396,113 S	7/1998	Horton	.....	D25/16
D396,114 S	7/1998	Horton	.....	D25/16
D403,179 S	12/1998	Horton	.....	D6/474
D405,629 S	2/1999	Horton	.....	D6/474
D406,354 S	3/1999	Horton	.....	D25/16
D406,903 S	3/1999	Horton	.....	D25/16
D407,921 S	4/1999	Horton	.....	D6/474
D413,392 S	8/1999	Horton	.....	D25/16
D423,113 S	4/2000	Horton	.....	D25/16
D423,682 S	4/2000	Horton	.....	D25/31
D424,700 S	5/2000	Horton	.....	D25/18
D424,701 S	5/2000	Horton	.....	D25/18
D435,113 S	12/2000	Horton	.....	D25/16
D438,984 S	3/2001	Cohn	.....	D25/16
D440,319 S	4/2001	Horton	.....	D25/16
D443,069 S	5/2001	Horton	.....	D25/16
D445,910 S	7/2001	Cohn	.....	D25/16
D445,911 S	7/2001	Cohn	.....	D25/16
D445,912 S	7/2001	Cohn	.....	D25/16
D445,913 S	7/2001	Horton	.....	D25/16
D446,314 S	8/2001	Horton	.....	D25/16

(56) **References Cited**

**U.S. PATENT DOCUMENTS**

589,971 A	9/1897	Kephart	
D54,883 S	4/1920	Willett	
D85,555 S	11/1931	Stebbins	
D148,842 S	3/1948	Cushman	..... D30/11
D149,381 S	4/1948	Schick	..... D80/9
D152,219 S	12/1948	Schick	..... D80/9
D152,371 S	1/1949	Schick	..... D80/11
2,836,860 A	6/1958	Staropoli	..... 20/1.6
D200,225 S	2/1965	Benjamin	..... D80/11
D219,579 S	12/1970	Wormser	..... D25/4
3,715,815 A	2/1973	Lewis	..... 35/60
D254,327 S	2/1980	Tasse	..... D25/26
D256,530 S	8/1980	Johnson	..... D6/144
D260,708 S	9/1981	Schindler	..... D6/144
D265,617 S	8/1982	Sauroge, III et al.	..... D6/144
D279,408 S	6/1985	Davenport	..... D25/25
4,572,598 A	2/1986	Moore	..... 312/284
D288,040 S	2/1987	LeBlanc	..... D6/473
D288,609 S	3/1987	Watkins	..... D25/11
D302,221 S	7/1989	Suttles et al.	..... D6/481
D313,077 S	12/1990	Minarro	..... D25/16
5,048,857 A	9/1991	Stevens	..... 280/651
D326,024 S	5/1992	Boyd et al.	..... D6/480
D341,458 S	11/1993	Carroll	..... D34/20
D346,867 S	5/1994	Montilla	..... D25/16
D348,367 S	7/1994	Geisen et al.	..... D6/481
D350,829 S	9/1994	Horton	..... D25/16
5,375,899 A	12/1994	Wright	..... 296/21
D354,816 S	1/1995	Horton	..... D25/16

*Primary Examiner*—Doris Clark

(74) *Attorney, Agent, or Firm*—Locke Liddell & Sapp LLP

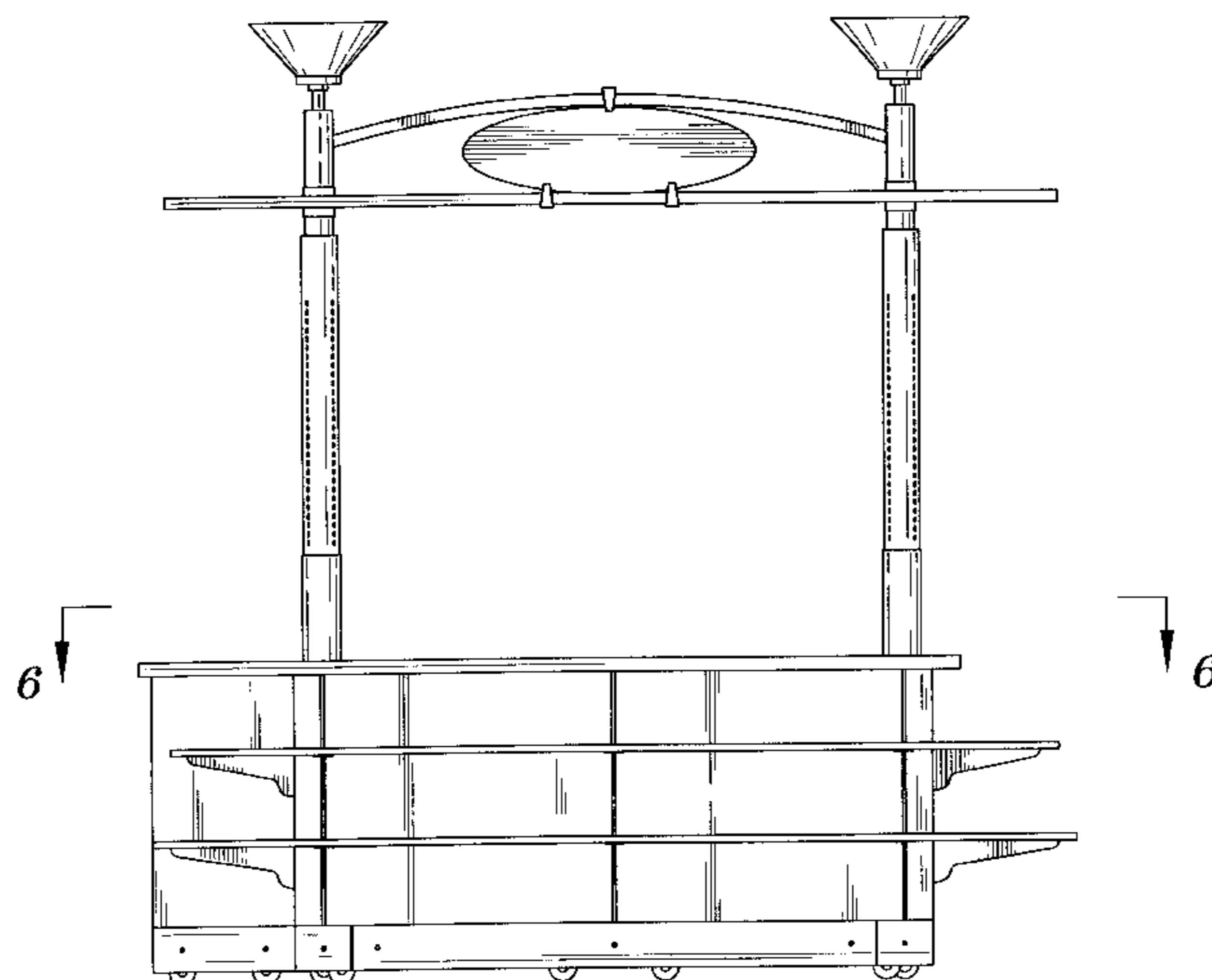
(57) **CLAIM**

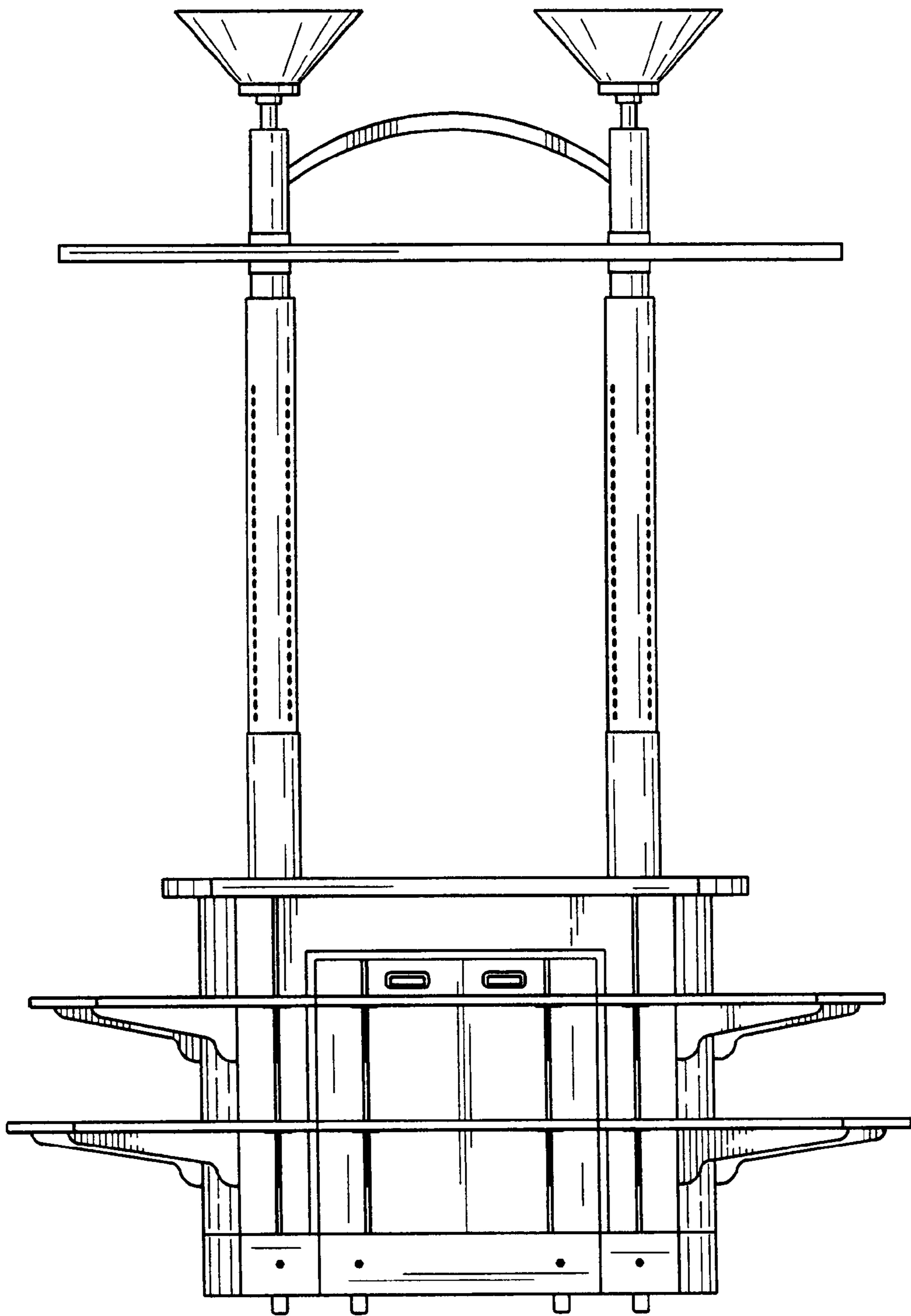
The ornamental design for “kiosk”, as shown and described.

**DESCRIPTION**

FIG. 1 is a right side elevational view of a kiosk showing my new design;  
 FIG. 2 is a front elevational view thereof;  
 FIG. 3 is a left side elevational view thereof;  
 FIG. 4 is a top plan view thereof;  
 FIG. 5 is a bottom plan view thereof; and,  
 FIG. 6 is a sectional view thereof taken generally along sectional lines 6—6 of FIG. 2.

**1 Claim, 6 Drawing Sheets**





*FIG. 1*

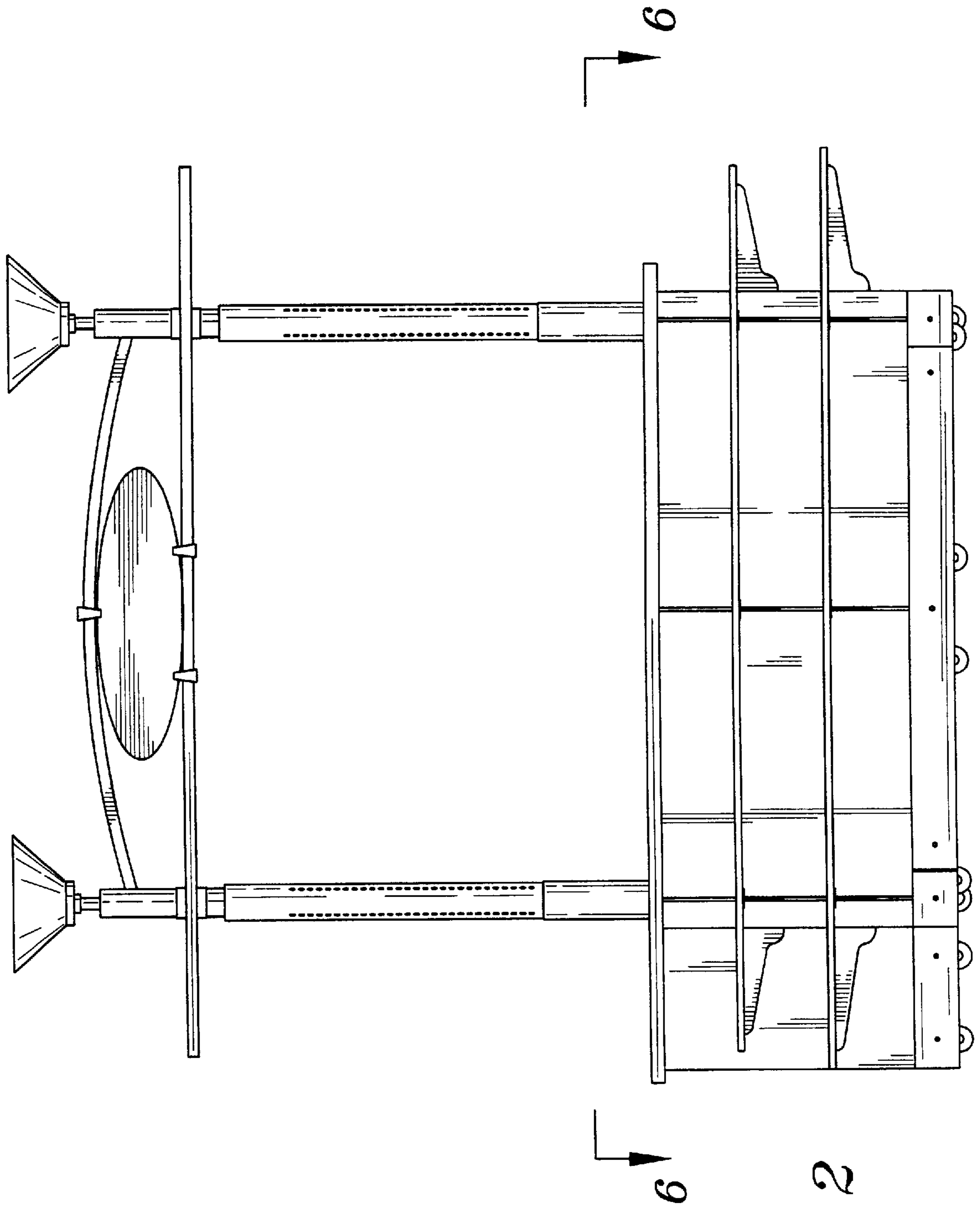
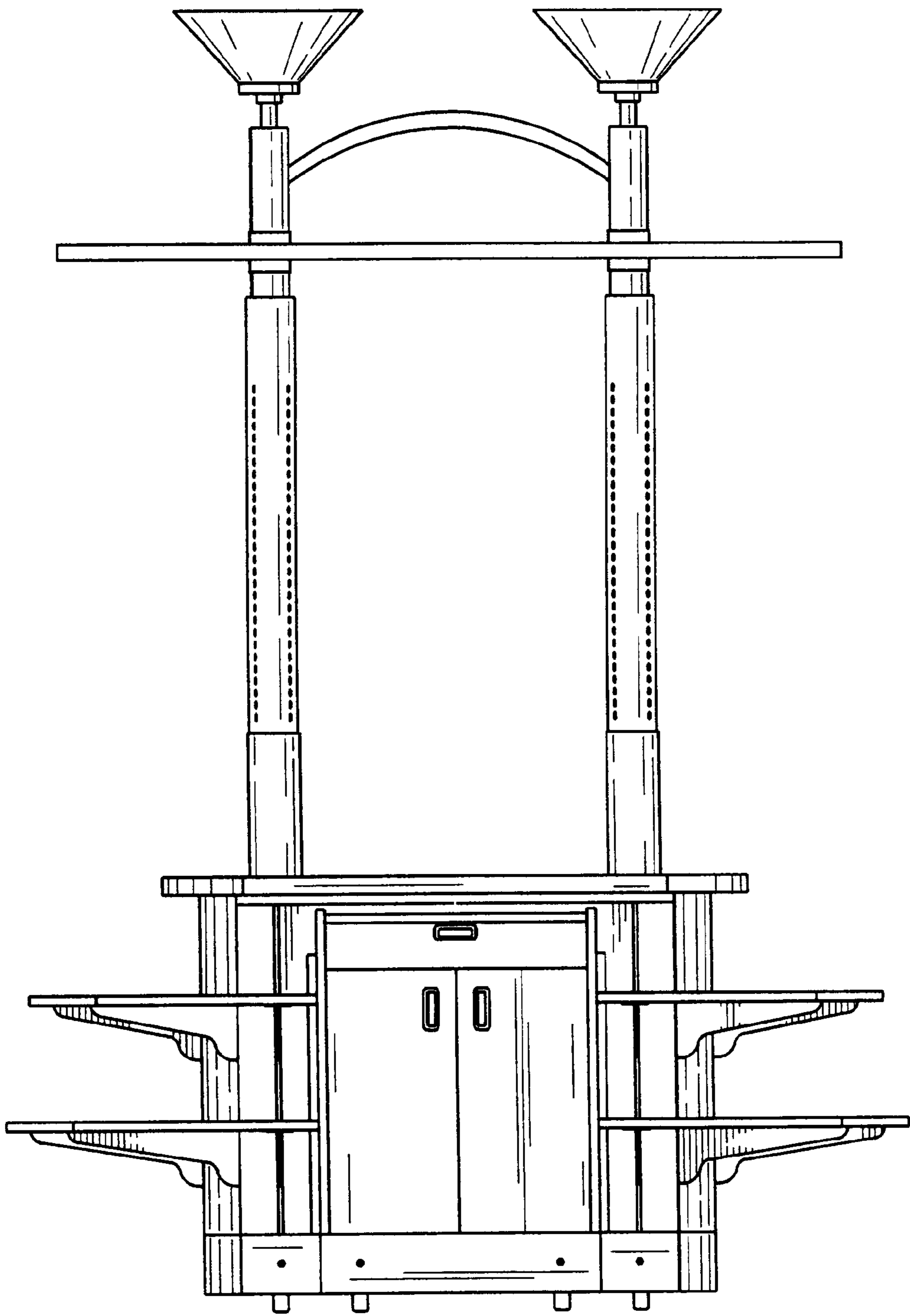


FIG. 2



*FIG. 3*

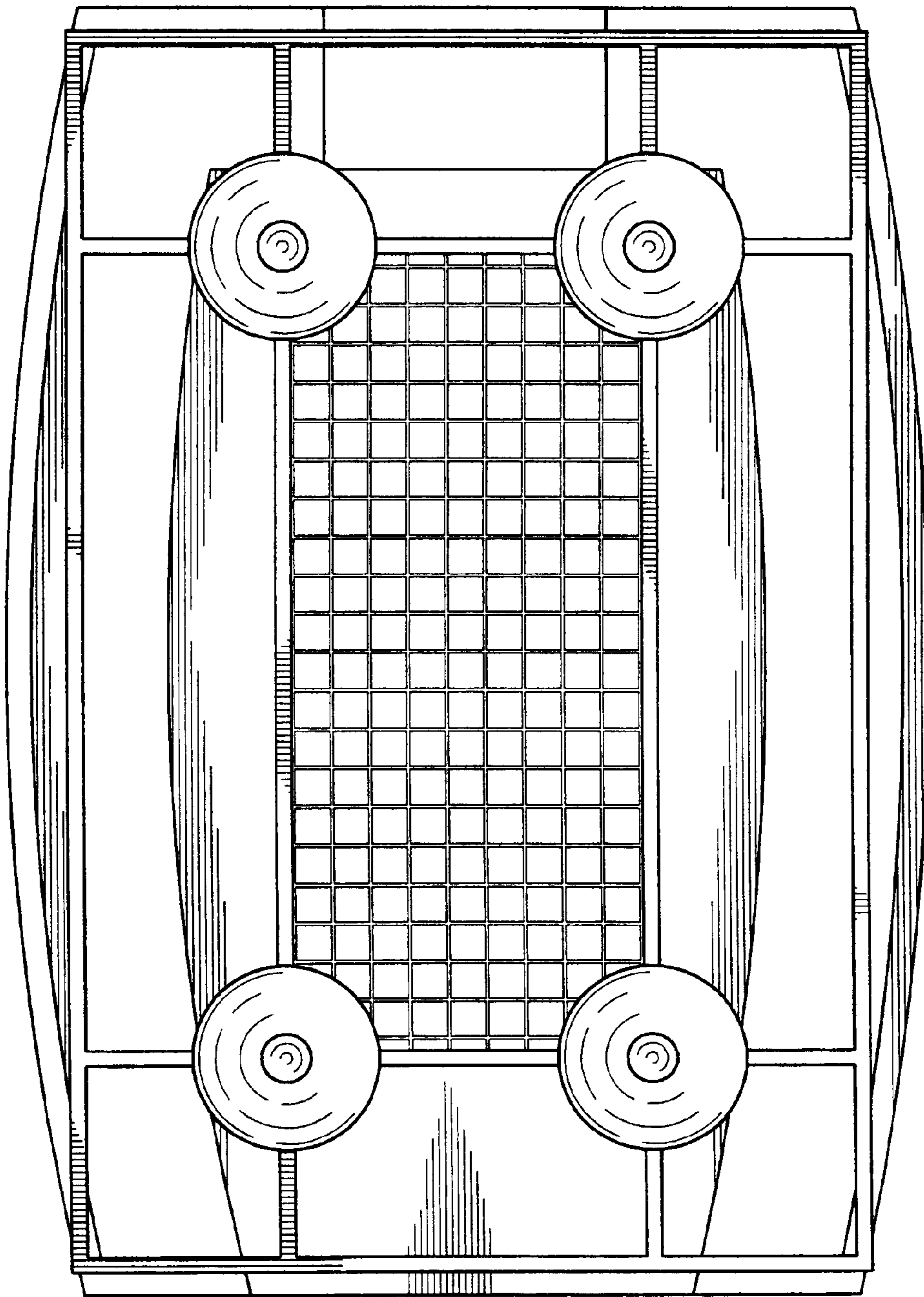


FIG. 4

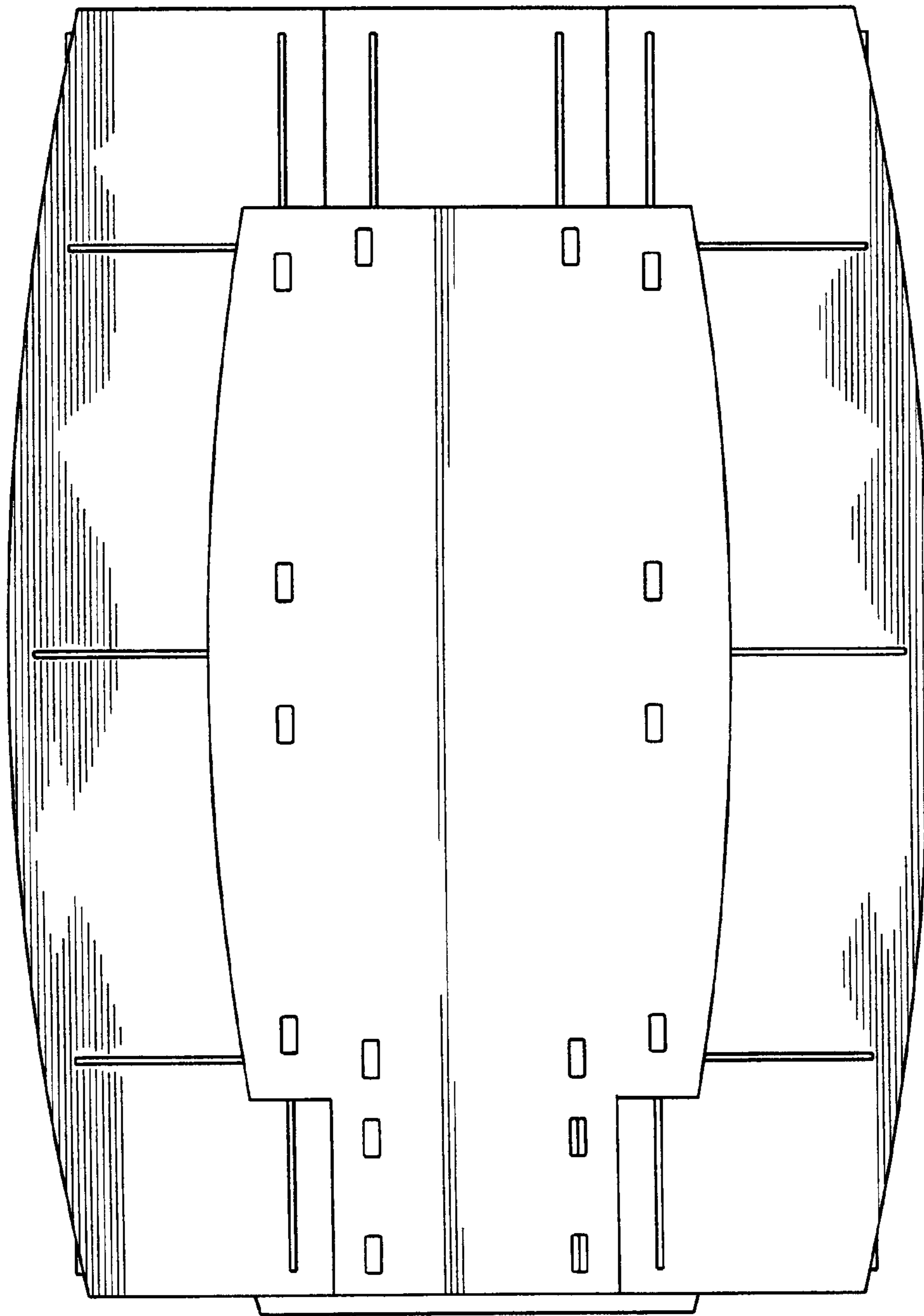


FIG. 5

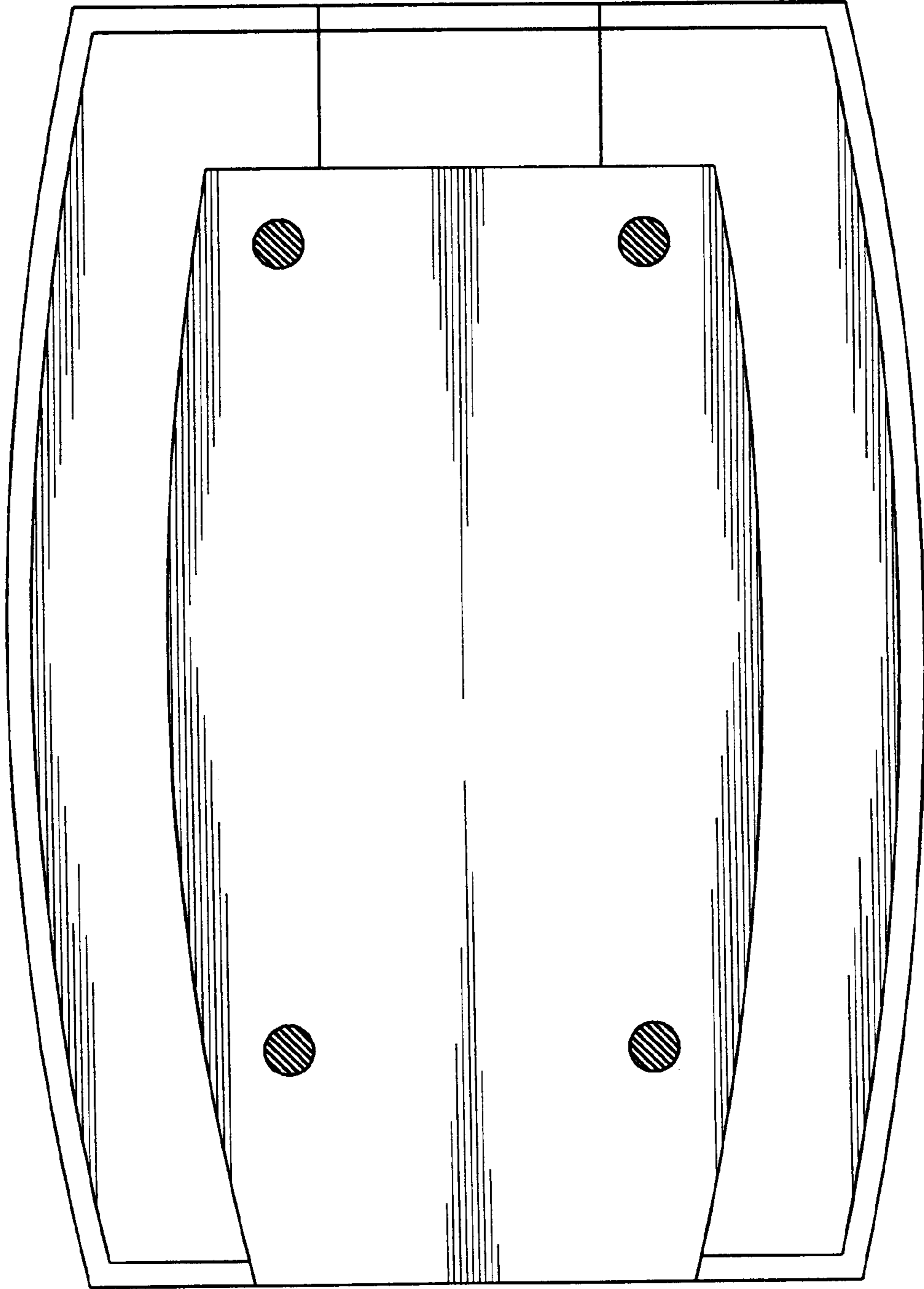


FIG. 6