



US00D463034S

(12) **United States Design Patent**
Cohn

(10) **Patent No.: US D463,034 S**

(45) **Date of Patent: ** Sep. 17, 2002**

- (54) **KIOSK**
- (75) Inventor: **Garry Cohn, Dallas, TX (US)**
- (73) Assignee: **Viad Corporation, Grapevine, TX (US)**
- (**) Term: **14 Years**
- (21) Appl. No.: **29/157,499**
- (22) Filed: **Mar. 20, 2002**
- (51) **LOC (7) Cl. 25-03**
- (52) **U.S. Cl. D25/16**
- (58) **Field of Search D25/16; D6/437;**
52/36.1, 36.2

D354,816 S	1/1995	Horton	D25/16
D367,777 S	3/1996	Arnone	D6/436
D368,606 S	4/1996	Sargent, III	D6/481
5,551,774 A *	9/1996	Campbell et al.	312/284
D379,664 S	6/1997	Horton	D25/16
D379,665 S	6/1997	Horton	D25/16
D379,666 S	6/1997	Horton	D25/16
D379,667 S	6/1997	Horton	D25/16
D383,854 S	9/1997	Ruscitto	D25/16
5,692,342 A *	12/1997	Devlin, Jr.	52/36
D396,113 S	7/1998	Horton	D25/16
D396,114 S	7/1998	Horton	D25/16
D403,179 S	12/1998	Horton	D6/474
D405,629 S	2/1999	Horton	D6/474
D406,354 S	3/1999	Horton	D25/16
D406,903 S	3/1999	Horton	D25/16
D407,921 S	4/1999	Horton	D6/474
D413,392 S	8/1999	Horton	D25/16
D423,113 S	4/2000	Horton	D25/16
D423,682 S	4/2000	Horton	D25/31
D424,700 S	5/2000	Horton	D25/18
D424,701 S	5/2000	Horton	D25/18
D435,113 S	12/2000	Horton	D25/16
D438,984 S	3/2001	Cohn	D25/16
D440,319 S	4/2001	Horton	D25/16
D443,069 S	5/2001	Horton	D25/16
D445,910 S	7/2001	Cohn	D25/16

- (56) **References Cited**
- U.S. PATENT DOCUMENTS**
- | | | | |
|-------------|---------|---------------------|---------------|
| 589,971 A | 9/1897 | Kephart | |
| D54,883 S | 4/1920 | Willett | |
| D85,555 S | 11/1931 | Stebbing | |
| D148,842 S | 3/1948 | Cushman | D30/11 |
| D149,381 S | 4/1948 | Schick | D80/9 |
| D152,219 S | 12/1948 | Schick | D80/9 |
| D152,371 S | 1/1949 | Schick | D80/11 |
| 2,836,860 A | 6/1958 | Staropoli | 20/16 |
| D200,225 S | 2/1965 | Benjamin | D80/11 |
| D219,579 S | 12/1970 | Wormser | D25/4 |
| 3,715,815 A | 2/1973 | Lewis | 35/60 |
| D254,327 S | 2/1980 | Tasse | D25/26 |
| D256,530 S | 8/1980 | Johnson | D6/144 |
| D260,708 S | 9/1981 | Schindler | D6/144 |
| D265,617 S | 8/1982 | Sauroge, III et al. | D6/144 |
| D279,408 S | 6/1985 | Davenport | D25/25 |
| 4,572,598 A | 2/1986 | Moore | 312/284 |
| D288,040 S | 2/1987 | LeBlanc | D6/473 |
| D288,609 S | 3/1987 | Watkins | D25/11 |
| D302,221 S | 7/1989 | Suttles et al. | D6/481 |
| D313,077 S | 12/1990 | Minarro | D25/16 |
| 5,048,857 A | 9/1991 | Stevens | 280/651 |
| D326,024 S | 5/1992 | Boyd et al. | D6/480 |
| D341,458 S | 11/1993 | Carroll | D34/20 |
| D346,867 S | 5/1994 | Montilla | D25/16 |
| D348,367 S | 7/1994 | Geisen et al. | D6/481 |
| D350,829 S | 9/1994 | Horton | D25/16 |
| 5,375,899 A | 12/1994 | Wright | 296/21 |

(List continued on next page.)

Primary Examiner—Doris Clark
(74) *Attorney, Agent, or Firm*—Locke Liddell & Sapp LLP

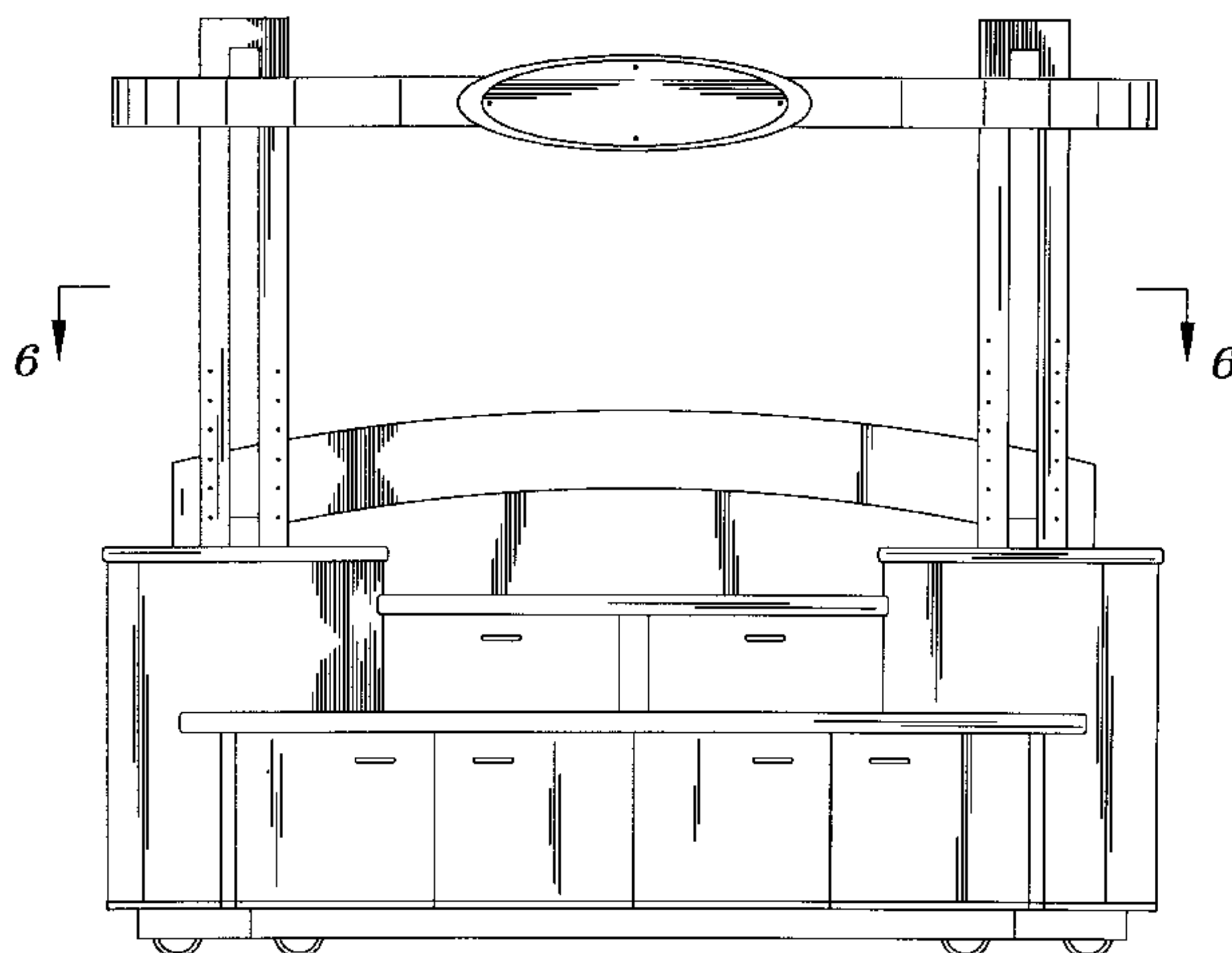
(57) **CLAIM**

The ornamental design for kiosk, as shown and described.

DESCRIPTION

FIG. 1 is a right side elevational view of a kiosk showing my new design;
 FIG. 2 is a front elevational view thereof;
 FIG. 3 is a left side elevational view thereof;
 FIG. 4 is a top plan view thereof;
 FIG. 5 is a bottom plan view thereof;
 FIG. 6 is a sectional view thereof taken generally along sectional lines 6—6 of FIG. 2; and,
 FIG. 7 is a rear elevational view thereof.

1 Claim, 7 Drawing Sheets



US D463,034 S

Page 2

U.S. PATENT DOCUMENTS				D445,913 S	7/2001	Horton	D25/16	
D445,911 S	7/2001	Cohn	D25/16	D446,314 S	8/2001	Horton	D25/16
D445,912 S	7/2001	Cohn	D25/16	* cited by examiner				

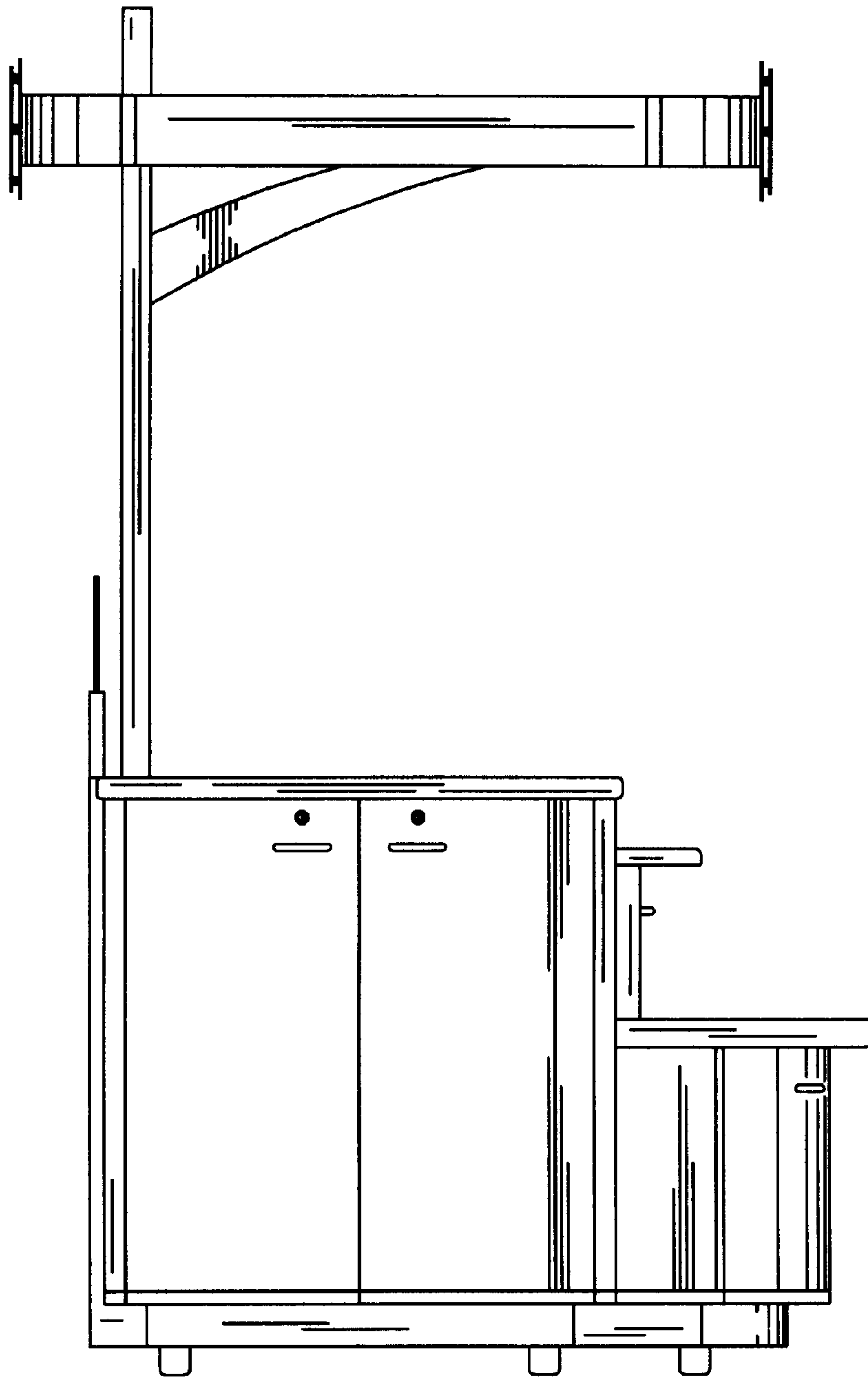


FIG. 1

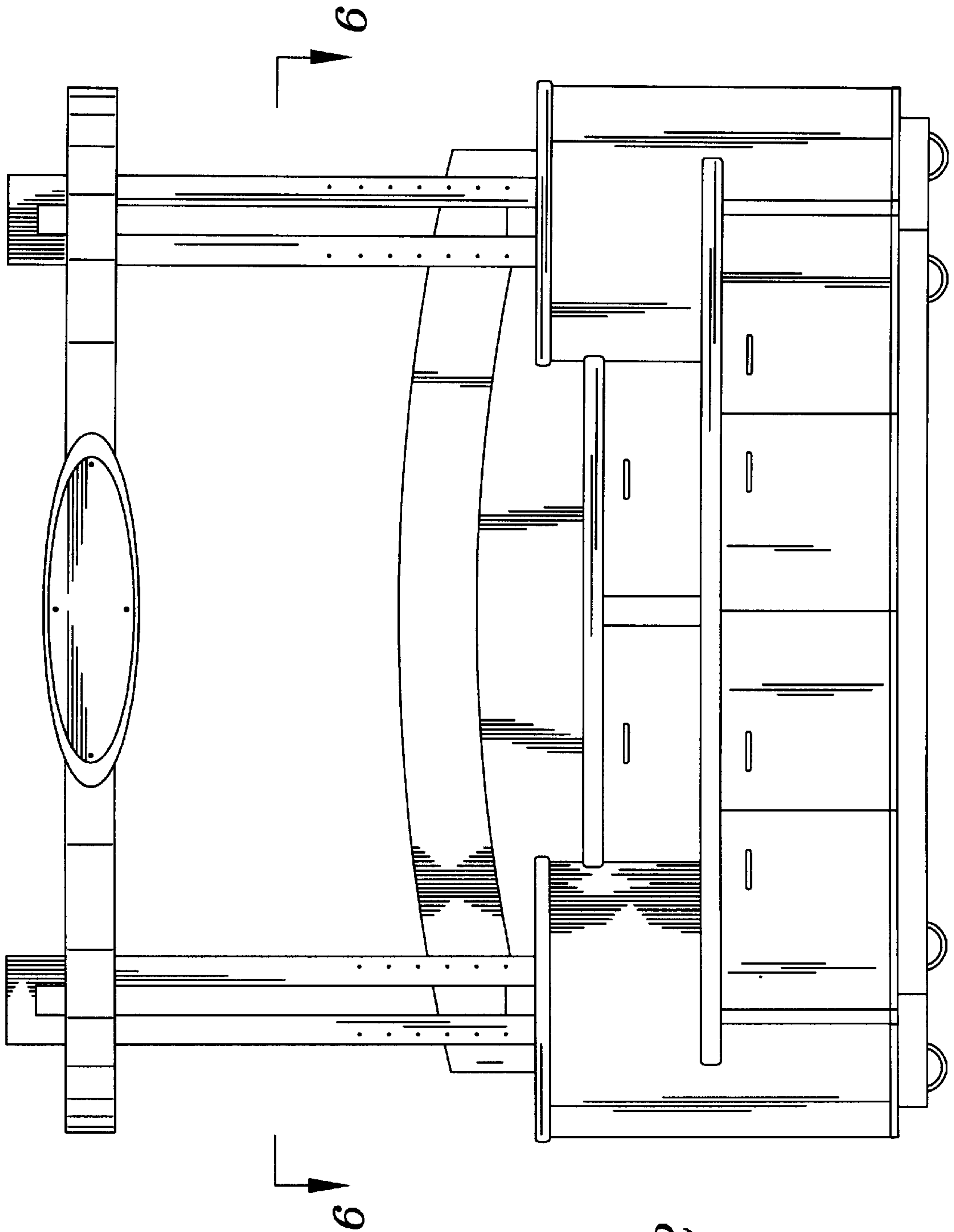


FIG. 2

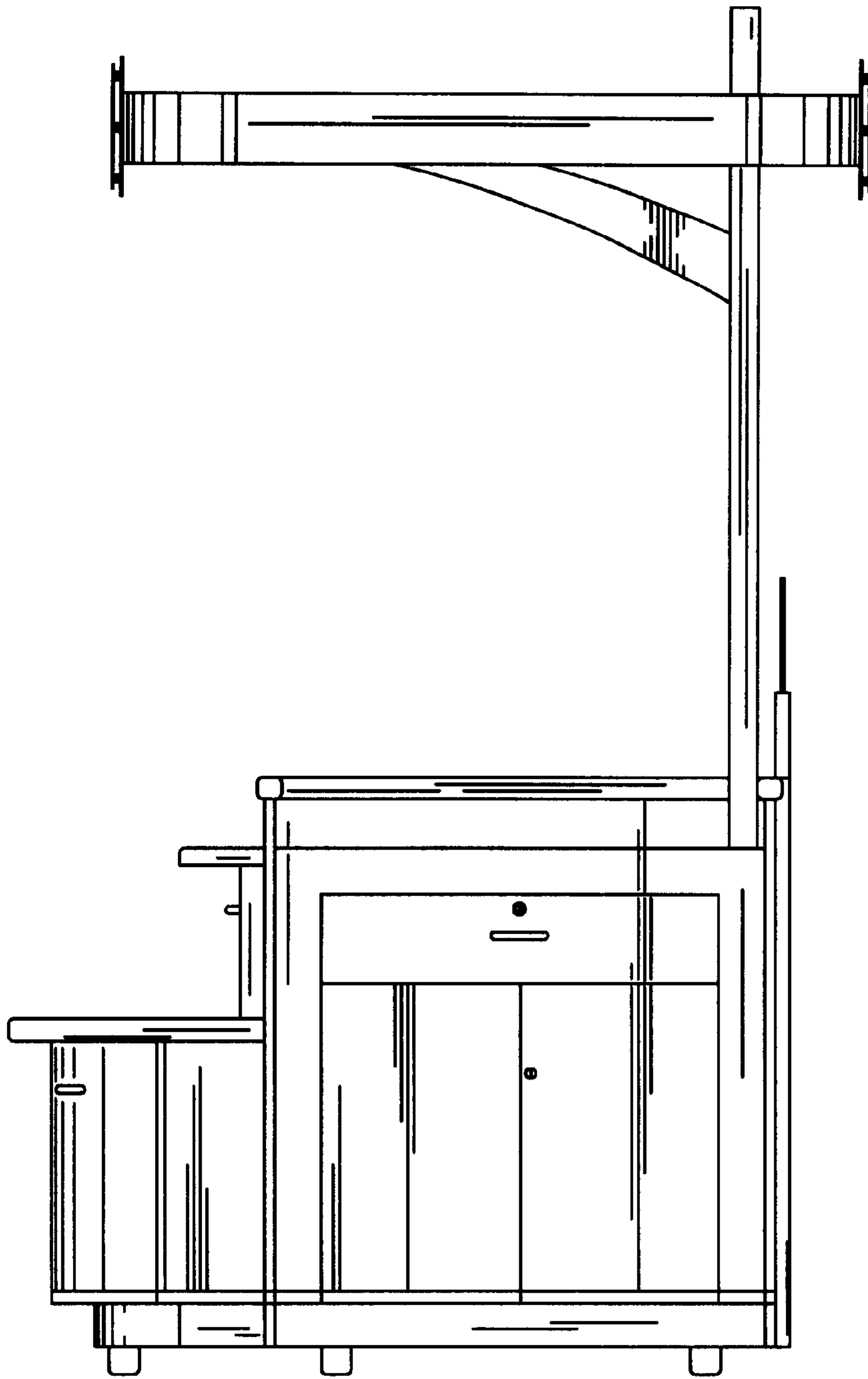


FIG. 3

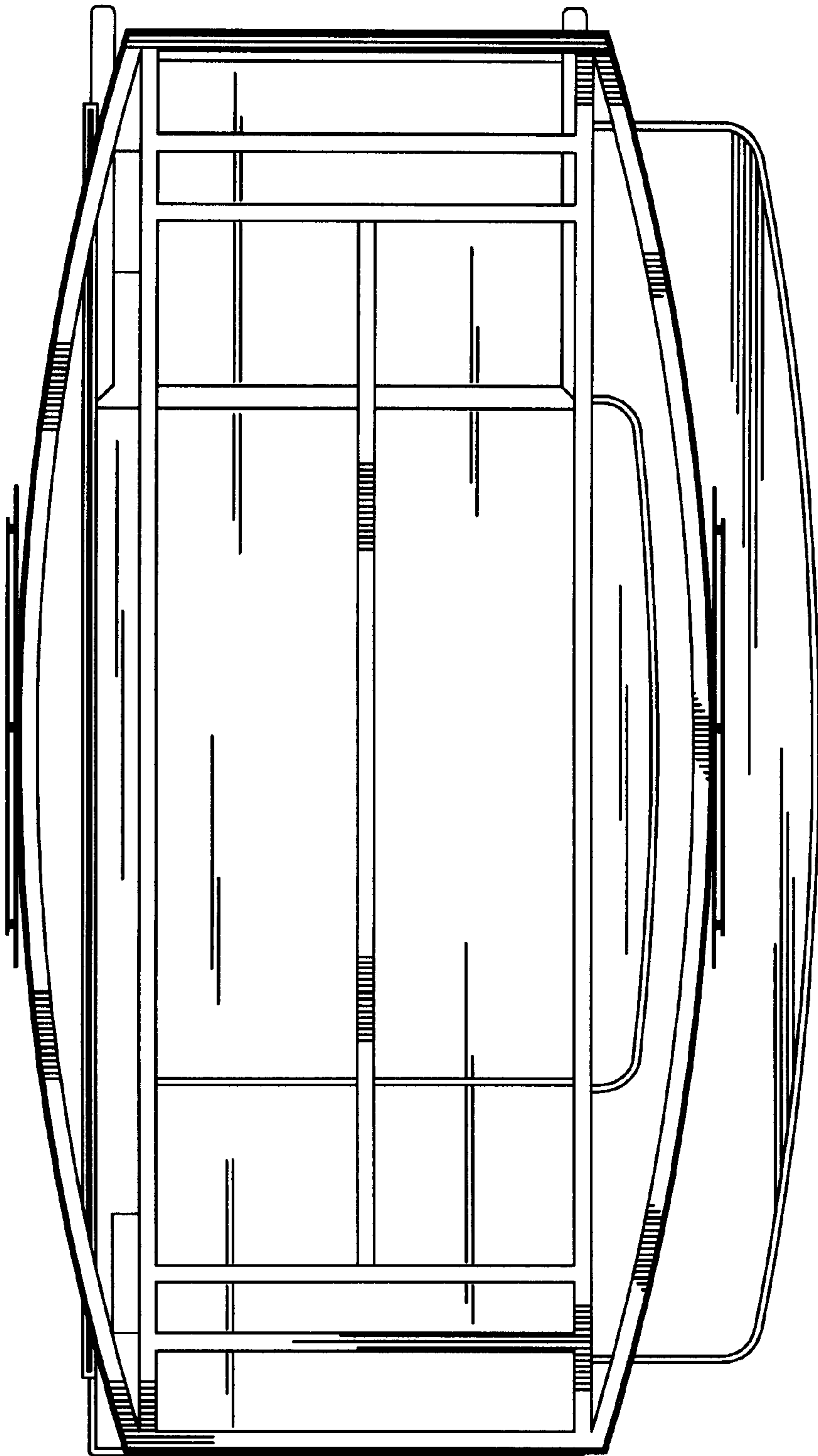


FIG. 4

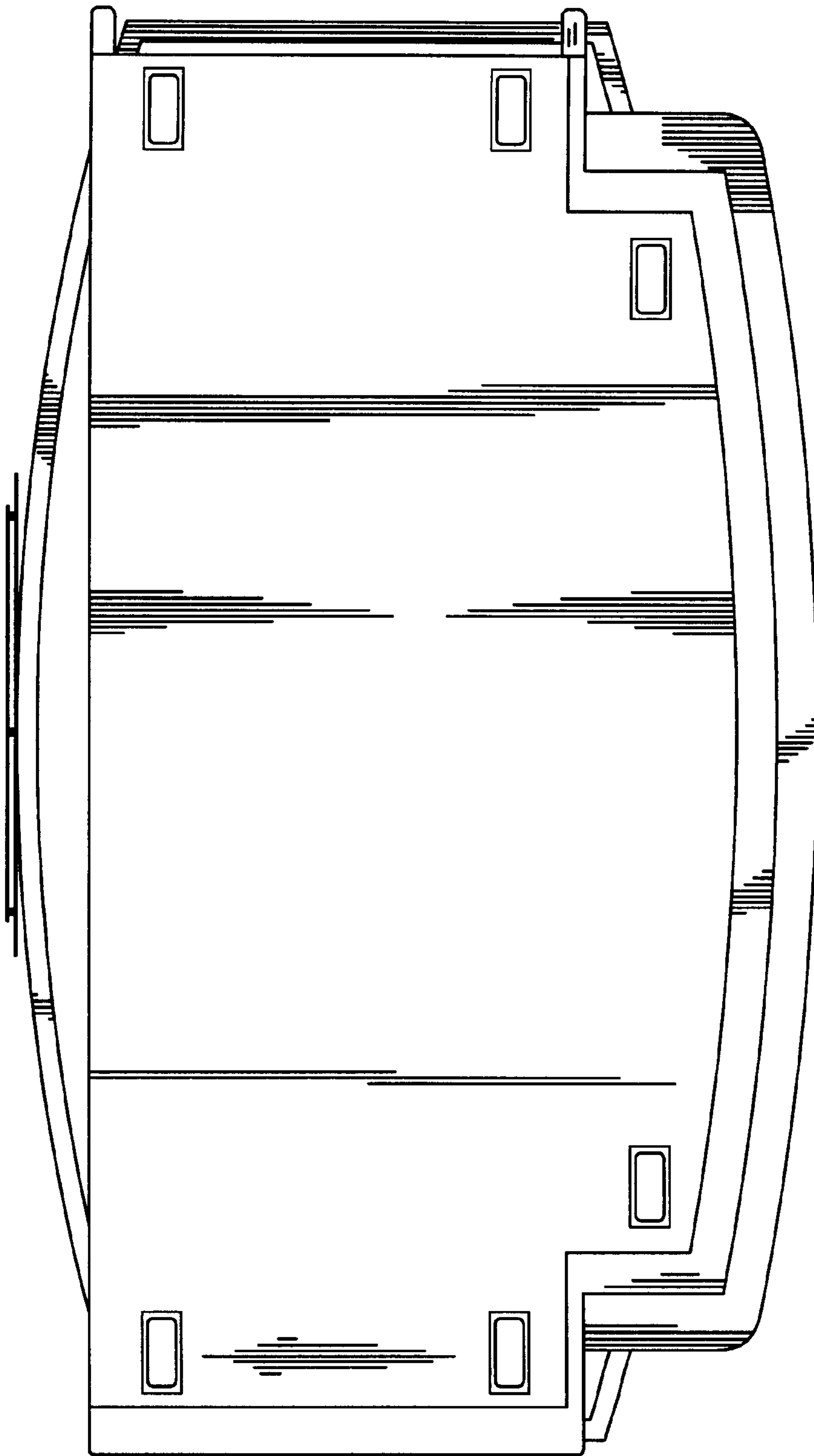


FIG. 5

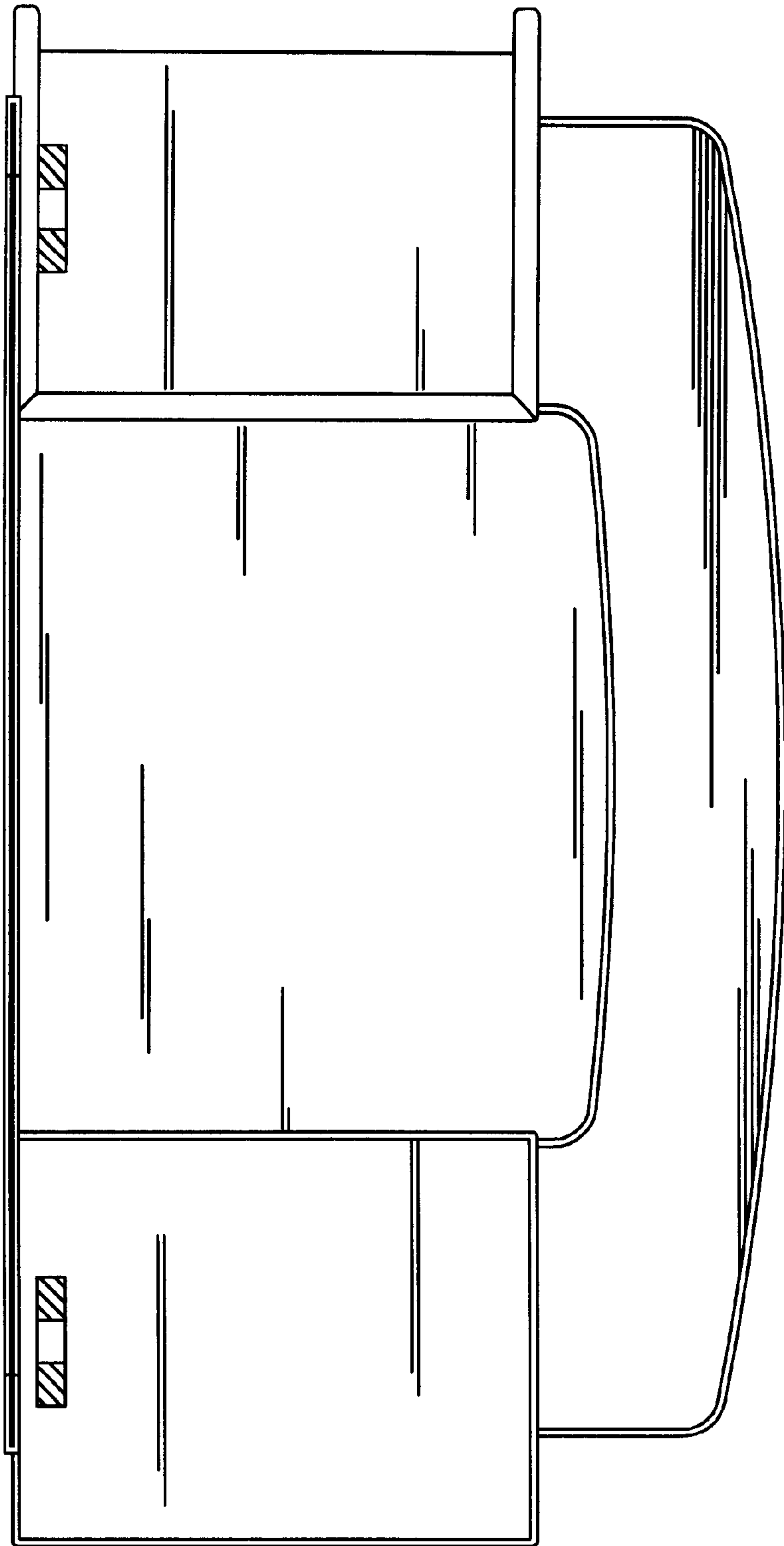


FIG. 6

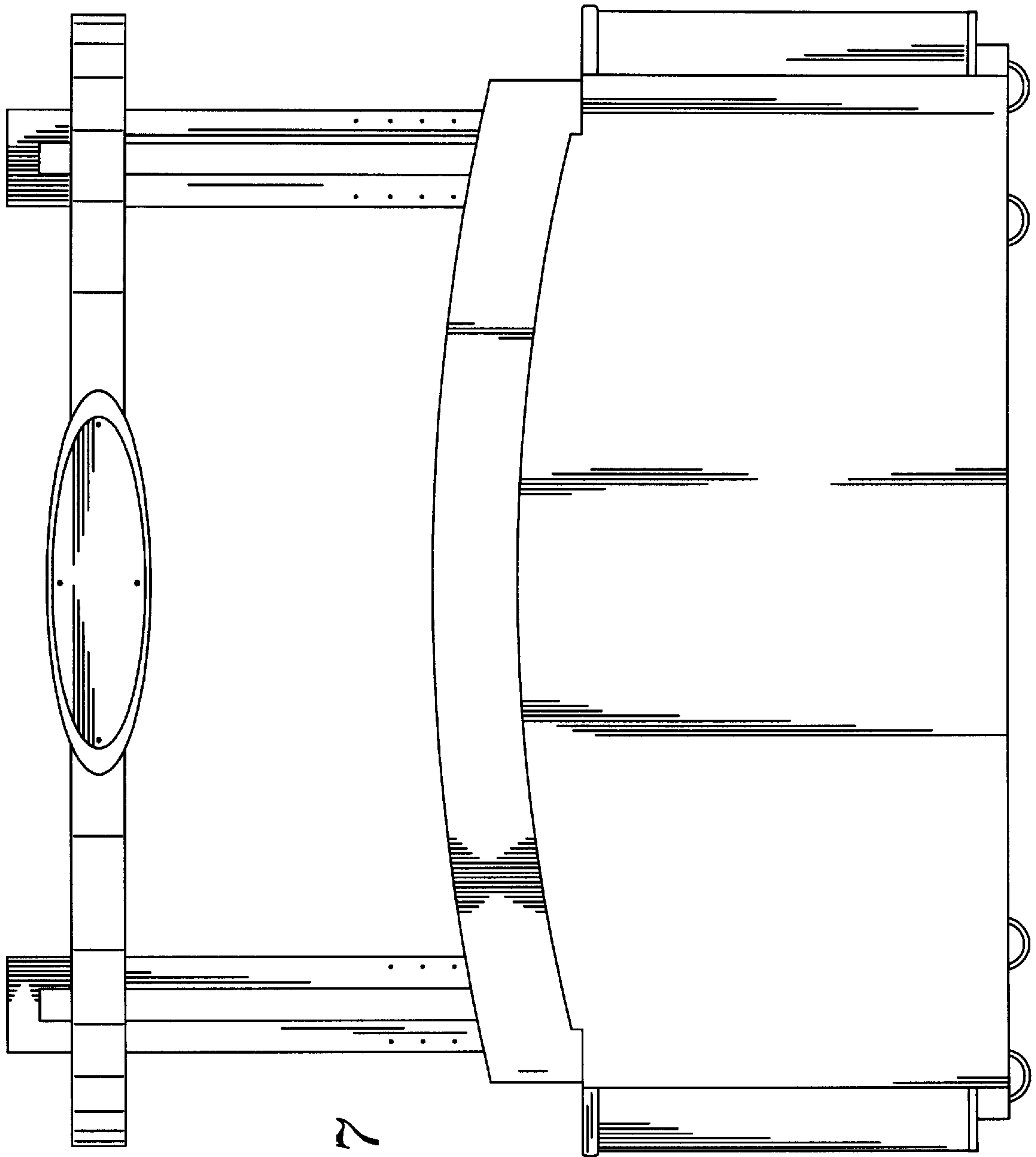


FIG. 7