



US00D463032S

(12) **United States Design Patent**
Hentz

(10) **Patent No.:** **US D463,032 S**

(45) **Date of Patent:** **** Sep. 17, 2002**

(54) **ADVERTISING KIOSK AND TELEPHONE BOOTH**

(76) Inventor: **Charles L. Hentz**, 2600 Wabash Ave., Northfield, NJ (US) 08225

(**) Term: **14 Years**

(21) Appl. No.: **29/117,905**

(22) Filed: **Feb. 1, 2000**

(51) **LOC (7) Cl.** **25-03**

(52) **U.S. Cl.** **D25/16**

(58) **Field of Search** D25/16; 52/27.5, 52/27, 28; D6/421; 40/446, 473

(56) **References Cited**

U.S. PATENT DOCUMENTS

| | | | | |
|-------------|----------|---------|-------|--------|
| D263,101 S | 2/1982 | George | | D6/157 |
| D263,102 S | 2/1982 | George | | D6/157 |
| D263,264 S | 3/1982 | George | | D6/157 |
| 4,754,582 A | 7/1988 | Cameron | | 52/27 |
| D305,689 S | * 1/1990 | Lerch | | D25/16 |
| D324,574 S | * 3/1992 | Holland | | D25/16 |

* cited by examiner

Primary Examiner—Doris Clark

(74) *Attorney, Agent, or Firm*—John H. Scarborough;
Robert R. Mallinckrodt

(57) **CLAIM**

The ornamental design for an advertising kiosk and telephone booth, substantially as shown and described.

DESCRIPTION

FIG. 1 is a front elevation of an advertising kiosk and telephone booth. Except for the supports and the telephone booth, the bottom of the kiosk itself is plain and not ornamental.

FIG. 2 is a right side elevation of the advertising kiosk and the telephone booth. The left side elevation is the mirror image of the right side elevation.

FIG. 3 is a rear elevation of the advertising kiosk and telephone booth.

FIG. 4 is a top plan view of the advertising kiosk and the telephone booth.

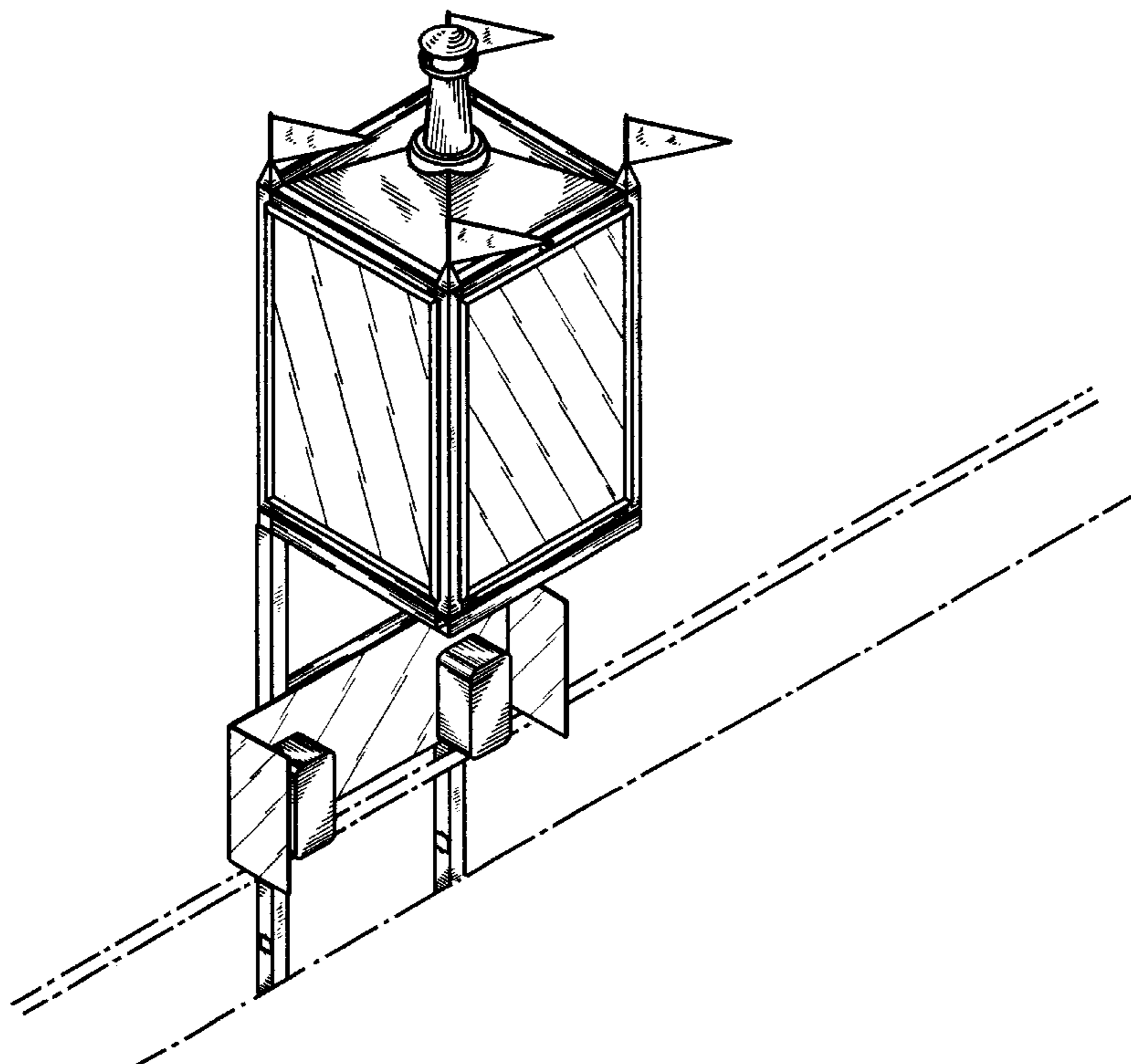
FIG. 5 is a perspective view of the advertising kiosk and telephone booth. A handrail and edge of a walkway are shown by phantom lines which do not form a part of the claimed design.

FIG. 6 is a front elevation of a second embodiment showing the advertising kiosk without the telephone booth. Except for the supports, the bottom of the kiosk is essentially plain and not ornamental. The rear elevation is the mirror image of the front elevation.

FIG. 7 is a right side elevation of the second embodiment. The left side elevation is the mirror image of the right side elevation.

FIG. 8 is a top plan view of the second embodiment; and, FIG. 9 is a perspective view of the second embodiment.

1 Claim, 9 Drawing Sheets



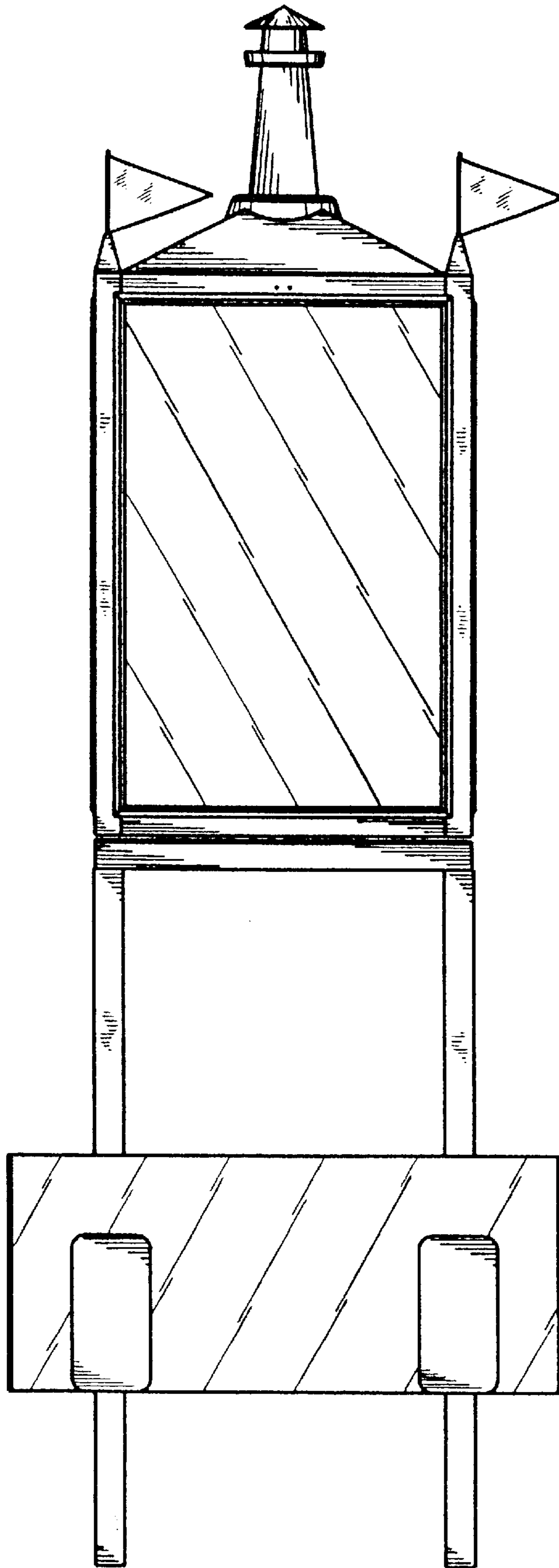


FIG. 1

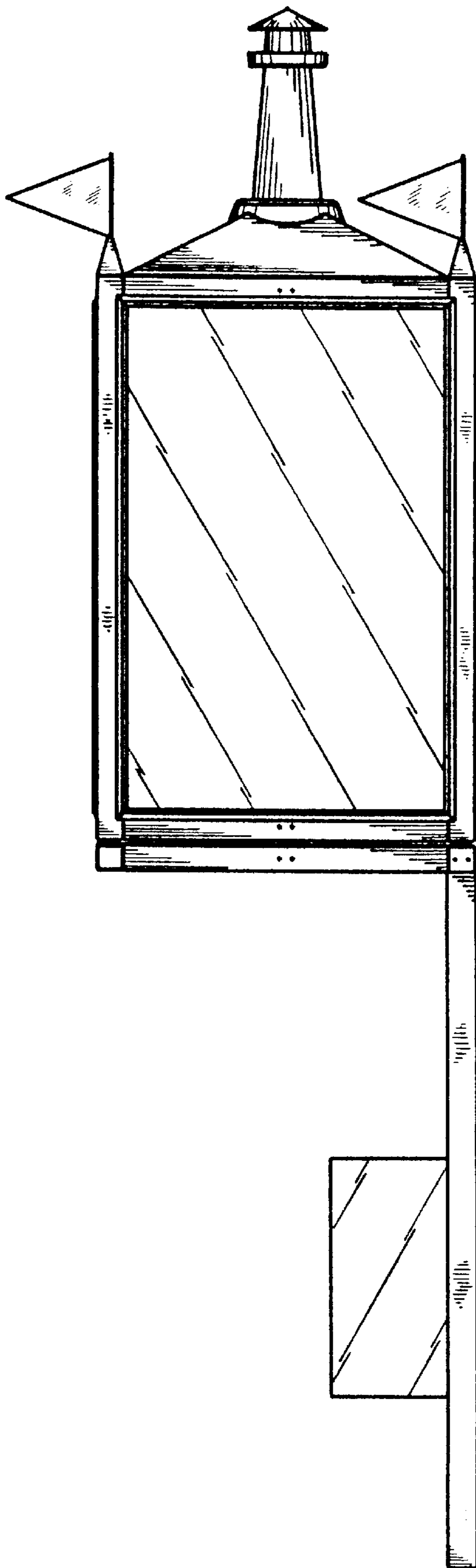


FIG. 2

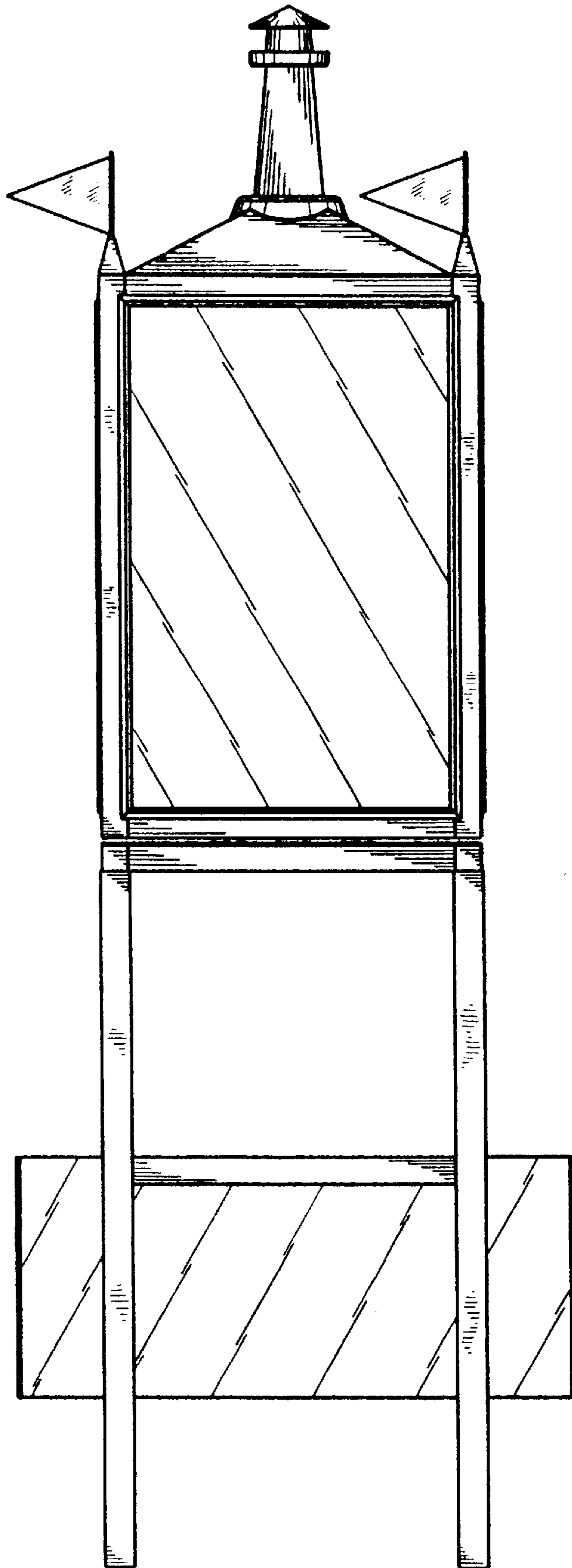


FIG. 3

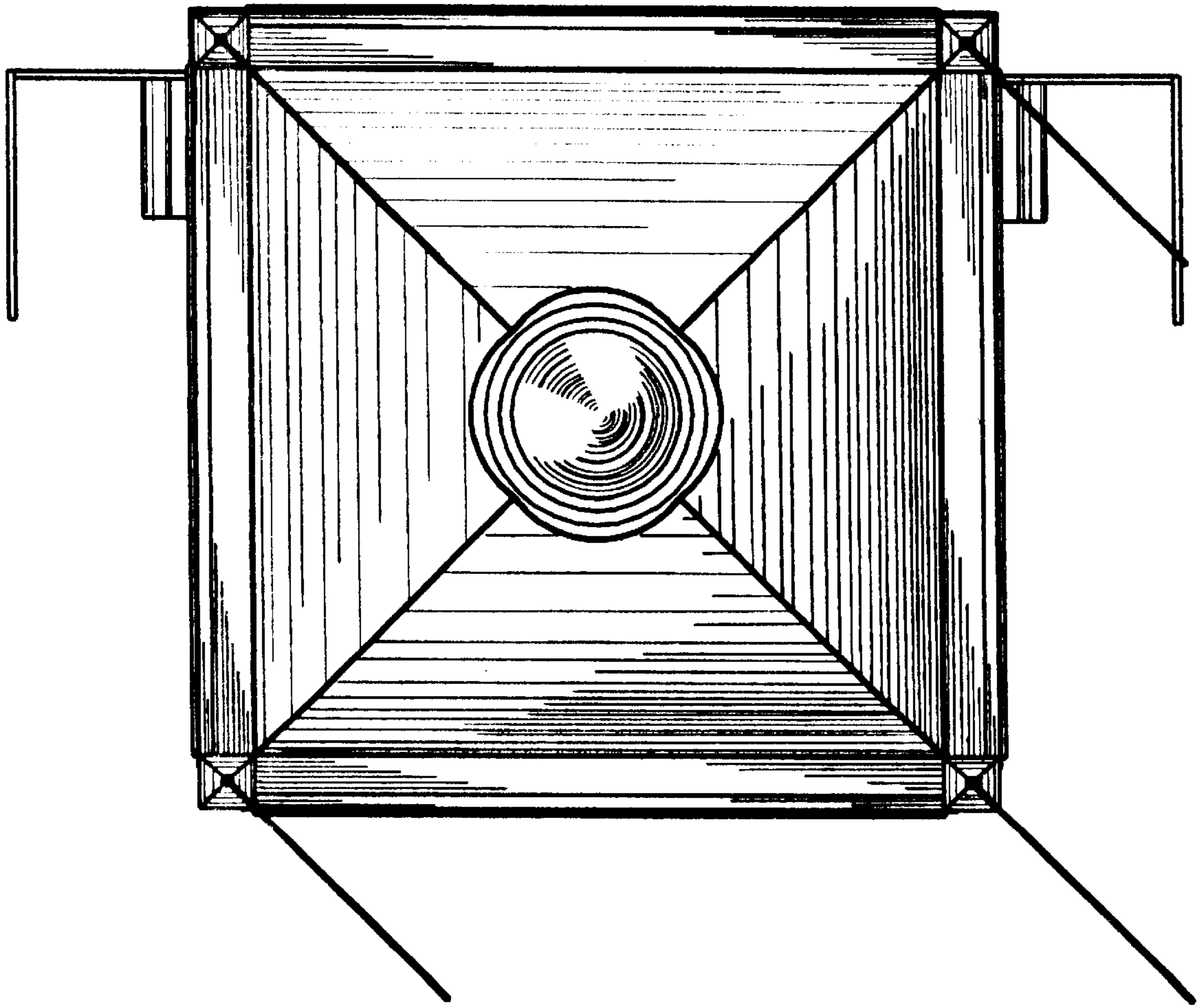


FIG. 4

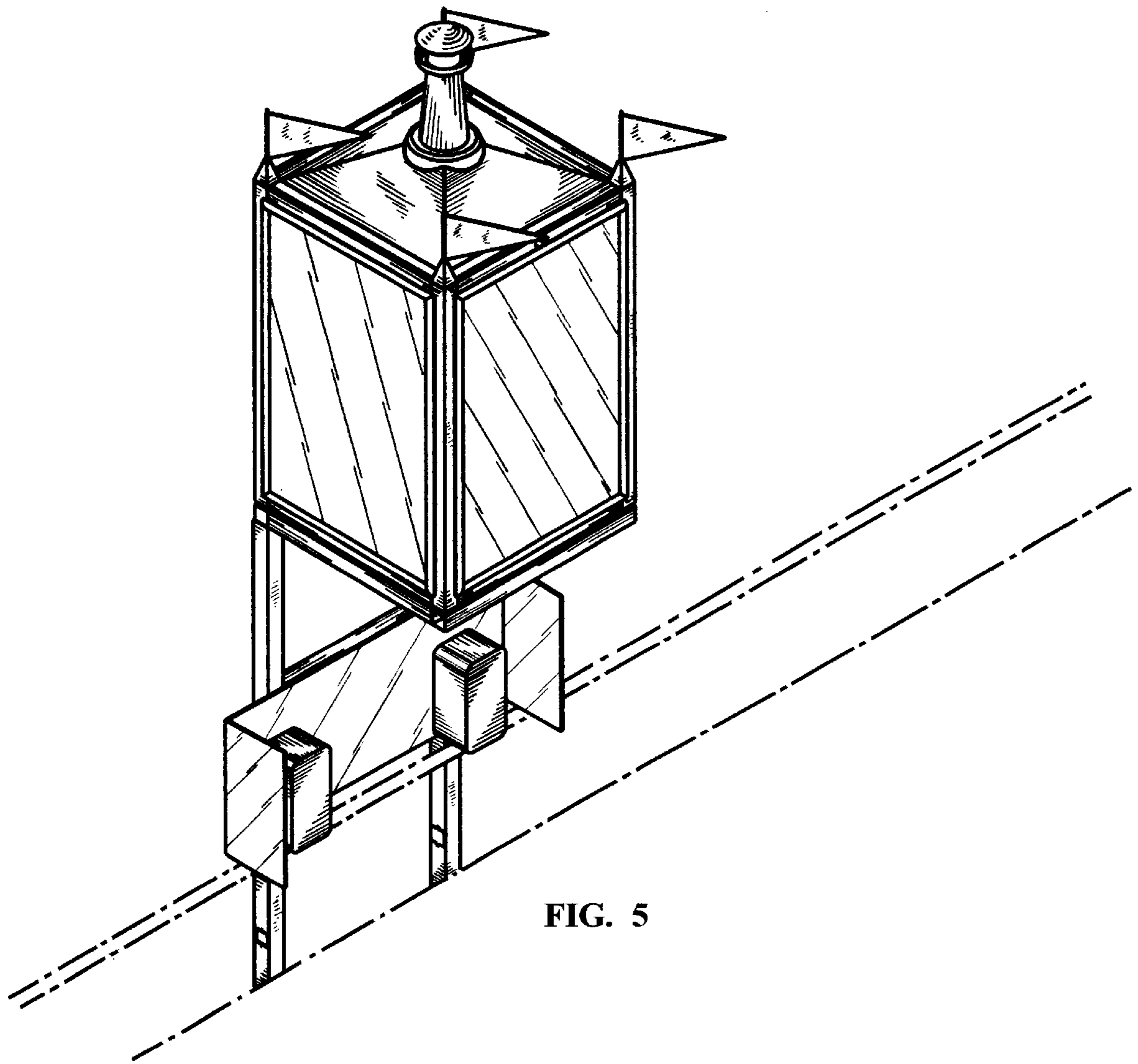


FIG. 5

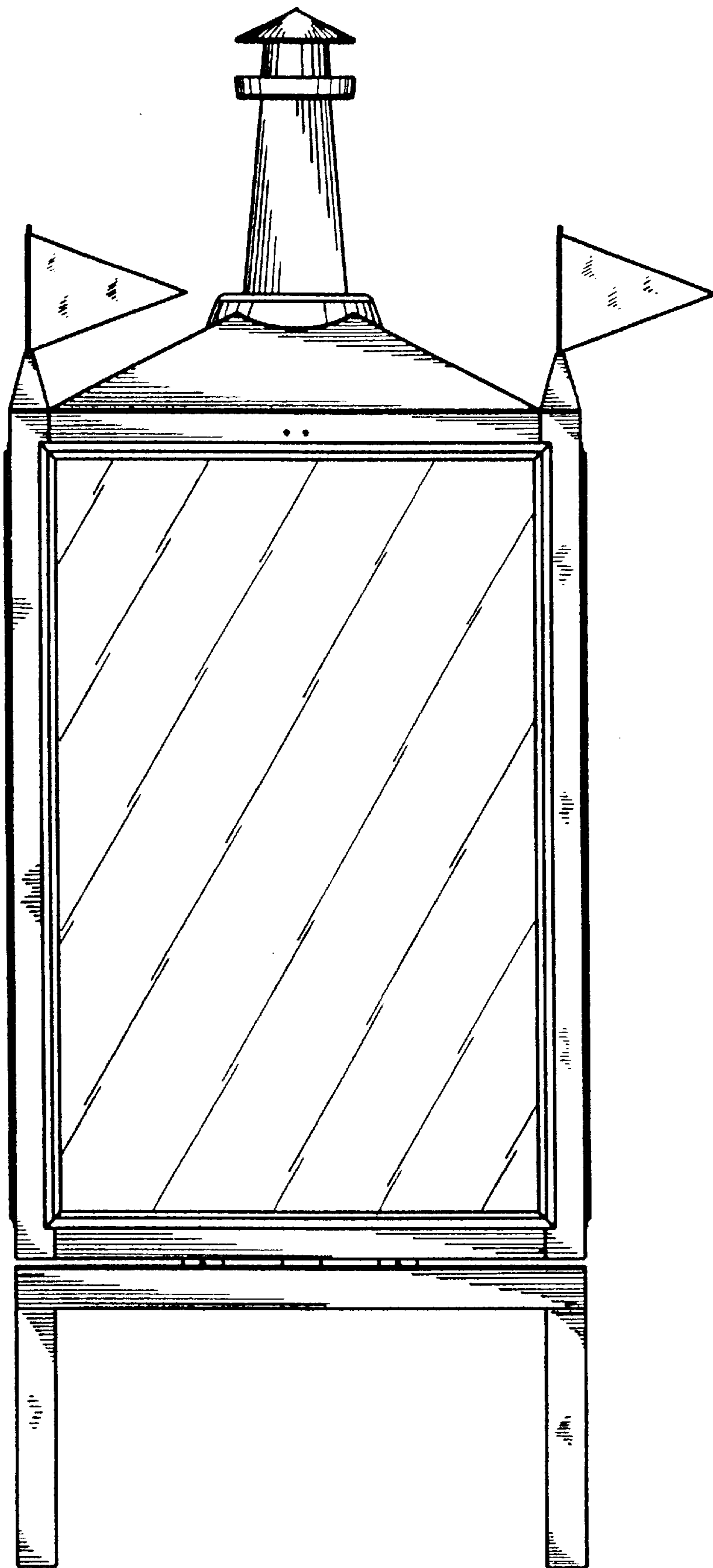


FIG. 6

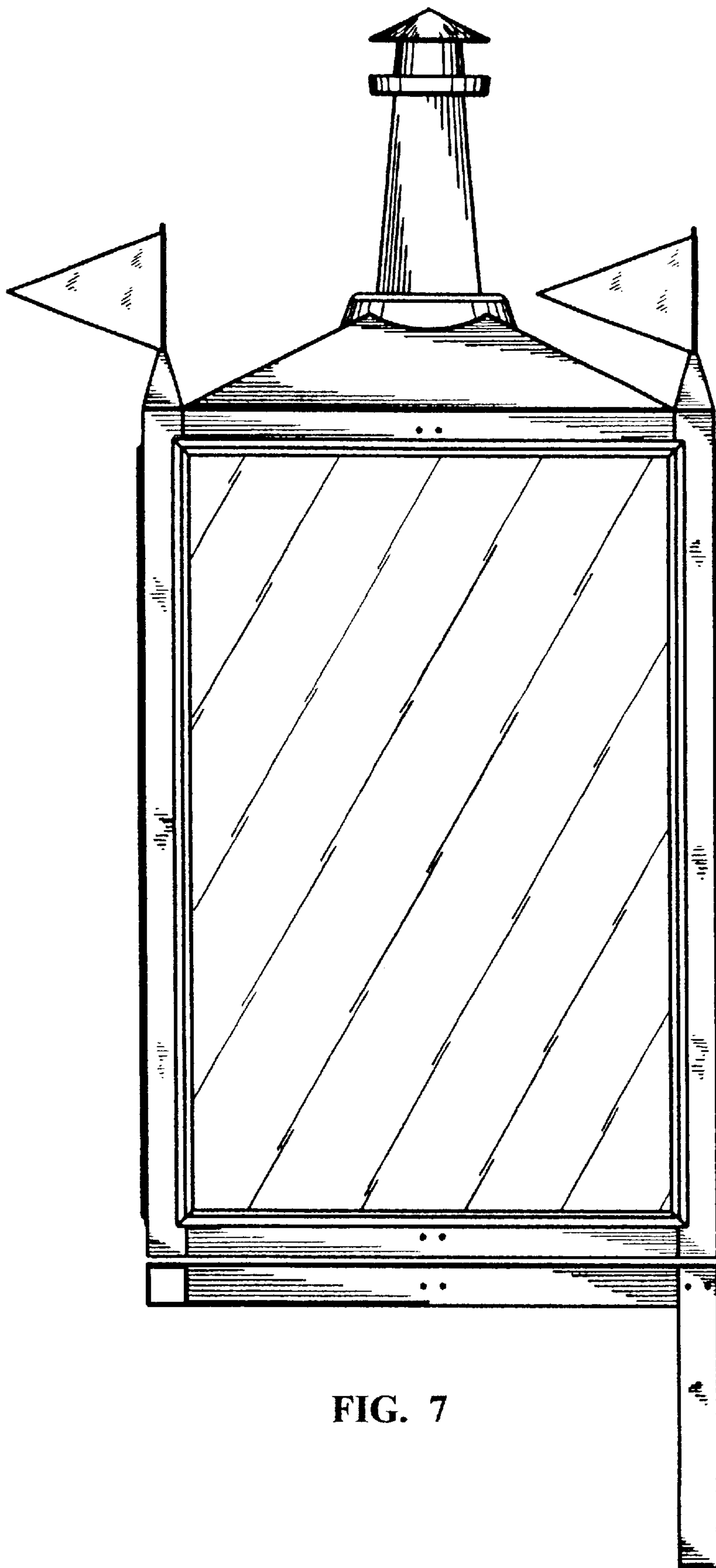


FIG. 7

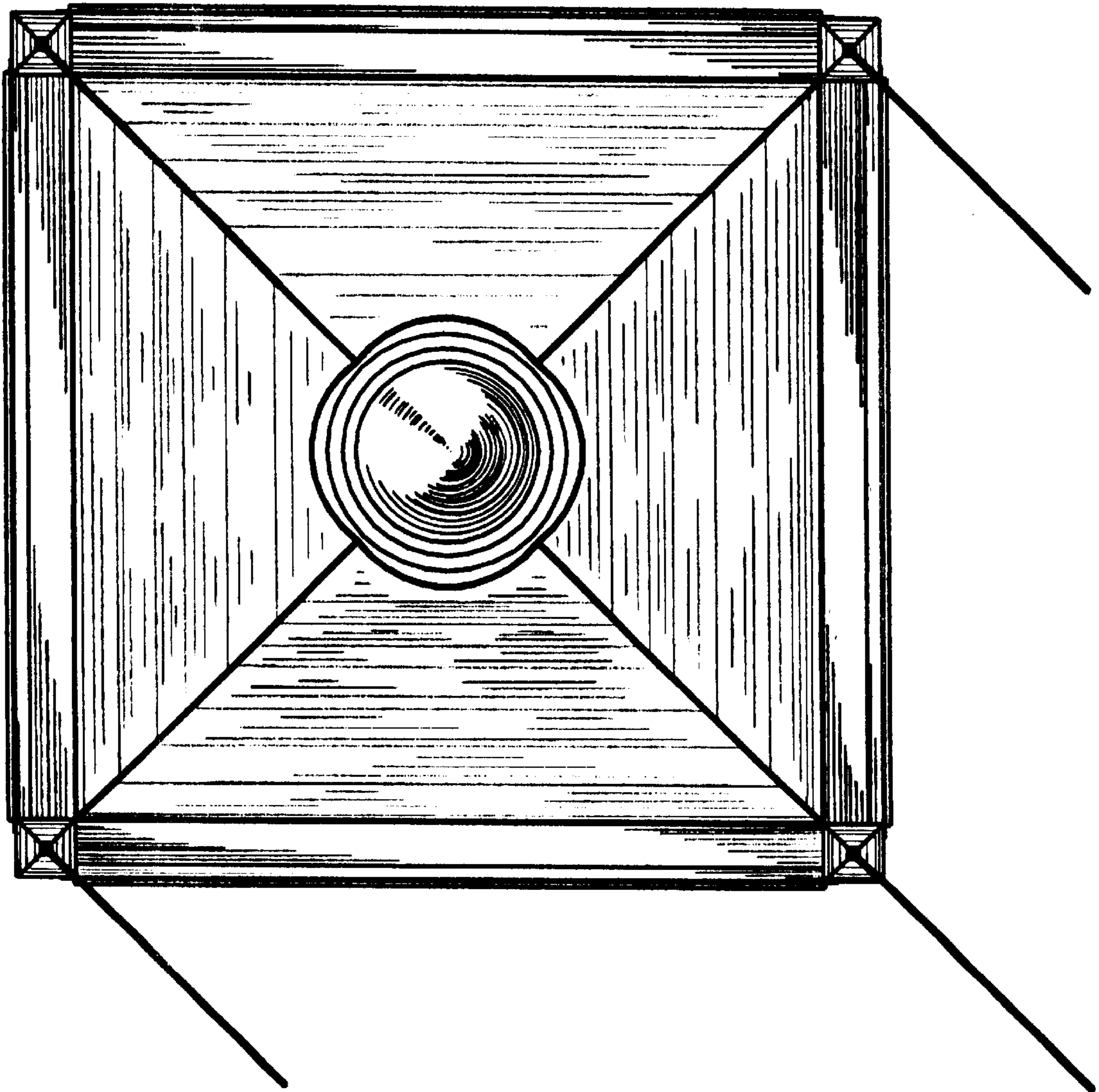


FIG. 8

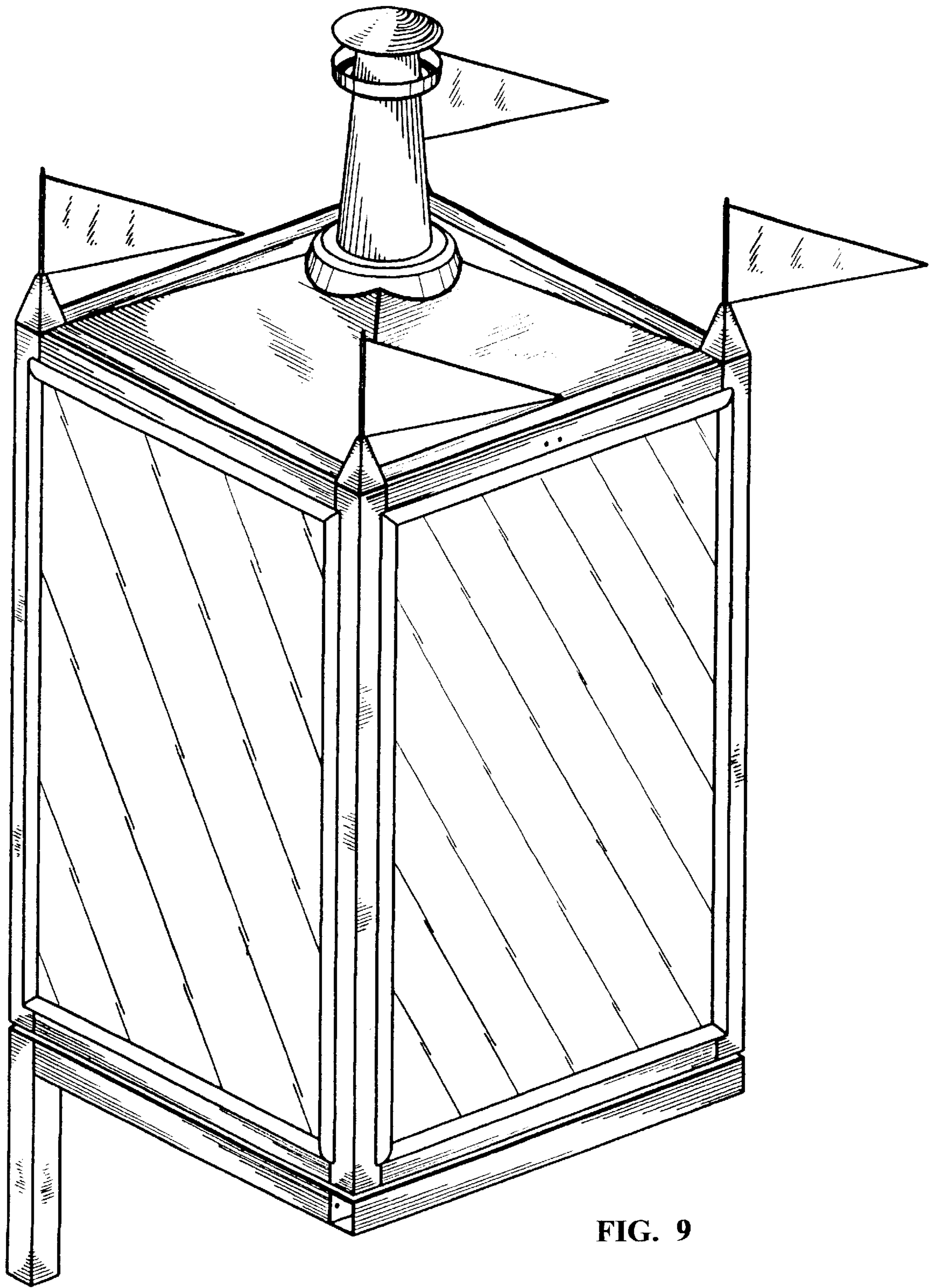


FIG. 9