



US00D463031S

(12) **United States Design Patent**
Slomski et al.

(10) **Patent No.: US D463,031 S**

(45) **Date of Patent: ** *Sep. 17, 2002**

(54) **MICROVOLUME SAMPLE PLATE**

(75) Inventors: **David Slomski**, Cupertino; **Travis Boone**, San Mateo; **Sharat Singh**, San Jose, all of CA (US)

(73) Assignee: **ACLARA BioSciences, Inc.**, Mountain View, CA (US)

(*) Notice: This patent is subject to a terminal disclaimer.

(**) Term: **14 Years**

(21) Appl. No.: **29/131,142**

(22) Filed: **Oct. 11, 2000**

(51) **LOC (7) Cl. 24-01**

(52) **U.S. Cl. D24/226; D24/216; D24/224**

(58) **Field of Search D24/230, 226, D24/227; 422/101, 102, 104, 56, 948; 435/288.4, 305.1, 305.2, 305.3, 305.4**

(56) **References Cited**

U.S. PATENT DOCUMENTS

3,356,462 A * 12/1967 Cooke et al. D24/226

4,936,152 A * 6/1990 Aldred D24/230
D338,965 S * 8/1993 Glanz et al. D24/226
5,650,323 A * 7/1997 Root 422/101
D420,743 S * 2/2000 Monks D24/224
6,039,804 A * 3/2000 Kim et al. D24/224

* cited by examiner

Primary Examiner—Ian Simmons

(74) *Attorney, Agent, or Firm*—Peter J. Dehl

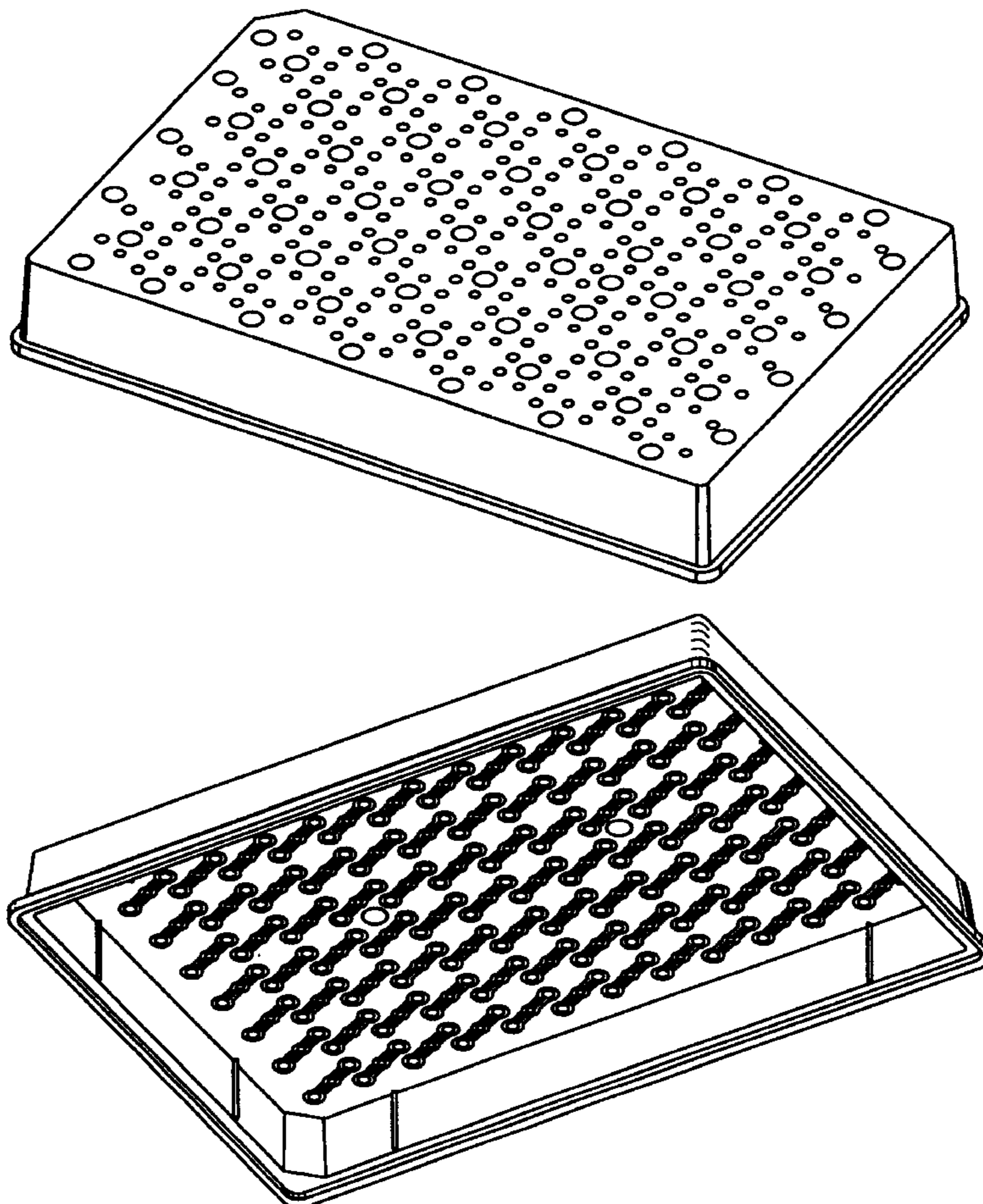
(57) **CLAIM**

The ornamental design for a microvolume sample plate, substantially as shown and described.

DESCRIPTION

FIG. 1 is a top perspective view of a microvolume sample plate, showing our new design;
FIG. 2 is a bottom perspective view thereof;
FIG. 3 is an enlarged bottom perspective view thereof, showing a corner portion of the plate;
FIG. 4 is a top plan view thereof;
FIG. 5 is a bottom plan view thereof; and,
FIG. 6 is an enlarged view of the bottom plan thereof, showing one of the bottom pattern detail as seen in FIGS. 2 and 5.

1 Claim, 6 Drawing Sheets



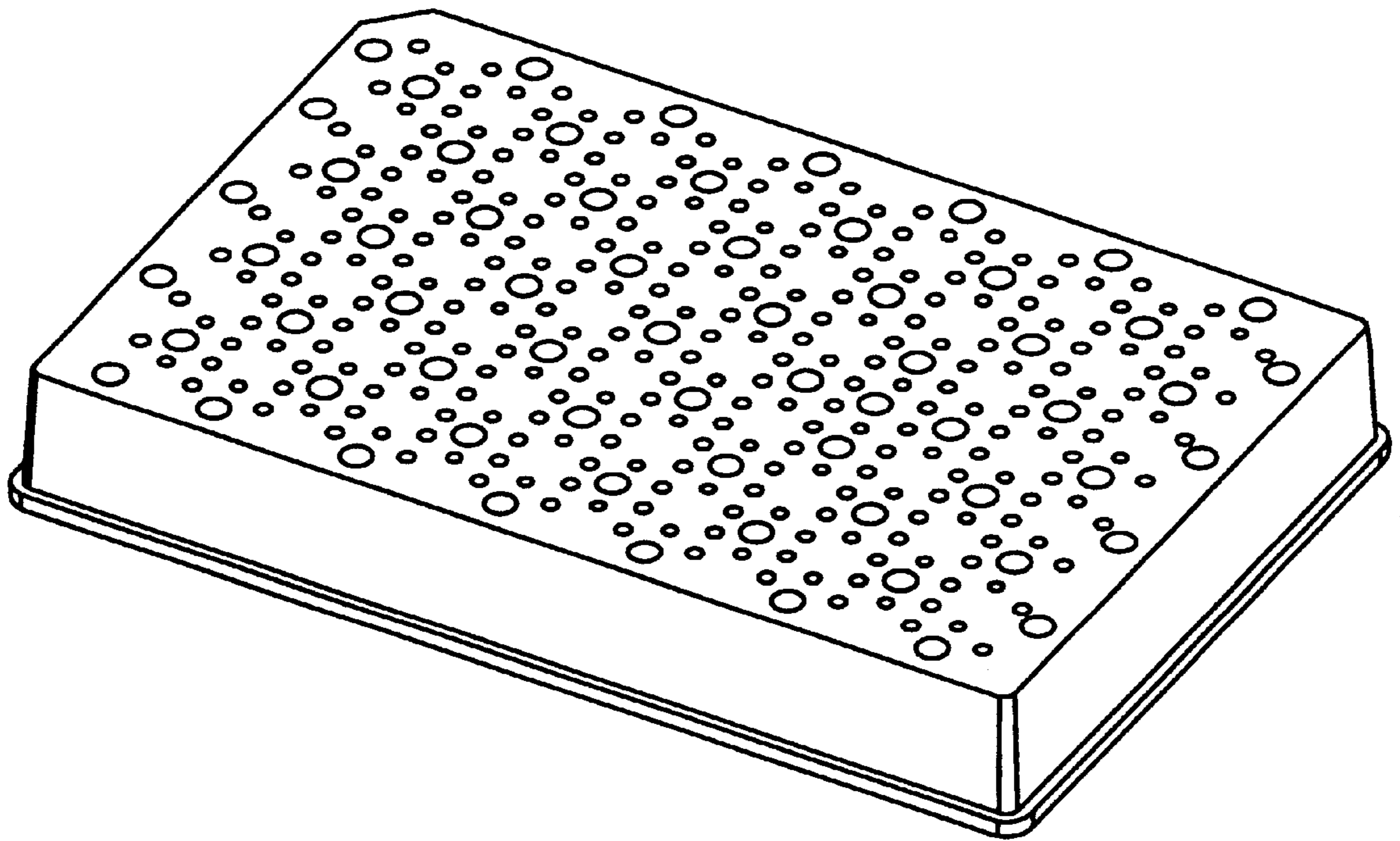


Fig. 1

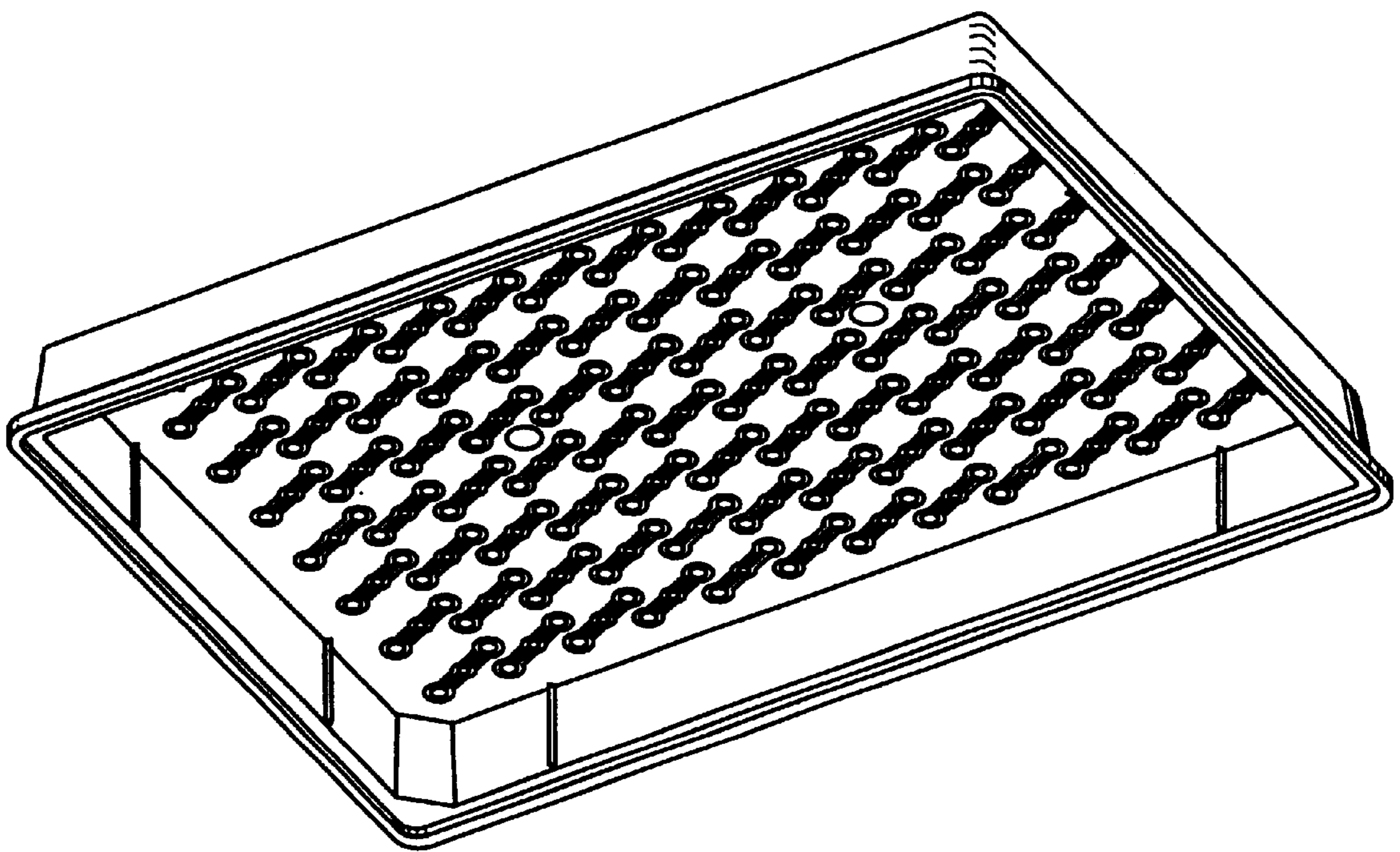


Fig. 2

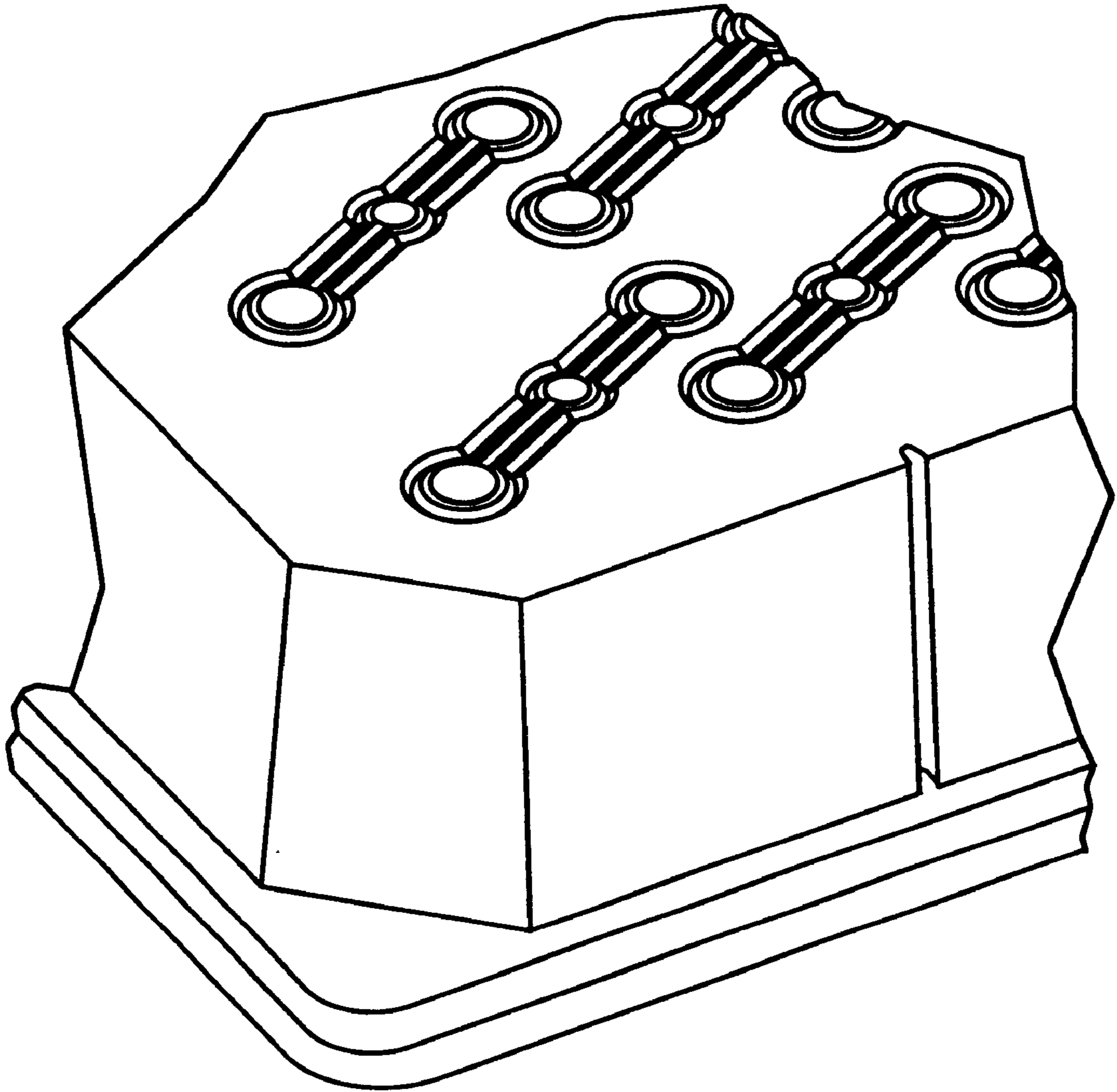


Fig. 3

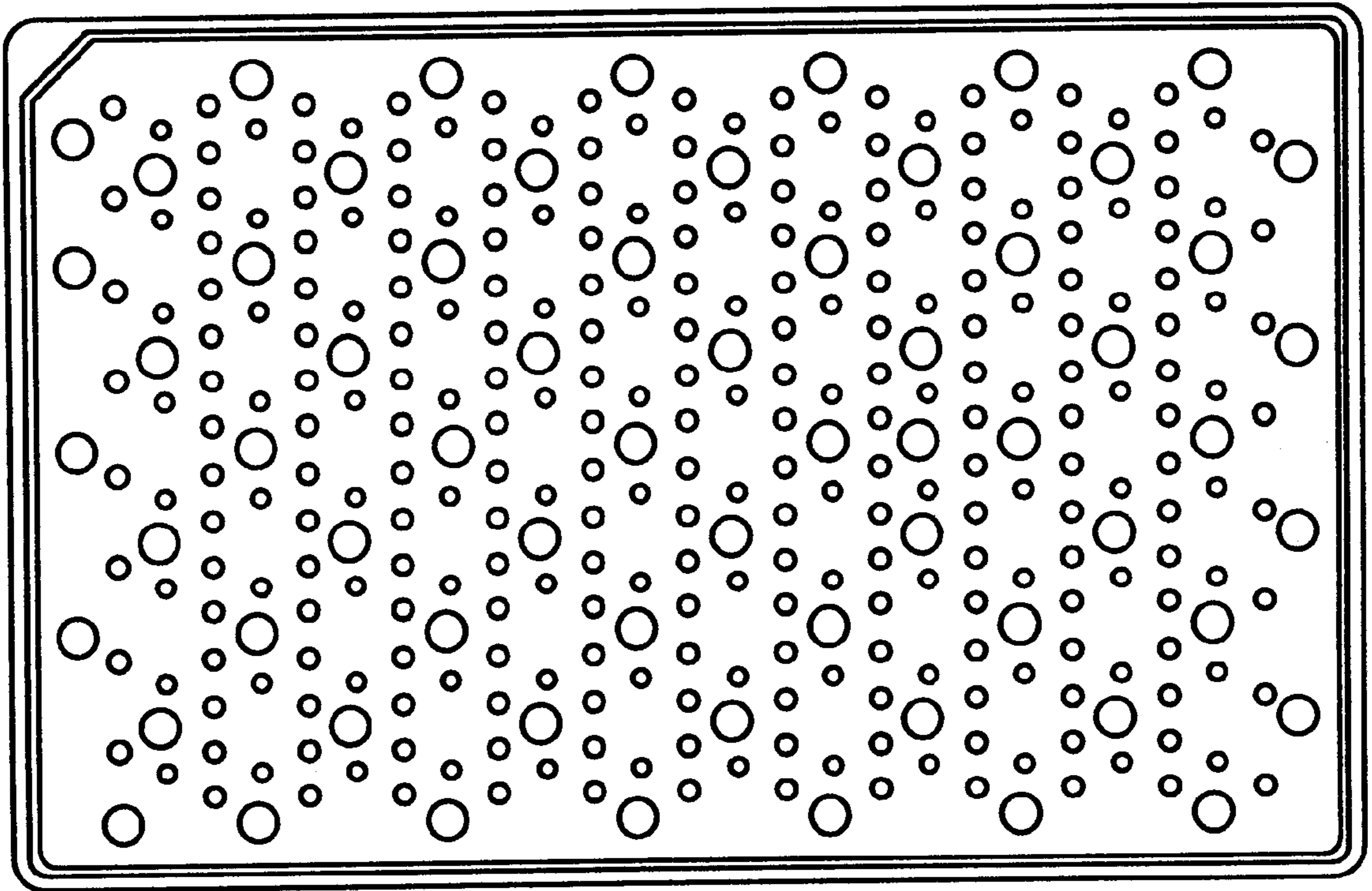


Fig. 4

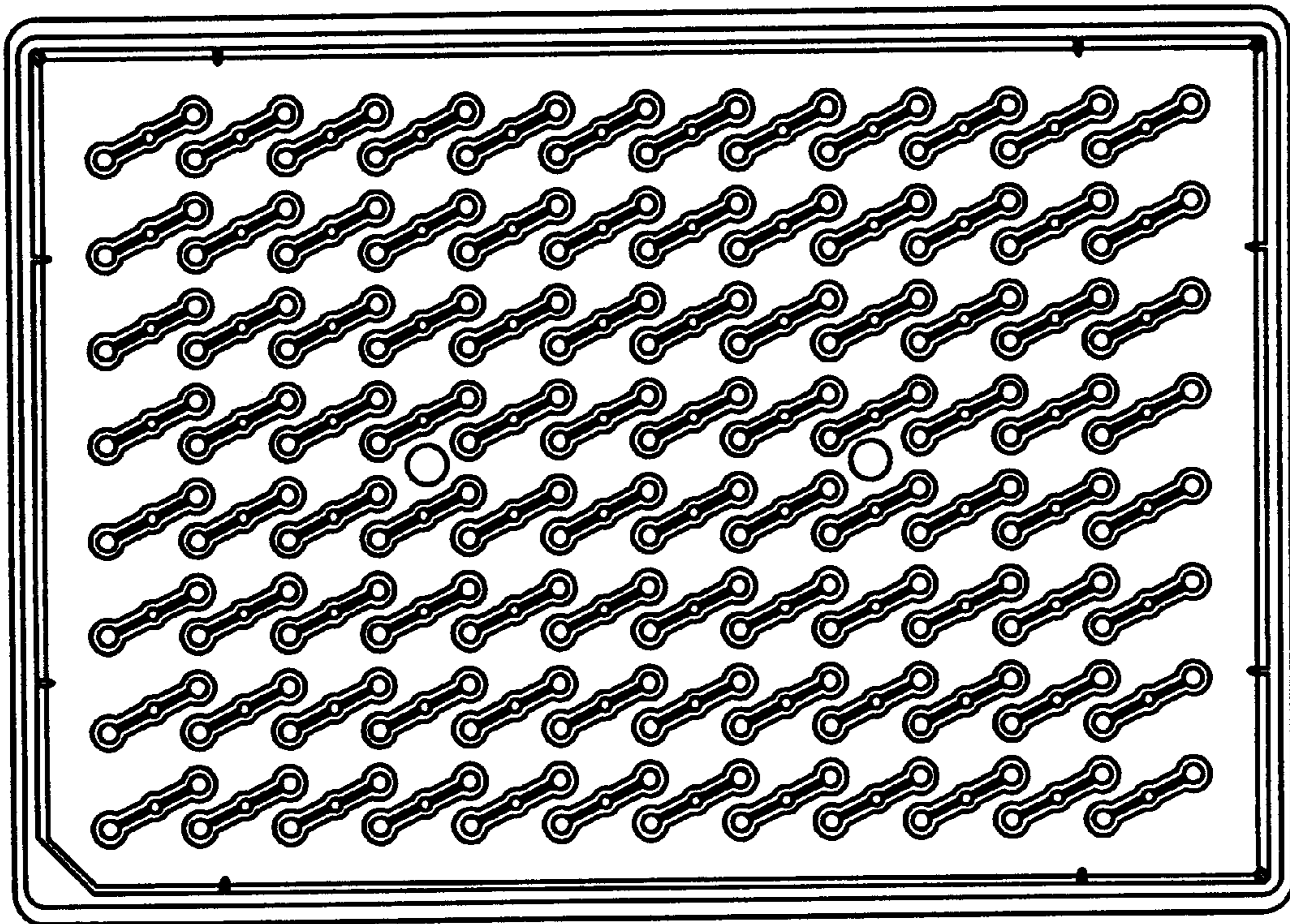


Fig. 5

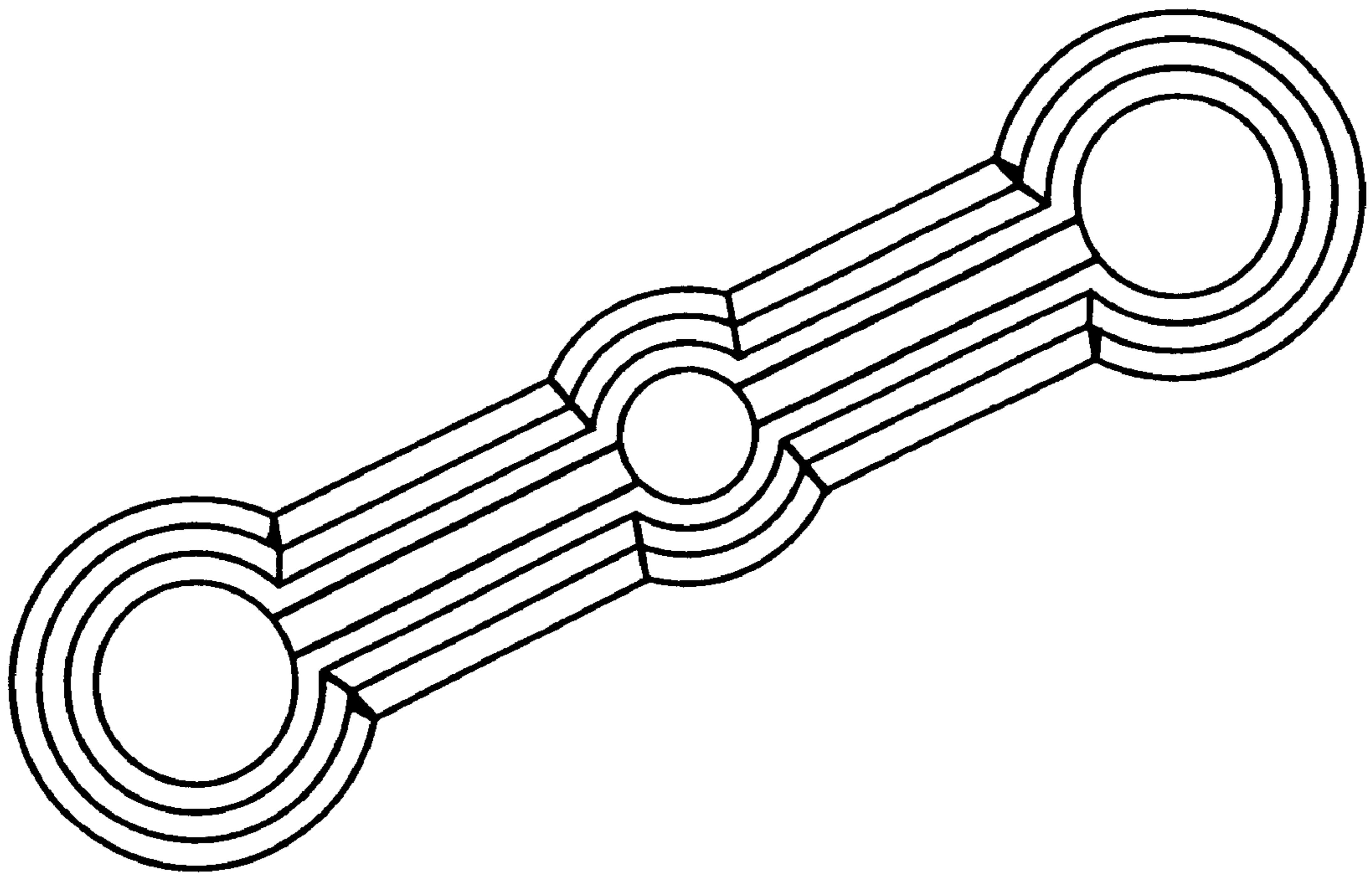


Fig. 6