



US00D463029S

(12) **United States Design Patent**  
**Collins**

(10) **Patent No.:** **US D463,029 S**

(45) **Date of Patent:** **\*\* Sep. 17, 2002**

(54) **MESSAGE WAND**

D448,851 S \* 10/2001 Louis ..... D24/211

(76) **Inventor:** **Thomas M. Collins**, 7506 Monet Pl.,  
Rohnert Park, CA (US) 94928

\* cited by examiner

(\*\*) **Term:** **14 Years**

*Primary Examiner*—Stella Reid

(74) *Attorney, Agent, or Firm*—Larry D. Johnson; Craig M. Stainbrook; Johnson & Stainbrook

(21) **Appl. No.:** **29/151,647**

(57) **CLAIM**

(22) **Filed:** **Dec. 5, 2001**

The ornamental design for a massage wand, as shown and described.

(51) **LOC (7) Cl.** ..... **28-03**

**DESCRIPTION**

(52) **U.S. Cl.** ..... **D24/211; D24/214**

(58) **Field of Search** ..... D24/200, 211,  
D24/214; 601/118, 119, 120, 122, 133,  
134, 135, 136, 137

FIG. 1 is a perspective view of a massage wand, showing my new design with a strap attached and it being shown in broken lines for illustrative purposes only and forming no part of the claimed design;

(56) **References Cited**

FIG. 2 is a side elevational view thereof with the strap removed;

**U.S. PATENT DOCUMENTS**

4,493,315	A	*	1/1985	Iwahashi	.....	601/135
4,712,539	A	*	12/1987	Kim	.....	601/120
4,944,747	A	*	7/1990	Newth et al.	.....	606/204
D359,358	S	*	6/1995	Pecora et al.	.....	D24/211
D361,841	S	*	8/1995	Terashima	.....	D24/211
D398,400	S	*	9/1998	Havelind	.....	D24/211

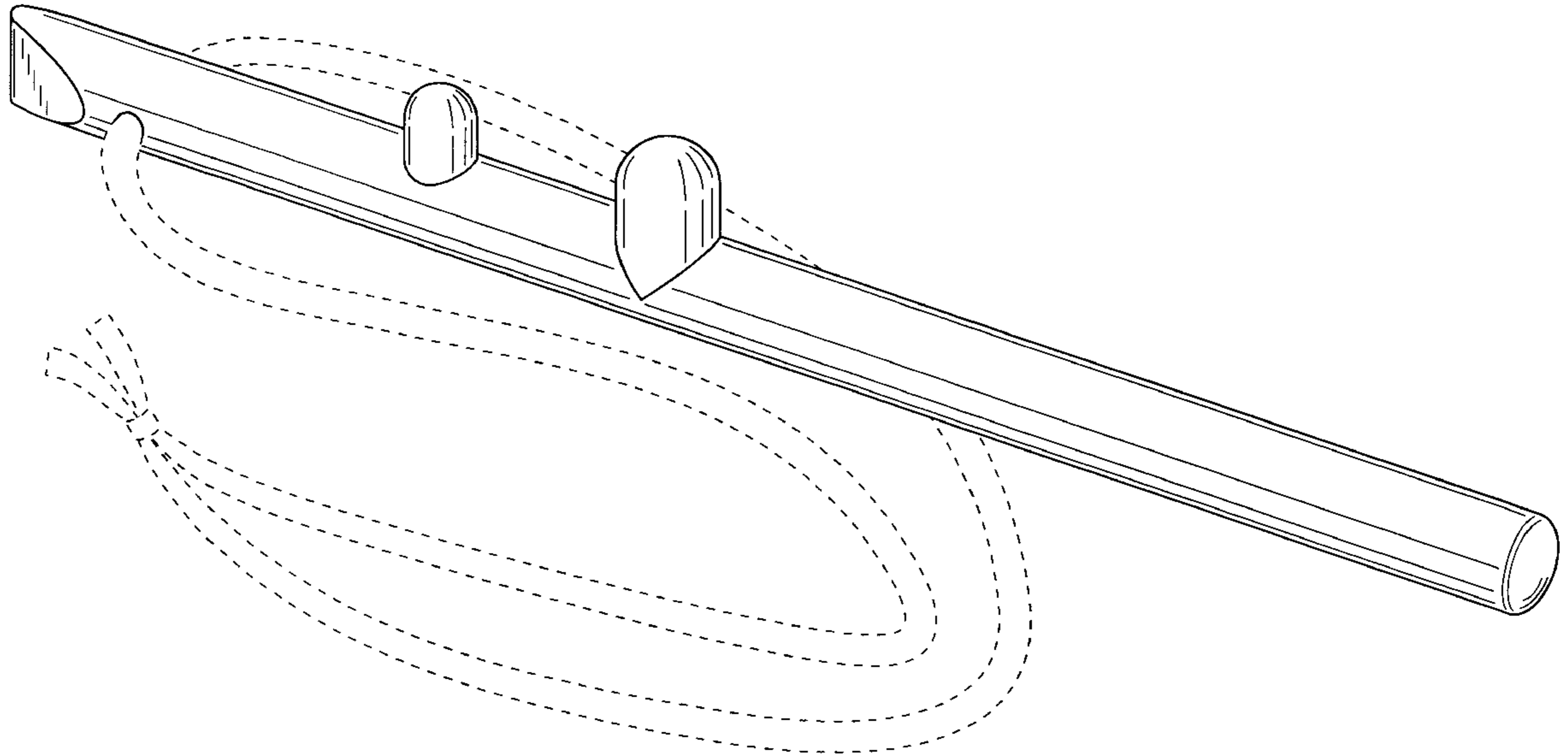
FIG. 3 is a right end elevational view thereof;

FIG. 4 is a left end elevational view thereof;

FIG. 5 is a top view thereof; and,

FIG. 6 is a bottom view thereof.

**1 Claim, 2 Drawing Sheets**



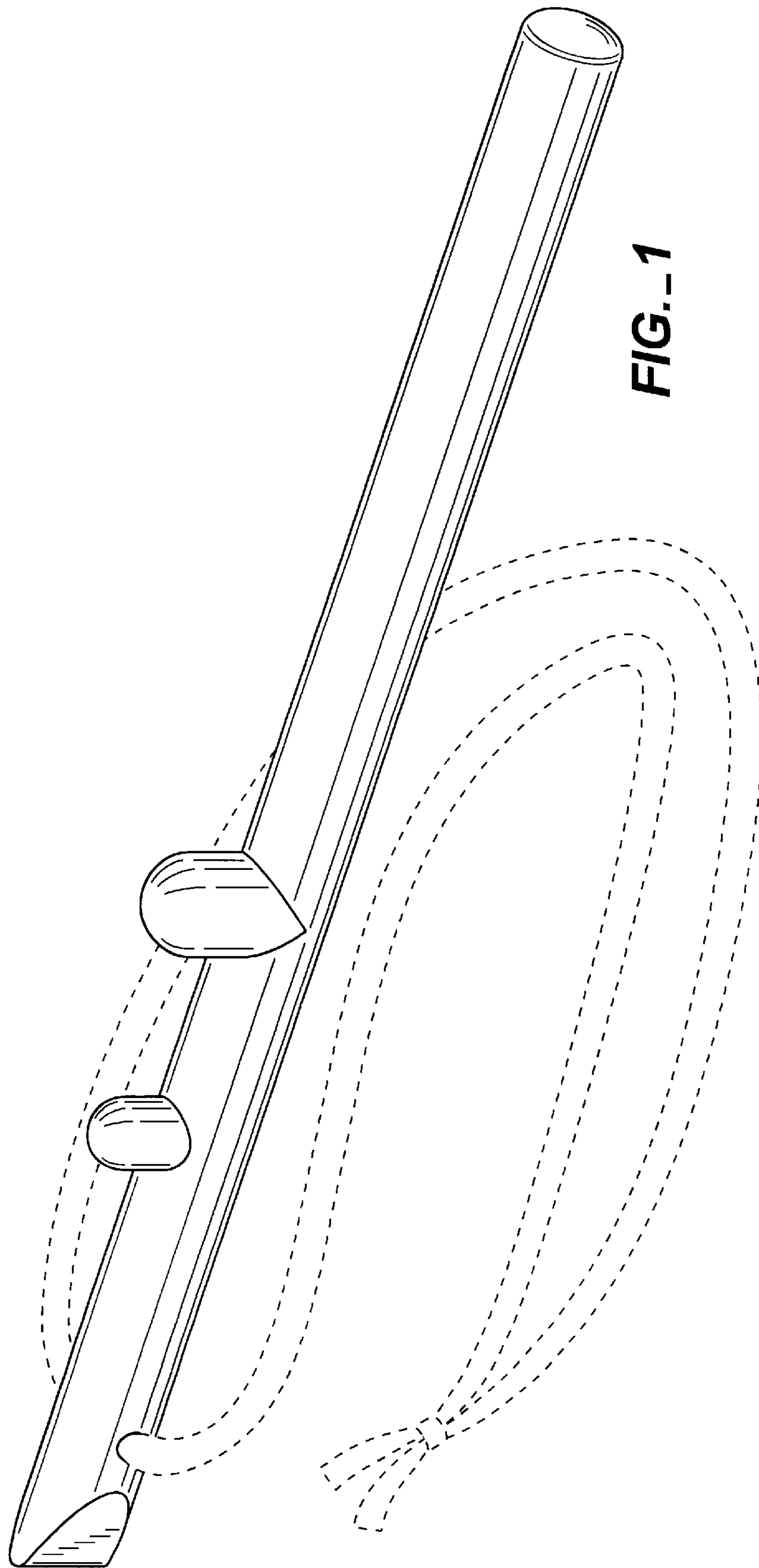
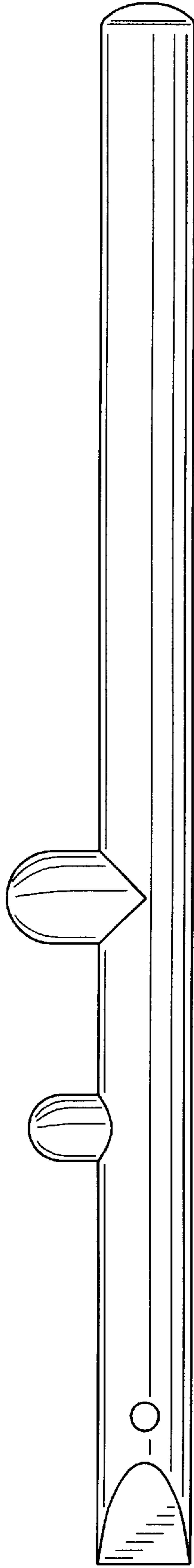
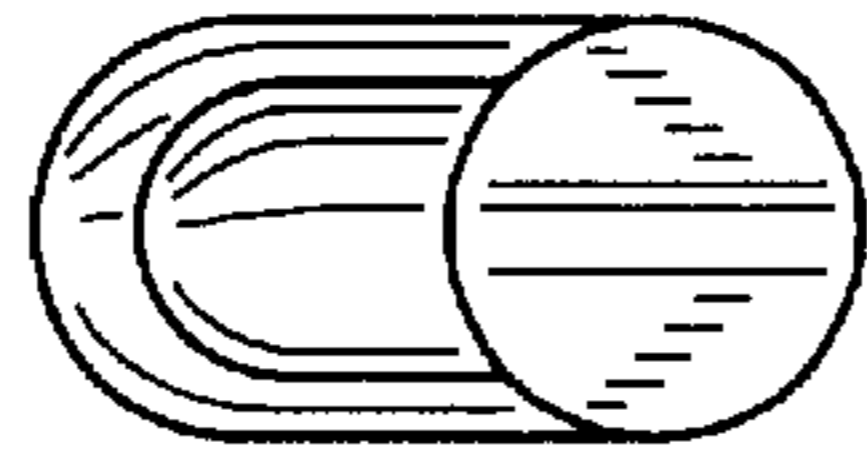


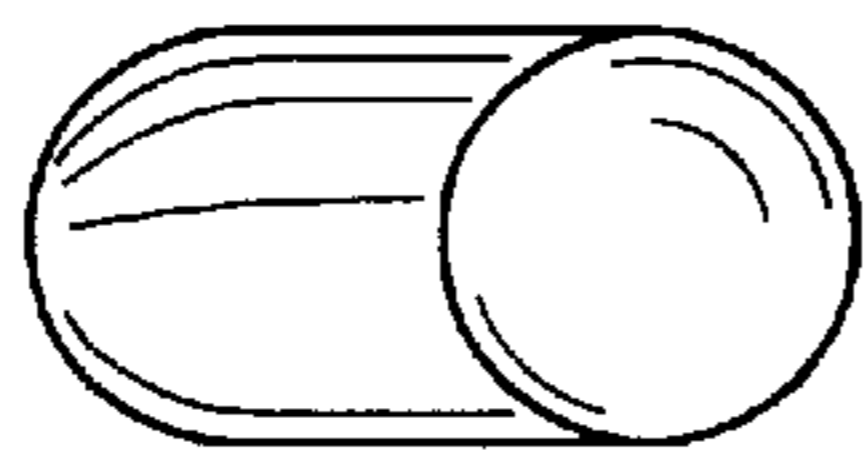
FIG.-1



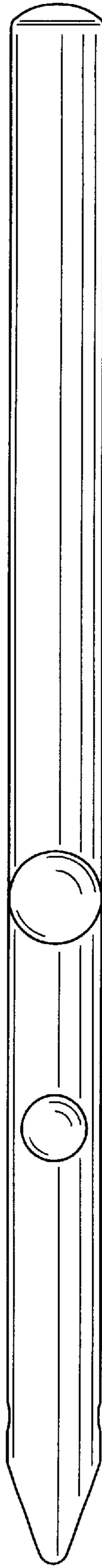
**FIG. 2**



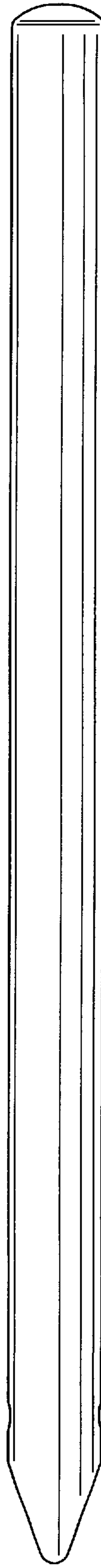
**FIG. 4**



**FIG. 3**



**FIG. 5**



**FIG. 6**