



US00D463026S

(12) **United States Design Patent**
Holms

(10) **Patent No.:** **US D463,026 S**

(45) **Date of Patent:** **** Sep. 17, 2002**

(54) **DENTAL INSTRUMENT**

(76) Inventor: **Allan G. Holms**, 1314 S. Grand
#2-112, Spokane, WA (US) 98202

(**) Term: **14 Years**

(21) Appl. No.: **29/109,093**

(22) Filed: **Aug. 10, 1999**

Related U.S. Application Data

(62) Division of application No. 09/048,965, filed on Mar. 26, 1998.

(51) **LOC (7) Cl.** **24-02**

(52) **U.S. Cl.** **D24/152; D24/154**

(58) **Field of Search** D24/152, 133,
D24/154; 433/143, 141, 142, 147, 114,
117, 119, 118, 86

(56) **References Cited**

U.S. PATENT DOCUMENTS

5,030,091 A 7/1991 Svanberg 433/143
D394,902 S * 6/1998 Herbst et al. D24/154

5,816,806 A 10/1998 Herbst et al. 433/141
D405,179 S * 2/1999 Kirsch et al. D24/154
D425,202 S * 5/2000 Hammond et al. D24/154
D428,146 S * 7/2000 Svanberg et al. D24/133

* cited by examiner

Primary Examiner—Ian Simmons

(74) *Attorney, Agent, or Firm*—Stratton Ballew PLLC

(57) **CLAIM**

The ornamental design for a dental instrument, as shown and described.

DESCRIPTION

FIG. 1 is an exploded perspective view of a dental instrument showing my new design;

FIG. 2 is an end elevational view;

FIG. 3 is an exploded side elevational view thereof; and,

FIG. 4 is another exploded side elevational view thereof, taken from the opposite side.

The broken line showing of the tool tip in FIGS. 1, 3 and 4 is for illustrative purposes only and forms no part of the claimed design.

1 Claim, 2 Drawing Sheets

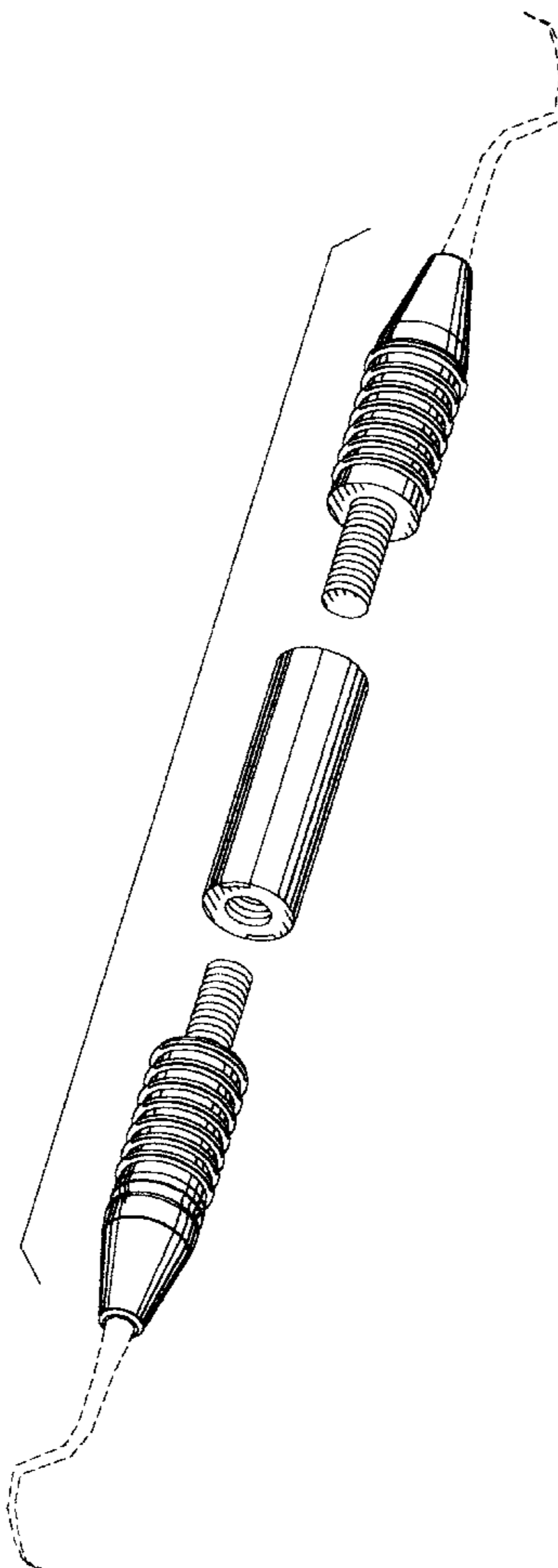


Fig. 1

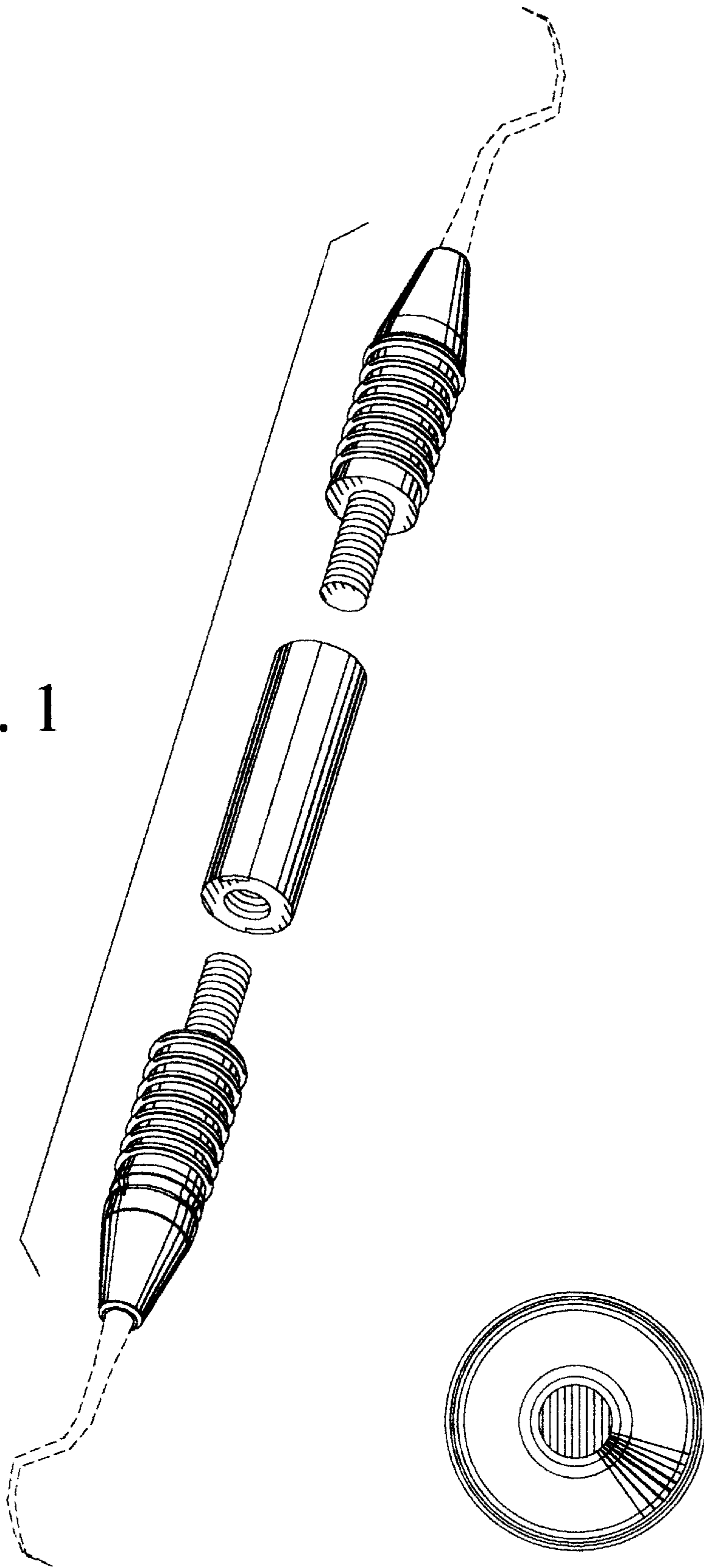
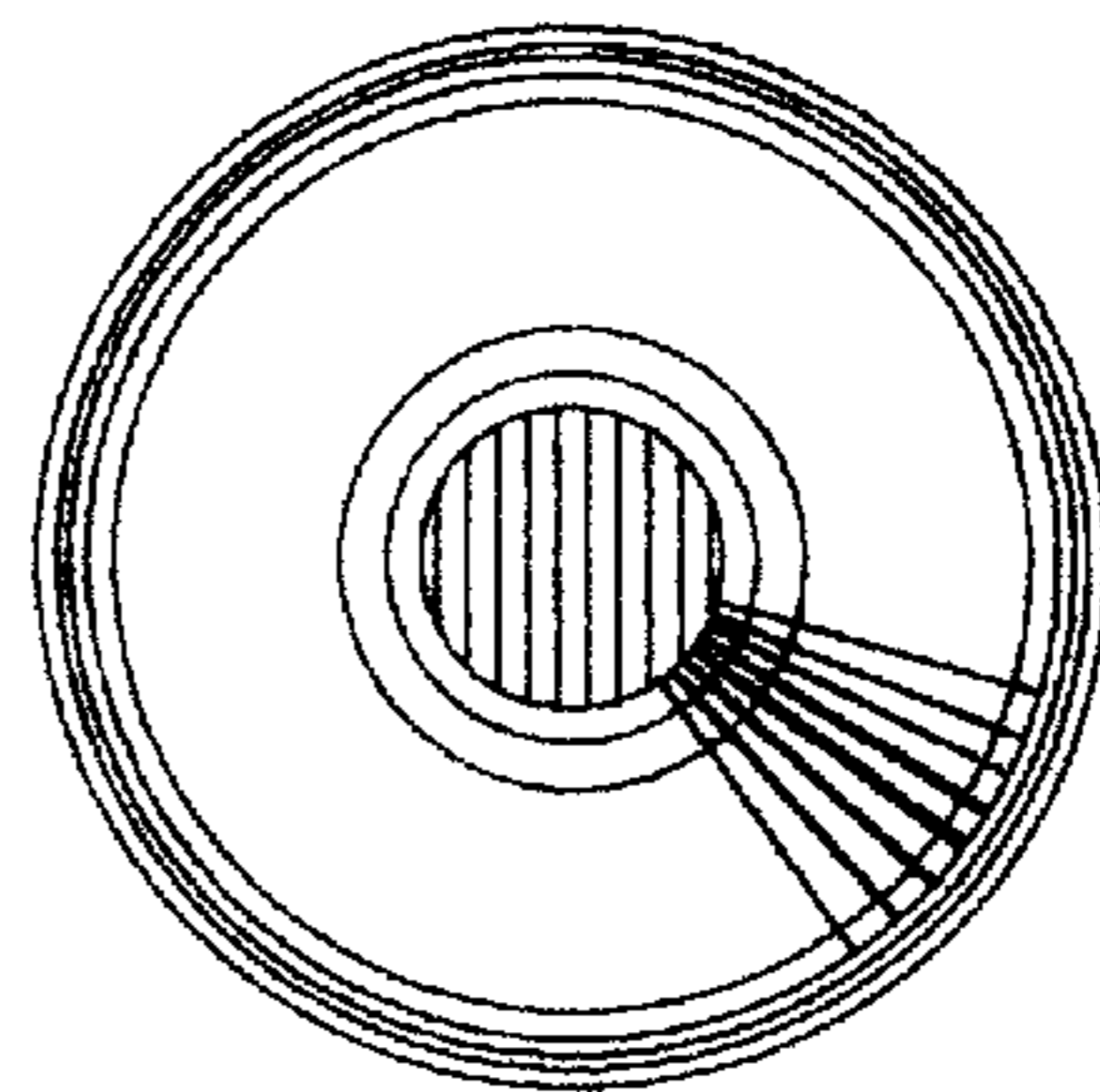


Fig. 2



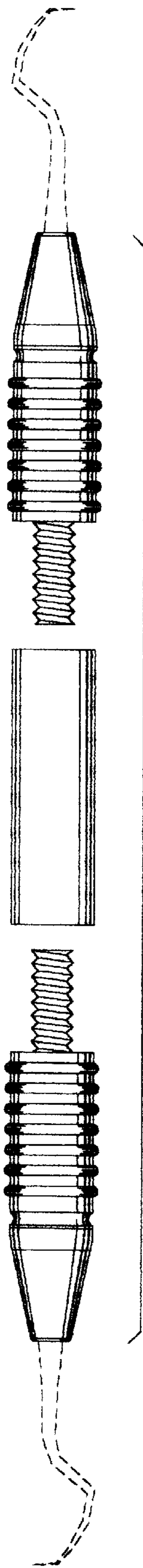


Fig. 4

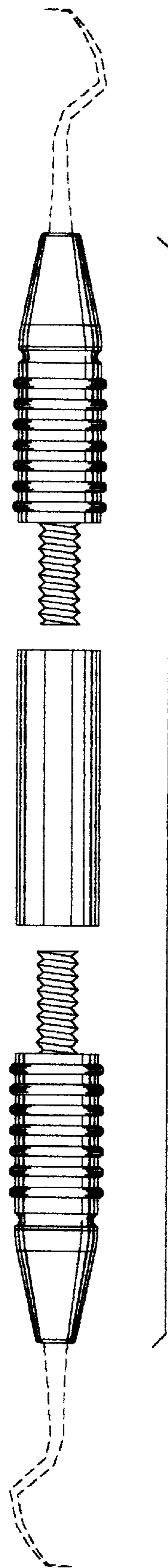


Fig. 3