



US00D463020S

(12) **United States Design Patent**  
**Liu**

(10) **Patent No.:** **US D463,020 S**

(45) **Date of Patent:** **\*\* Sep. 17, 2002**

(54) **CEILING FAN**

D397,416 S \* 8/1998 Lee ..... D23/377  
D438,946 S \* 3/2001 Williams ..... D23/377

(75) Inventor: **Ching-Wen Liu**, Feng Yuan (TW)

\* cited by examiner

(73) Assignee: **Pan Air Electric Co., Ltd.**, Taichung Hsien (TW)

*Primary Examiner*—Lisa Lichtenstein  
(74) *Attorney, Agent, or Firm*—Charles E. Baxley

(\*\*) Term: **14 Years**

(57) **CLAIM**

(21) Appl. No.: **29/153,291**

The ornamental design for a ceiling fan, as shown and described.

(22) Filed: **Jan. 8, 2002**

**DESCRIPTION**

(51) **LOC (7) Cl.** ..... **23-04**

(52) **U.S. Cl.** ..... **D23/377**

(58) **Field of Search** ..... D23/377, 379,  
D23/385, 411, 413; 416/5; D26/51, 59,  
72, 81–86, 88

FIG. 1 is a perspective view of a ceiling fan showing my new design;

FIG. 2 is a front elevational view thereof;

FIG. 3 is a rear elevational view thereof;

FIG. 4 is a left side elevational view thereof;

FIG. 5 is a right side elevational view thereof;

FIG. 6 is a top plan view thereof; and,

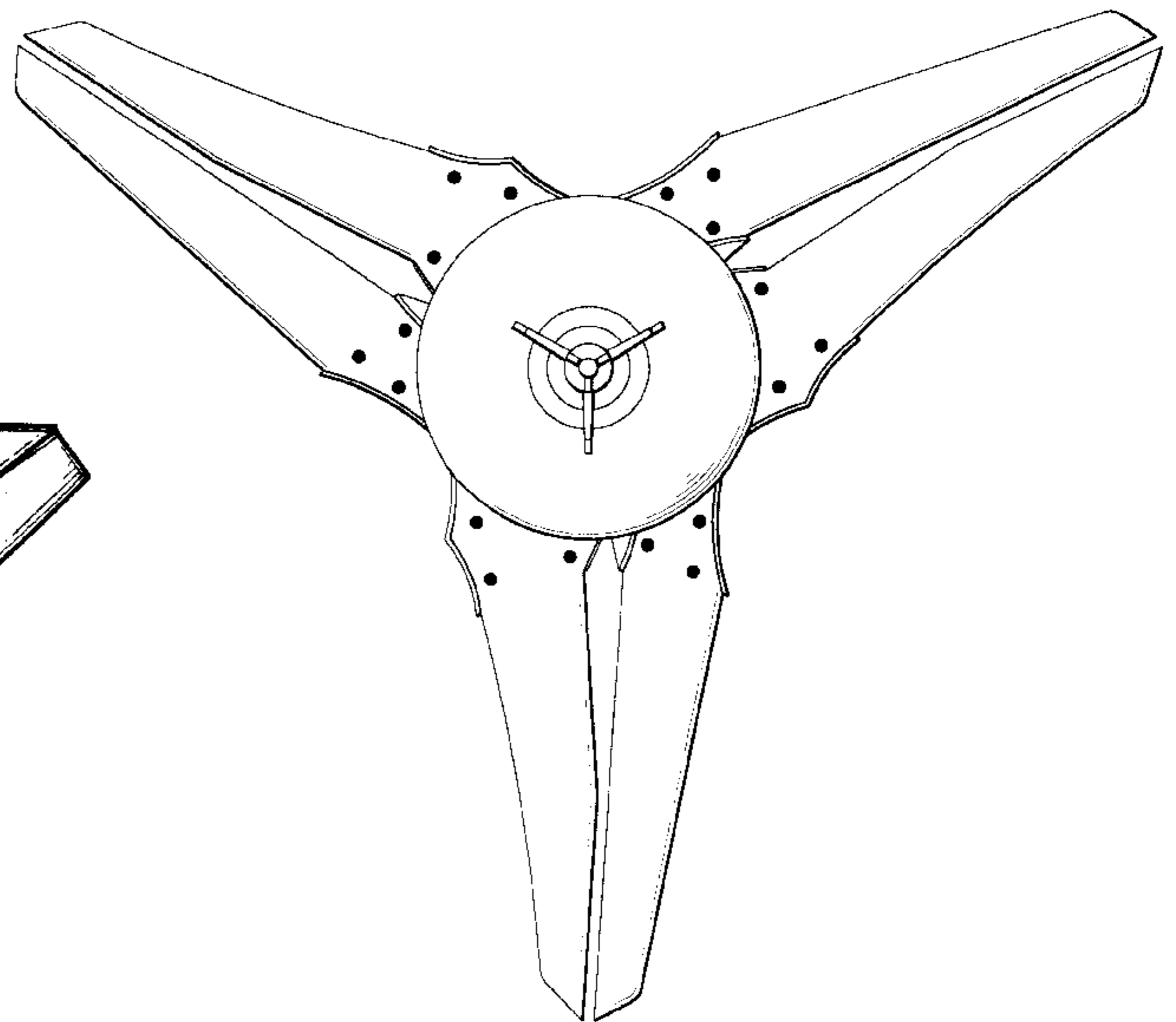
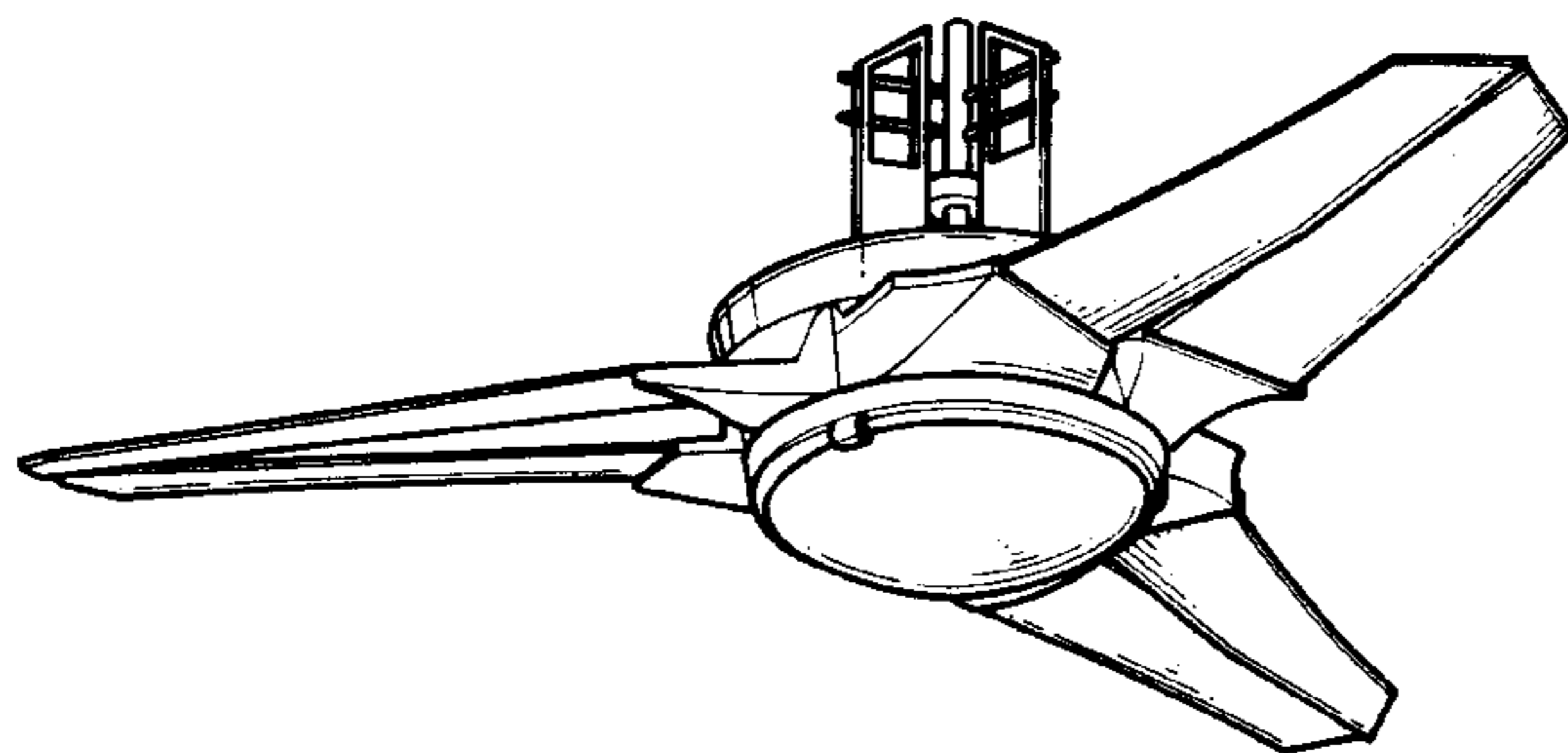
FIG. 7 is a bottom plan view thereof.

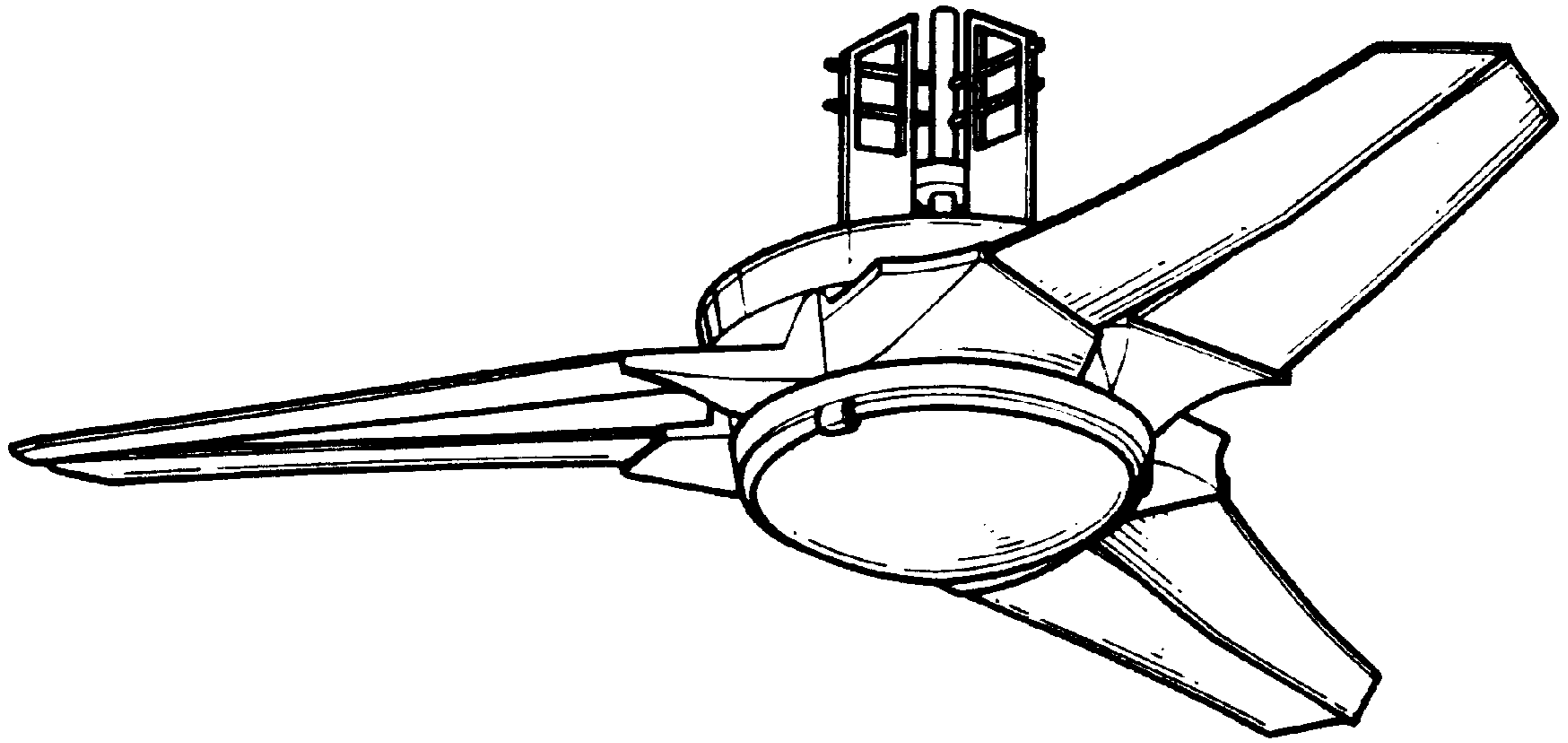
(56) **References Cited**

**U.S. PATENT DOCUMENTS**

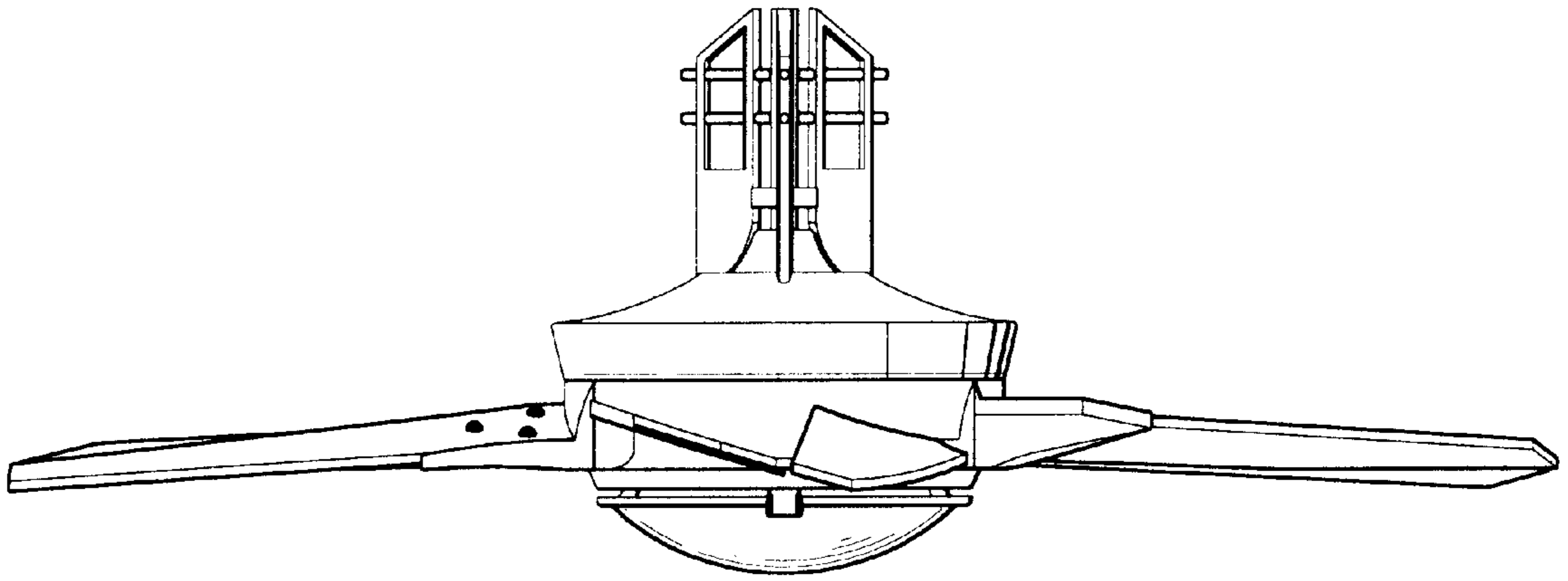
D377,975 S \* 2/1997 Young ..... D23/377

**1 Claim, 7 Drawing Sheets**

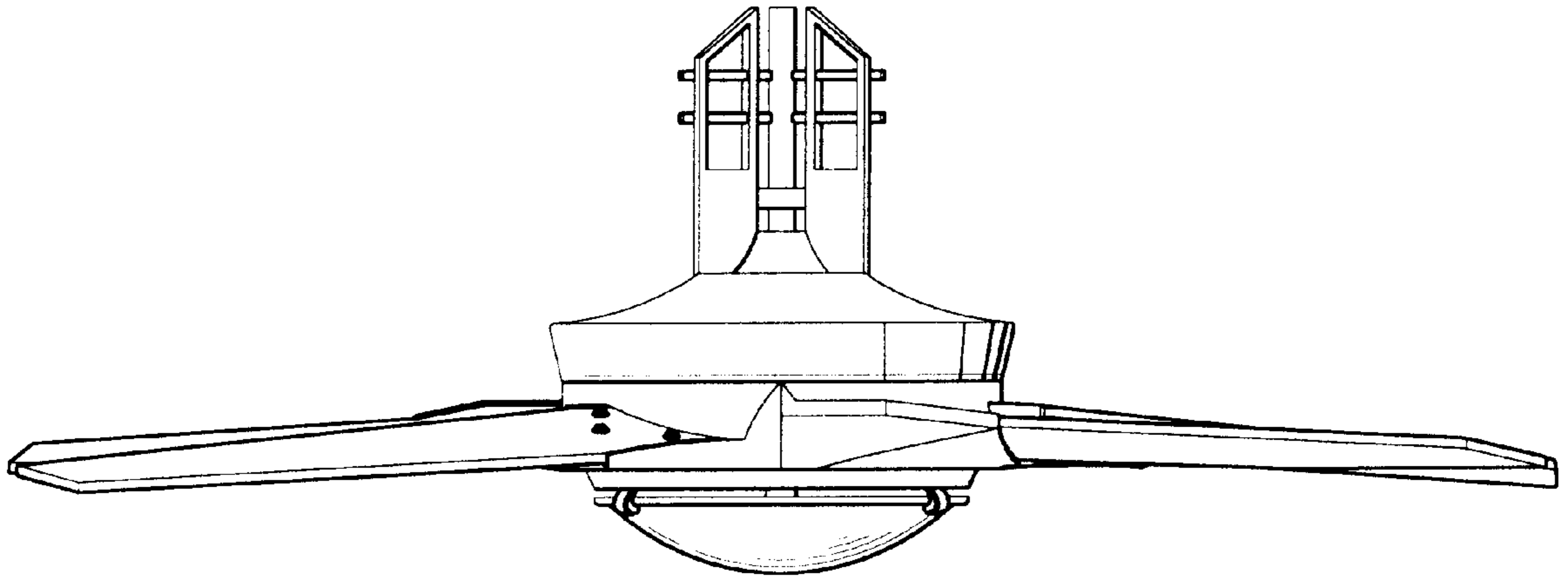




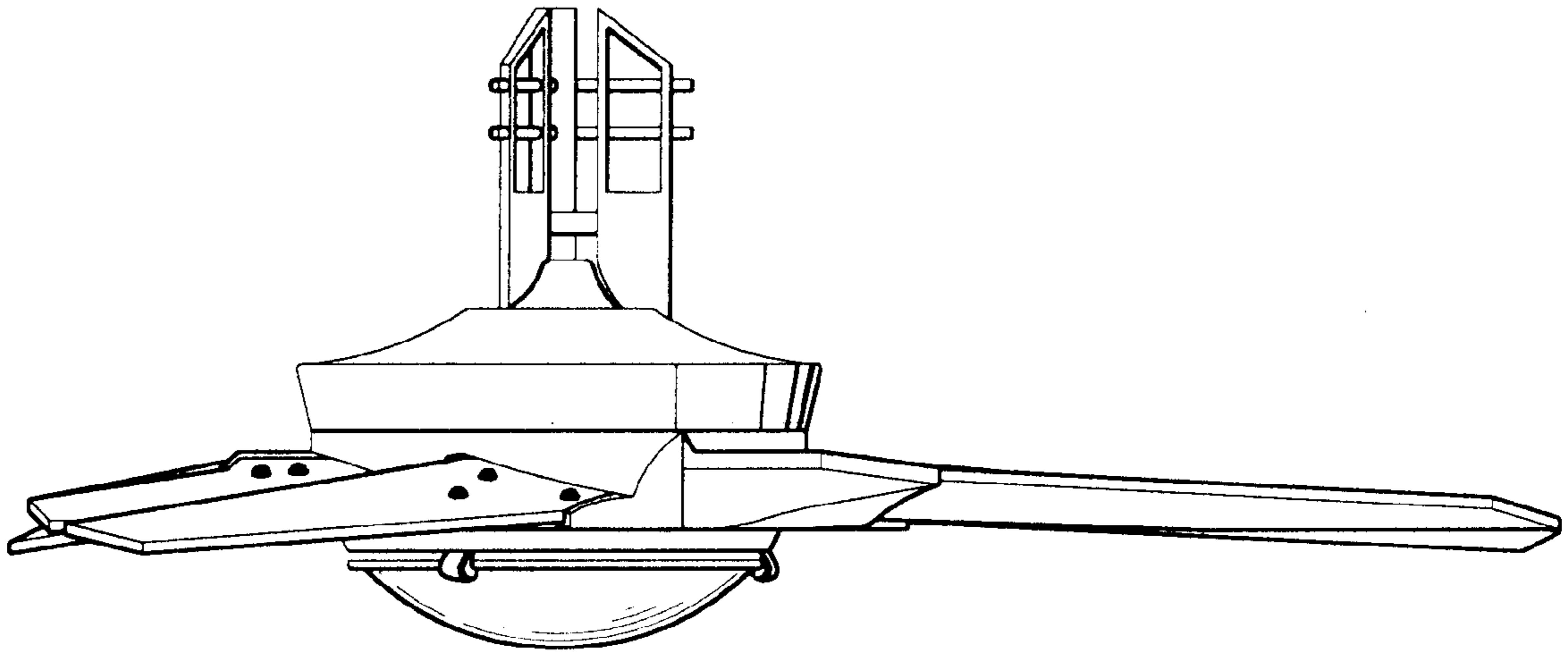
F I G. 1



F I G . 2



F I G. 3



F I G. 4

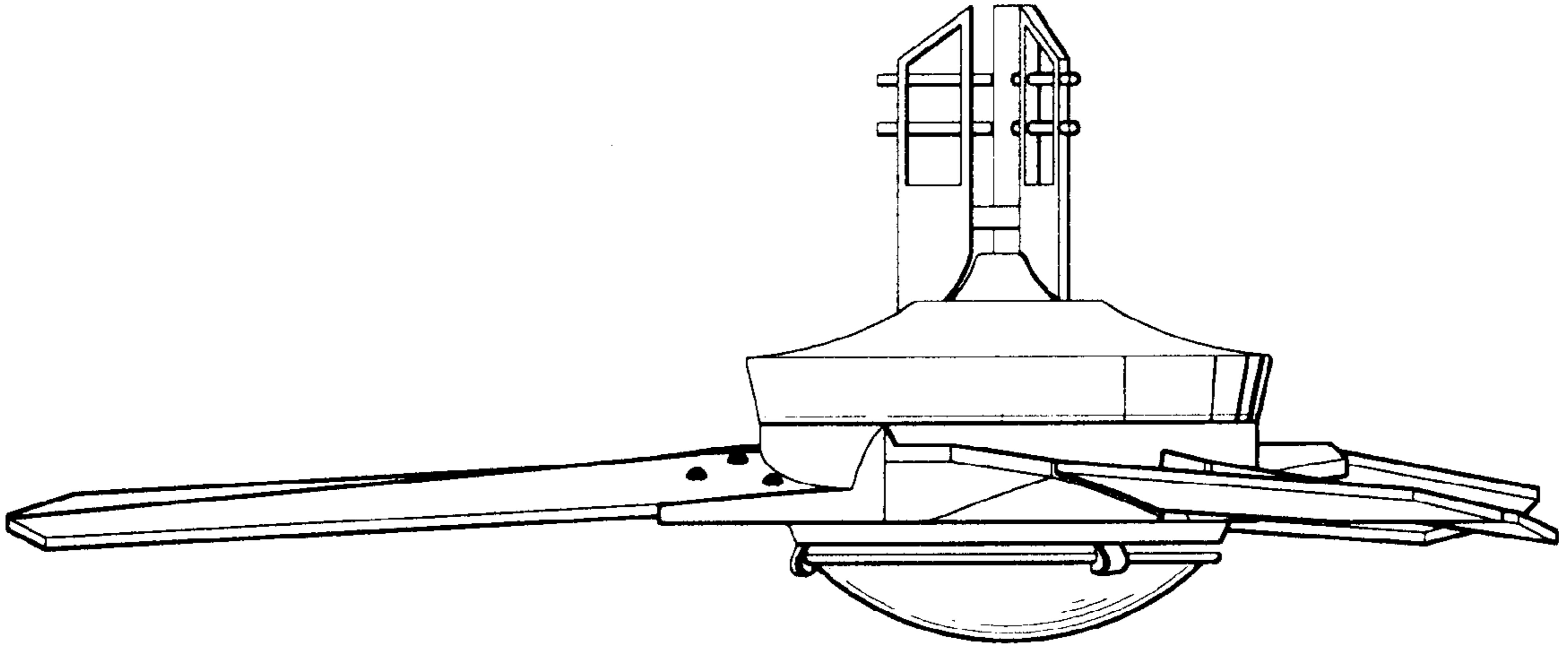


FIG. 5

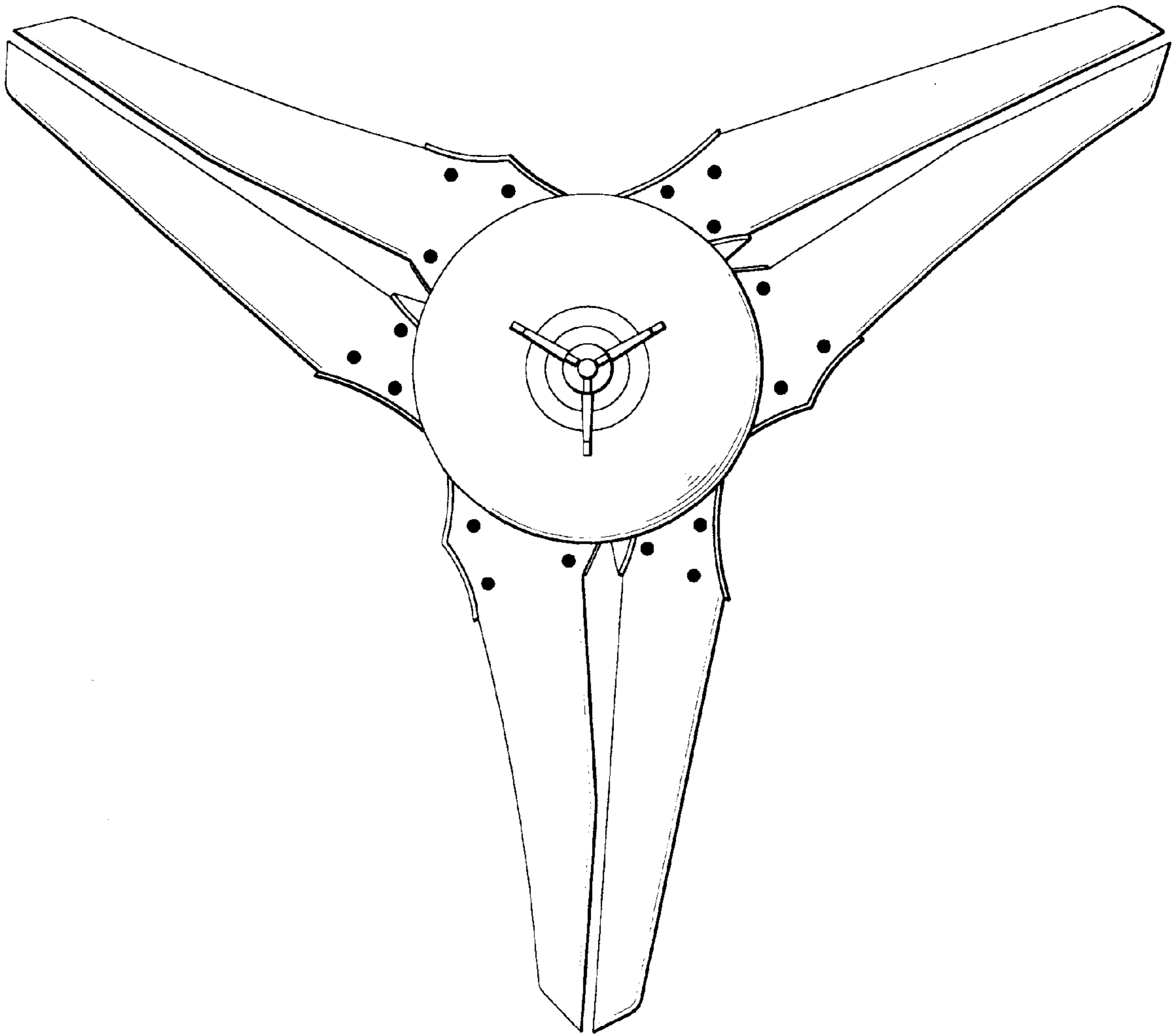


FIG. 6

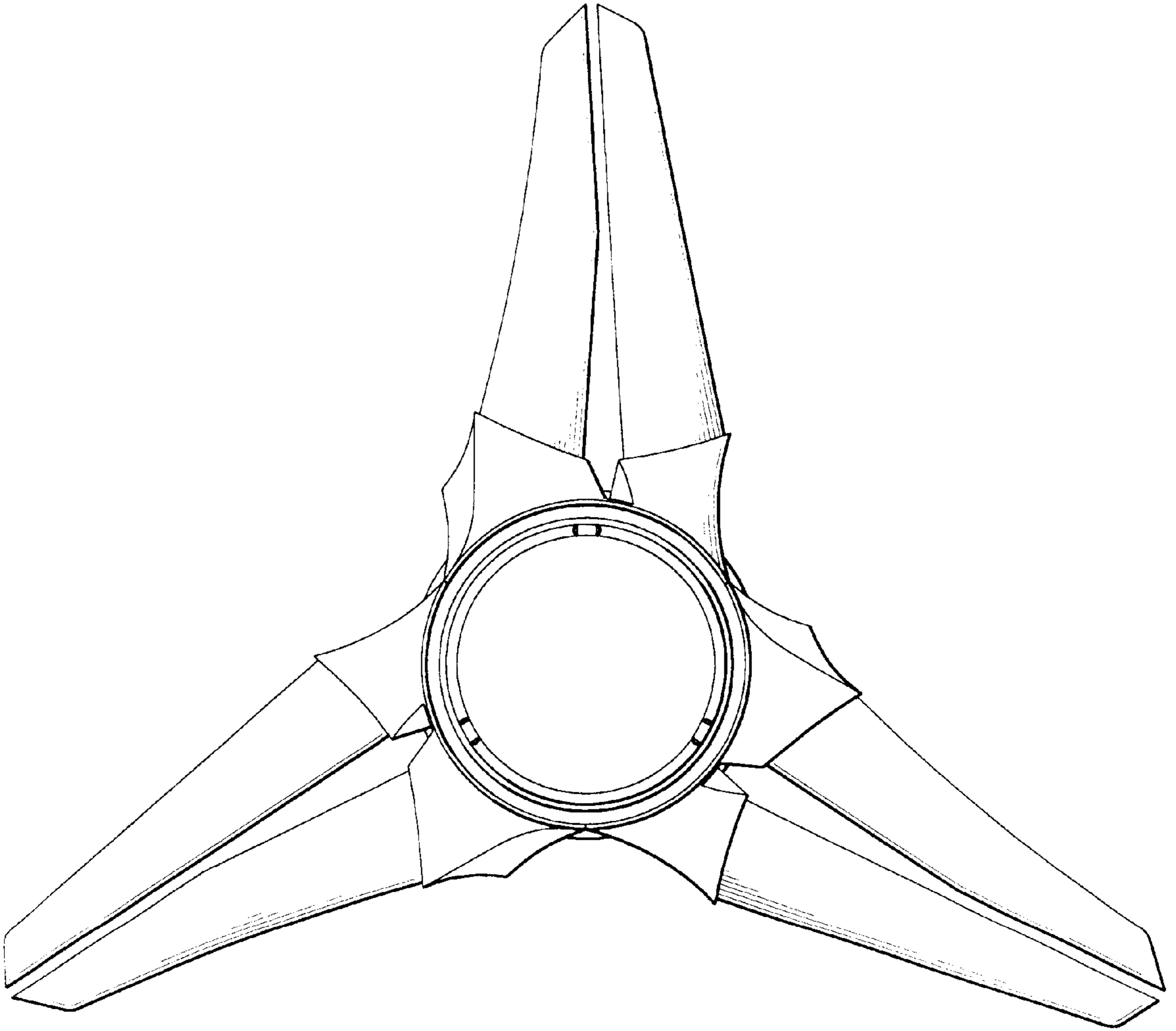


FIG. 7