



US00D463019S

(12) **United States Design Patent**  
**Jones et al.**

(10) **Patent No.:** **US D463,019 S**

(45) **Date of Patent:** **\*\* Sep. 17, 2002**

(54) **RANGE HOOD**

D420,119 S \* 2/2000 Neff et al. .... D23/372  
D433,495 S \* 11/2000 Segers ..... D23/372

(75) Inventors: **Charles L. Jones**, Stevensville, MI (US); **Philip M. Thompson**, St. Joseph, MI (US); **Tania L. Aldous**, St. Joseph, MI (US); **Mark W. Baldwin**, St. Joseph, MI (US); **Viorel Luminosu**, St. Joseph, MI (US)

\* cited by examiner

*Primary Examiner*—Lisa Lichtenstein  
(74) *Attorney, Agent, or Firm*—Stephen Krefman; Robert O. Rice; Thomas J. Roth

(73) Assignee: **Whirlpool Corporation**, Benton Harbor, MI (US)

(57) **CLAIM**

The ornamental design for a range hood, as shown and described.

(\*\*) Term: **14 Years**

**DESCRIPTION**

(21) Appl. No.: **29/156,863**

FIG. 1 is a front perspective view of the design of the present invention.

(22) Filed: **Mar. 8, 2002**

FIG. 2 is a front elevational view thereof,

(51) **LOC (7) Cl.** ..... **23-04**

(52) **U.S. Cl.** ..... **D23/372**

(58) **Field of Search** ..... D23/371, 372;  
126/299 R, 299 D; D7/402

FIG. 3 is a back elevational view thereof; and,

FIG. 4 is a top plan view thereof.

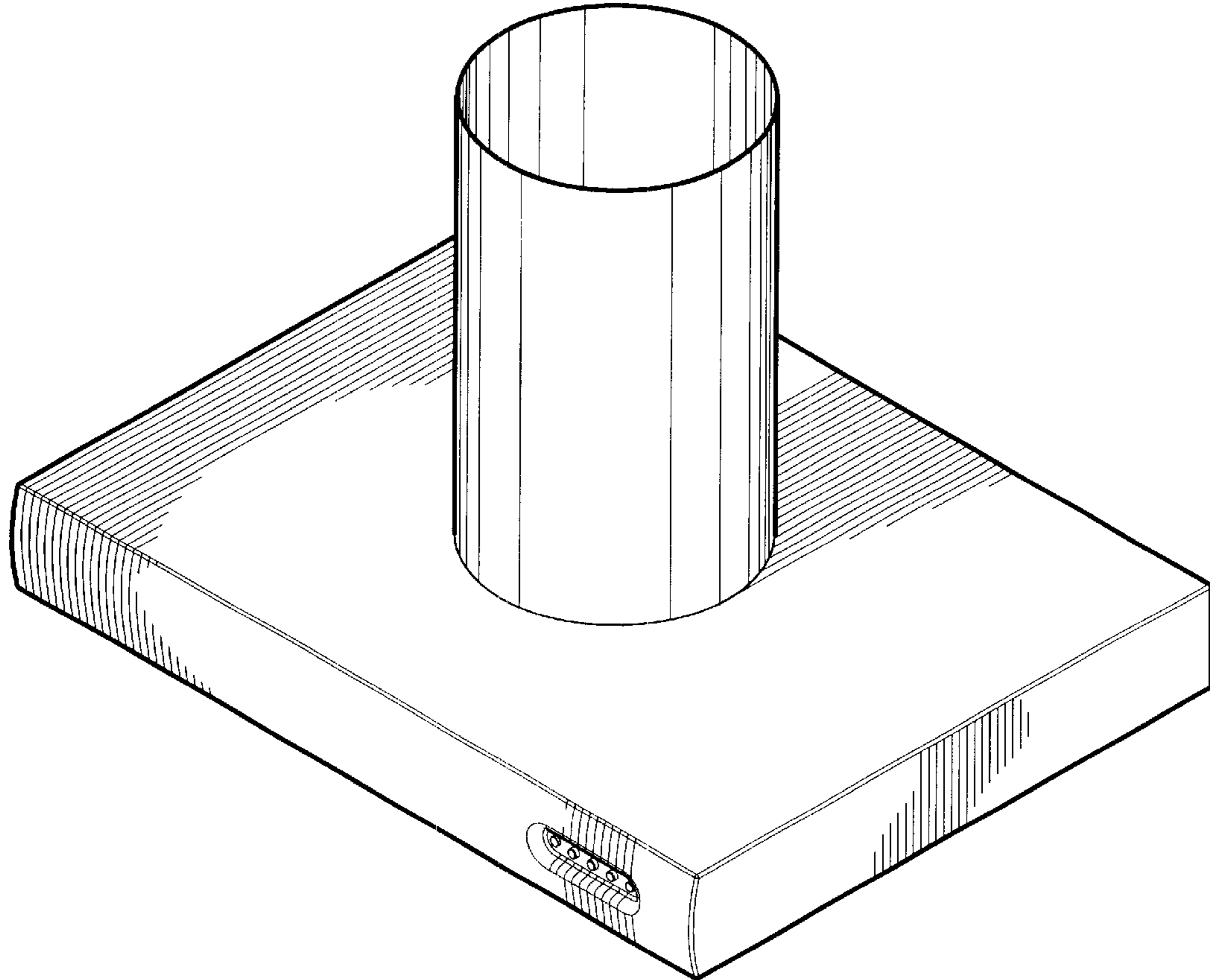
The side opposite that shown in FIG. 1 is a mirror image of that shown.

(56) **References Cited**

**U.S. PATENT DOCUMENTS**

D379,501 S \* 5/1997 Airoso et al. .... D23/371

**1 Claim, 4 Drawing Sheets**



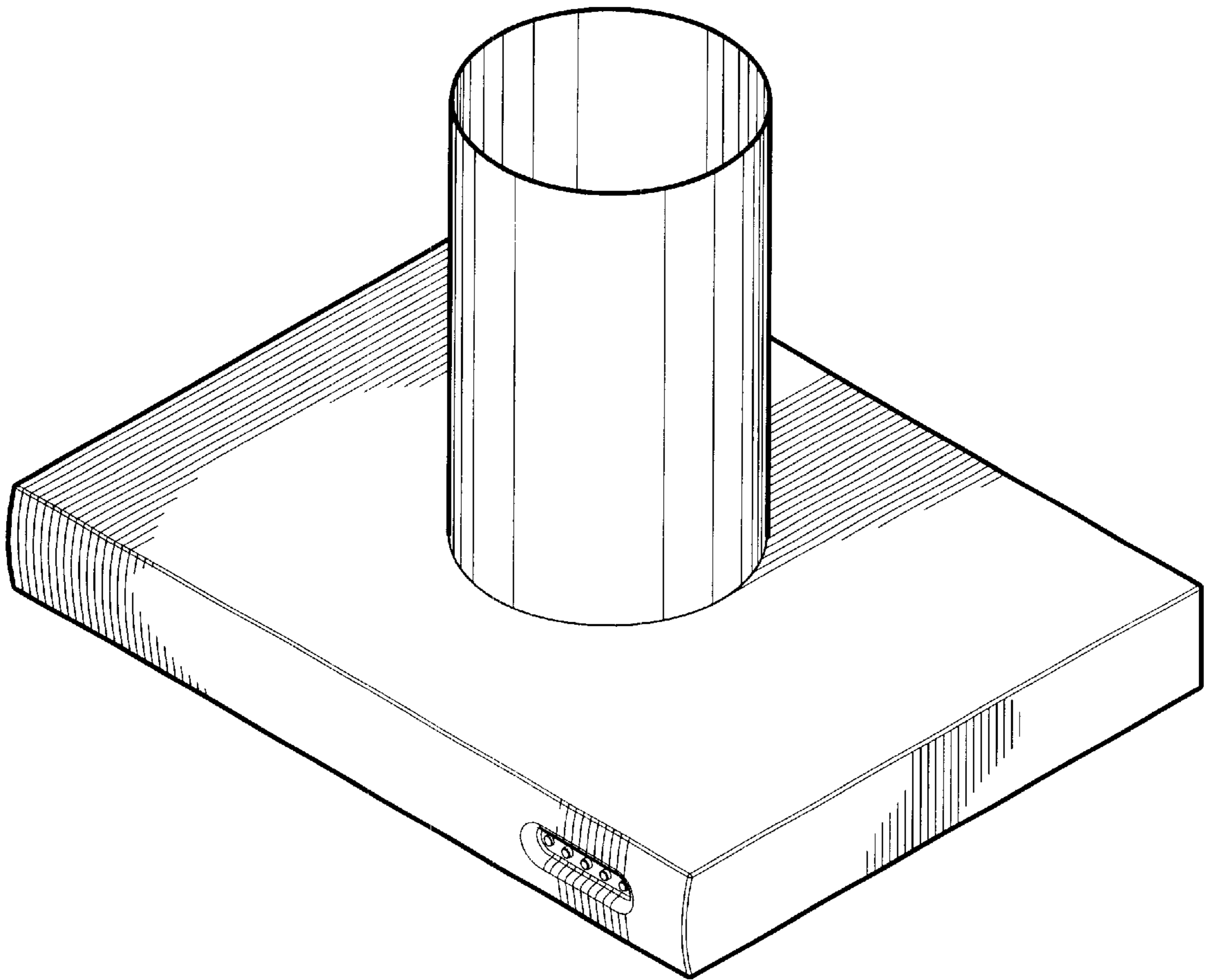


Fig. 1

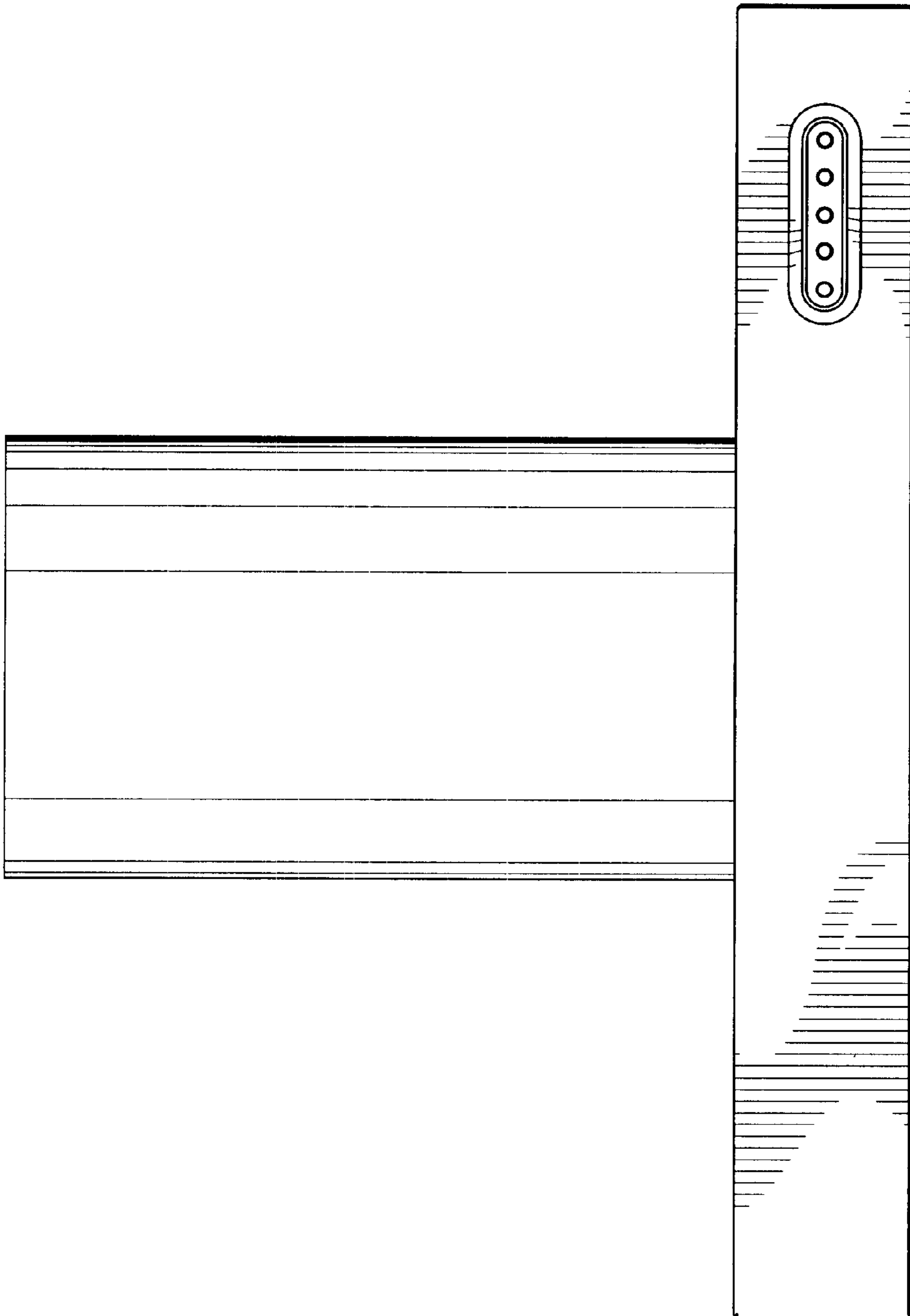


Fig. 2

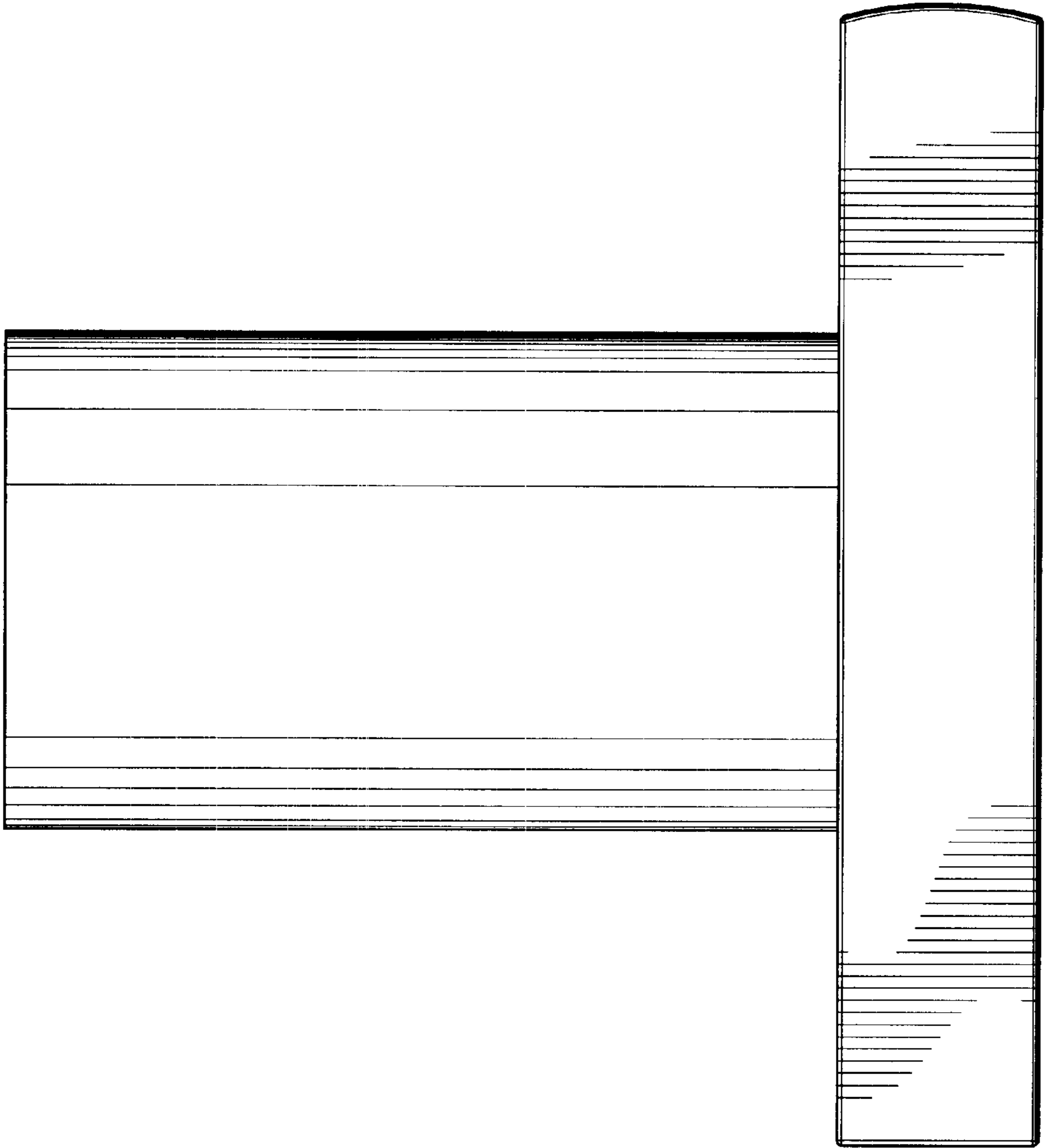


Fig. 3

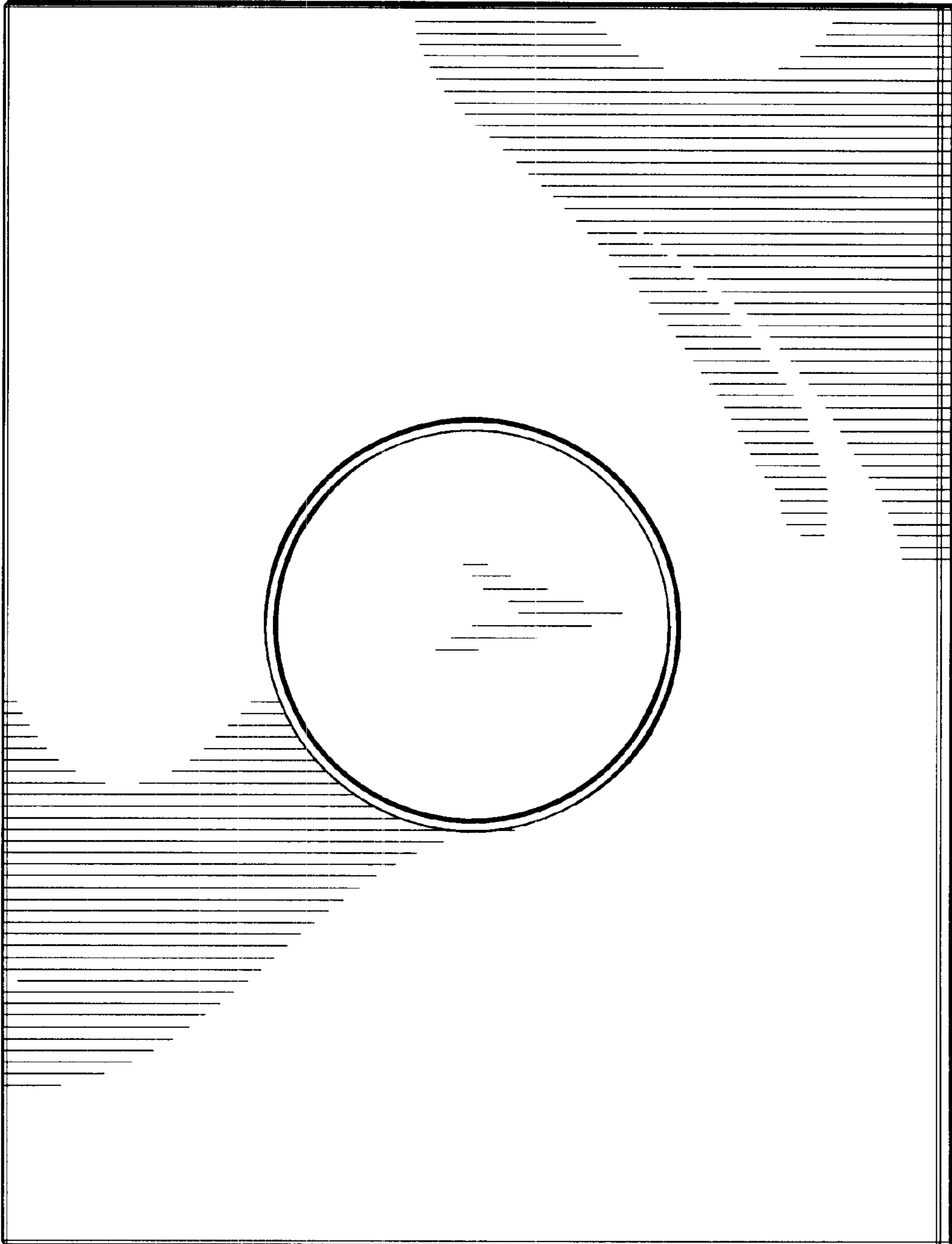


Fig. 4