



US00D463018S

(12) **United States Design Patent**  
**Kojima**

(10) **Patent No.:** **US D463,018 S**

(45) **Date of Patent:** **\*\* Sep. 17, 2002**

(54) **RANGE HOOD**

(75) Inventor: **Kenji Kojima**, Osaka (JP)

(73) Assignees: **Matsushita Electric Industrial Co., Ltd.**, Osaka (JP); **Matsushita Seiko Co., Ltd.**, Osaka (JP)

(\*\*) Term: **14 Years**

(21) Appl. No.: **29/152,780**

(22) Filed: **Dec. 27, 2001**

(30) **Foreign Application Priority Data**

Jun. 27, 2001 (JP) ..... 2001-018694

(51) **LOC (7) Cl.** ..... **23-04**

(52) **U.S. Cl.** ..... **D23/372**

(58) **Field of Search** ..... D23/372; 126/299 D,  
126/299 R

(56) **References Cited**

**U.S. PATENT DOCUMENTS**

D450,379 S \* 11/2001 Strand et al. .... D23/372  
D452,907 S \* 1/2002 Tamura ..... D23/372

**FOREIGN PATENT DOCUMENTS**

JP 1040329 6/1999  
JP 1073462 6/2000

\* cited by examiner

*Primary Examiner*—Lisa Lichtenstein

(74) *Attorney, Agent, or Firm*—Christensen O'Connor Johnson Kindness PLLC

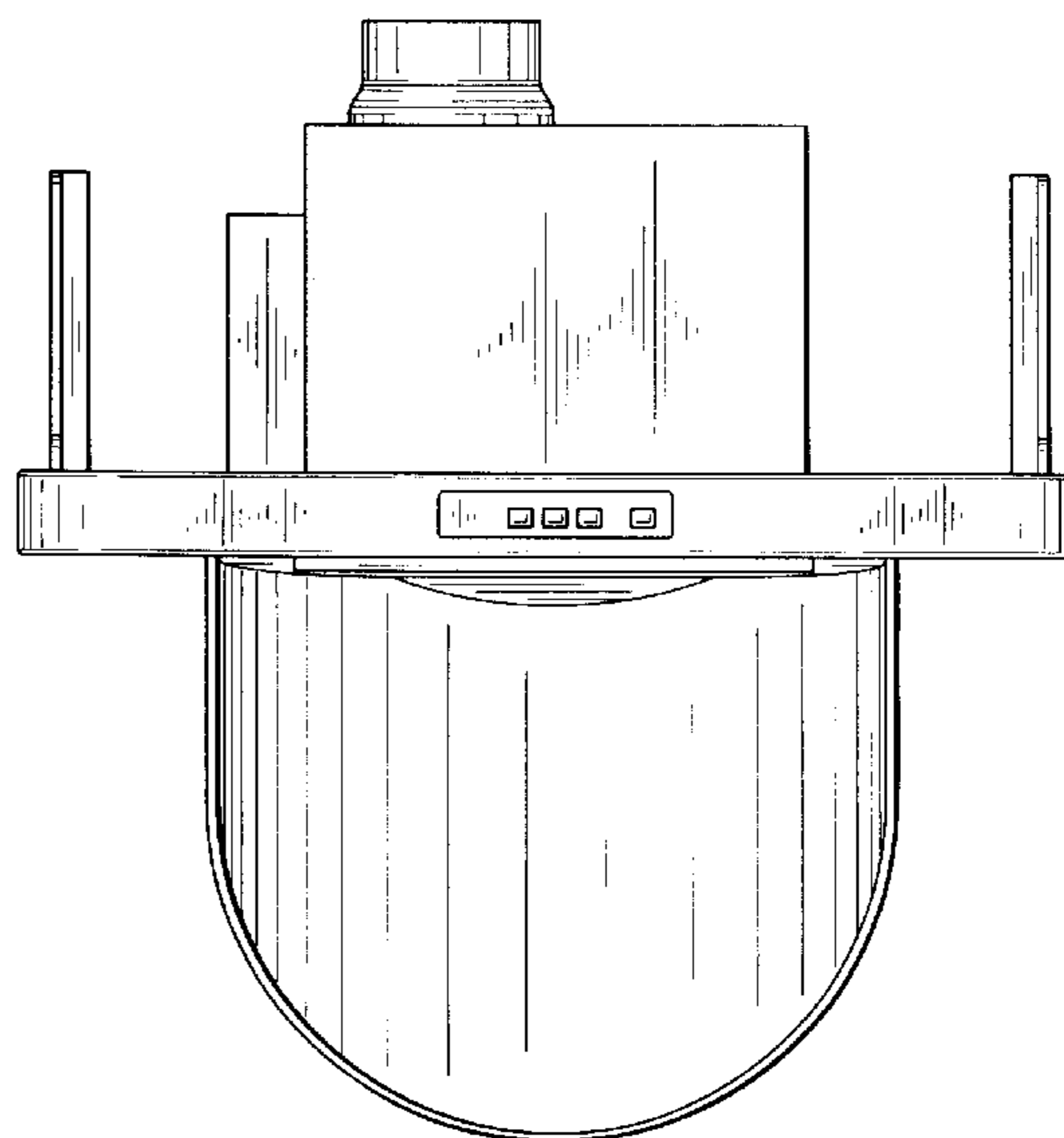
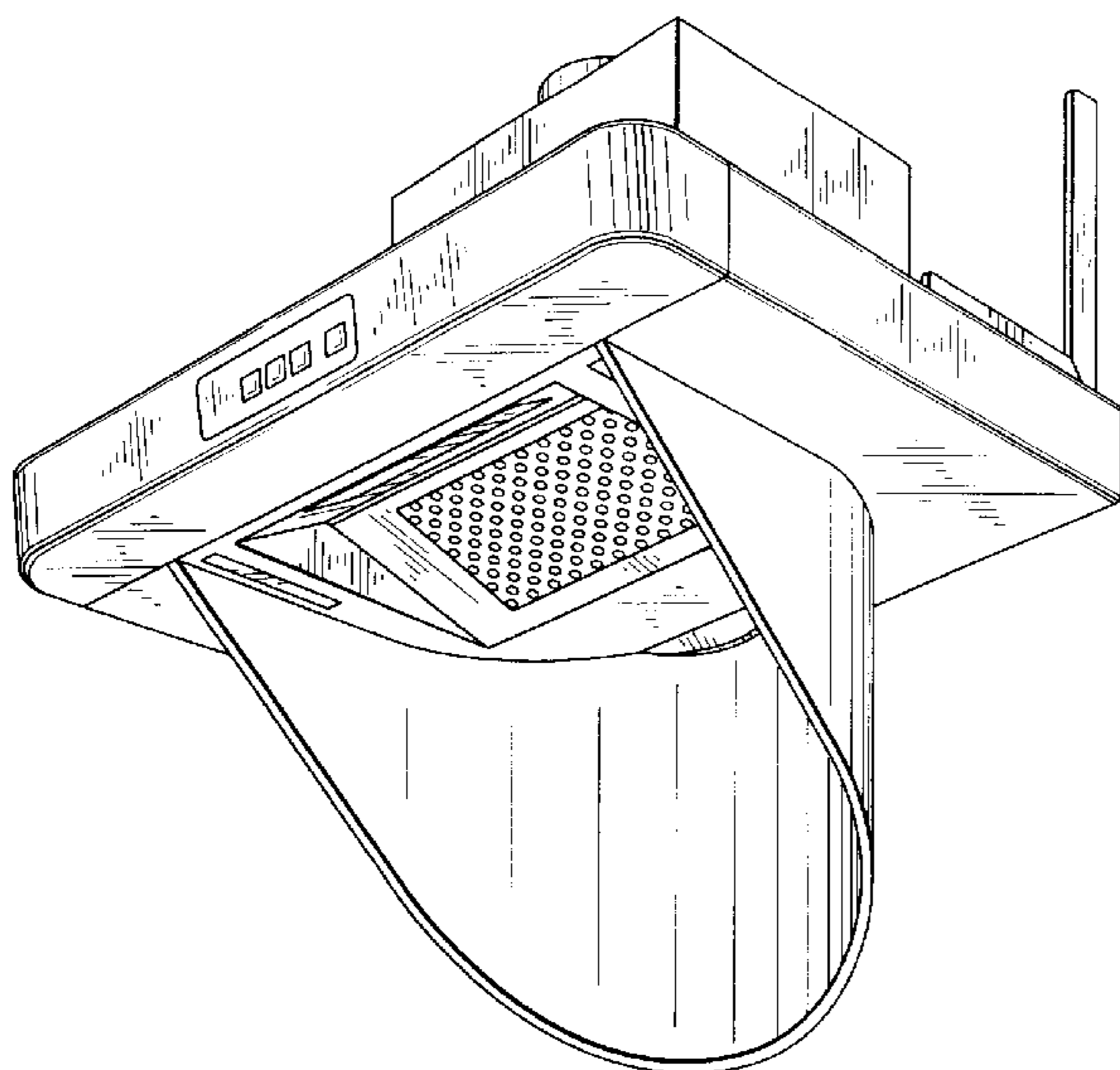
(57) **CLAIM**

The ornamental design for a range hood, shown and described.

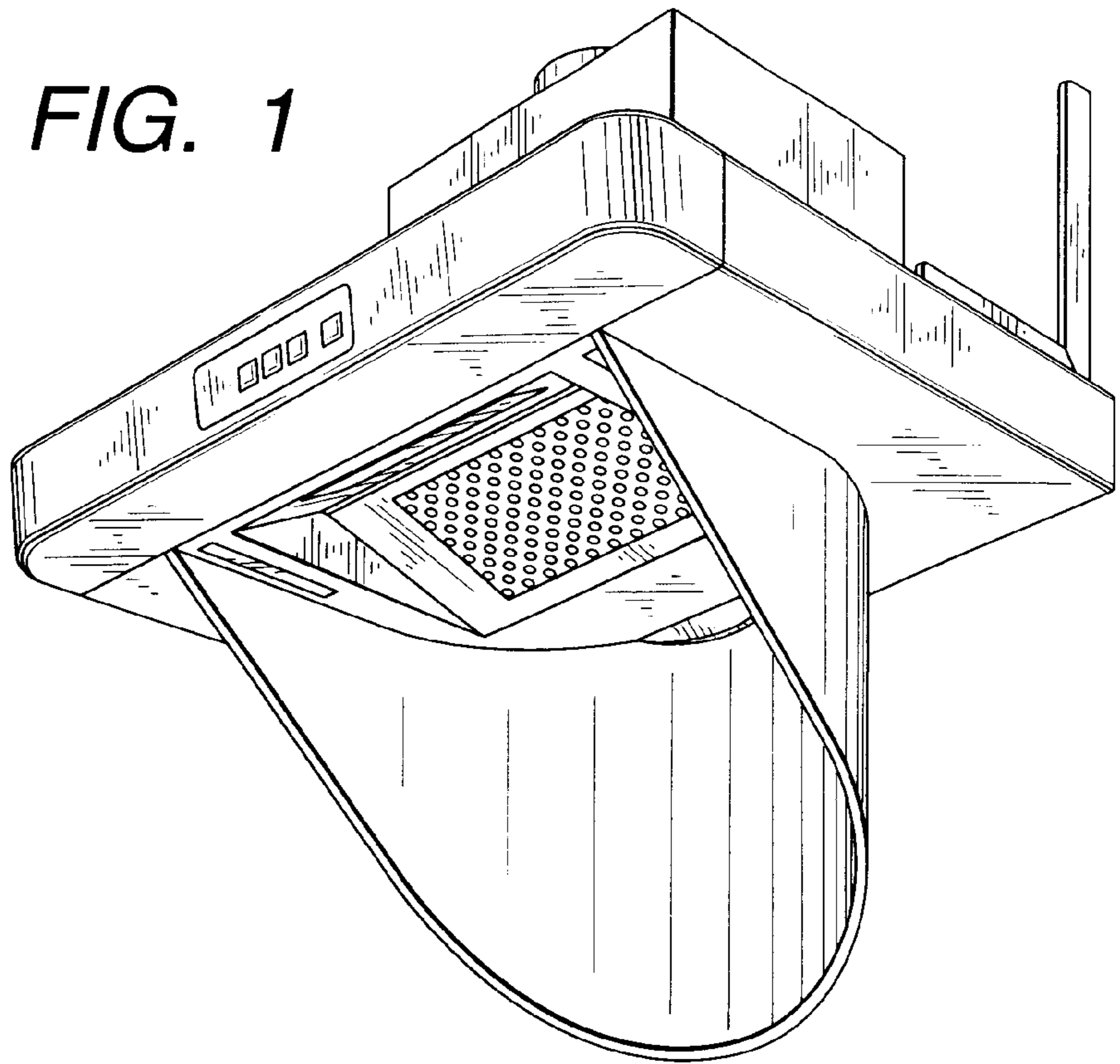
**DESCRIPTION**

FIG. 1 is a perspective view of the bottom, front and right side of a range hood showing my new design;  
FIG. 2 is a front view thereof;  
FIG. 3 is a top plan view thereof;  
FIG. 4 is a bottom view thereof;  
FIG. 5 is a left side view thereof;  
FIG. 6 is a right side view thereof; and,  
FIG. 7 is a rear view thereof.

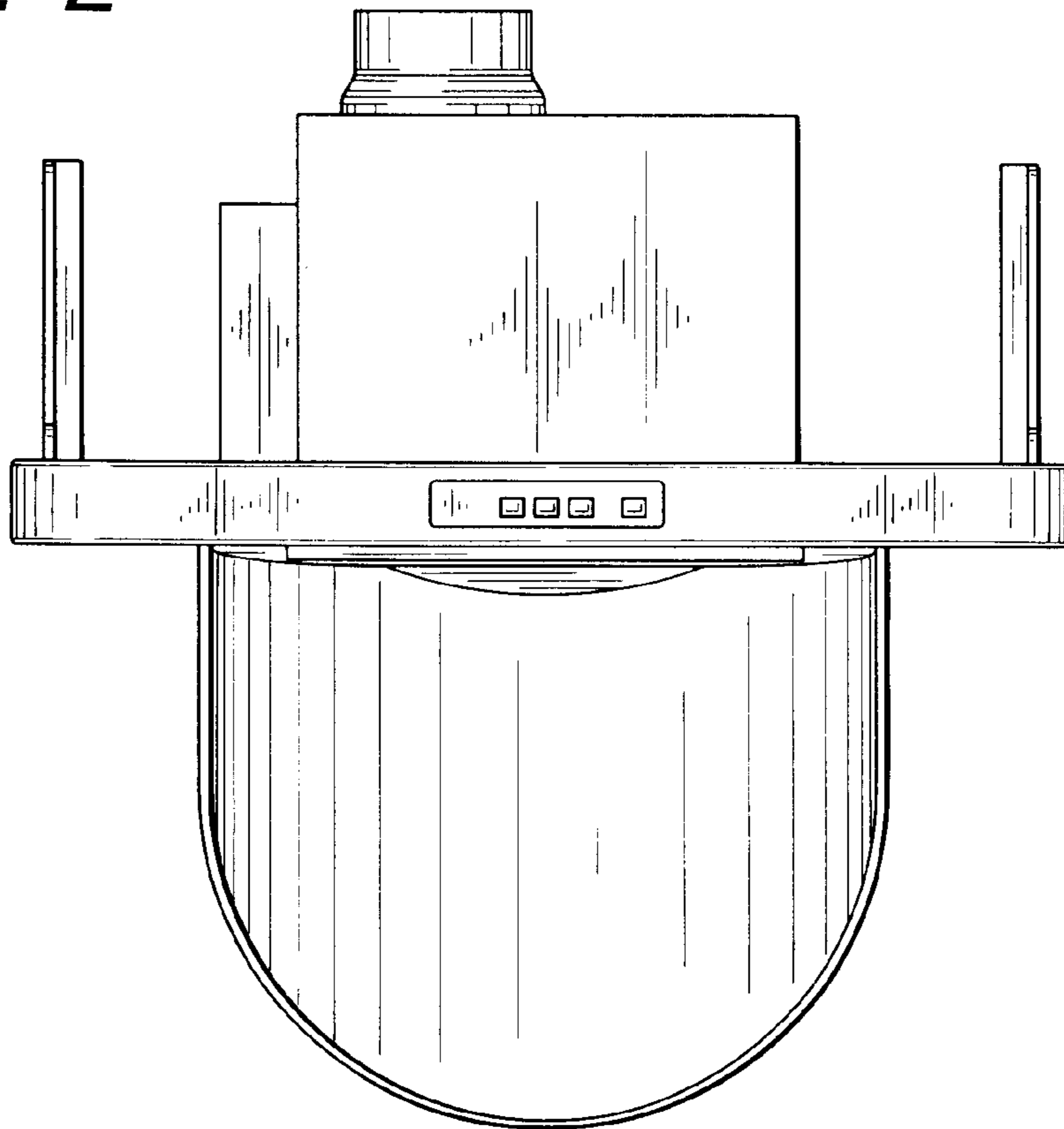
**1 Claim, 3 Drawing Sheets**



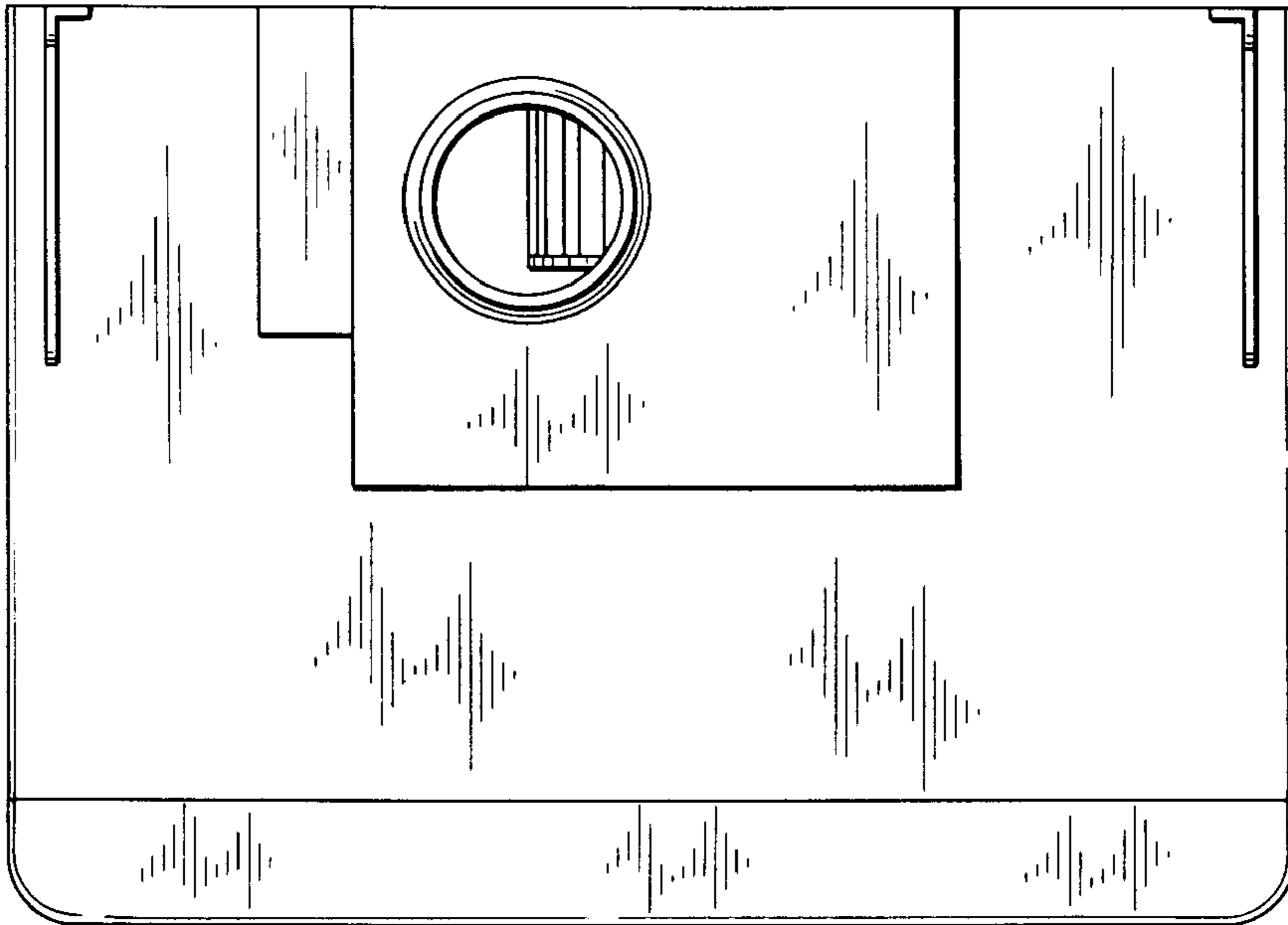
*FIG. 1*



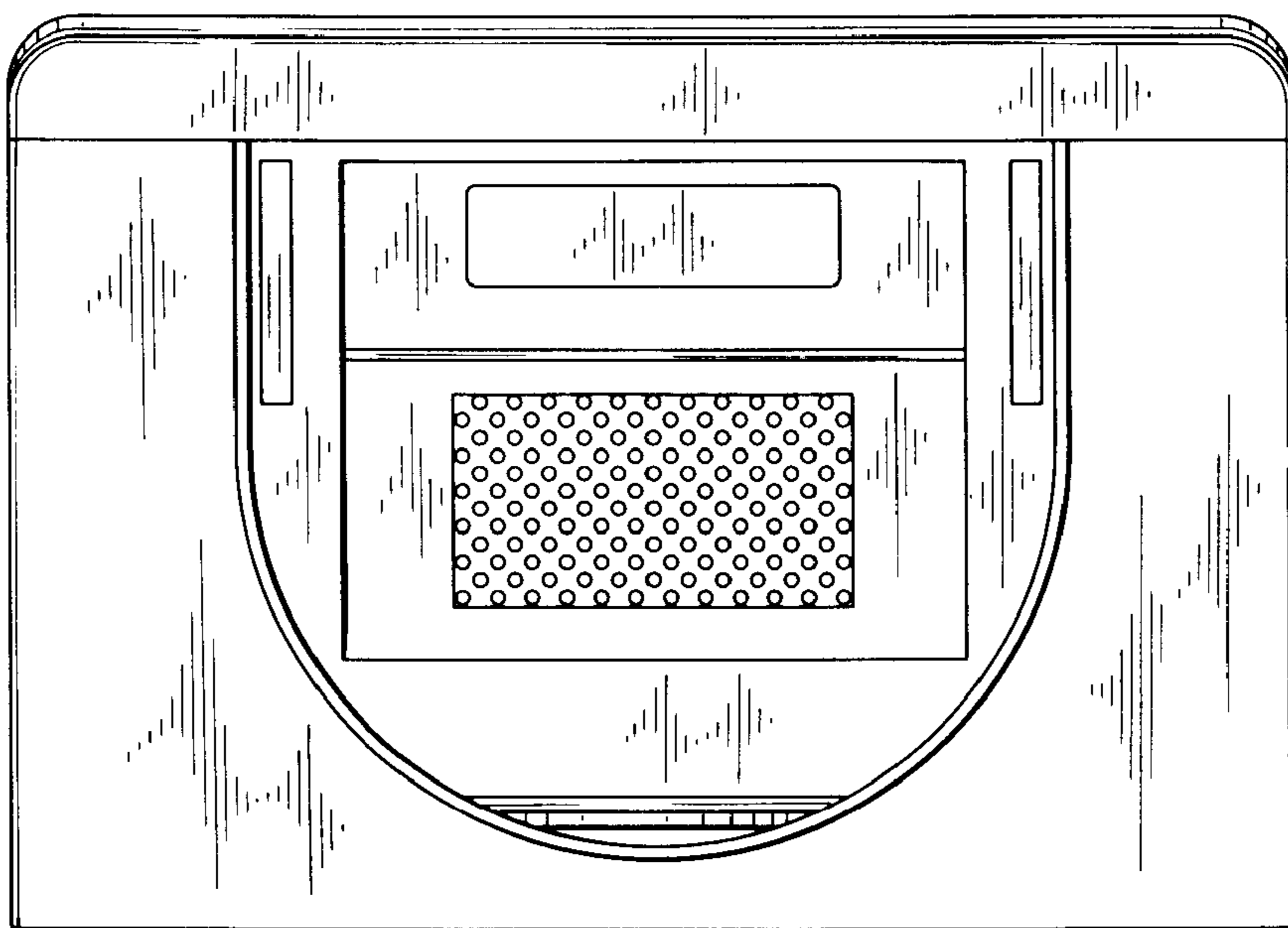
*FIG. 2*



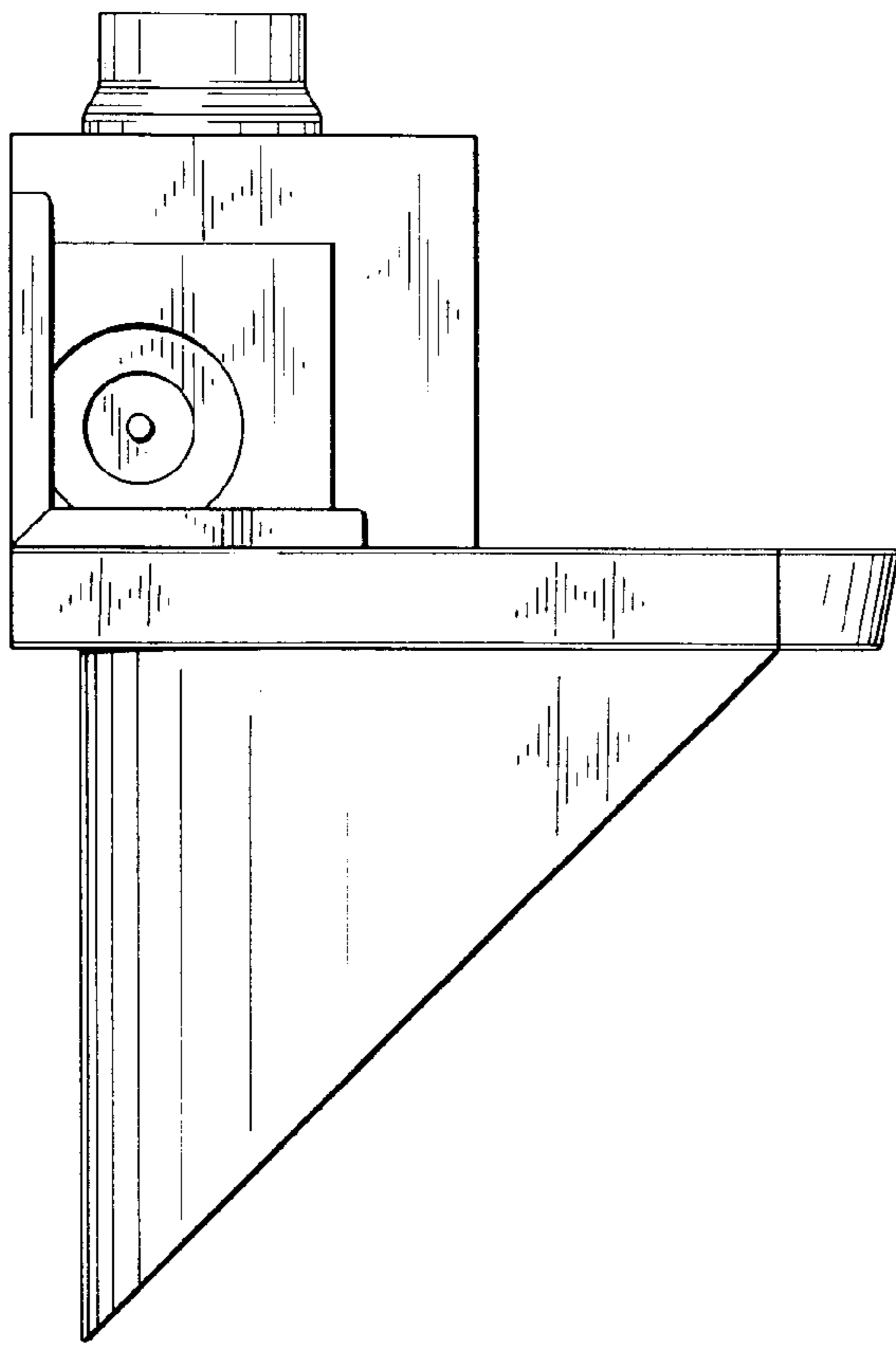
*FIG. 3*



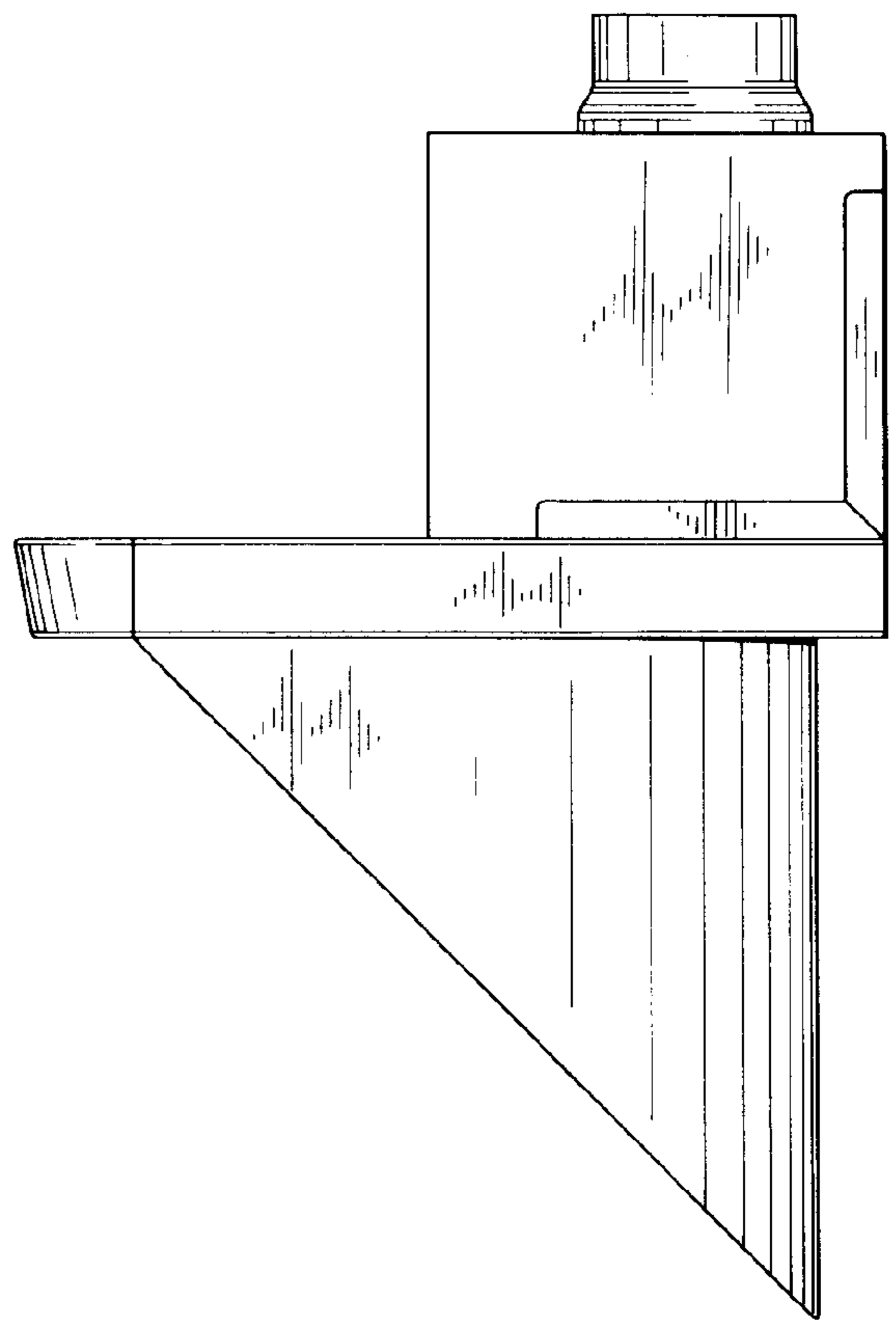
*FIG. 4*



*FIG. 5*



*FIG. 6*



*FIG. 7*

