



US00D463017S

(12) **United States Design Patent**
Johansson

(10) **Patent No.:** **US D463,017 S**

(45) **Date of Patent:** **** Sep. 17, 2002**

(54) **EXTRACTION DEVICE FOR POLLUTED GASES**

D327,122 S * 6/1992 Holmgren D23/371
5,427,569 A * 6/1995 Plumoth 454/65
5,527,217 A * 6/1996 Engstrom 454/65

(75) **Inventor:** **Lars Johansson, Jonstrop (SE)**

* cited by examiner

(73) **Assignee:** **AB PH. Nederman & Co., Helsingborg (SE)**

Primary Examiner—Lisa Lichtenstein
(74) *Attorney, Agent, or Firm*—Tarolli, Sundheim, Covell, Tummino & Szabo L.L.P.

(**) **Term:** **14 Years**

(21) **Appl. No.:** **29/141,637**

(22) **Filed:** **May 10, 2001**

(30) **Foreign Application Priority Data**

Nov. 30, 2000 (SE) 00-2201

(51) **LOC (7) Cl.** **23-04**

(52) **U.S. Cl.** **D23/371**

(58) **Field of Search** D23/371; 454/65,
454/63; 285/184

(56) **References Cited**

U.S. PATENT DOCUMENTS

D262,235 S * 12/1981 Hamilton D23/371

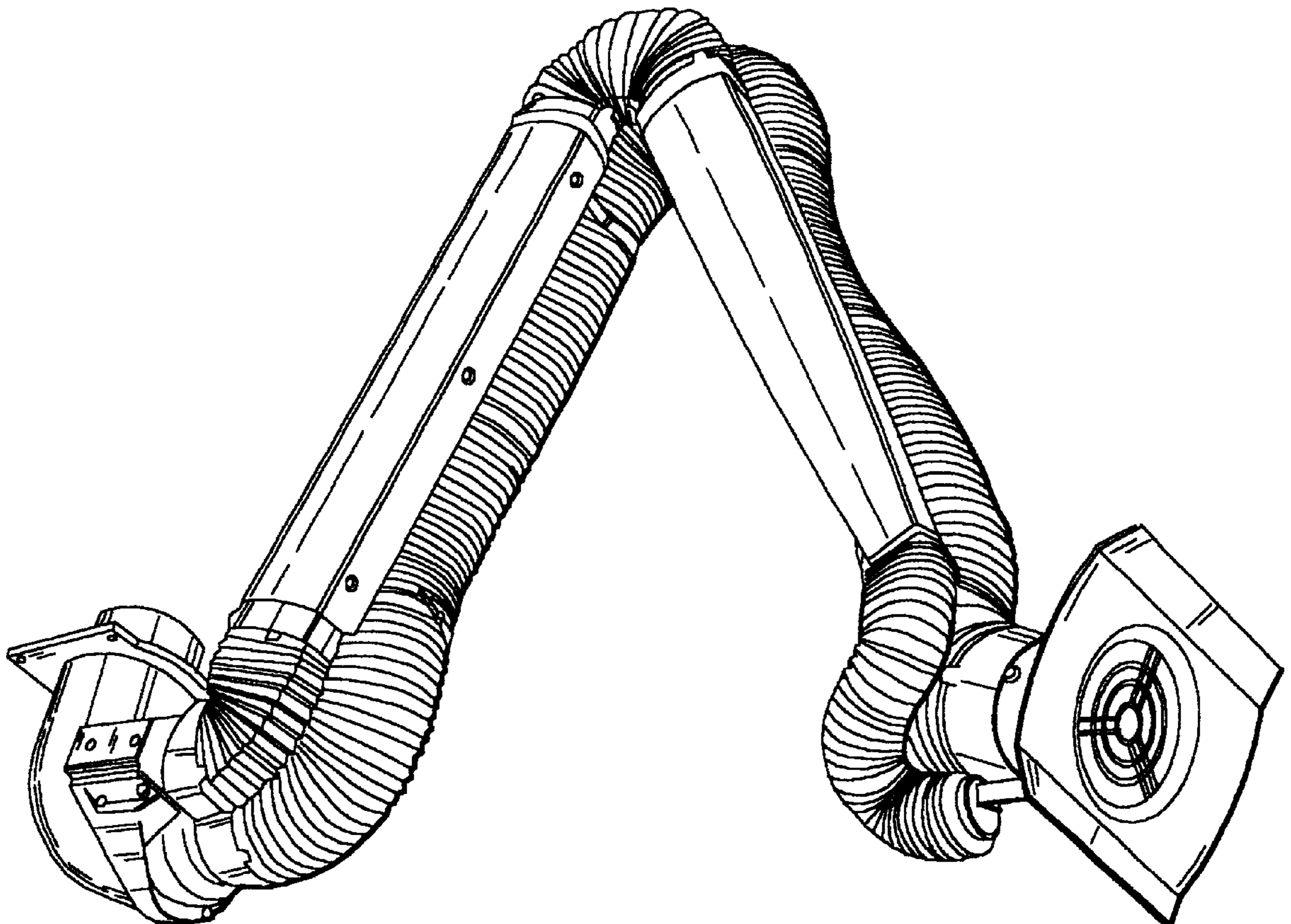
(57) **CLAIM**

The ornamental design for a extraction device for polluted gases, as shown and described.

DESCRIPTION

FIG. 1 is a perspective view of the extraction device; FIG. 2 is another perspective view of the extraction device; FIG. 3 is a side elevational view of the extraction device; FIG. 4 is a side elevational view of the opposite side of the extraction device; FIG. 5 is a front elevational view of the extraction device; FIG. 6 is a rear elevational view of the extraction device; FIG. 7 is a top plan view of the extraction device; and, FIG. 8 is a bottom plan view of the extraction device.

1 Claim, 8 Drawing Sheets



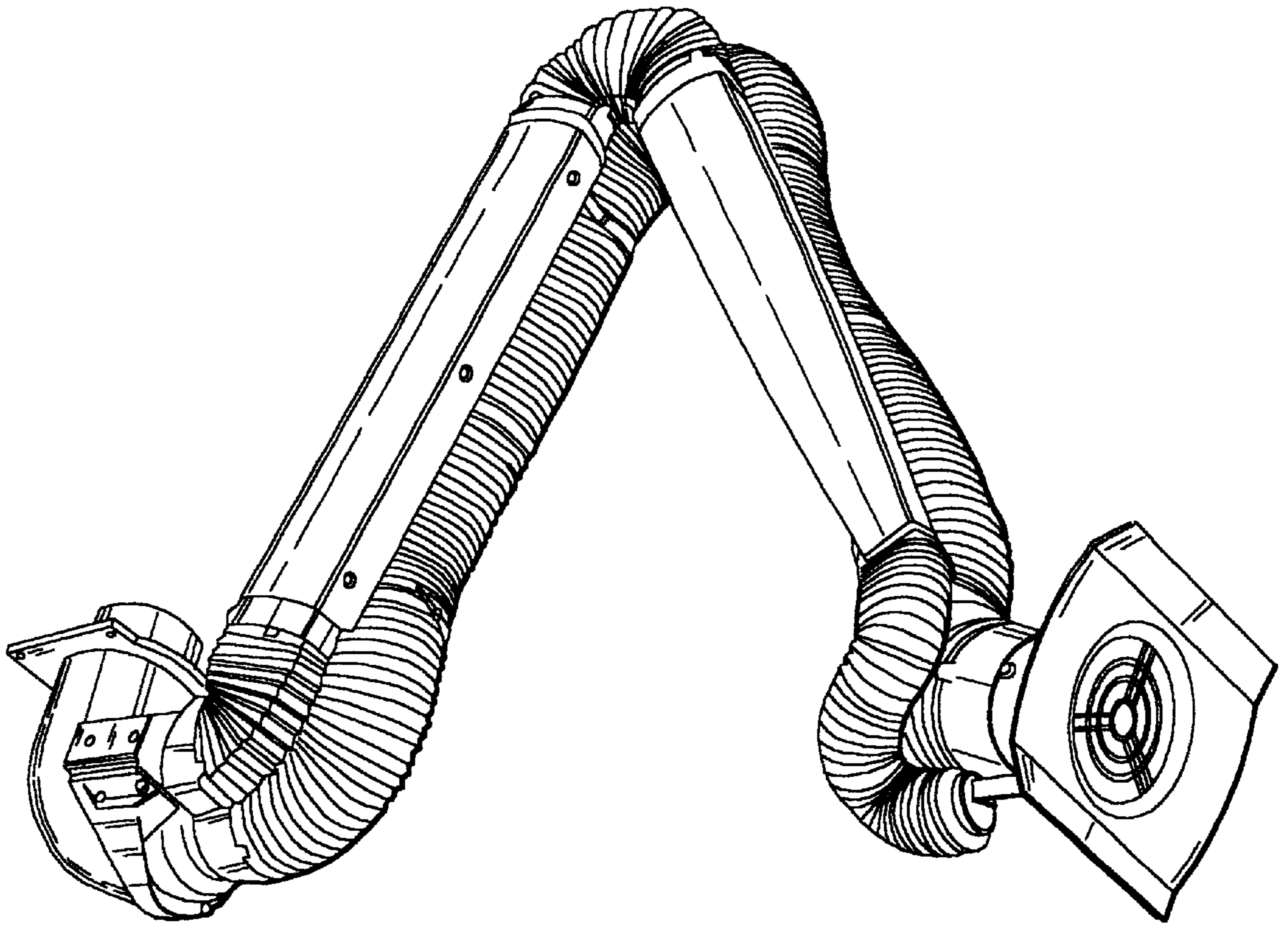


Fig.1

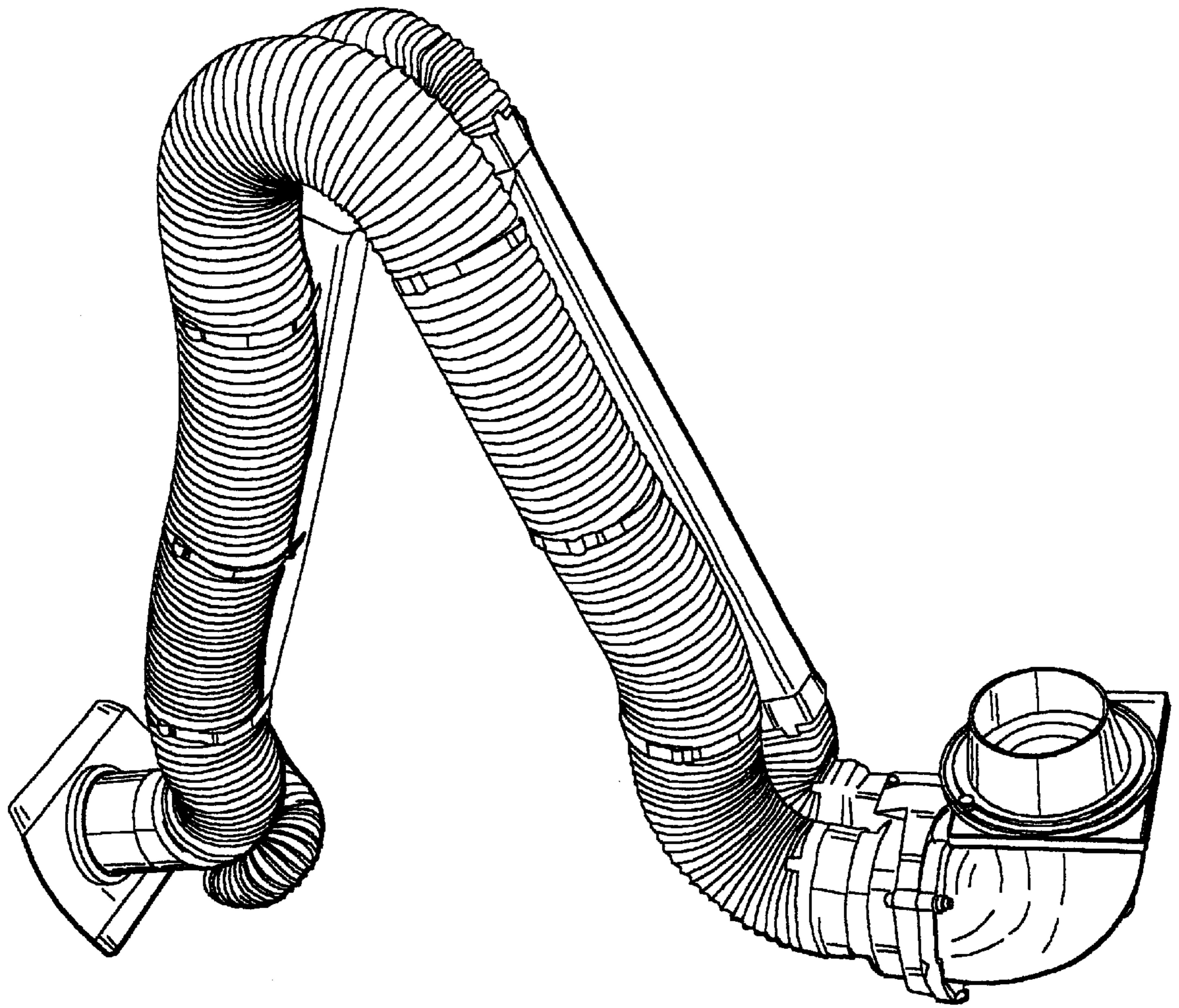


Fig.2

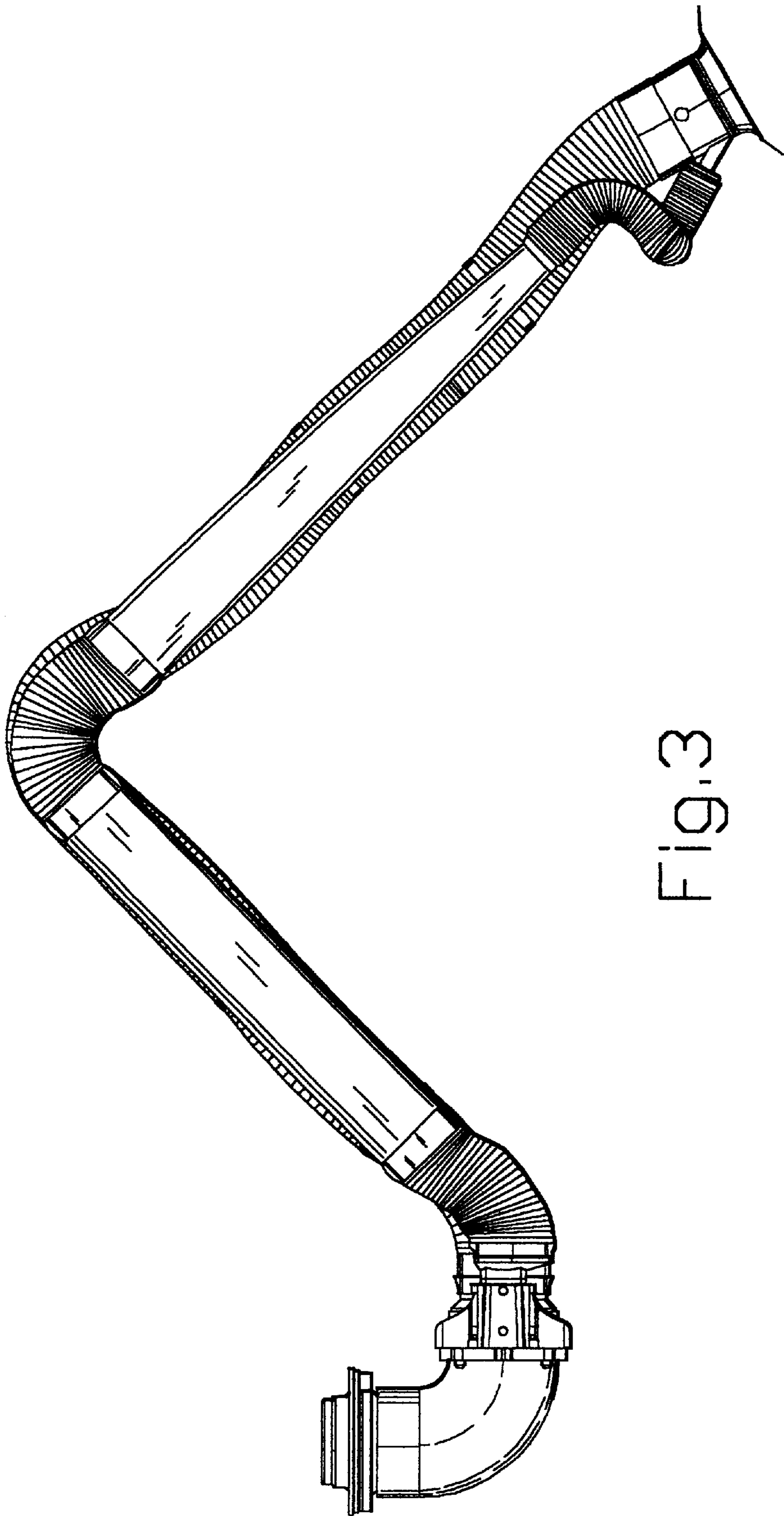


FIG. 3

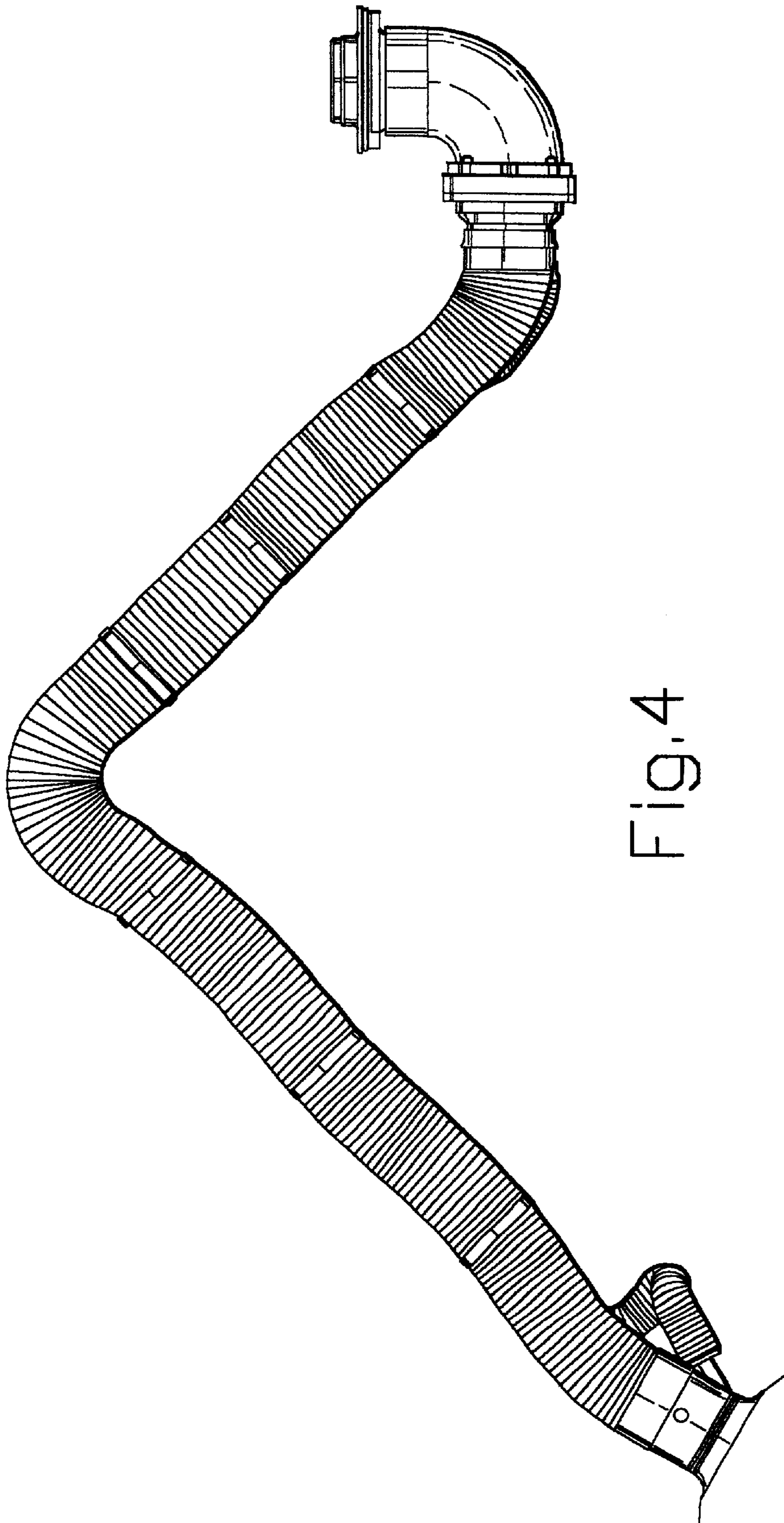


FIG. 4

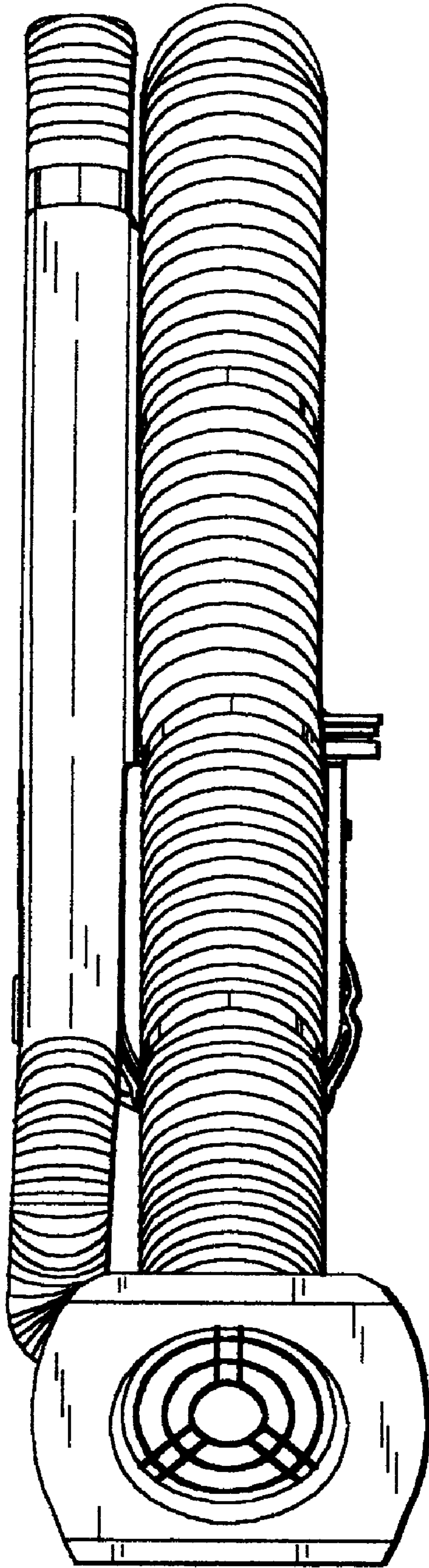


FIG. 5

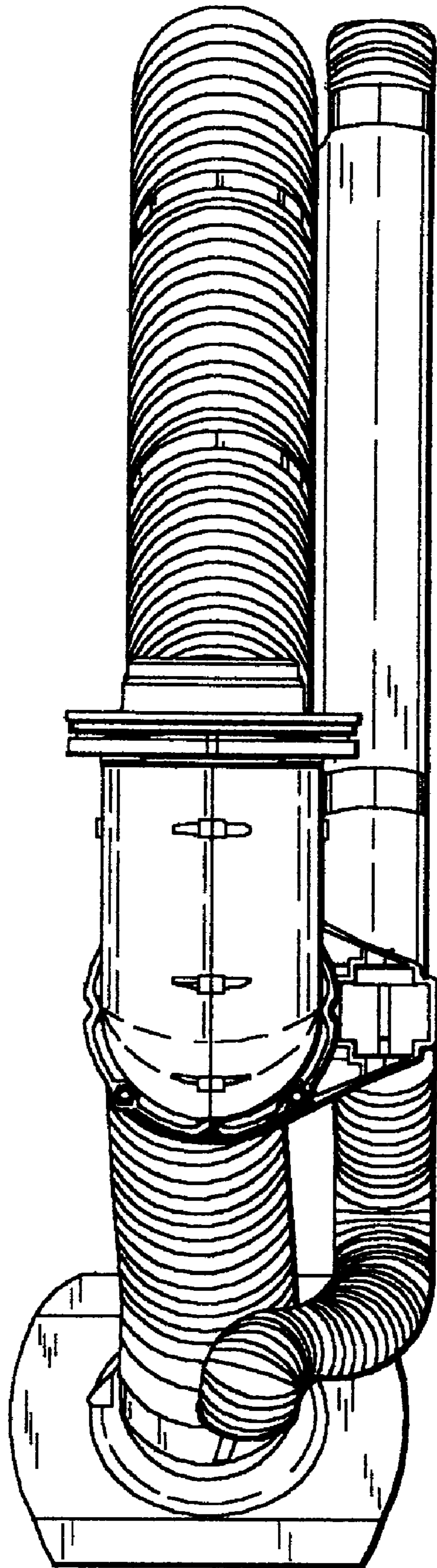


FIG. 6

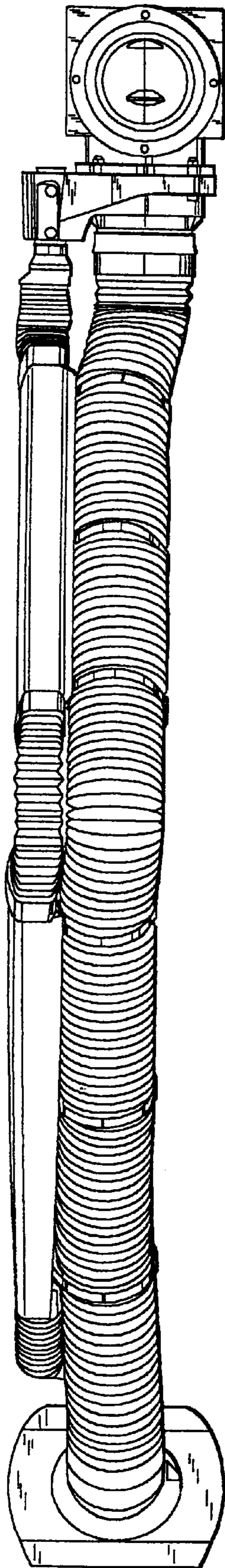


Fig. 7

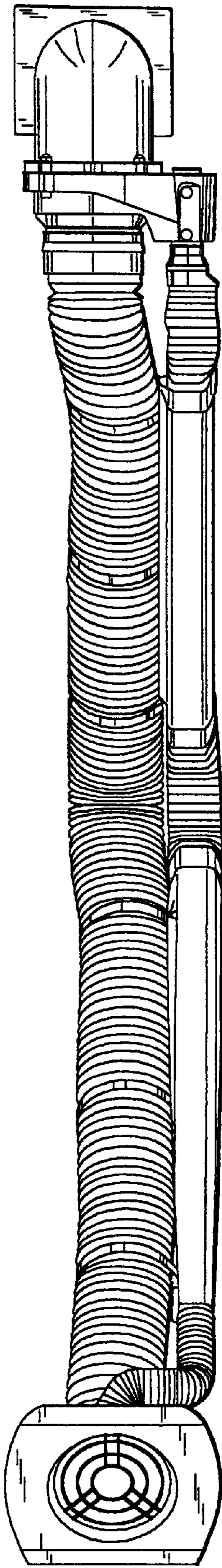


FIG. 8