



US00D463014S

(12) **United States Design Patent** (10) **Patent No.:** **US D463,014 S**  
**Lord** (45) **Date of Patent:** **\*\* Sep. 17, 2002**

- (54) **TUB SPOUT**
- (75) Inventor: **Judd A. Lord**, Carmel, IN (US)
- (73) Assignee: **Masco Corporation of Indiana**, Indianapolis, IN (US)
- (\*\*) Term: **14 Years**
- (21) Appl. No.: **29/136,829**
- (22) Filed: **Feb. 7, 2001**
- (51) **LOC (7) Cl.** ..... **23-01**
- (52) **U.S. Cl.** ..... **D23/257; D23/255**
- (58) **Field of Search** ..... **D23/238-257; 4/675-678; 16/110 R-121; 137/801**

U.S. patent application Ser. No. 29/136,835 filed Feb. 7, 2001.

\* cited by examiner

*Primary Examiner*—Louis S. Zarfaz  
*Assistant Examiner*—Gregory Andoll  
(74) *Attorney, Agent, or Firm*—Myron B. Kapustij; Lloyd D. Doigan

(57) **CLAIM**

The ornamental design for a tub spout, as shown and described.

**DESCRIPTION**

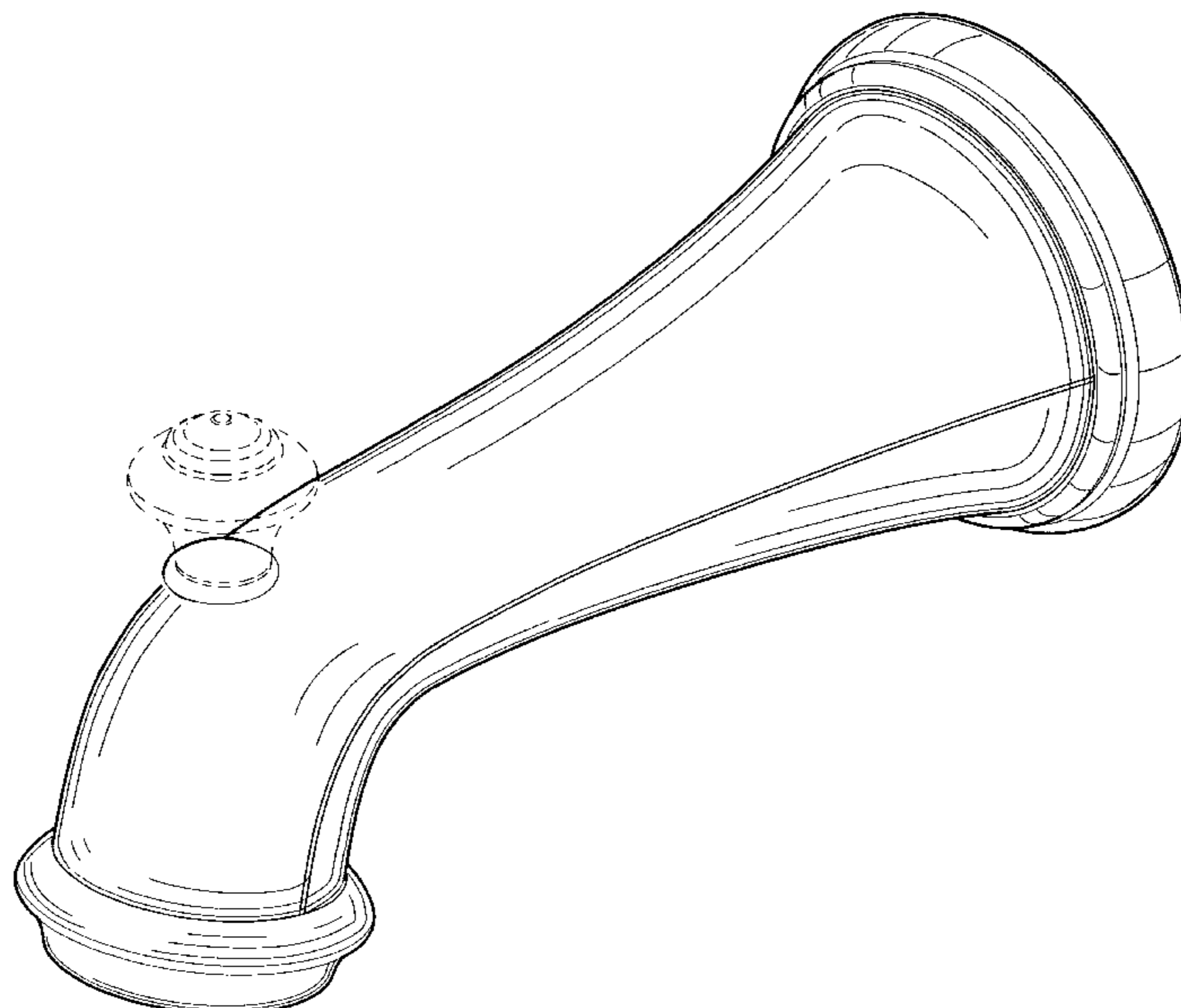
- (56) **References Cited**
- U.S. PATENT DOCUMENTS**
- D261,027 S \* 9/1981 Klose ..... D23/255
- D266,452 S \* 10/1982 Fleischmann et al. .... D23/257
- D296,235 S \* 6/1988 Schmitz ..... D23/257
- D317,350 S \* 6/1991 Freed ..... D23/257
- D339,412 S 9/1993 Hill et al.
- D344,575 S 2/1994 Hill et al.
- D346,645 S 5/1994 Hill et al.
- D353,877 S \* 12/1994 Rogers ..... D23/255
- D365,143 S \* 12/1995 Fabian ..... D23/255
- D366,100 S \* 1/1996 Doughty et al. .... D23/255
- D379,849 S 6/1997 Hill et al.
- D411,874 S \* 7/1999 Ko ..... D23/255
- D442,265 S \* 5/2001 Marinov et al. .... D23/255
- D442,266 S \* 5/2001 Marinov et al. .... D23/257

- FIG. 1 is a top front perspective view of the tub spout showing my new design;
- FIG. 2 is a top rear perspective view thereof;
- FIG. 3 is a left side elevational view thereof, the right side being a mirror image;
- FIG. 4 is a top plan view thereof;
- FIG. 5 is a rear elevational view thereof;
- FIG. 6 is a front elevational view thereof; and,
- FIG. 7 is a bottom plan view thereof.

The broken line showing of the diverter valve handle in FIGS. 1 and 2, and of the diverter valve handle aperture in FIG. 4, are for purposes of illustration only and forms no part of the claimed design.

- OTHER PUBLICATIONS**
- U.S. patent application Ser. No. 29/136,762 filed Feb. 7, 2001.
- U.S. patent application Ser. No. 29/136,764 filed Feb. 7, 2001.

**1 Claim, 6 Drawing Sheets**



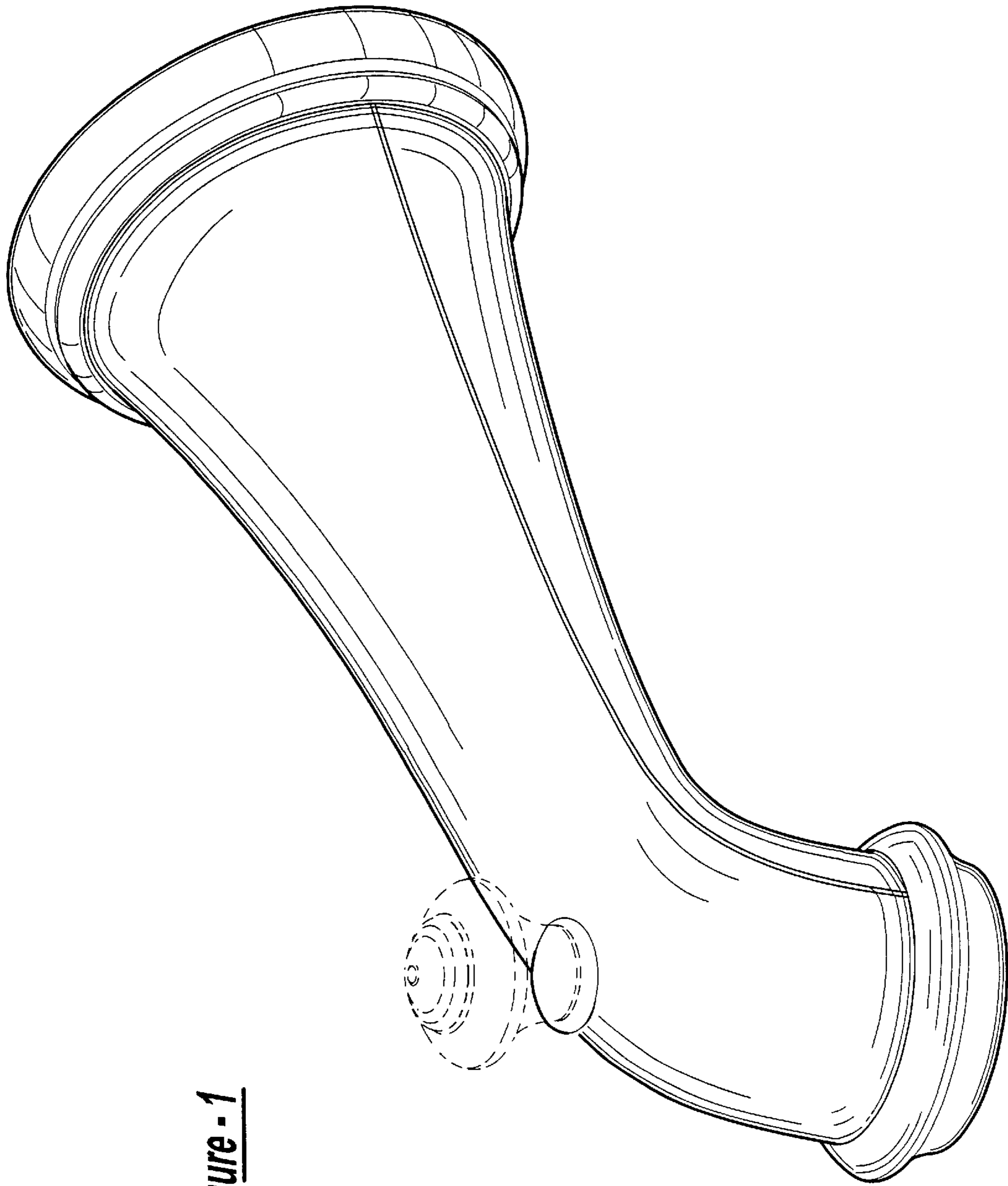


Figure - 1

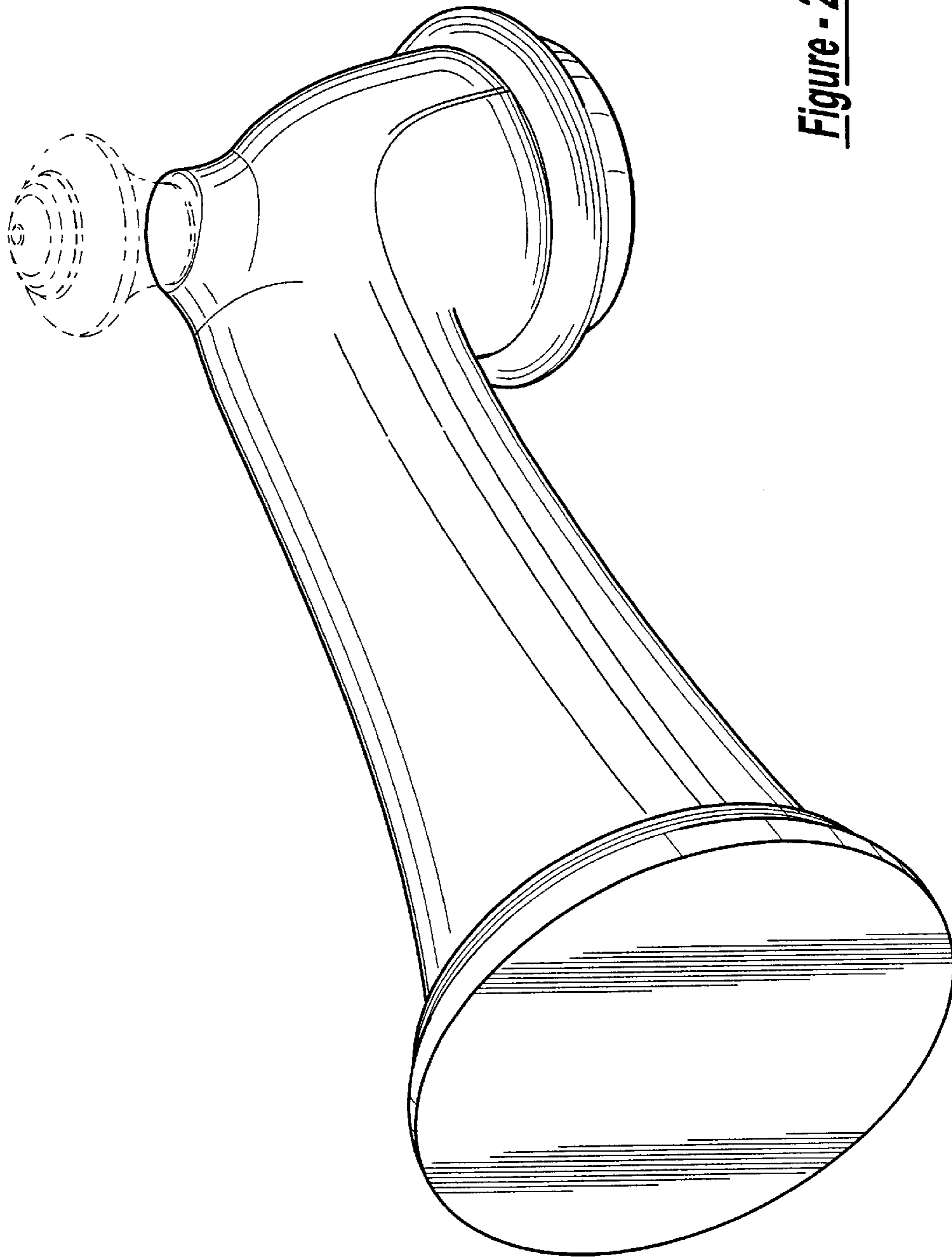


Figure - 2

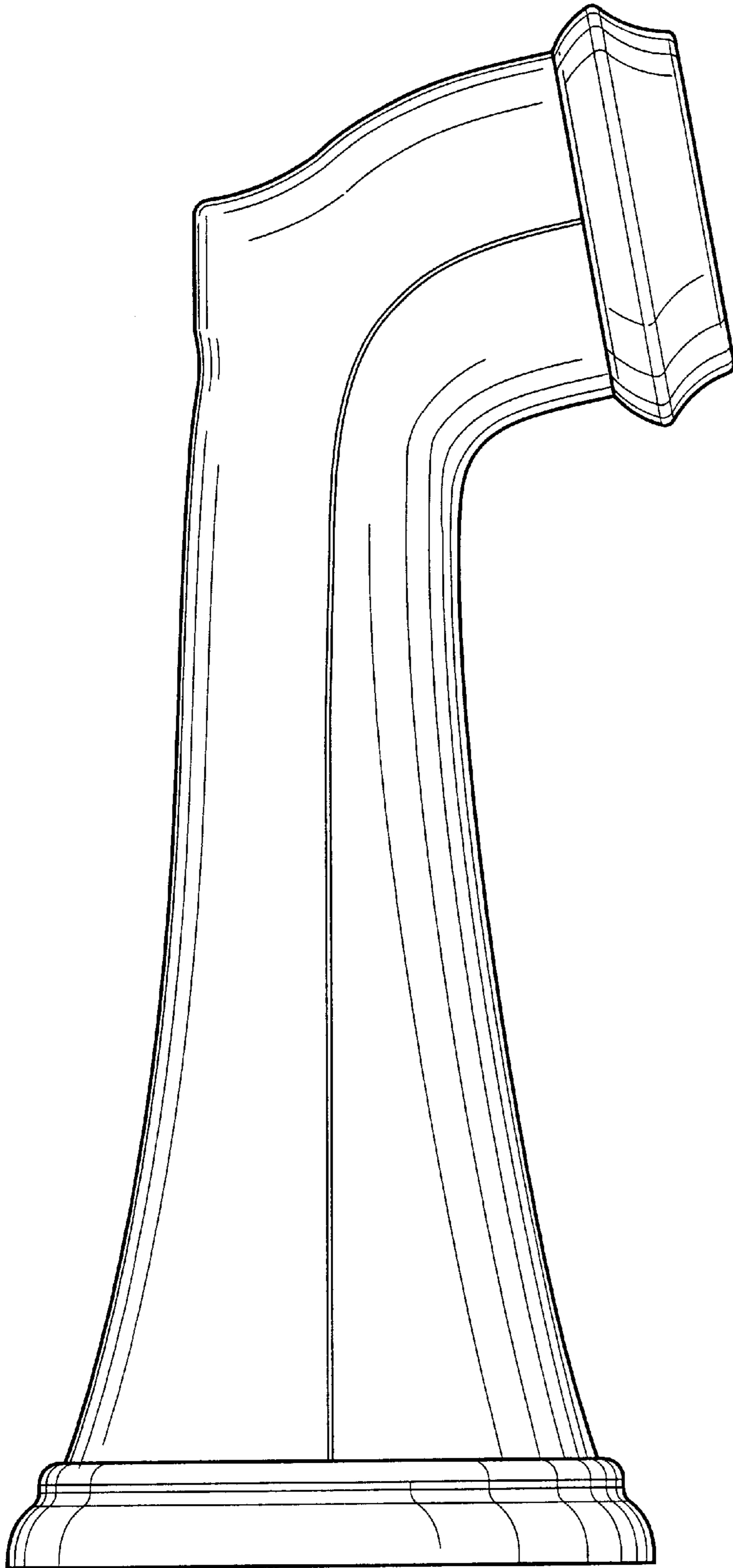


Figure - 3

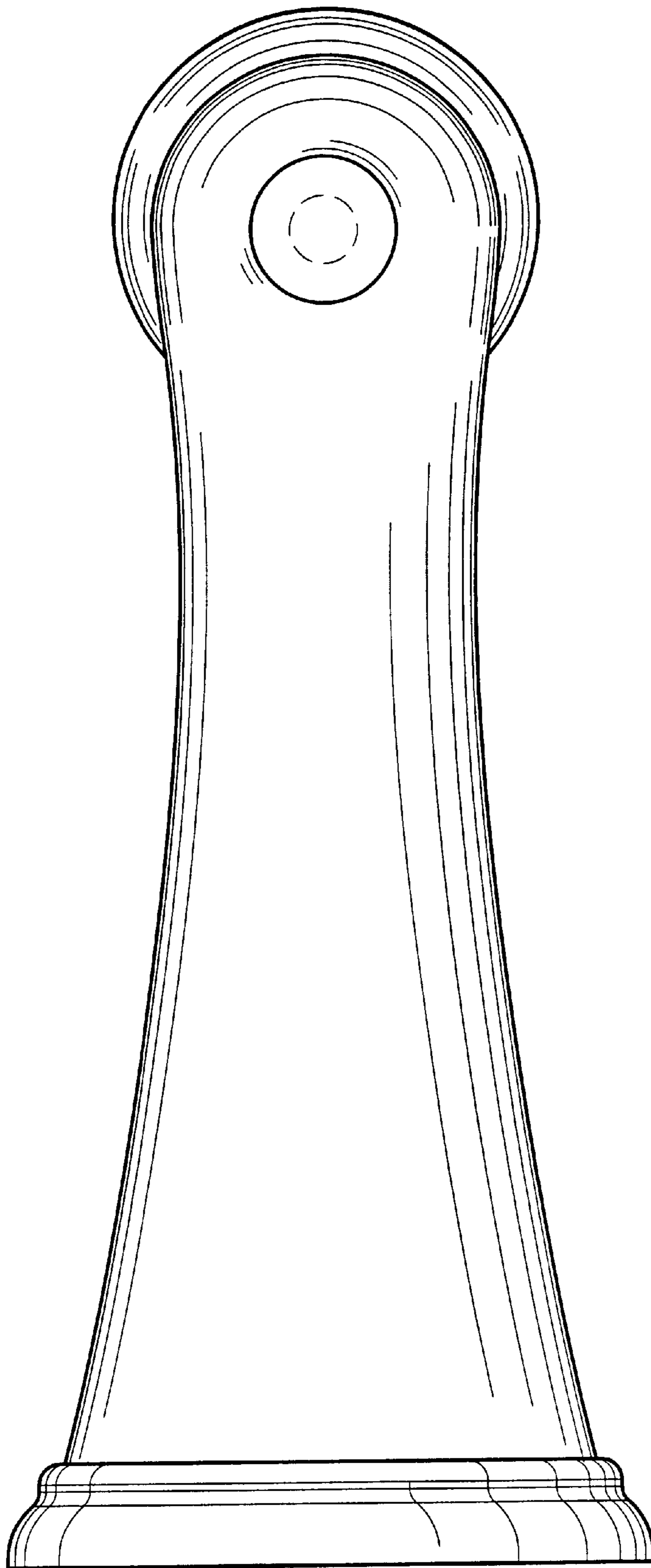


Figure - 4



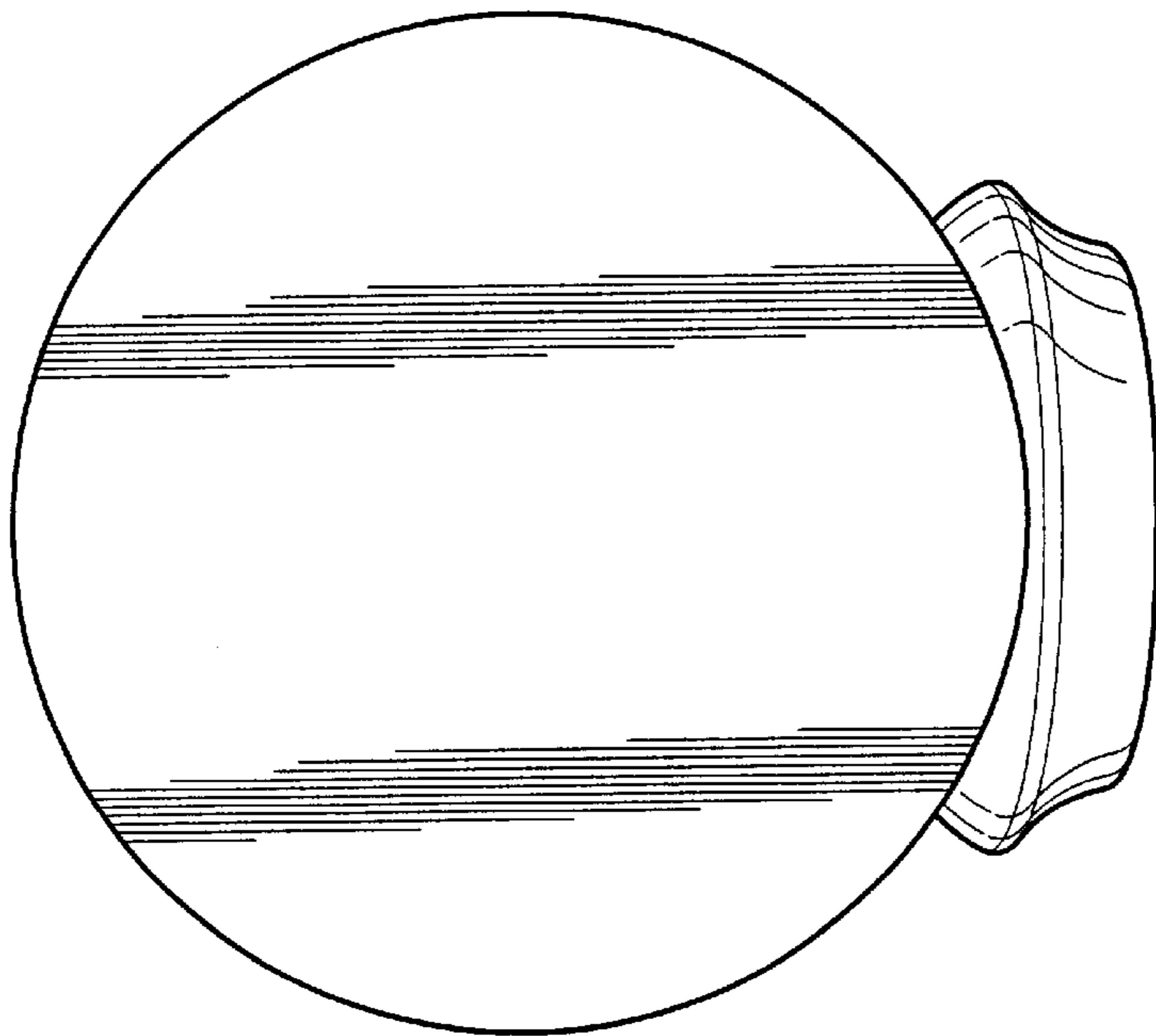


Figure - 5

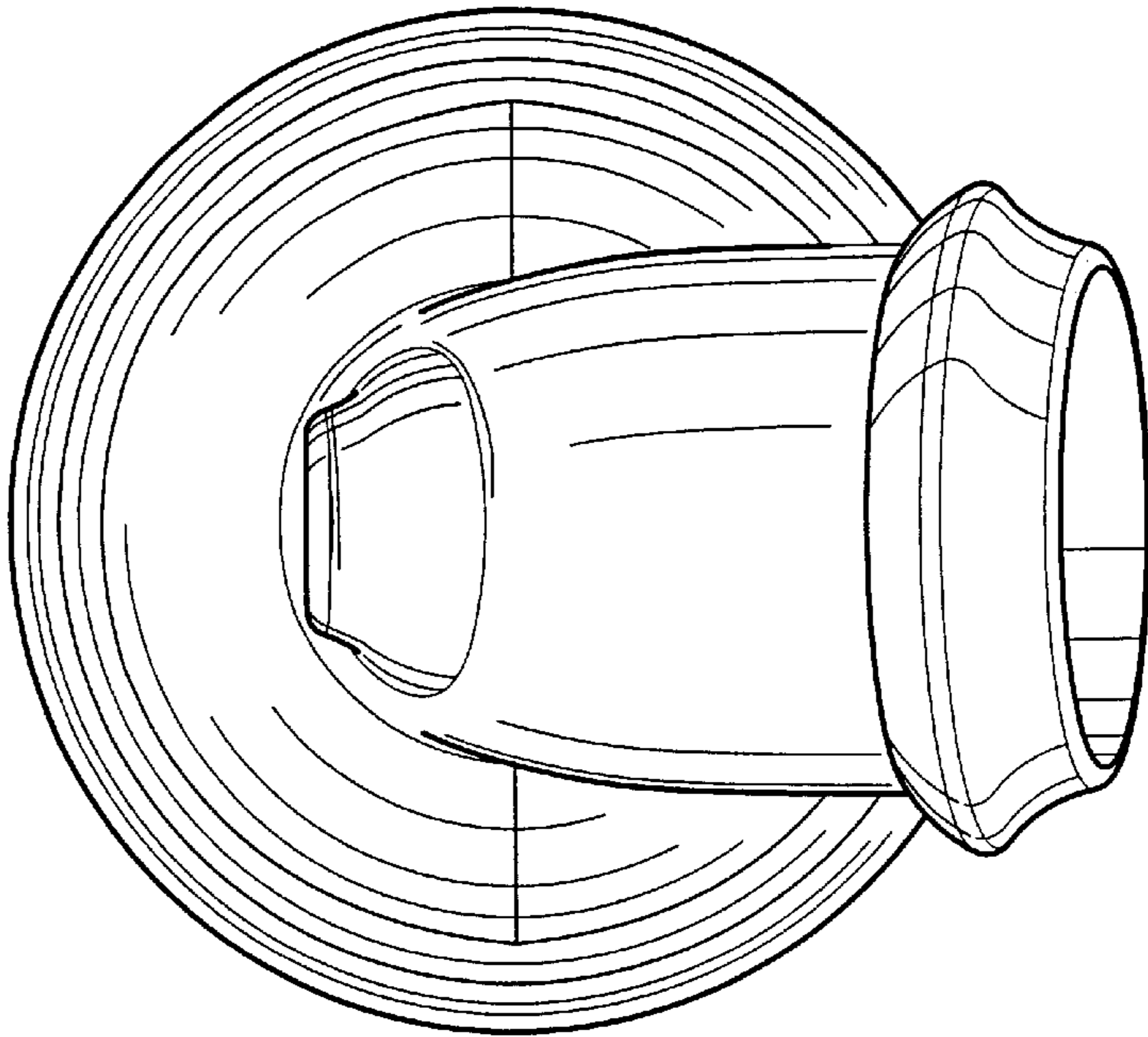


Figure - 6

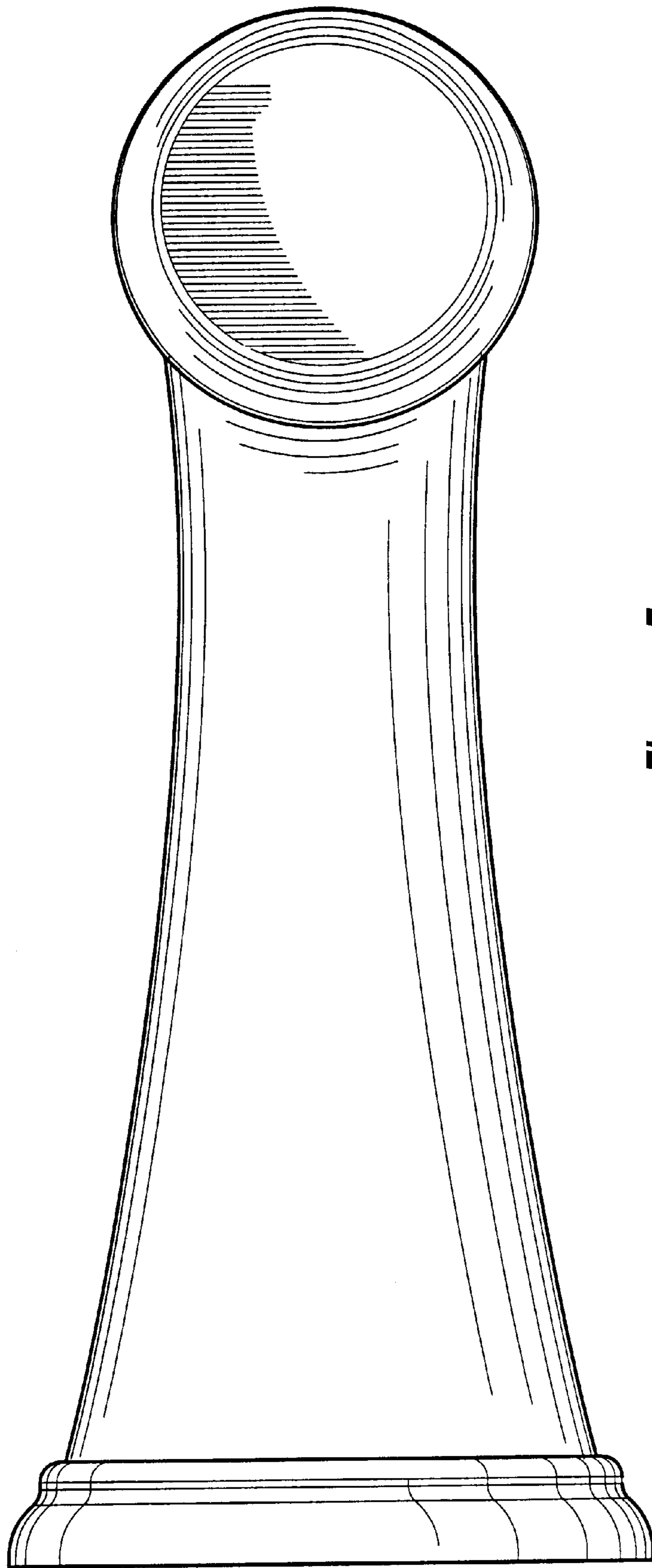


Figure - 7