



US00D463013S

(12) **United States Design Patent**  
**Green et al.**

(10) **Patent No.:** **US D463,013 S**

(45) **Date of Patent:** **\*\* Sep. 17, 2002**

(54) **FAUCET SPOUT**

(75) Inventors: **Eric Green**, Cleveland Heights, OH (US); **Douglas A. Kemp**, North Ridgeville, OH (US)

(73) Assignee: **Moen Incorporated**, North Olmsted, OH (US)

(\*\*) Term: **14 Years**

(21) Appl. No.: **29/135,915**

(22) Filed: **Jan. 19, 2001**

(51) **LOC (7) Cl.** ..... **23-01**

(52) **U.S. Cl.** ..... **D23/255**

(58) **Field of Search** ..... D23/238-243, D23/250-257; 4/675-678; 137/801; D8/300-310

(56) **References Cited**

**U.S. PATENT DOCUMENTS**

D200,622 S	3/1965	Whitener, Jr.
D276,259 S	11/1984	Miller
D280,010 S	8/1985	Miller et al.
D286,561 S	11/1986	Yost
D287,747 S	1/1987	Miller et al.
D288,835 S	3/1987	Yost
D295,551 S	5/1988	Yost
D296,461 S	6/1988	Yost
D312,495 S	11/1990	Joerger
D314,813 S	2/1991	Jans
D318,906 S	8/1991	Spangler
D320,645 S	10/1991	Knapp et al.
D321,750 S	11/1991	Spangler
D327,529 S	6/1992	Dannenberg
D327,944 S	7/1992	Stairs, Jr. et al.
D328,782 S	8/1992	Paterson et al.
D329,083 S	9/1992	Dannenberg
D331,275 S	11/1992	Knapp
D337,812 S	7/1993	Bray
D350,390 S	9/1994	Bollenbacher
D352,095 S	11/1994	Bollenbacher
D363,974 S	11/1995	Doughty et al.
D363,975 S	11/1995	Doughty et al.

D364,215 S	11/1995	Starck
D366,517 S	1/1996	Doughty et al.
D368,302 S	3/1996	Doughty et al.
D373,179 S	8/1996	Sieger
D373,617 S	9/1996	Doughty et al.
D374,478 S	10/1996	Doughty et al.
D374,706 S	10/1996	Doughty et al.
D374,707 S	10/1996	Doughty et al.
D375,142 S	10/1996	Doughty et al.
D375,144 S	10/1996	Doughty et al.
D375,147 S	10/1996	Doughty et al.
D376,413 S	12/1996	Kergoet
D377,517 S	1/1997	Doughty et al.
D381,400 S	7/1997	Doughty et al.
D381,401 S	7/1997	Doughty et al.
D382,330 S	8/1997	Doughty et al.
D384,130 S	9/1997	Doughty et al.
D384,131 S	9/1997	Doughty et al.
D384,132 S	9/1997	Doughty et al.
D406,323 S	3/1999	Snyder
D406,876 S	3/1999	Ko
D409,292 S	5/1999	Hyde et al.
D418,202 S	12/1999	Warshawsky et al.
D418,578 S	1/2000	Warshawsky et al.

*Primary Examiner*—Louis S. Zarfes  
*Assistant Examiner*—Gregory Andoll  
(74) *Attorney, Agent, or Firm*—Cook, Alex, McFarron, Manzo, Cummings & Mehler, Ltd.

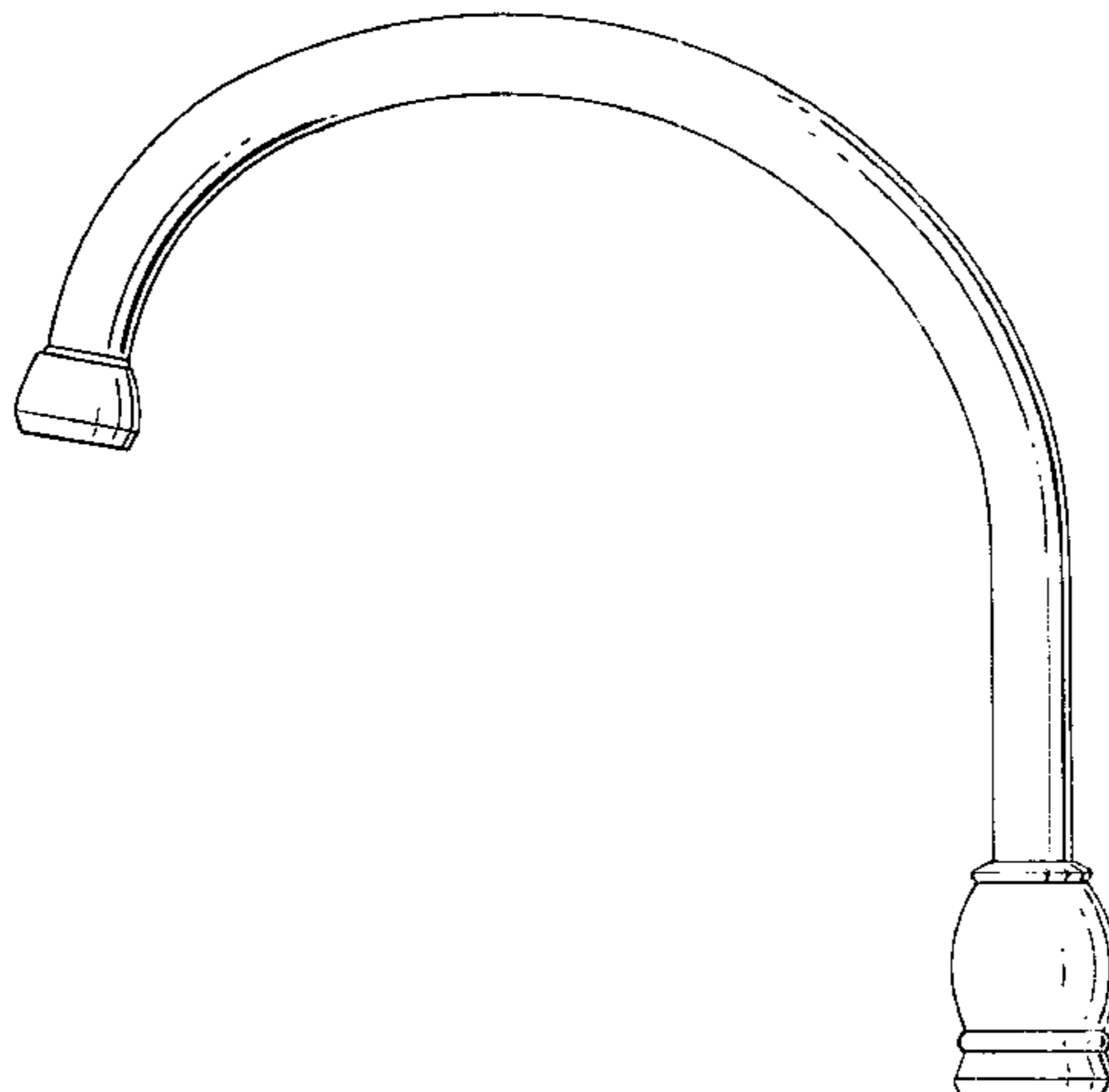
(57) **CLAIM**

The ornamental design for a faucet spout, as shown and described.

**DESCRIPTION**

FIG. 1 is a perspective view of our new design for a faucet spout;  
FIG. 2 is a front view thereof;  
FIG. 3 is a right side view thereof, the left side being the same as the right side;  
FIG. 4 is a top view thereof;  
FIG. 5 is a bottom view thereof; and,  
FIG. 6 is a rear view thereof.

**1 Claim, 2 Drawing Sheets**



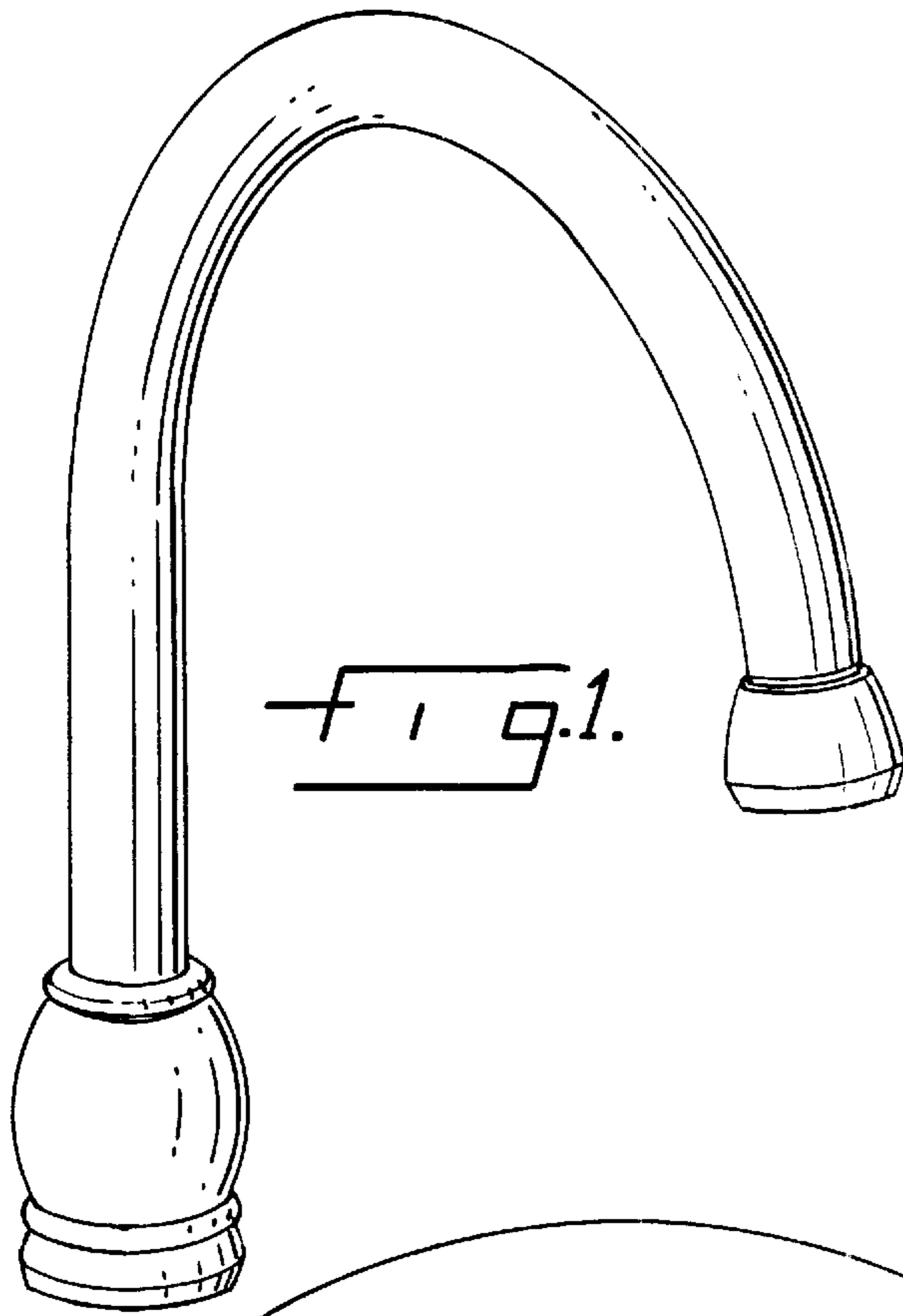


Fig. 2.

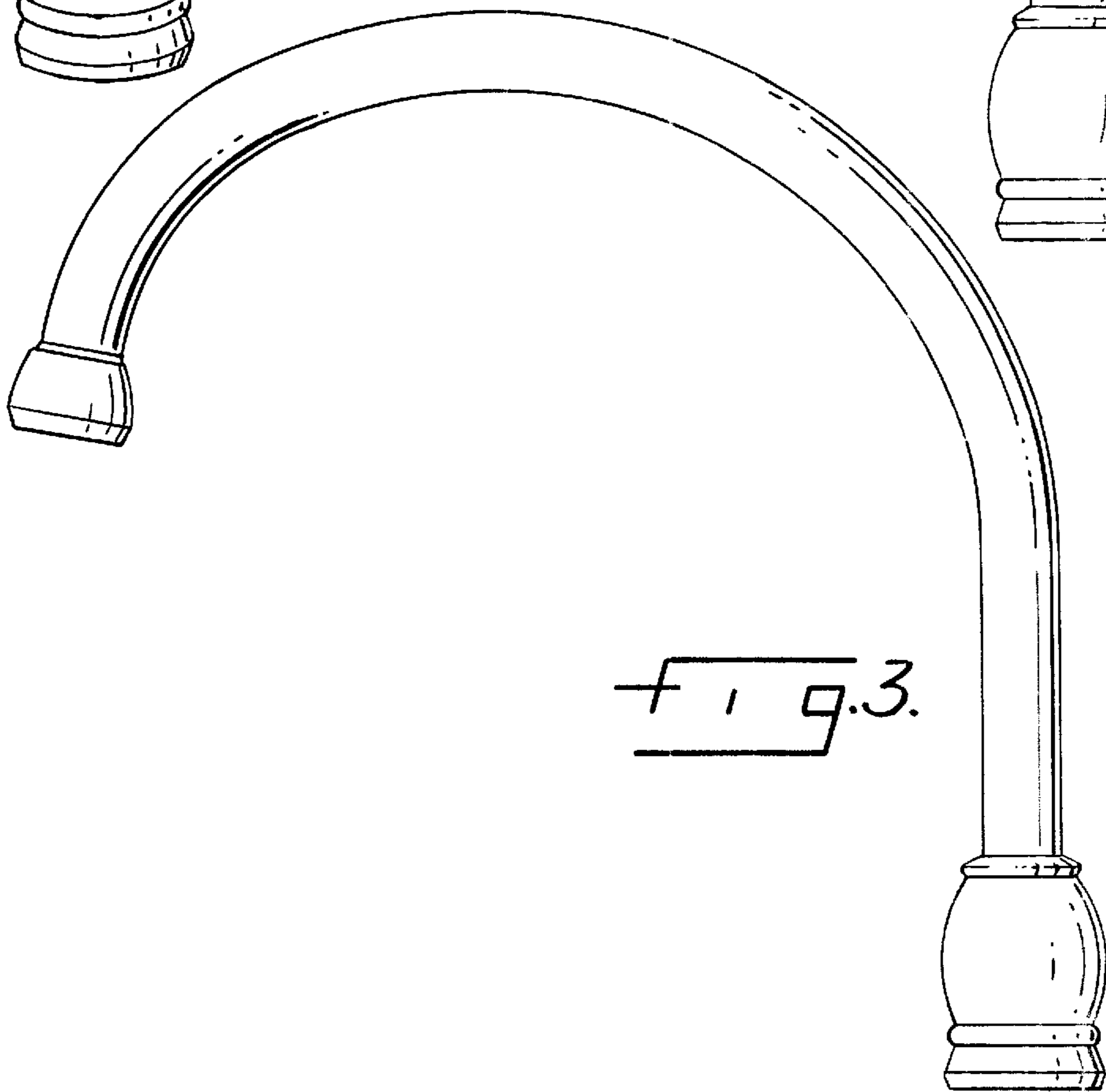
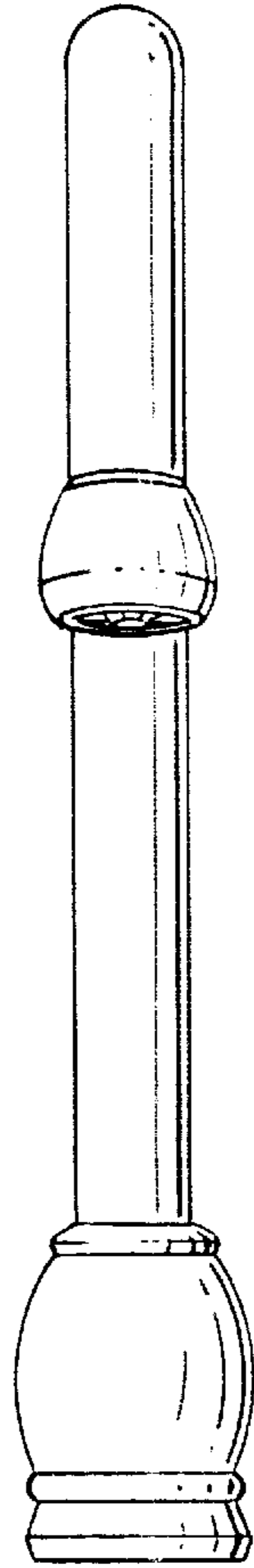


Fig. 3.

Fig. 4.

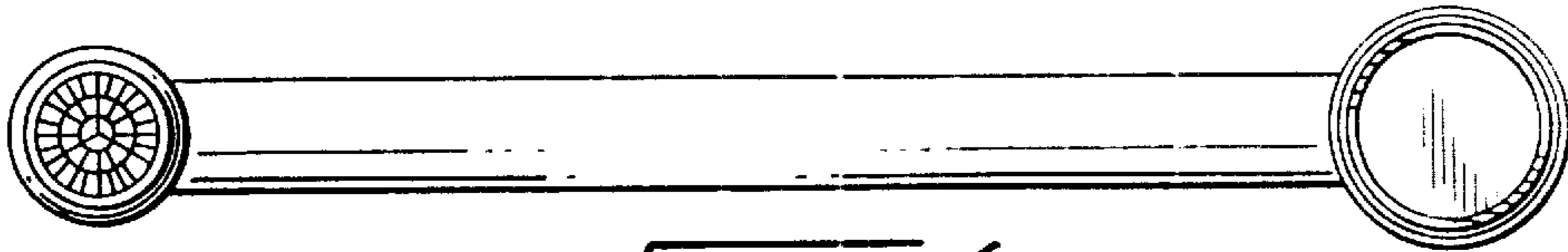
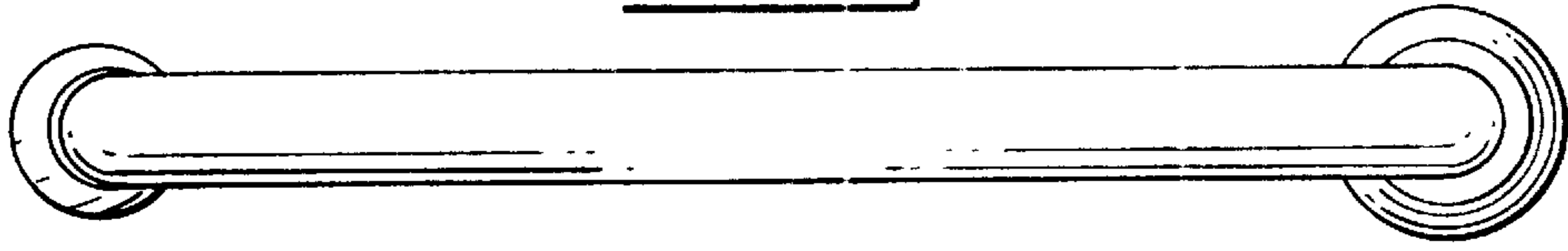


Fig. 6.

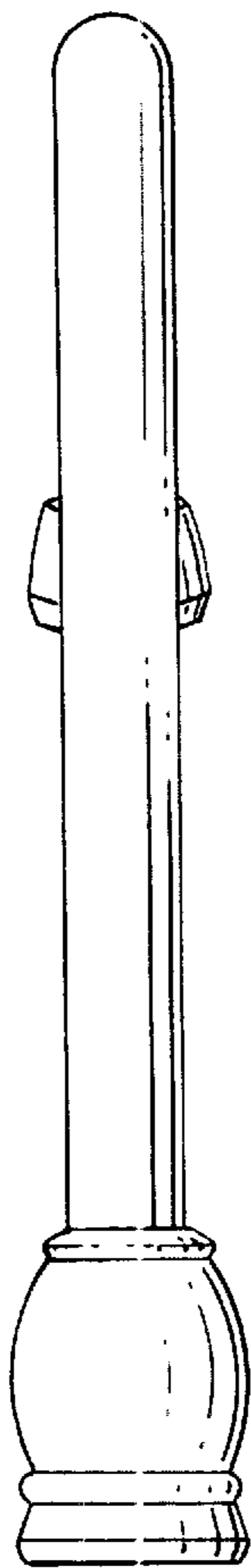


Fig. 5.