



US00D463011S

(12) **United States Design Patent**
Hirose et al.

(10) **Patent No.:** **US D463,011 S**

(45) **Date of Patent:** **** Sep. 17, 2002**

(54) **VALVE**

(75) Inventors: **Katsunori Hirose**, Komaki (JP);
Takashi Yajima, Komaki (JP)

(73) Assignee: **CKD Corporation** (JP)

(**) Term: **14 Years**

(21) Appl. No.: **29/151,484**

(22) Filed: **Oct. 26, 2001**

(30) **Foreign Application Priority Data**

Apr. 27, 2001 (JP) 2001-012655

(51) **LOC (7) Cl.** **23-01**

(52) **U.S. Cl.** **D23/245**

(58) **Field of Search** D23/233-250,
D23/245; 137/116.3, 884, 504.42, 553,
505, 328, 375.13, 556.6; 251/324, 366,
349, 352

(56) **References Cited**

U.S. PATENT DOCUMENTS

D207,766 S * 5/1967 Keane D23/245
3,572,283 A * 3/1971 Ashman 251/324
4,696,320 A * 9/1987 Bull 137/116.5

4,759,529 A * 7/1988 Berger et al. 251/328
5,452,741 A * 9/1995 Tomita et al. 137/505.26
5,586,569 A * 12/1996 Hanning et al. 137/116.5
5,771,921 A * 6/1998 Johnson 137/505

* cited by examiner

Primary Examiner—Nelson C. Holtje

(74) *Attorney, Agent, or Firm*—Stetina Brunda Garred & Brucker

(57) **CLAIM**

The ornamental design for a valve, as shown and described.

DESCRIPTION

FIG. 1 is a front elevational view showing a valve according to the present invention;

FIG. 2 is a rear elevational view of the valve of FIG. 1;

FIG. 3 is a top plan view of the valve of FIG. 1;

FIG. 4 is a bottom plan view of the valve of FIG. 1;

FIG. 5 is a right side elevational view of the valve of FIG. 1;

FIG. 6 is a left side elevational view of the valve of FIG. 1; and,

FIG. 7 is a top front perspective view of the valve of FIG. 1.

1 Claim, 2 Drawing Sheets

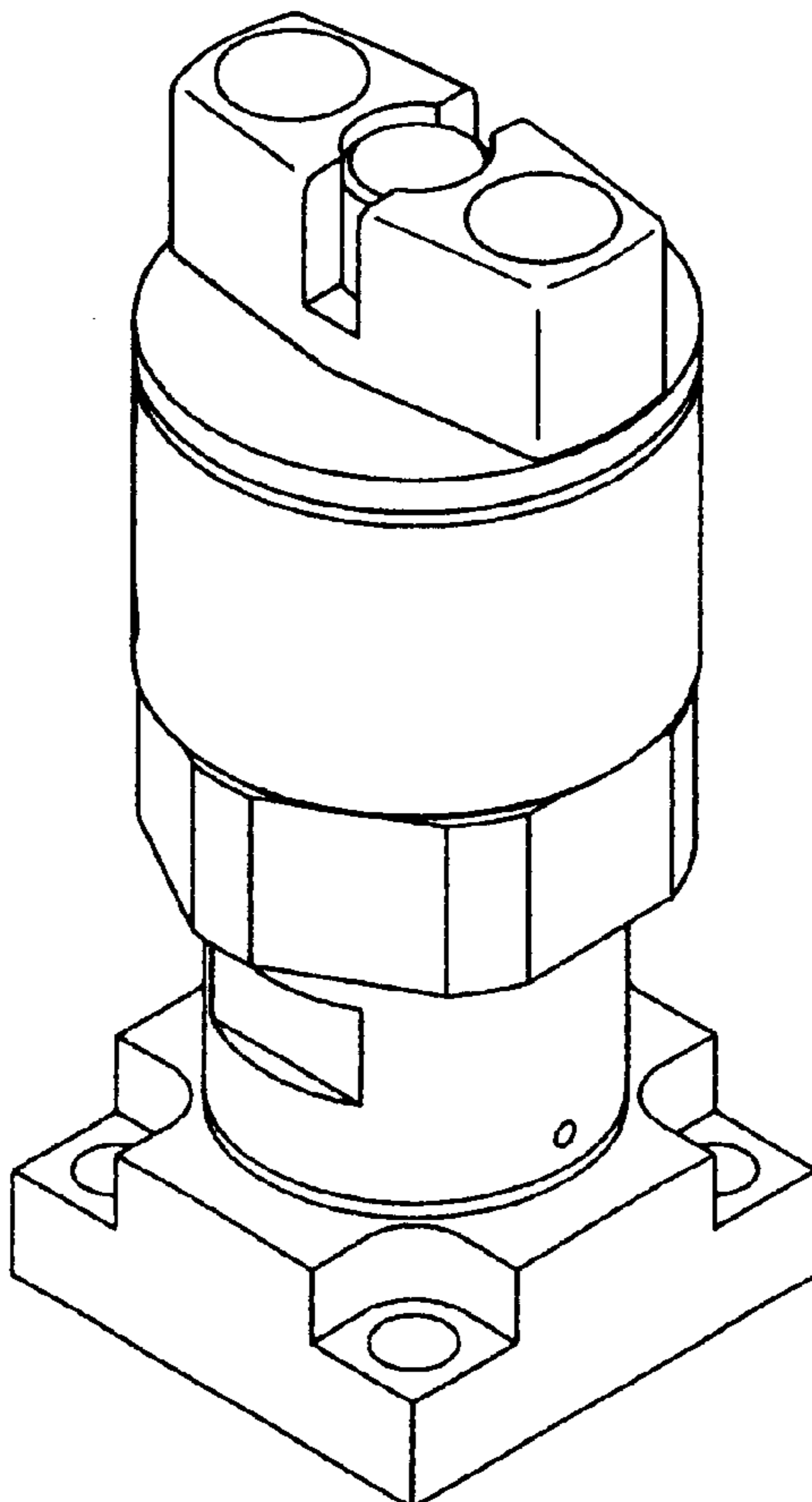


Fig. 1

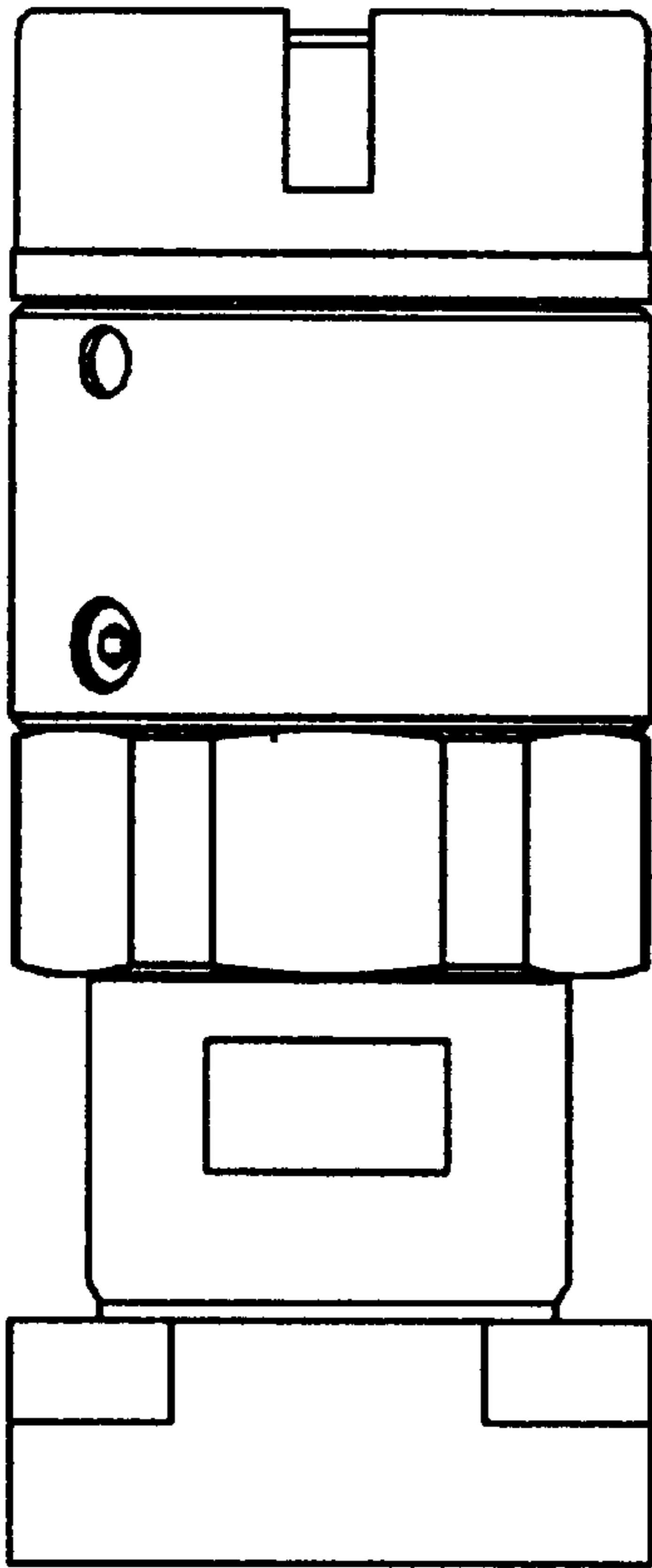


Fig. 2

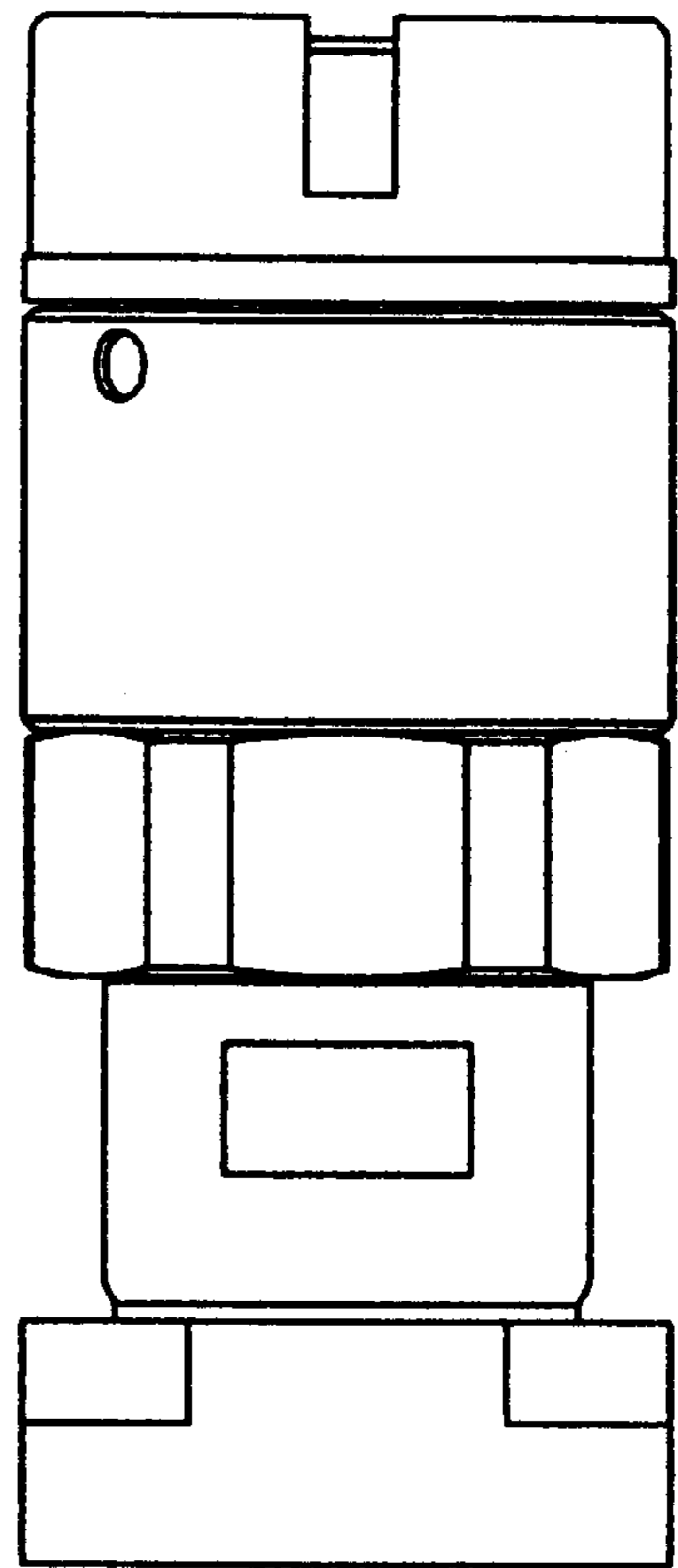


Fig. 3

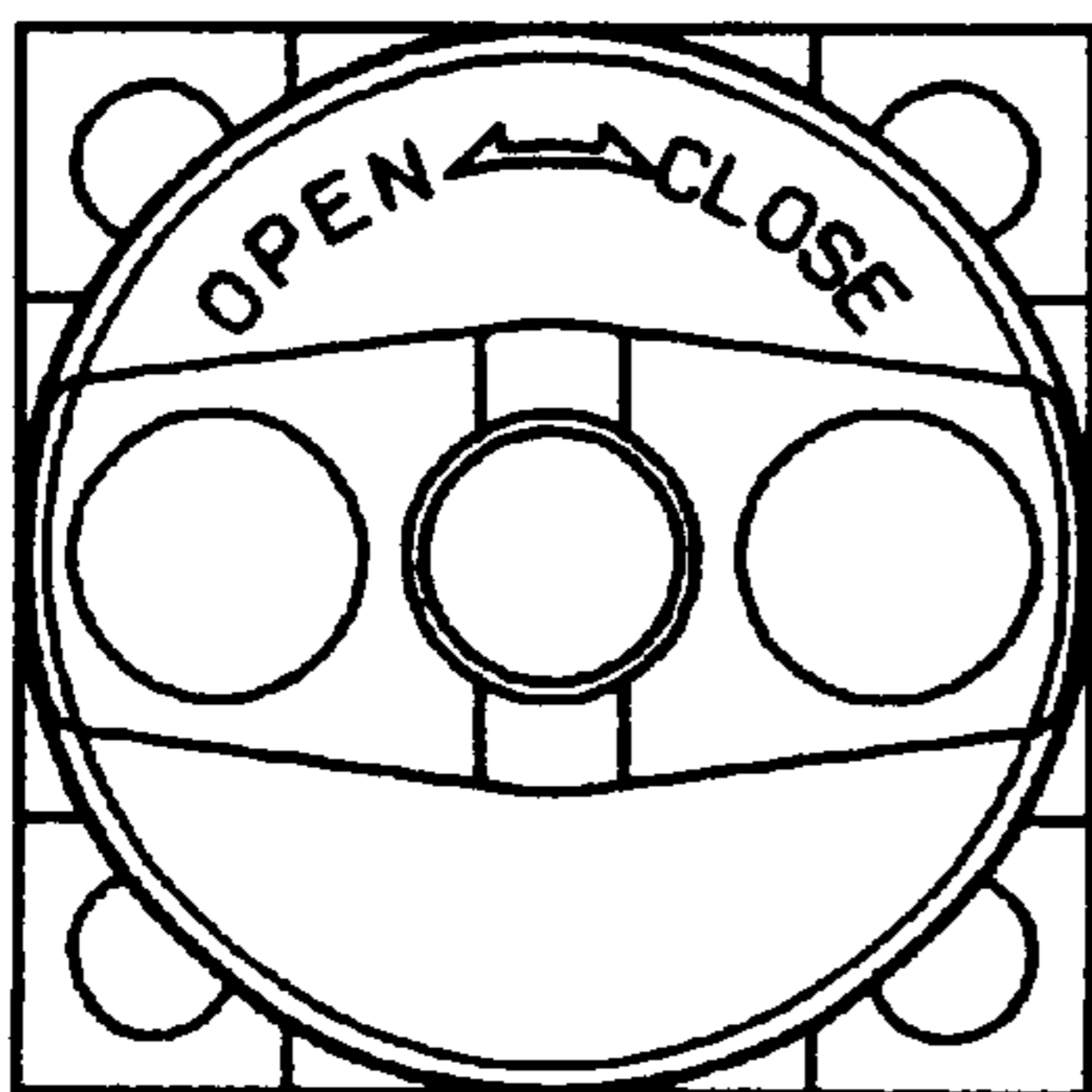


Fig. 4

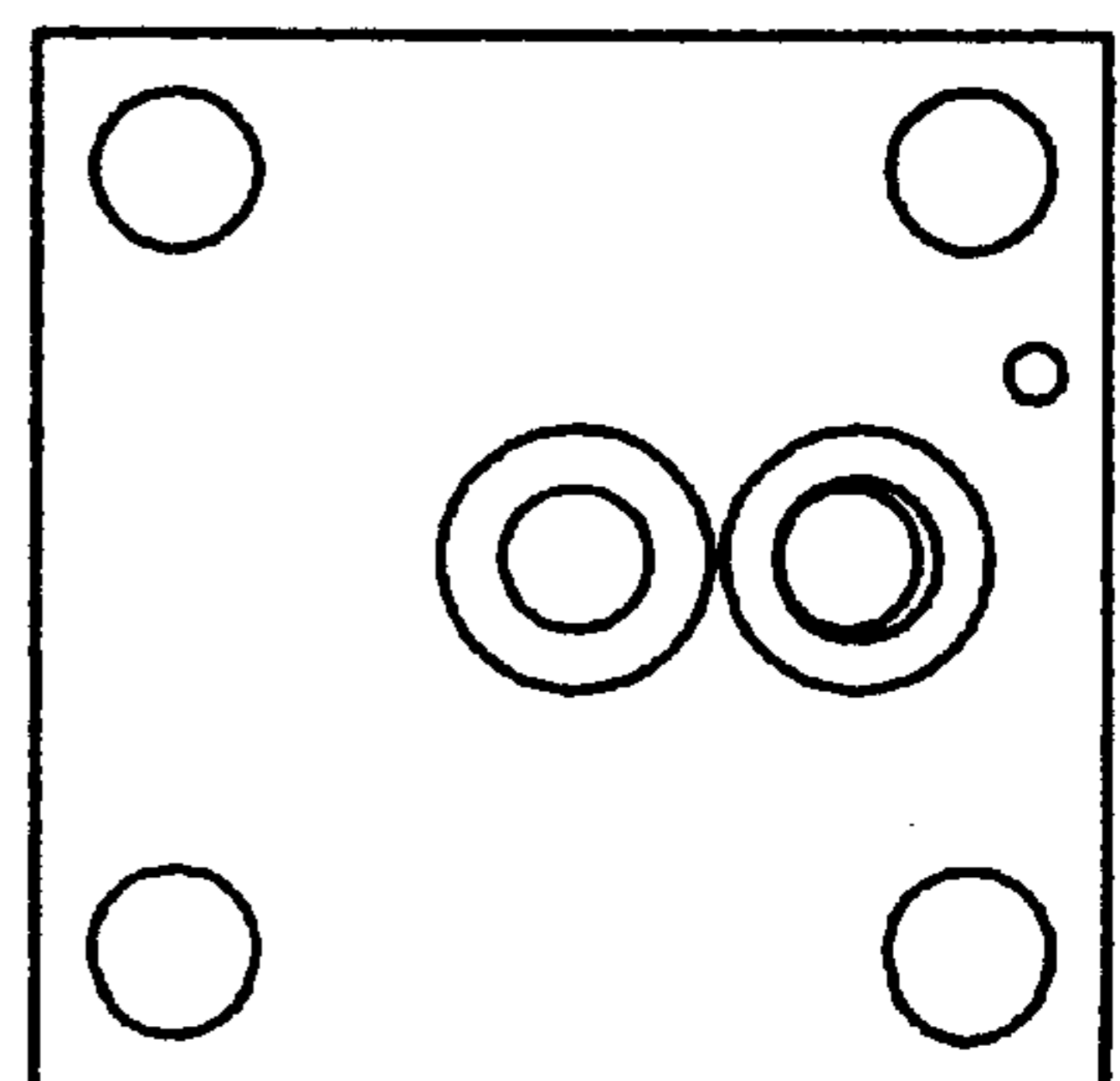


Fig. 5

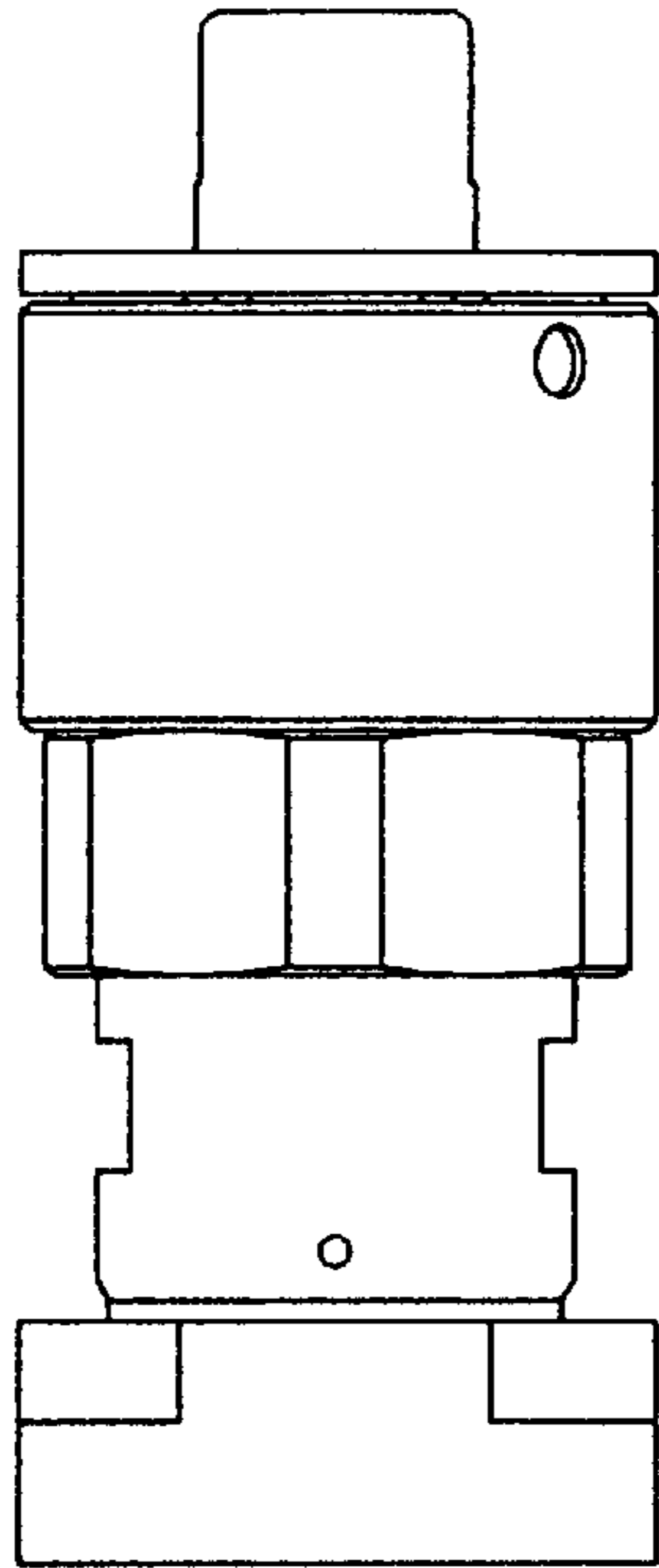


Fig. 6

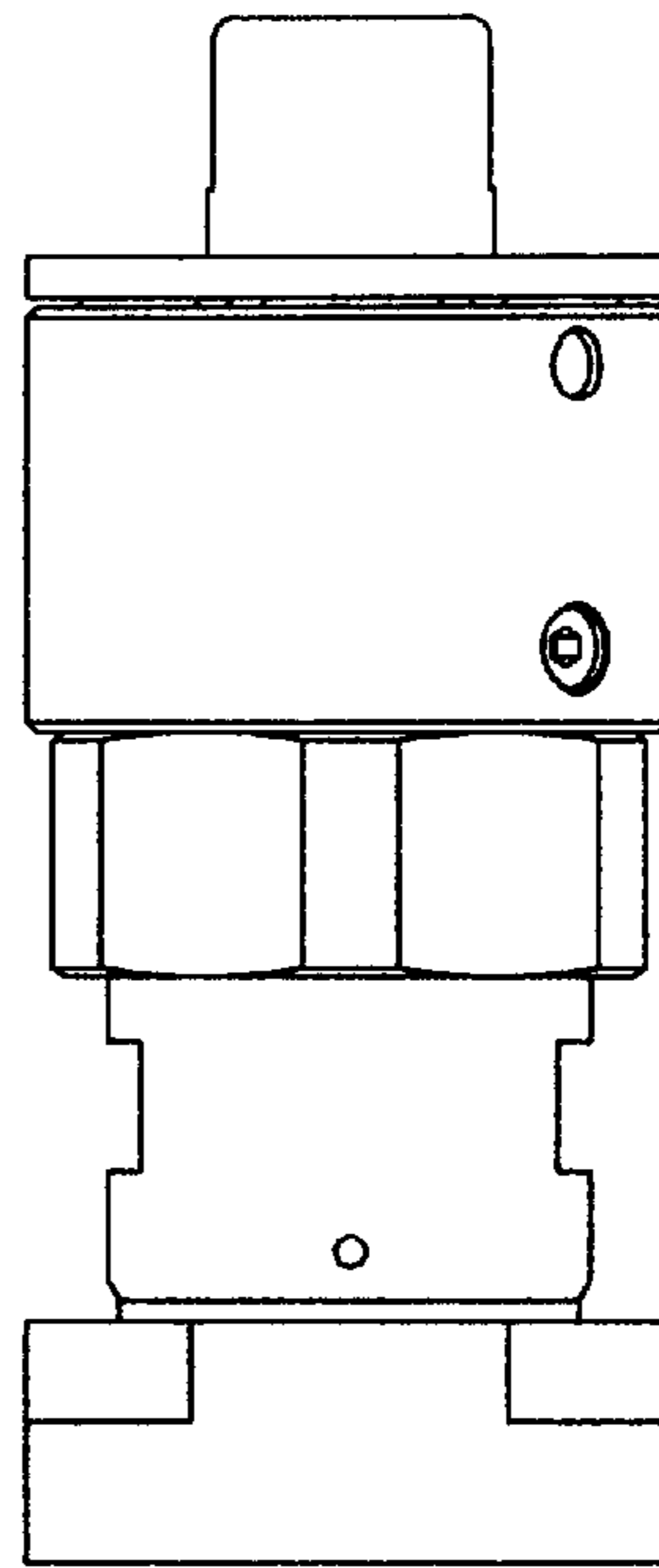


Fig. 7

