



US00D463007S

(12) **United States Design Patent** (10) **Patent No.:** **US D463,007 S**  
**Lord** (45) **Date of Patent:** **\*\* Sep. 17, 2002**

(54) **FAUCET**

(75) Inventor: **Judd A. Lord**, Carmel, IN (US)

(73) Assignee: **Masco Corporation of Indiana**, Indianapolis, IN (US)

(\*\*) Term: **14 Years**

(21) Appl. No.: **29/136,756**

(22) Filed: **Feb. 7, 2001**

(51) **LOC (7) Cl.** ..... **23-01**

(52) **U.S. Cl.** ..... **D23/241; D23/238; D23/242**

(58) **Field of Search** ..... **D23/238-257; 4/675-678; 137/801**

(56) **References Cited**

**U.S. PATENT DOCUMENTS**

D287,395 S	*	12/1986	Piesco	.....	D23/255
D318,099 S	*	7/1991	Reid et al.	.....	D23/255
D375,345 S	*	11/1996	Warshawsky	.....	D23/241
D377,516 S	*	1/1997	Doughty et al.	.....	D23/241
D407,466 S	*	3/1999	Hundley et al.	.....	D23/252
D433,106 S		10/2000	Spangler		
D433,735 S		11/2000	Lord		
D434,118 S		11/2000	Lord		
D436,397 S		1/2001	Lord		
D438,292 S	*	2/2001	Lord	.....	D23/249
D439,954 S		4/2001	Spangler		
D439,955 S		4/2001	Spangler		
D448,456 S	*	9/2001	Lord	.....	D23/249

**OTHER PUBLICATIONS**

U.S. patent application Ser. No. 29/136,750 filed Feb. 7, 2001.

U.S. patent application Ser. No. 29/136,845 filed Feb. 7, 2001.

U.S. patent application Ser. No. 29/136,836 filed Feb. 7, 2001.

U.S. patent application Ser. No. 29/136,760 filed Feb. 7, 2001.

U.S. patent application Ser. No. 29/136,804 filed Feb. 7, 2001.

U.S. patent application Ser. No. 29/136,839 filed Feb. 7, 2001.

U.S. patent application Ser. No. 29/136,833 filed Feb. 7, 2001.

U.S. patent application Ser. No. 29/136,752 filed Feb. 7, 2001.

U.S. patent application Ser. No. 29/136,765 filed Feb. 7, 2001.

U.S. patent application Ser. No. 29/136,769 filed Feb. 7, 2001.

U.S. patent application Ser. No. 29/136,805 filed Feb. 7, 2001.

U.S. patent application Ser. No. 29/136,782 filed Feb. 7, 2001.

U.S. patent application Ser. No. 29/136,761 filed Feb. 7, 2001.

U.S. patent application Ser. No. 29/136,766 filed Feb. 7, 2001.

(List continued on next page.)

*Primary Examiner*—Louis S. Zarfes

*Assistant Examiner*—Gregory Andoll

(74) *Attorney, Agent, or Firm*—Myron B. Kapustij; Lloyd D. Doigan

(57) **CLAIM**

The ornamental design for a faucet, as shown and described.

**DESCRIPTION**

FIG. 1 is a front perspective view of the faucet showing my new design;

FIG. 2 is a rear perspective view thereof;

FIG. 3 is a front elevational view thereof;

FIG. 4 is a left side elevational view thereof, the right side being a mirror image;

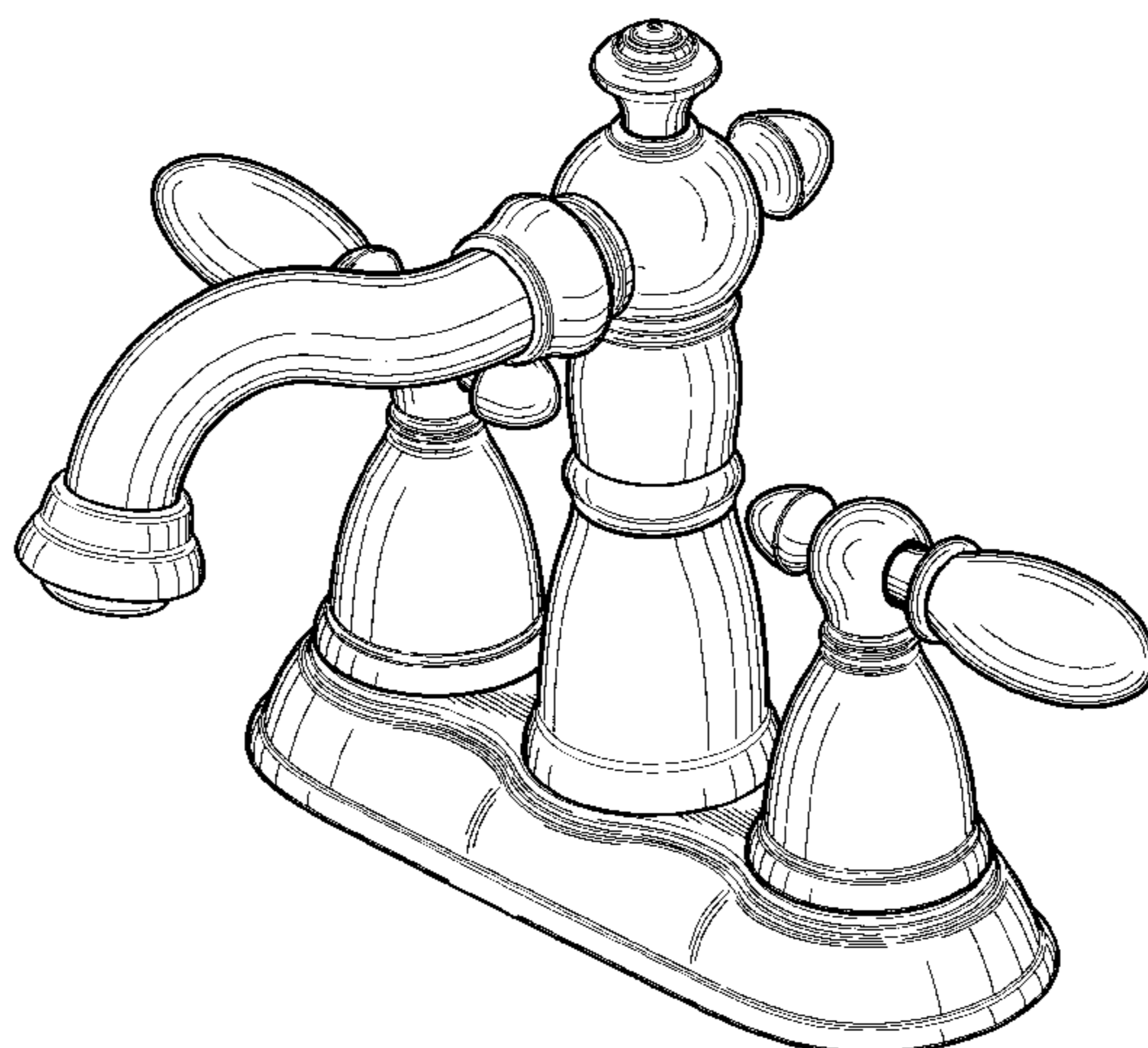
FIG. 5 is a rear elevational view thereof;

FIG. 6 is a top plan view thereof; and,

FIG. 7 is a bottom plan view thereof.

The broken line showing of the apertures in FIG. 7 are for purposes of illustration only and form no part of the claimed design.

**1 Claim, 7 Drawing Sheets**



# US D463,007 S

Page 2

---

## OTHER PUBLICATIONS

U.S. patent application Ser. No. 29/136,763 filed Feb. 7, 2001.

U.S. patent application Ser. No. 29/136,773 filed Feb. 7, 2001.

\* cited by examiner

Figure - 1

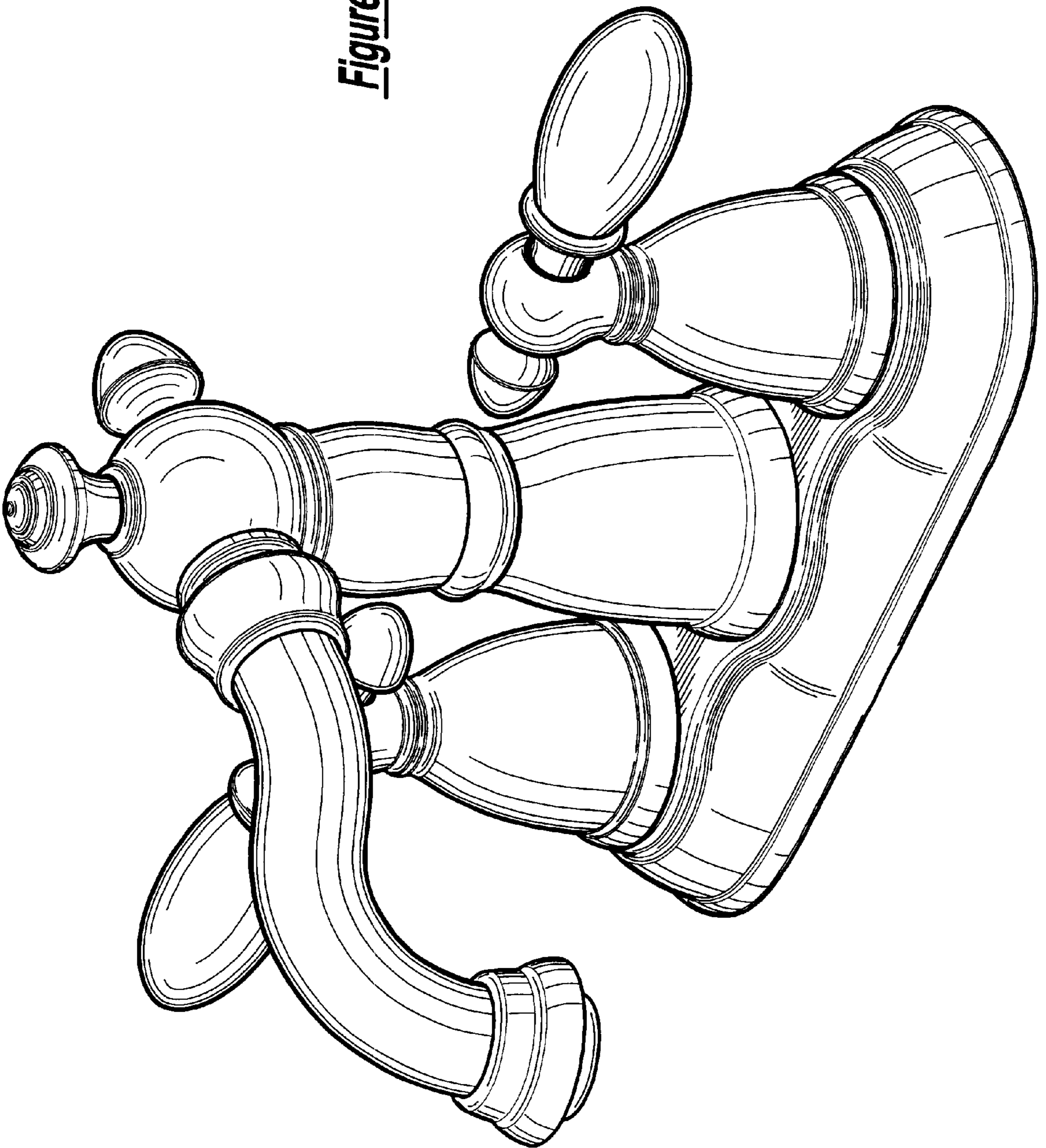


Figure - 2

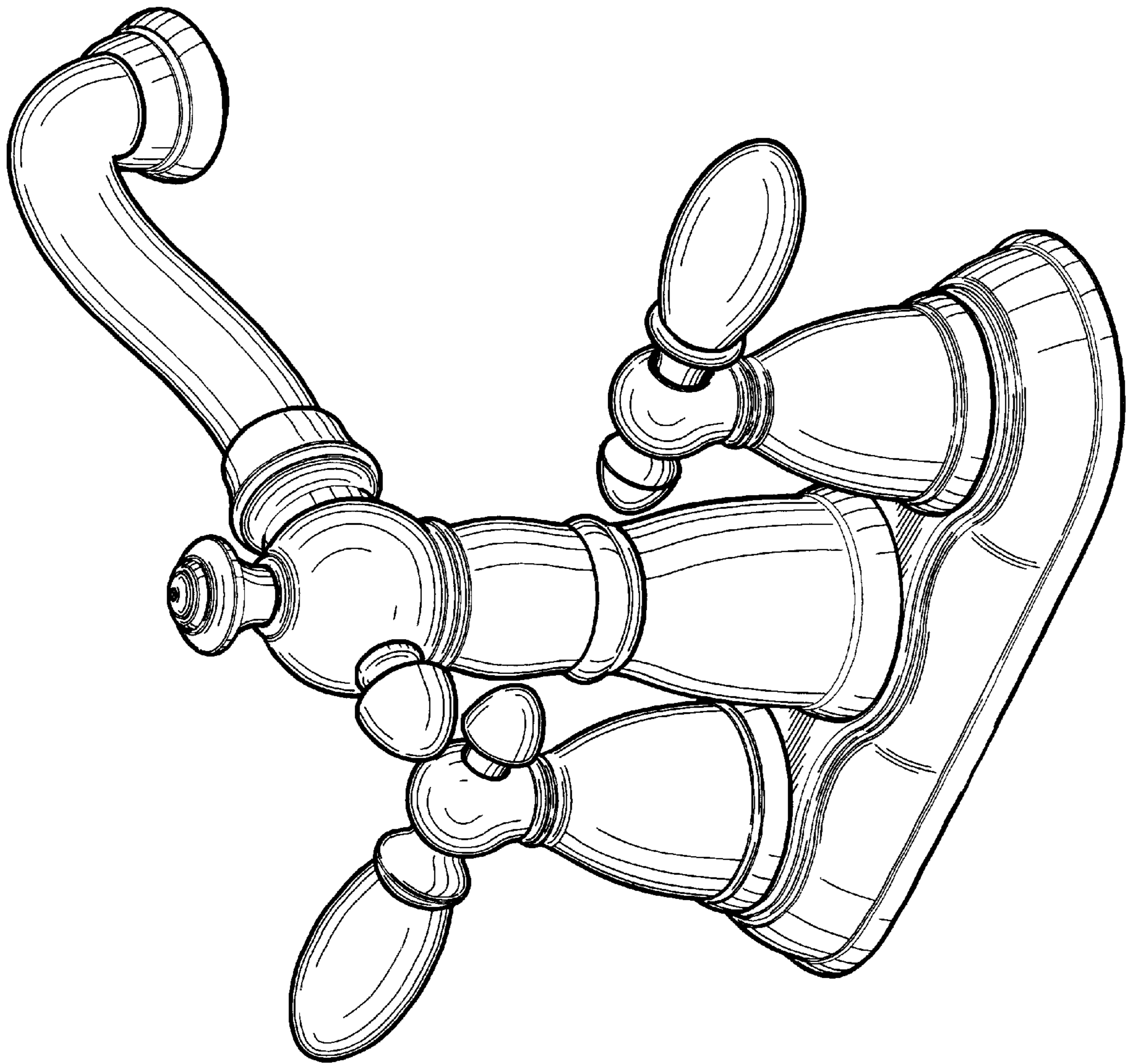
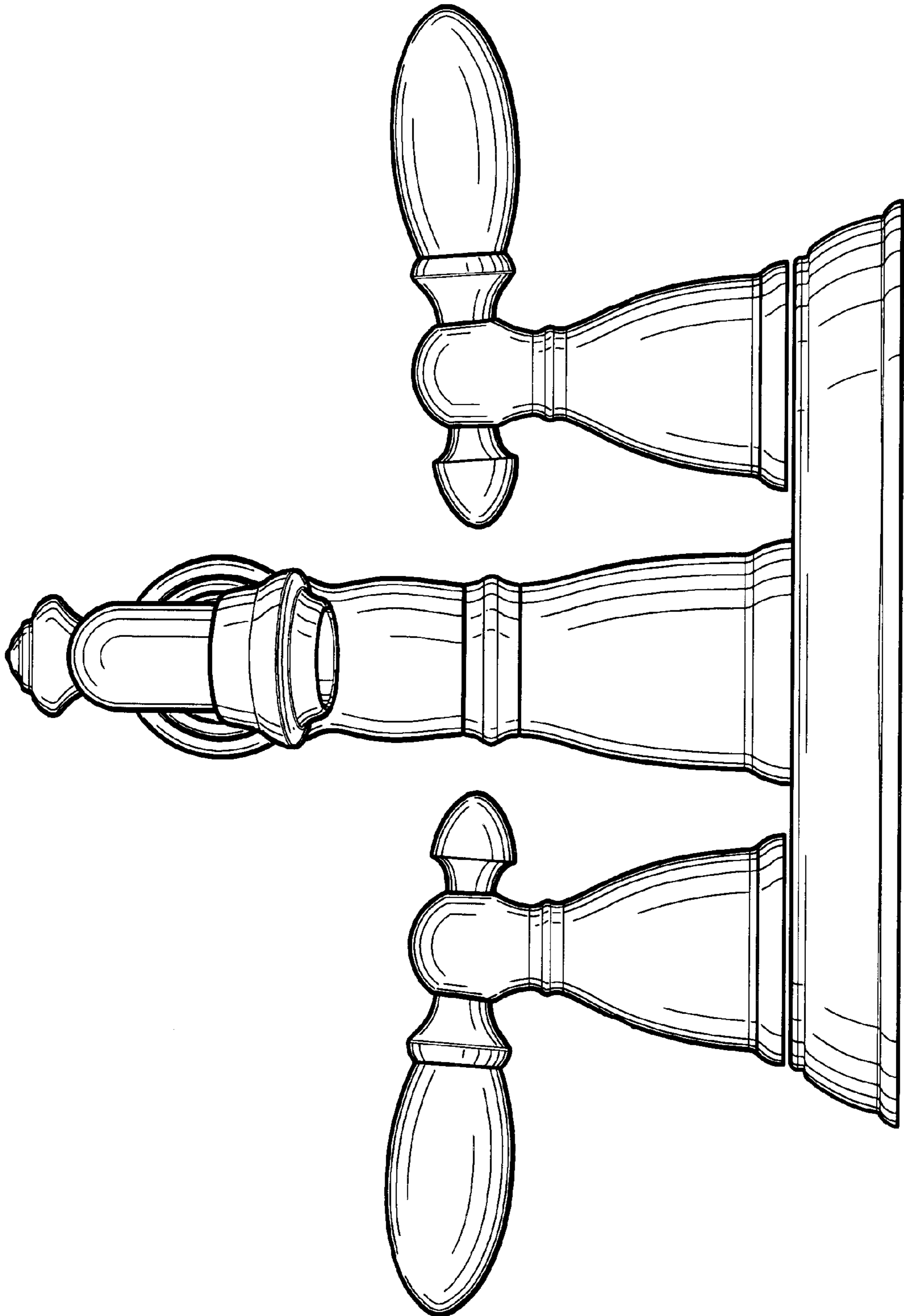


Figure - 3



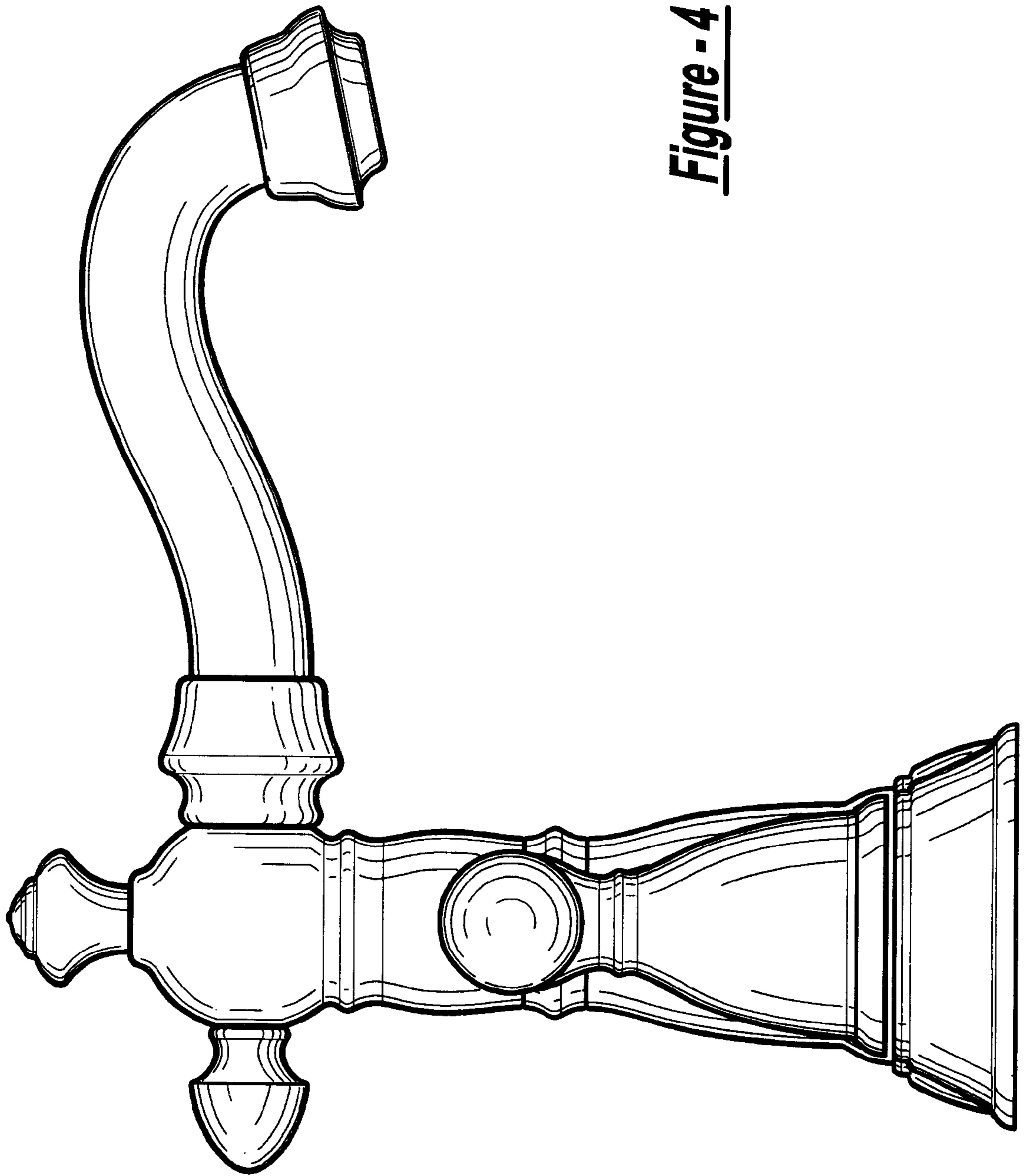
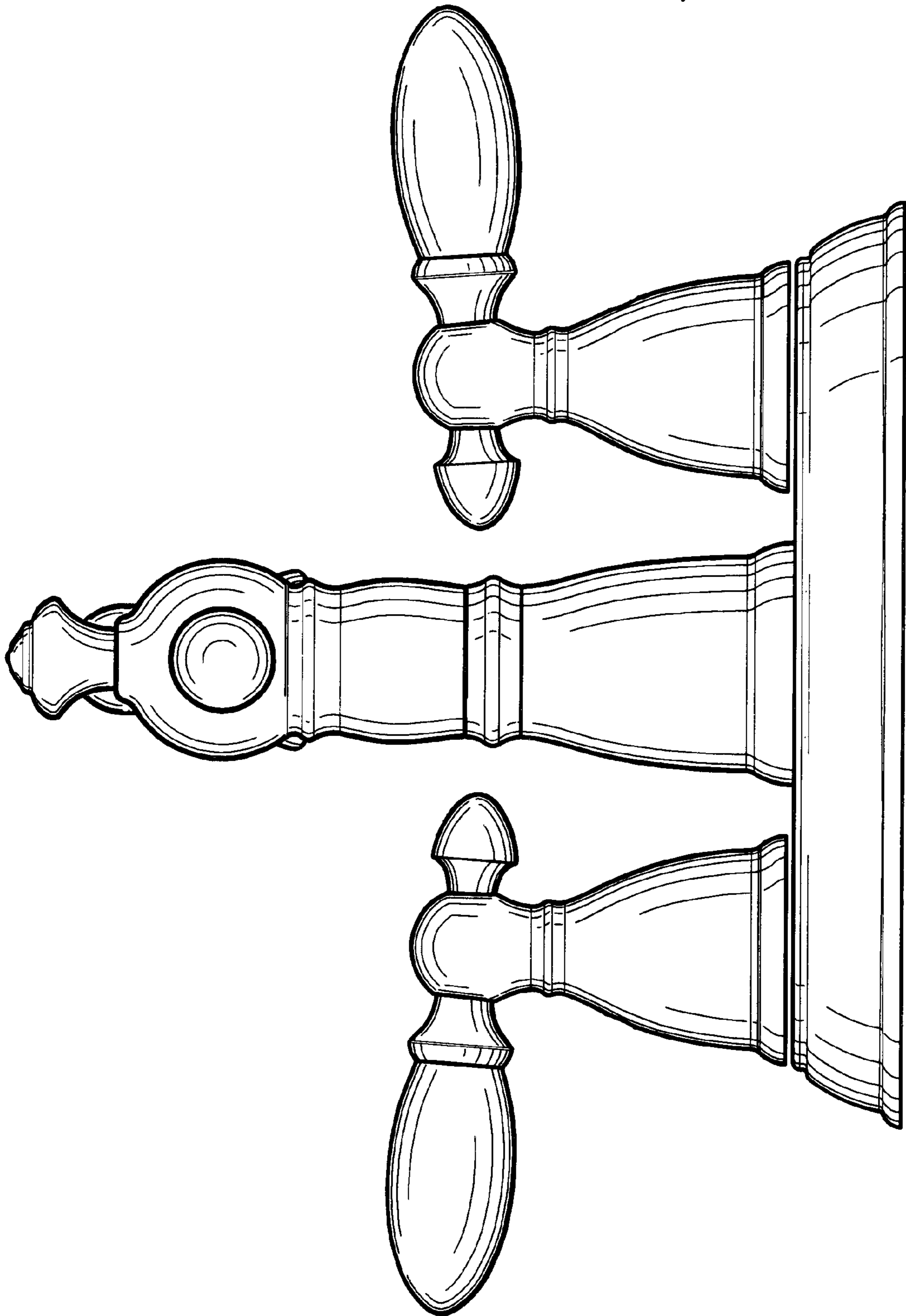


Figure - 4

Figure - 5



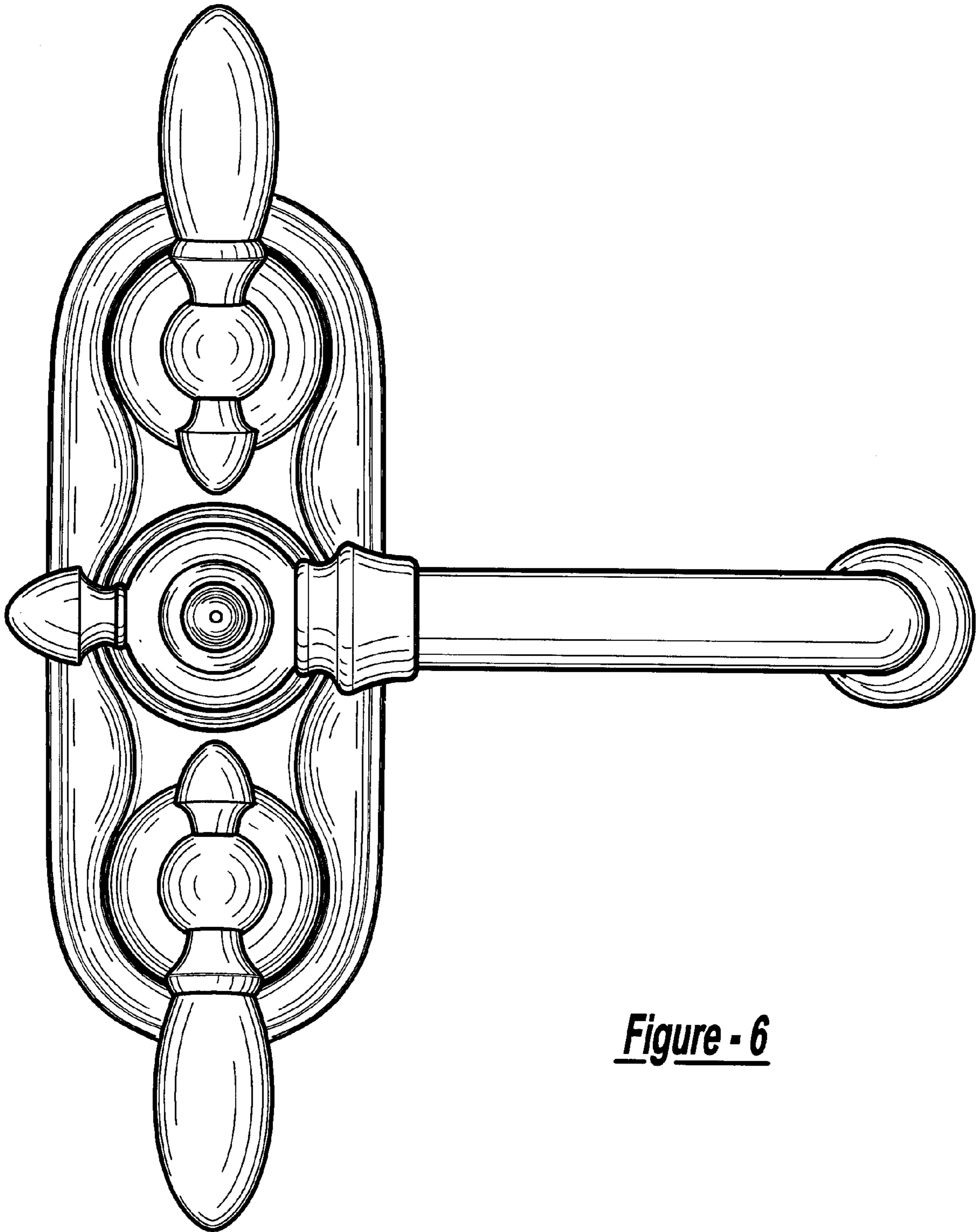


Figure - 6



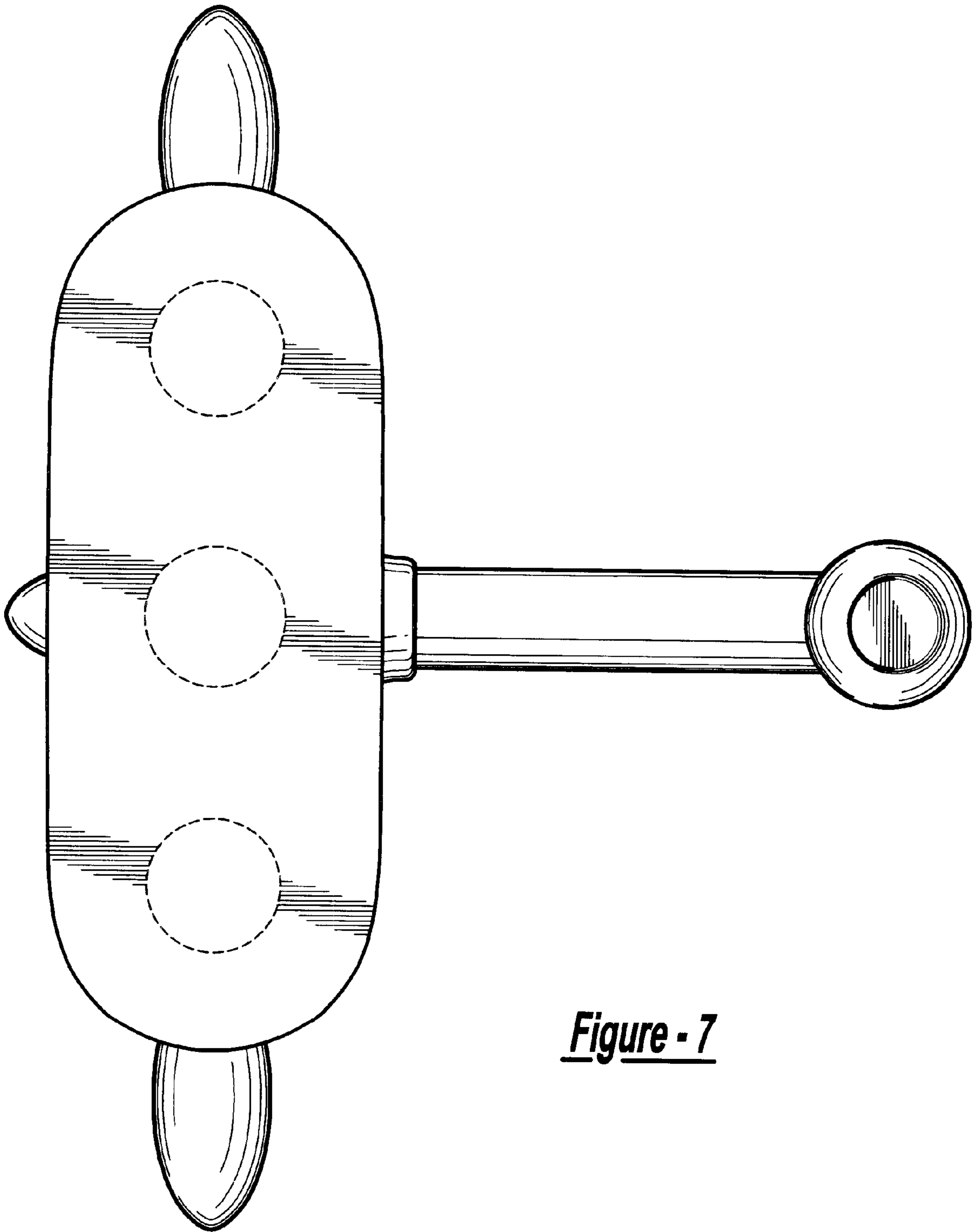


Figure - 7