



US00D463006S

(12) **United States Design Patent**
Lord

(10) **Patent No.:** **US D463,006 S**

(45) **Date of Patent:** **** Sep. 17, 2002**

(54) **VEGETABLE SPRAY**

(75) Inventor: **Judd A. Lord**, Carmel, IN (US)

(73) Assignee: **Masco Corporation of Indiana**, Indianapolis, IN (US)

(**) Term: **14 Years**

(21) Appl. No.: **29/148,303**

(22) Filed: **Sep. 18, 2001**

(51) **LOC (7) Cl.** **23-01**

(52) **U.S. Cl.** **D23/226**

(58) **Field of Search** D23/213, 223,
D23/226, 239, 249, 250; 239/526; 4/615

(56) **References Cited**

U.S. PATENT DOCUMENTS

D308,093 S	5/1990	Hill et al.	
D406,317 S	3/1999	Hill et al.	
D415,822 S	* 10/1999	Ouyoung D23/226
D420,427 S	* 2/2000	Yung D23/226
D434,830 S	* 12/2000	Liou D23/226
D441,052 S	* 4/2001	Lu D23/226
D445,874 S	* 7/2001	Czerwinski D23/226

OTHER PUBLICATIONS

U.S. patent application Ser. No. 29/148,271 filed Sep. 18, 2001.

U.S. patent application Ser. No. 29/148,261 filed Sep. 18, 2001.

U.S. patent application Ser. No. 29/148,300 filed Sep. 18, 2001.

U.S. patent application Ser. No. 29/148,304 filed Sep. 18, 2001.

U.S. patent application Ser. No. 29/148,305 filed Sep. 18, 2001.

* cited by examiner

Primary Examiner—Robin V. Taylor

(74) *Attorney, Agent, or Firm*—Myron B. Kapustij; Lloyd D. Doigan

(57) **CLAIM**

The ornamental design for a vegetable spray, as shown and described.

DESCRIPTION

FIG. 1 is a front perspective view of the vegetable spray showing my new design;

FIG. 2 is a rear perspective view thereof;

FIG. 3 is a left side elevational view thereof;

FIG. 4 is a rear elevational view thereof;

FIG. 5 is a top plan view thereof;

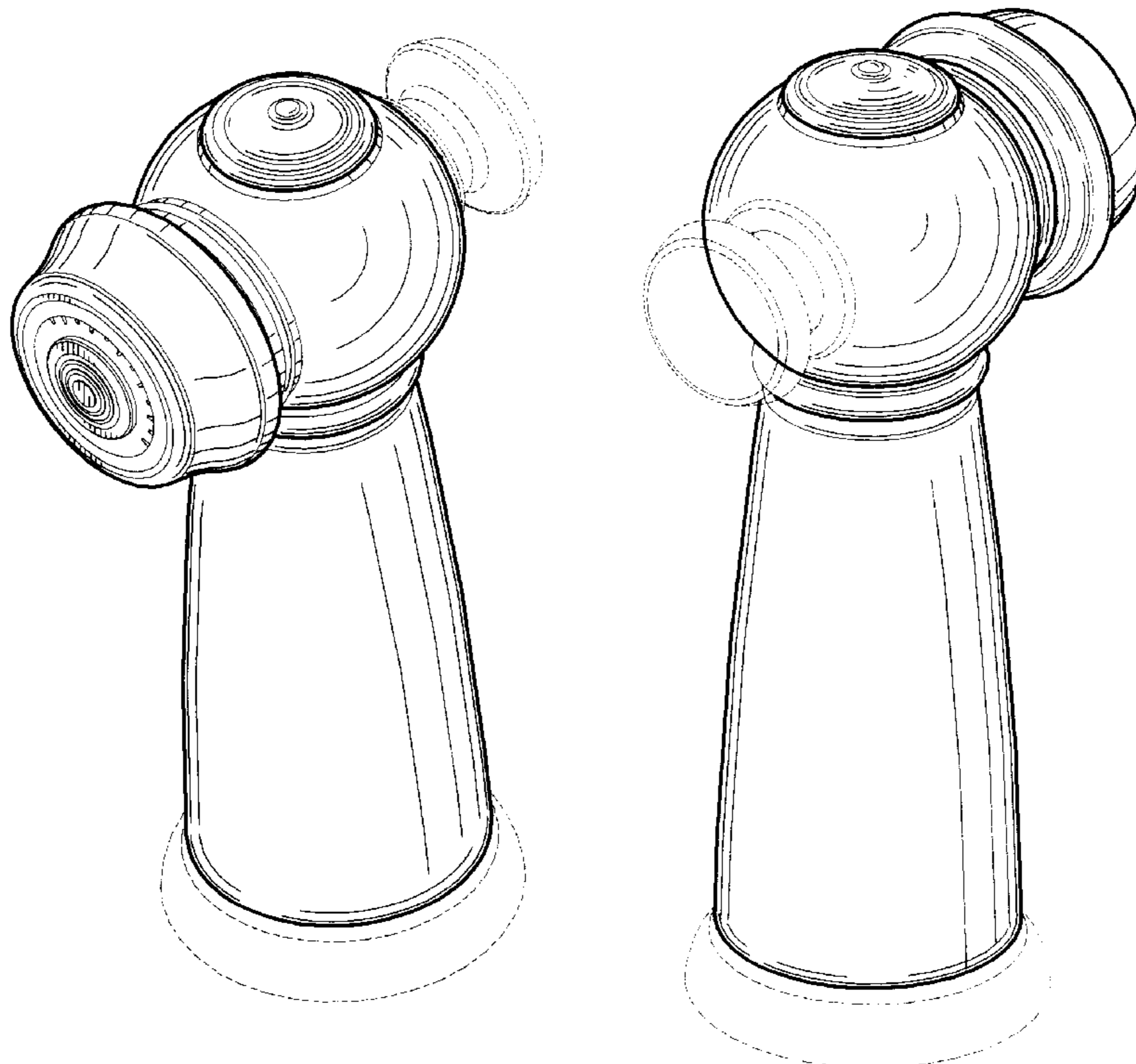
FIG. 6 is a front elevational view thereof;

FIG. 7 is a bottom plan view thereof; and,

FIG. 8 is a right side elevational view thereof.

The broken line showings of the activation button in FIGS. 1–5, 7 and 8, of the base in FIGS. 1–8, and of the internal annular shoulders are for purposes of illustration only and form no part of the claimed design.

1 Claim, 5 Drawing Sheets



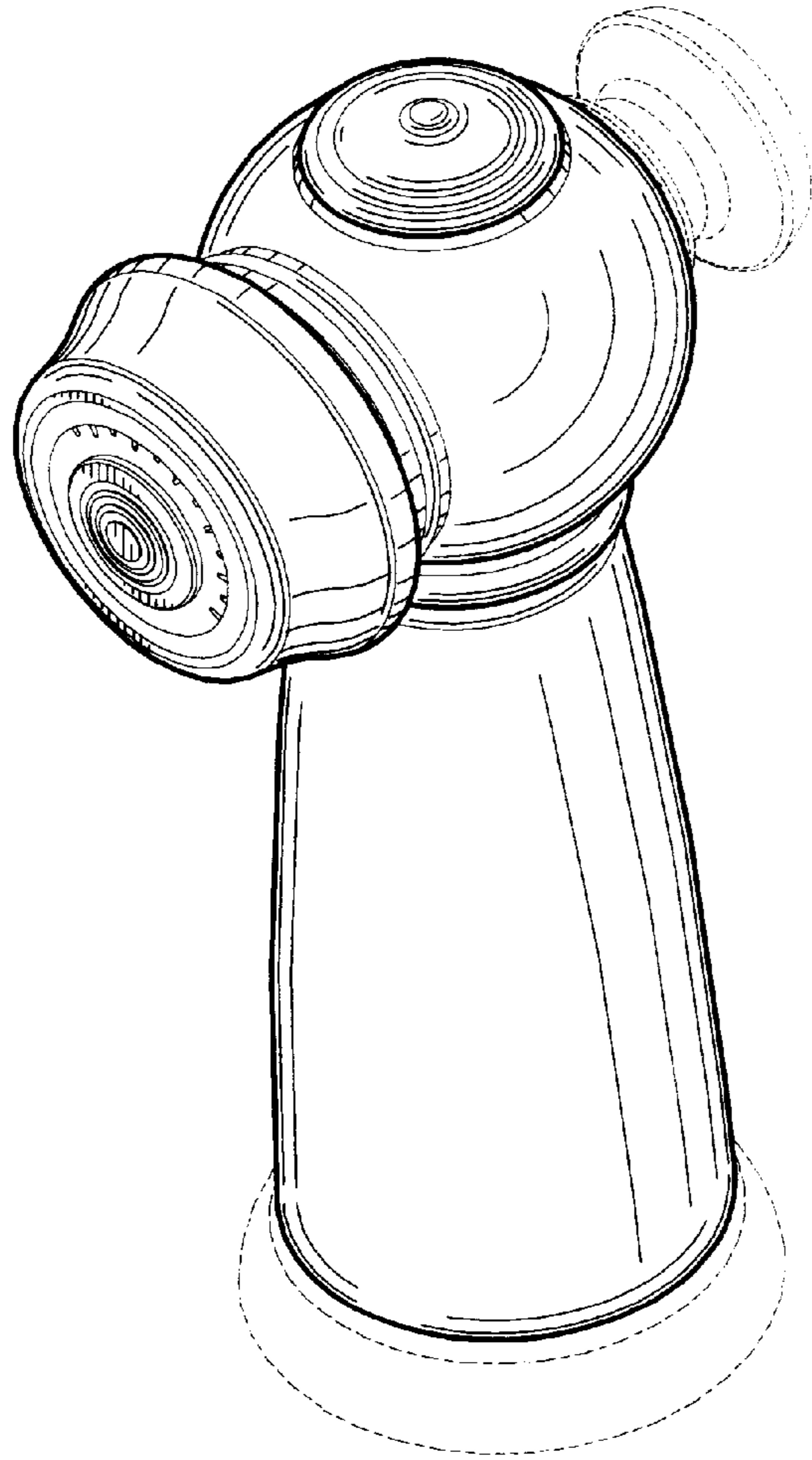


Figure - 1

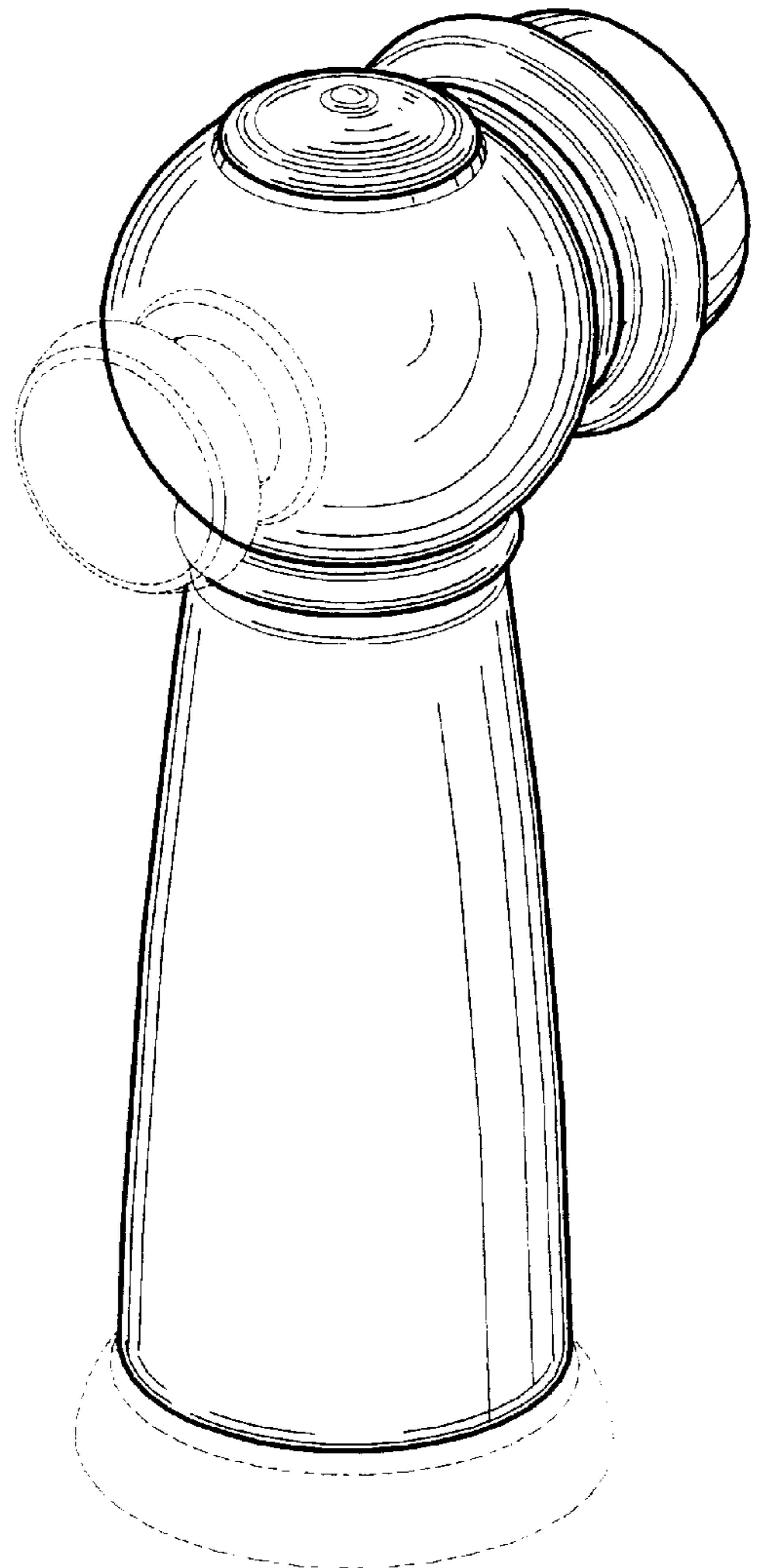


Figure - 2

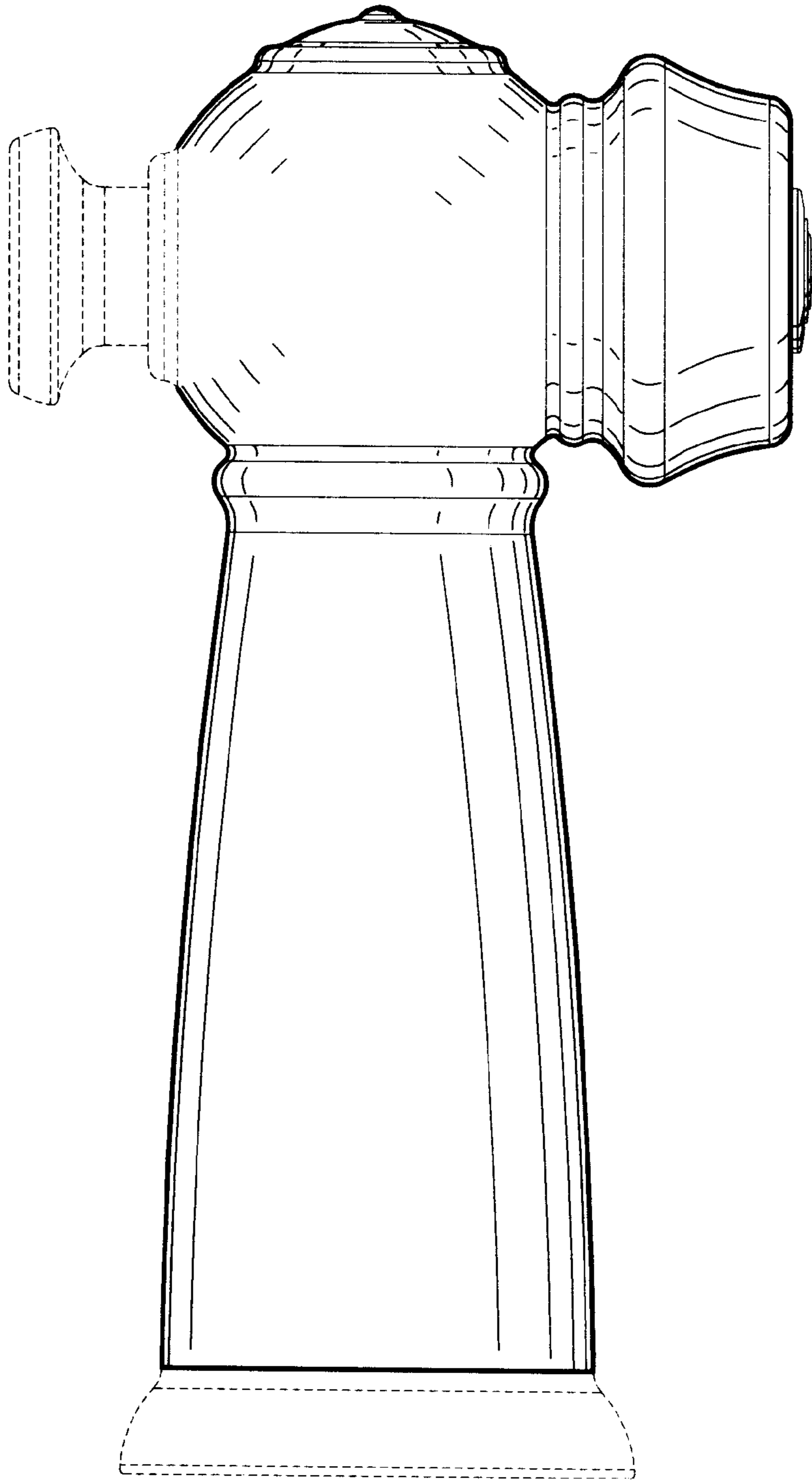


Figure - 3

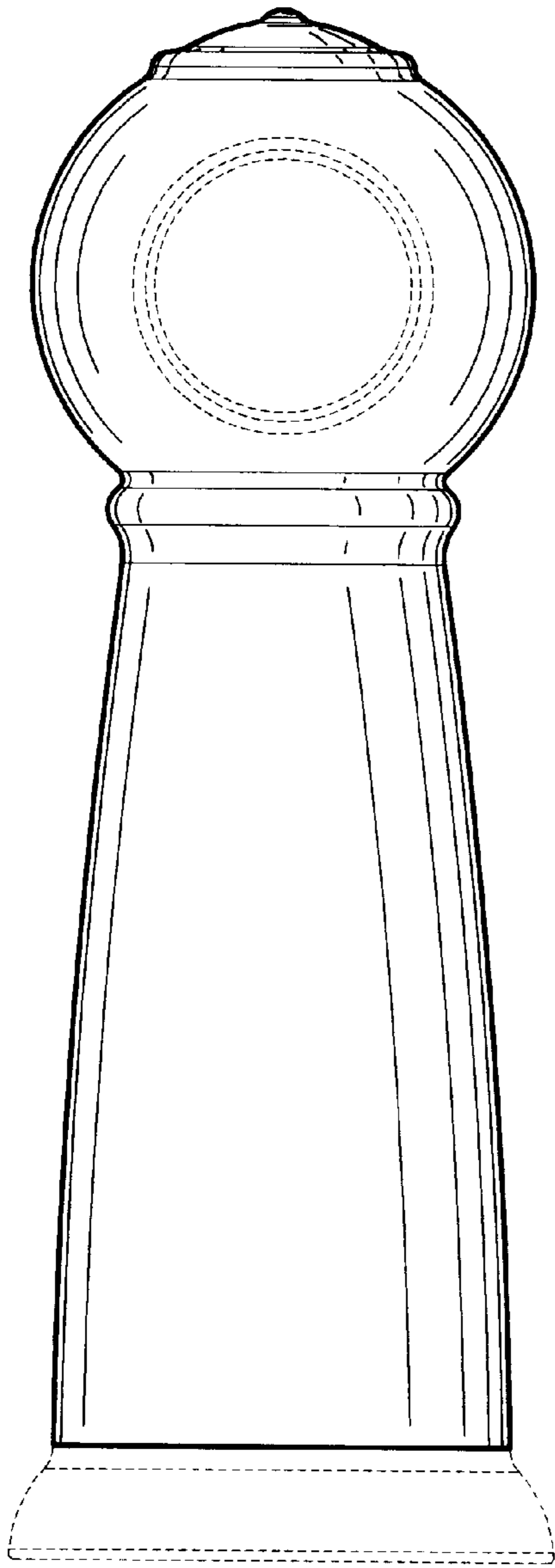


Figure - 4

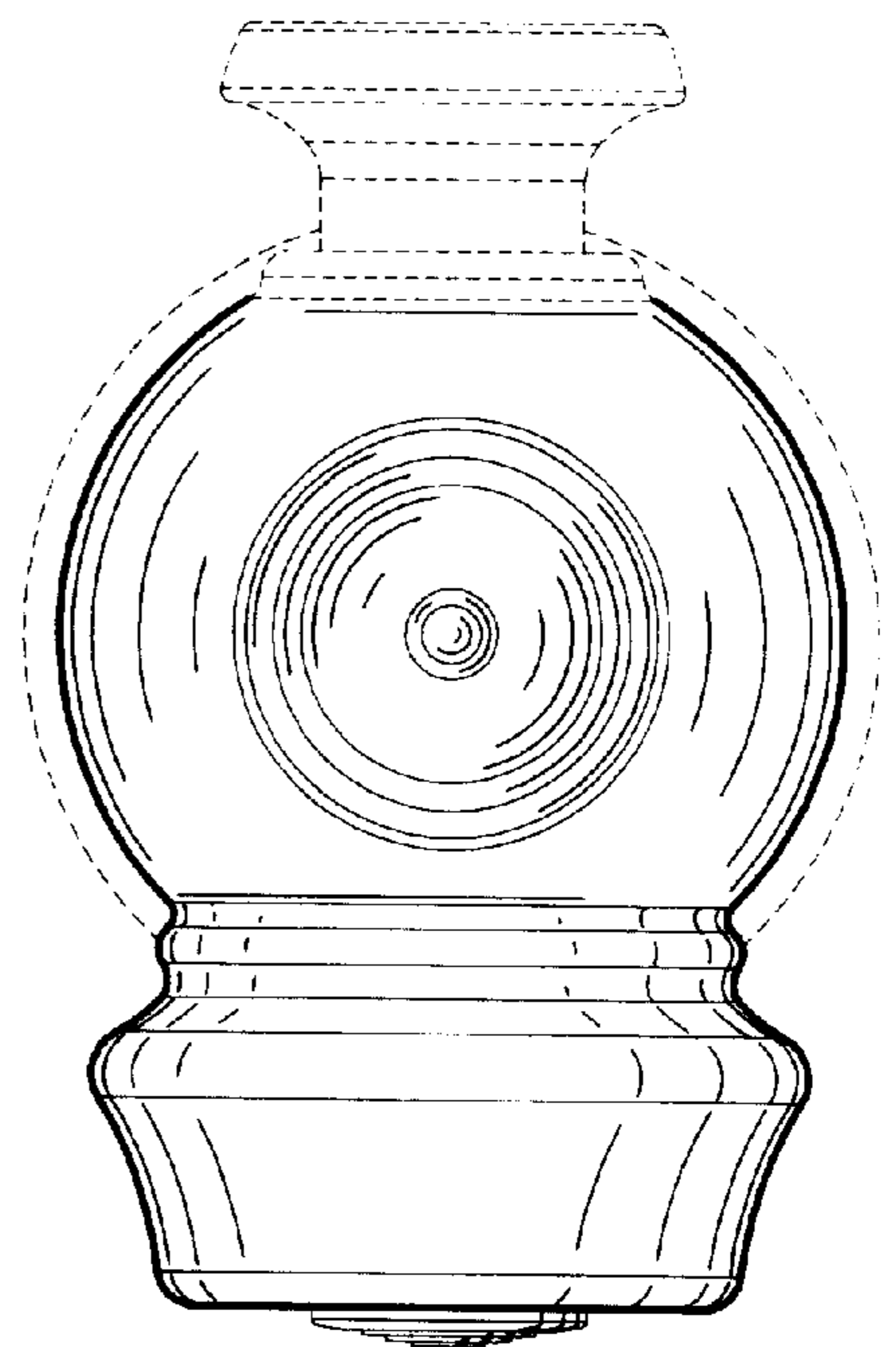


Figure - 5

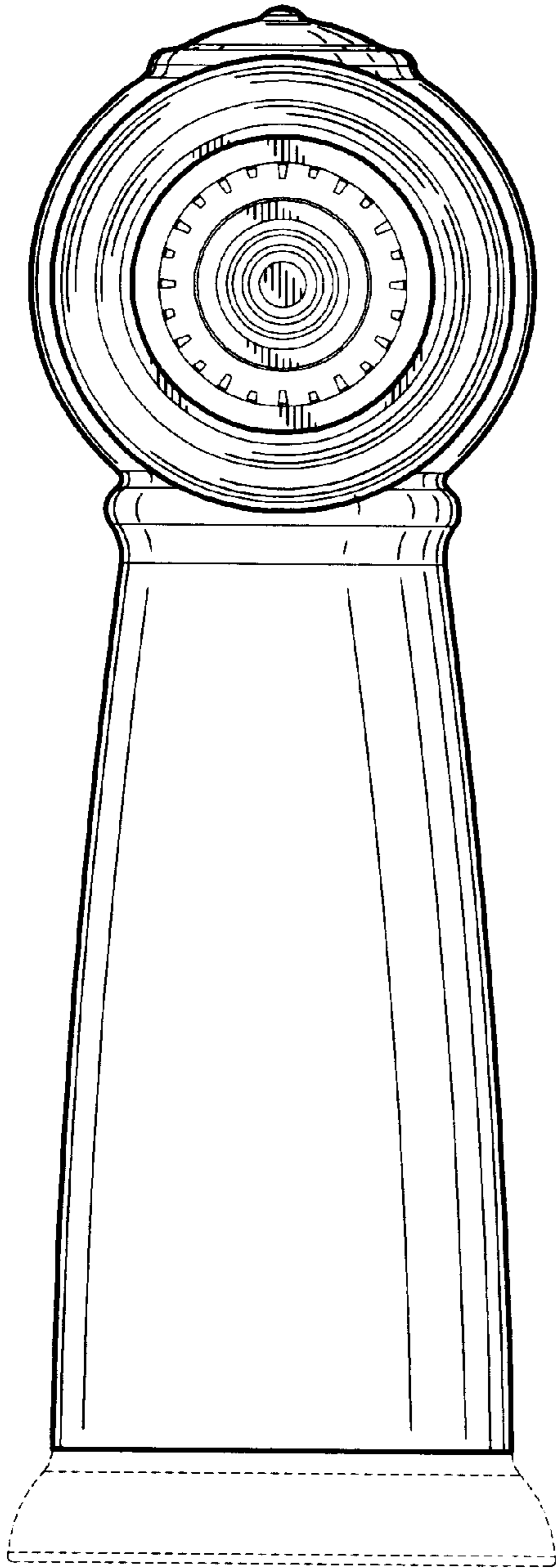


Figure - 6

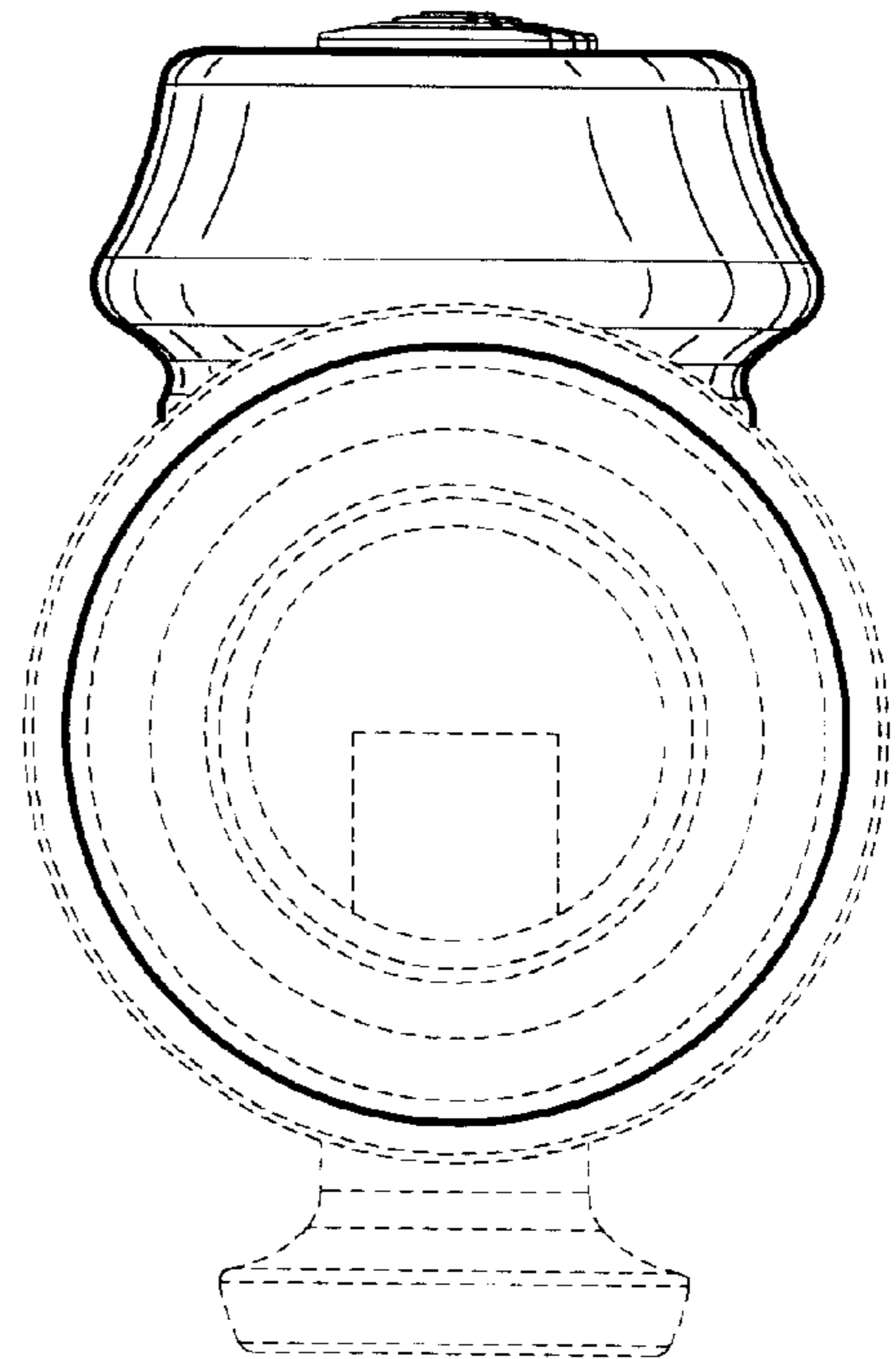


Figure - 7

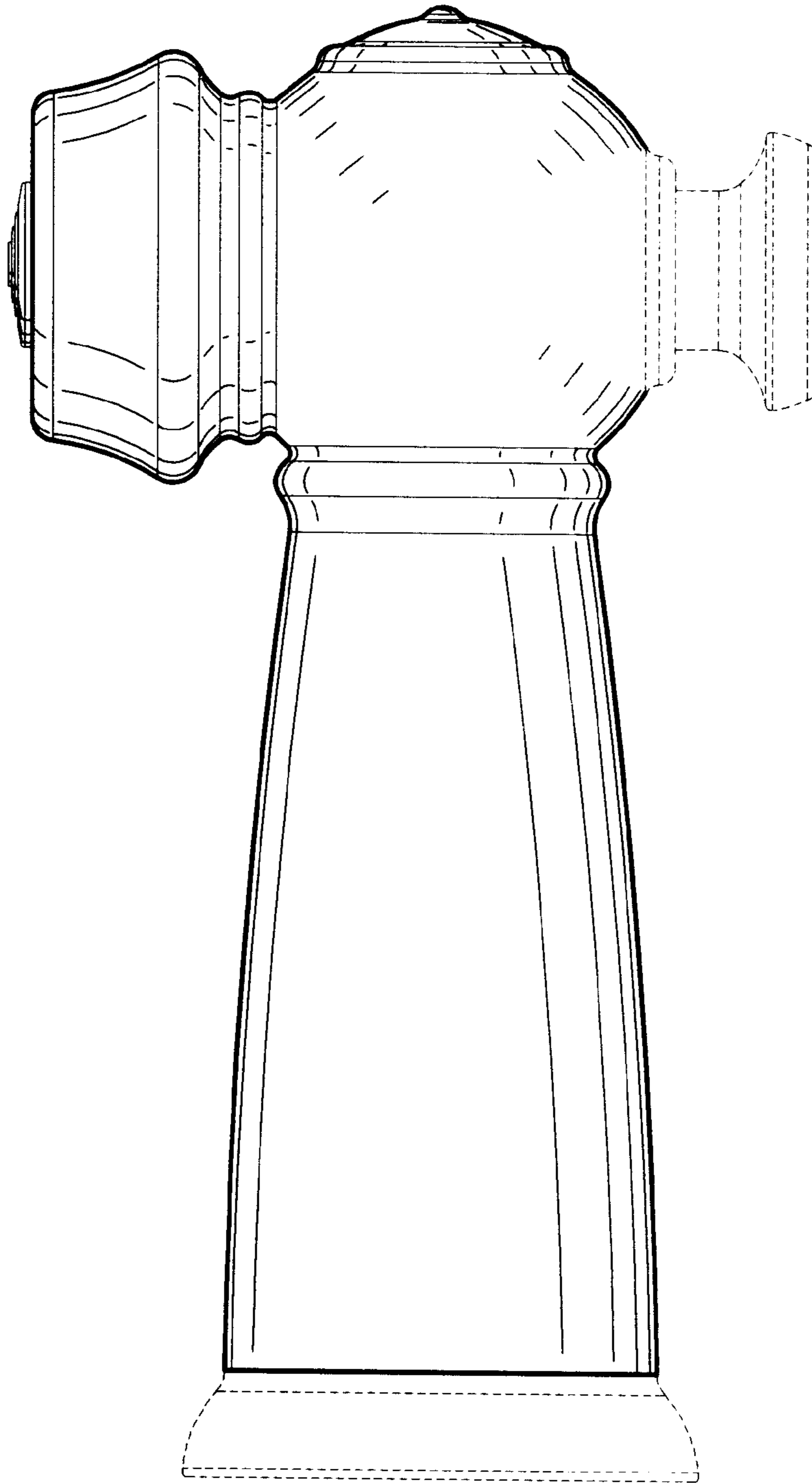


Figure - 8