



US00D463001S

(12) **United States Design Patent**
Buchanan

(10) **Patent No.:** **US D463,001 S**

(45) **Date of Patent:** **** Sep. 17, 2002**

(54) **WEIGHT**

(76) Inventor: **Matthew D. Buchanan**, 415 N. Fair St., Olney, IL (US) 62450

(**) Term: **14 Years**

(21) Appl. No.: **29/140,295**

(22) Filed: **Apr. 16, 2001**

(51) **LOC (7) Cl.** **21-02**

(52) **U.S. Cl.** **D21/680; D21/681**

(58) **Field of Search** D21/662, 680,
D21/681, 682, 683, 684; 482/105, 106,
107, 108, 109

(56) **References Cited**

U.S. PATENT DOCUMENTS

5,137,502 A	*	8/1992	Anastasi	482/105
D354,322 S	*	1/1995	Vodhanel, Jr.	D21/681
D421,076 S	*	2/2000	Lincir	D21/681
D424,140 S	*	5/2000	Lincir	D21/680
D433,720 S	*	11/2000	Rojas et al.	D21/680
D433,721 S	*	11/2000	Rojas et al.	D21/680
D434,090 S	*	11/2000	Wallace et al.	D21/680
D445,154 S	*	7/2001	Lincir	D21/680
D446,265 S	*	8/2001	Lincir	D21/680
D446,559 S	*	8/2001	Lincir	D21/680
D448,055 S	*	9/2001	Lien et al.	D21/680

* cited by examiner

Primary Examiner—Philip S. Hyder

(74) *Attorney, Agent, or Firm*—Woodard, Emhardt, Naughton, Moriarty & McNett

(57) **CLAIM**

The ornamental design for a weight, as shown and described.

DESCRIPTION

FIG. 1 is a perspective view of a weight showing my new design, wherein the broken line showing portions of FIG. 1 are for illustrative purposes only and form no part of the claimed design;

FIG. 2 is a view in front elevation of the weight shown in FIG. 1, the opposite side being a mirror image;

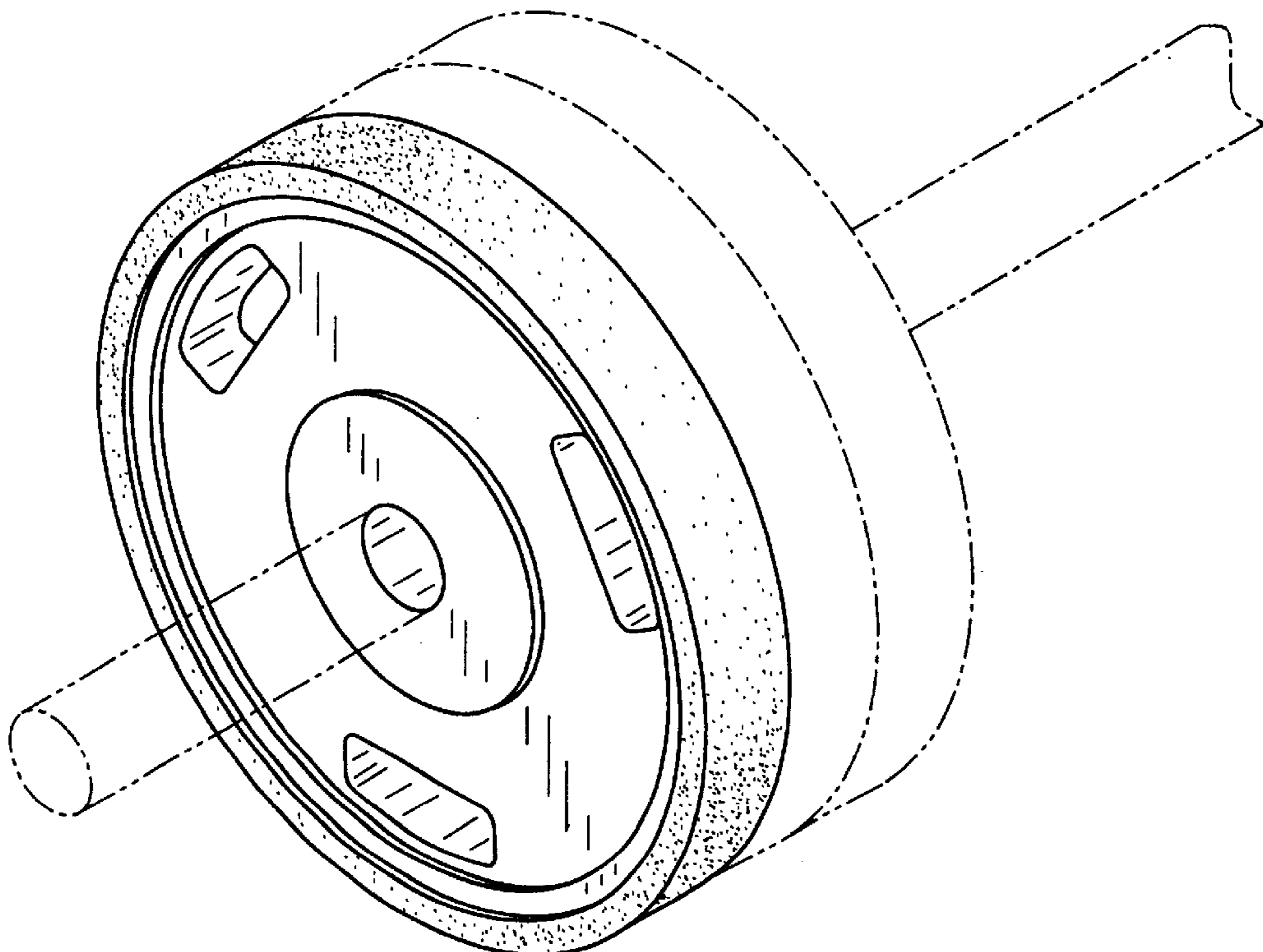
FIG. 3 is a sectional view taken along the line 3—3 of FIG. 2;

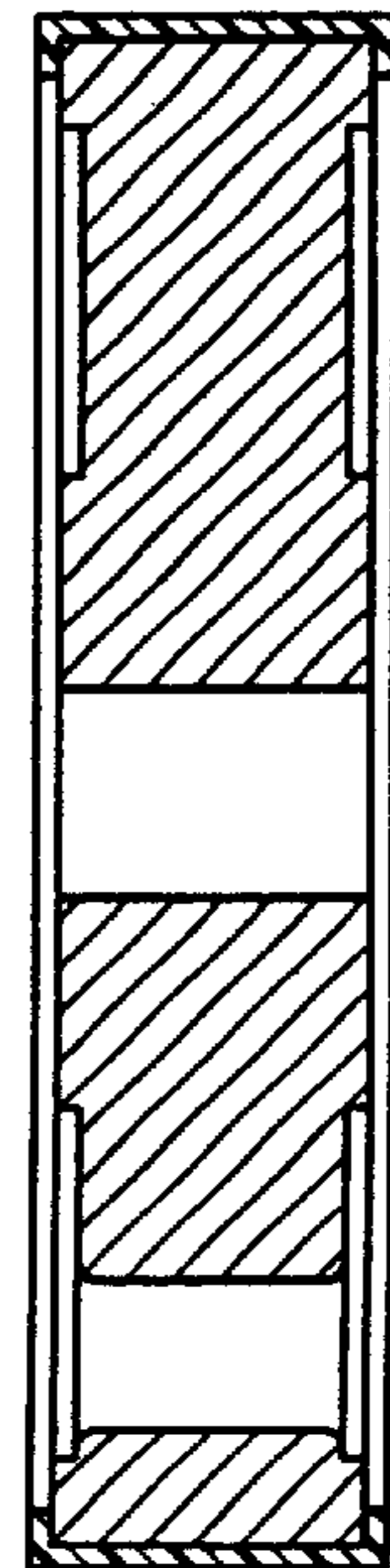
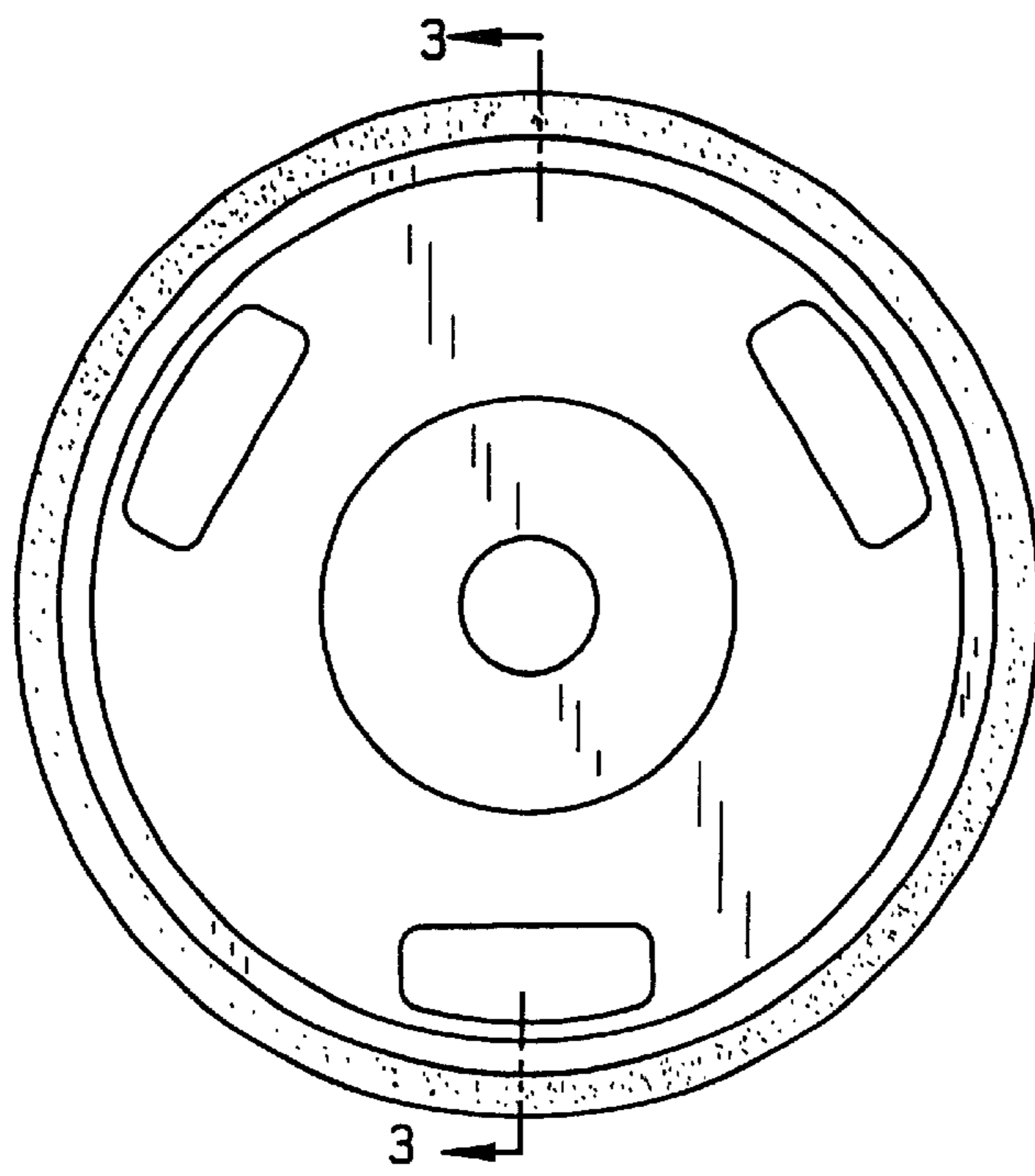
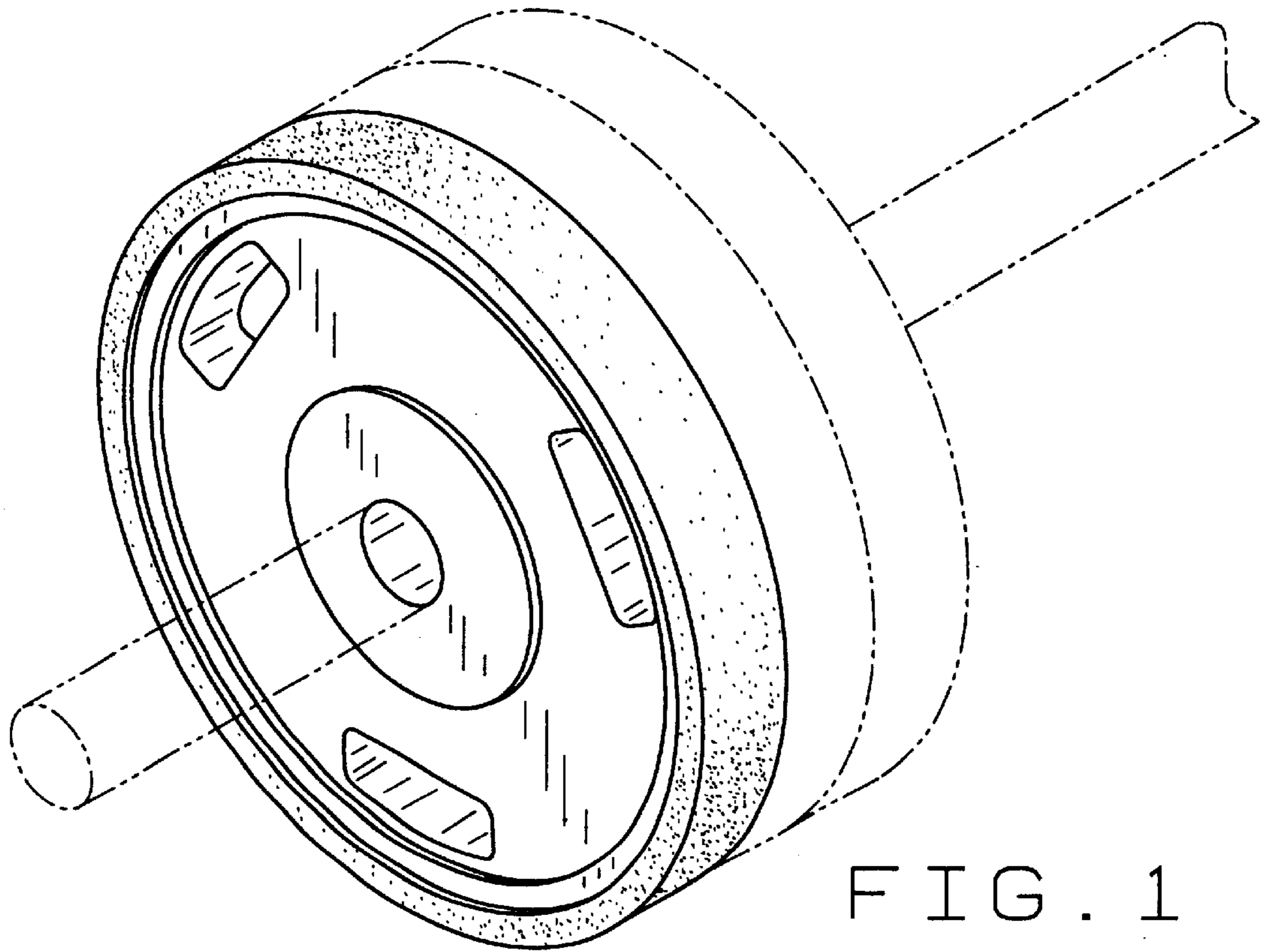
FIG. 4 is an edge view common to both the first and a second embodiment of weight of this invention;

FIG. 5 is a view in front elevation of a second embodiment of weight of this invention, the opposite side being a mirror image; and,

FIG. 6 is a diametric sectional view of the weight of FIG. 5. In both embodiments, the weight is encircled by an annular rim or channel of a resilient material of a color different from the body of the weight. In either embodiment, the body of the weight can be solid, as shown in FIG. 3, or it may be a hollow shell to be filled with particles of heavy material, as shown in FIG. 6. The external appearance of the weight will be the same whether solid or hollow.

1 Claim, 2 Drawing Sheets





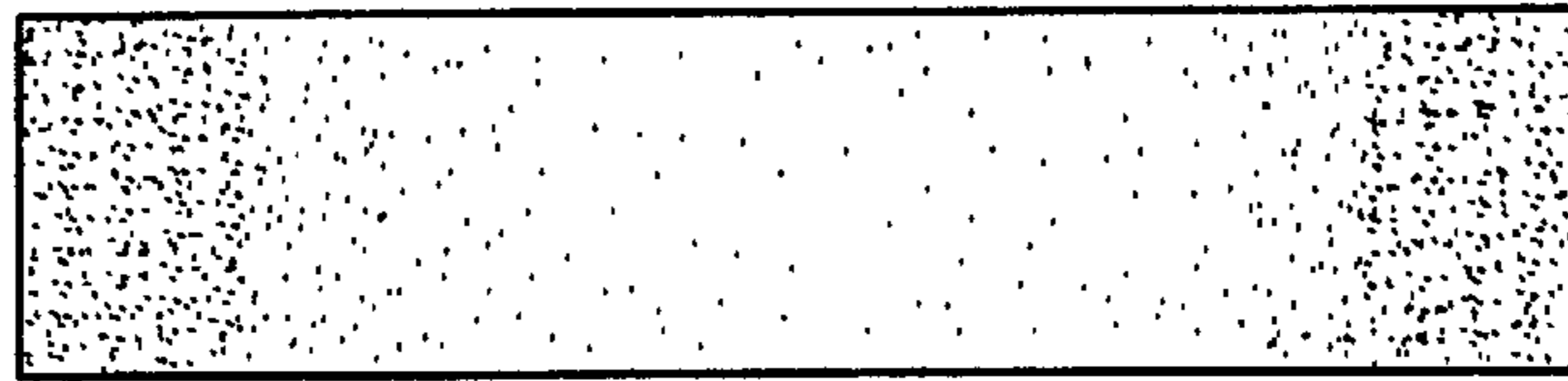


FIG. 4

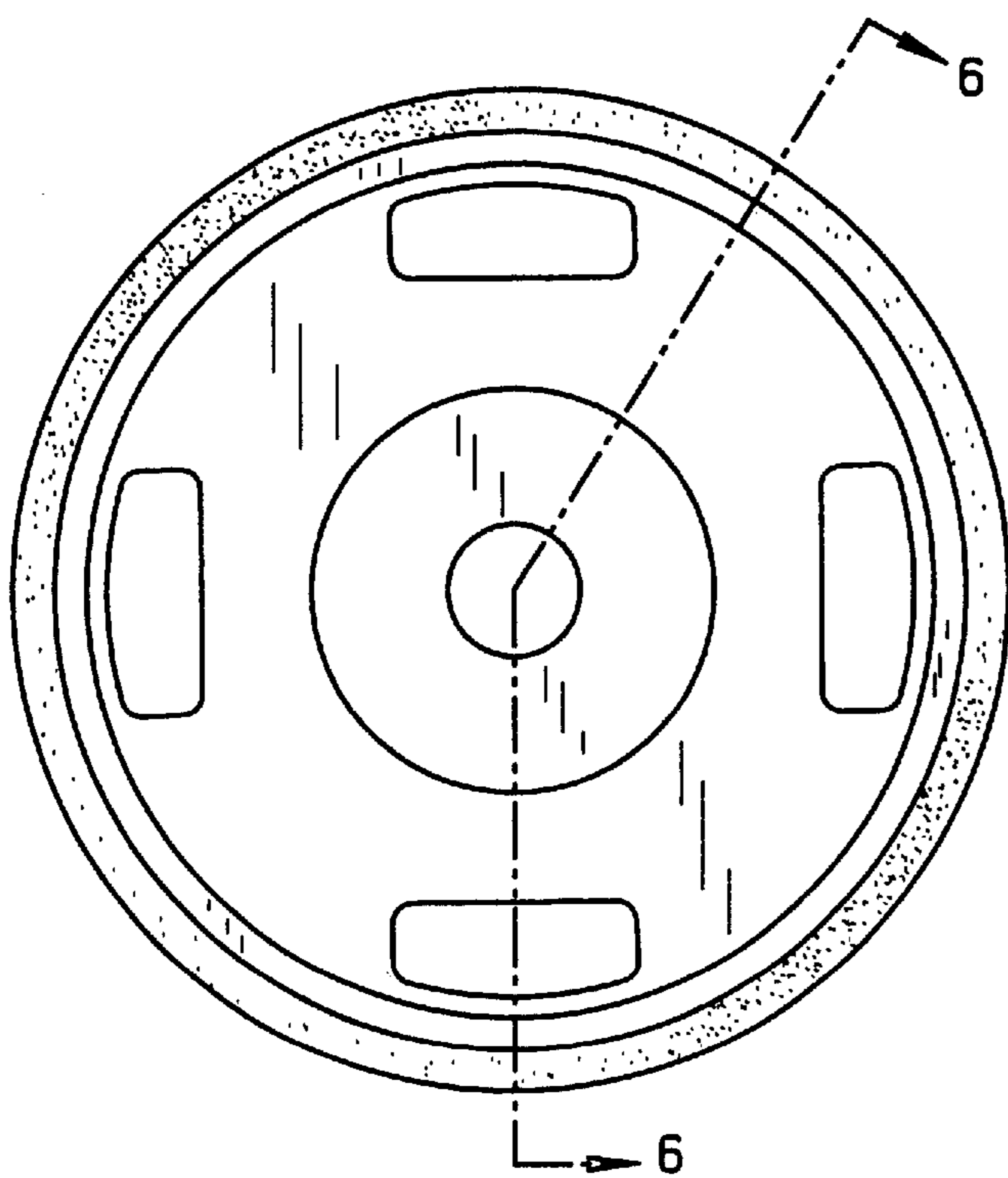


FIG. 5

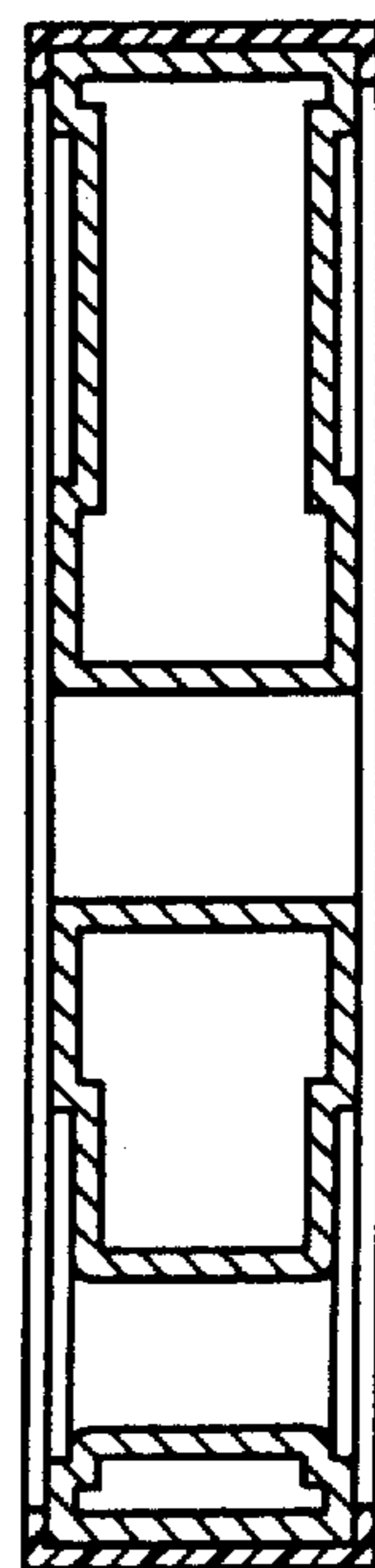


FIG. 6