



US00D462996S

(12) **United States Design Patent**  
**Foster**

(10) **Patent No.:** **US D462,996 S**

(45) **Date of Patent:** **\*\* Sep. 17, 2002**

(54) **PEN HOLDER**

(75) Inventor: **Norman Foster**, London (GB)

(73) Assignee: **Helit Innovative Buroprodukte GmbH**, Kierspe (DE)

(\*\*) Term: **14 Years**

(21) Appl. No.: **29/152,286**

(22) Filed: **Dec. 13, 2001**

**Related U.S. Application Data**

(62) Division of application No. 29/117,694, filed on Jan. 28, 2000.

(30) **Foreign Application Priority Data**

Jul. 31, 1999 (DE) ..... 499 07 112

(51) **LOC (7) Cl.** ..... **19-06**

(52) **U.S. Cl.** ..... **D19/83**

(58) **Field of Search** ..... D3/304, 319; D6/466, D6/469, 472, 510, 512; D19/65, 75, 77, 81, 83, 95, 99, 100, 86, 92; 190/110; 206/214; 217/3 BC, 3 R, 36, 52; 229/120.22, 122.23, 122.24, 122.27, 201

(56) **References Cited**

**U.S. PATENT DOCUMENTS**

D245,170 S \* 7/1977 Evenson ..... D19/92

\* cited by examiner

*Primary Examiner*—Doris V. Coles

*Assistant Examiner*—Elizabeth A. Albert

(74) *Attorney, Agent, or Firm*—Herbert Dubno

(57) **CLAIM**

The ornamental design for a pen holder, as shown and described.

**DESCRIPTION**

FIG. 1 is a top, front, left side perspective view of a pen holder showing my new design;

FIG. 2 is a top plan view thereof;

FIG. 3 is a bottom, right side, rear perspective view thereof;

FIG. 4 is a left side elevational view thereof, the right side elevational view being identical thereto; and,

FIG. 5 is a front view thereof, the rear view being identical thereto.

**1 Claim, 2 Drawing Sheets**

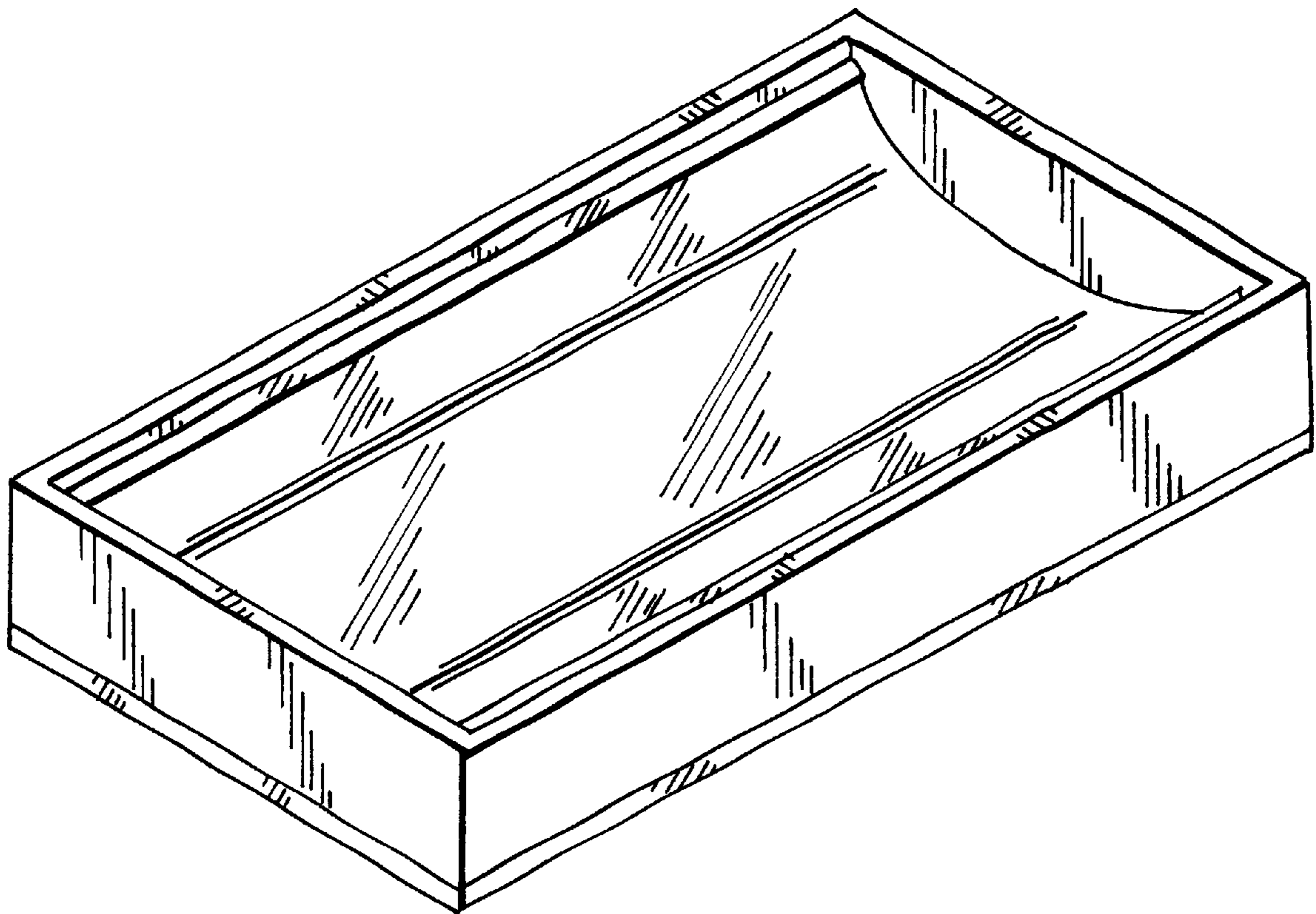


FIG. 1

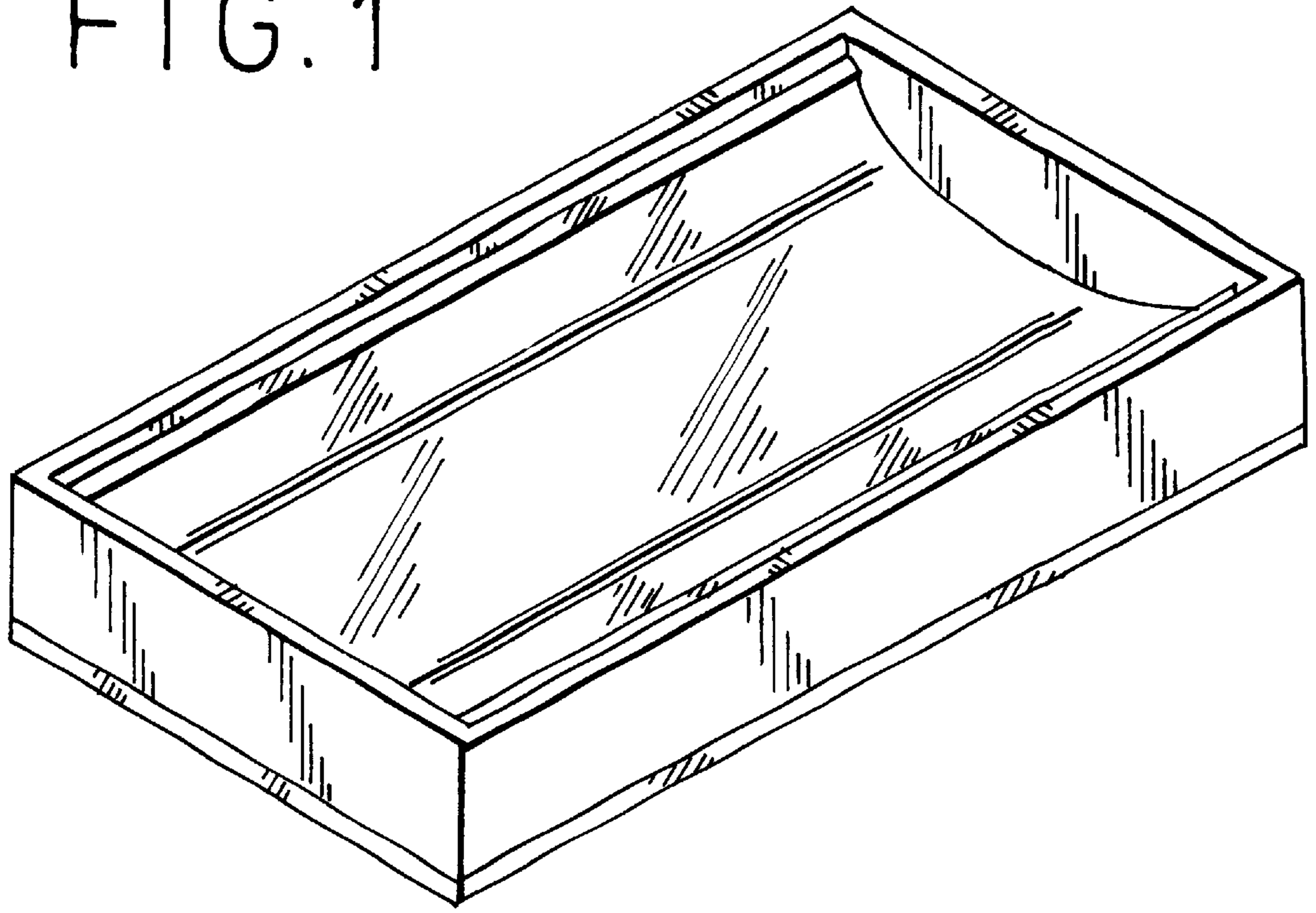


FIG. 2

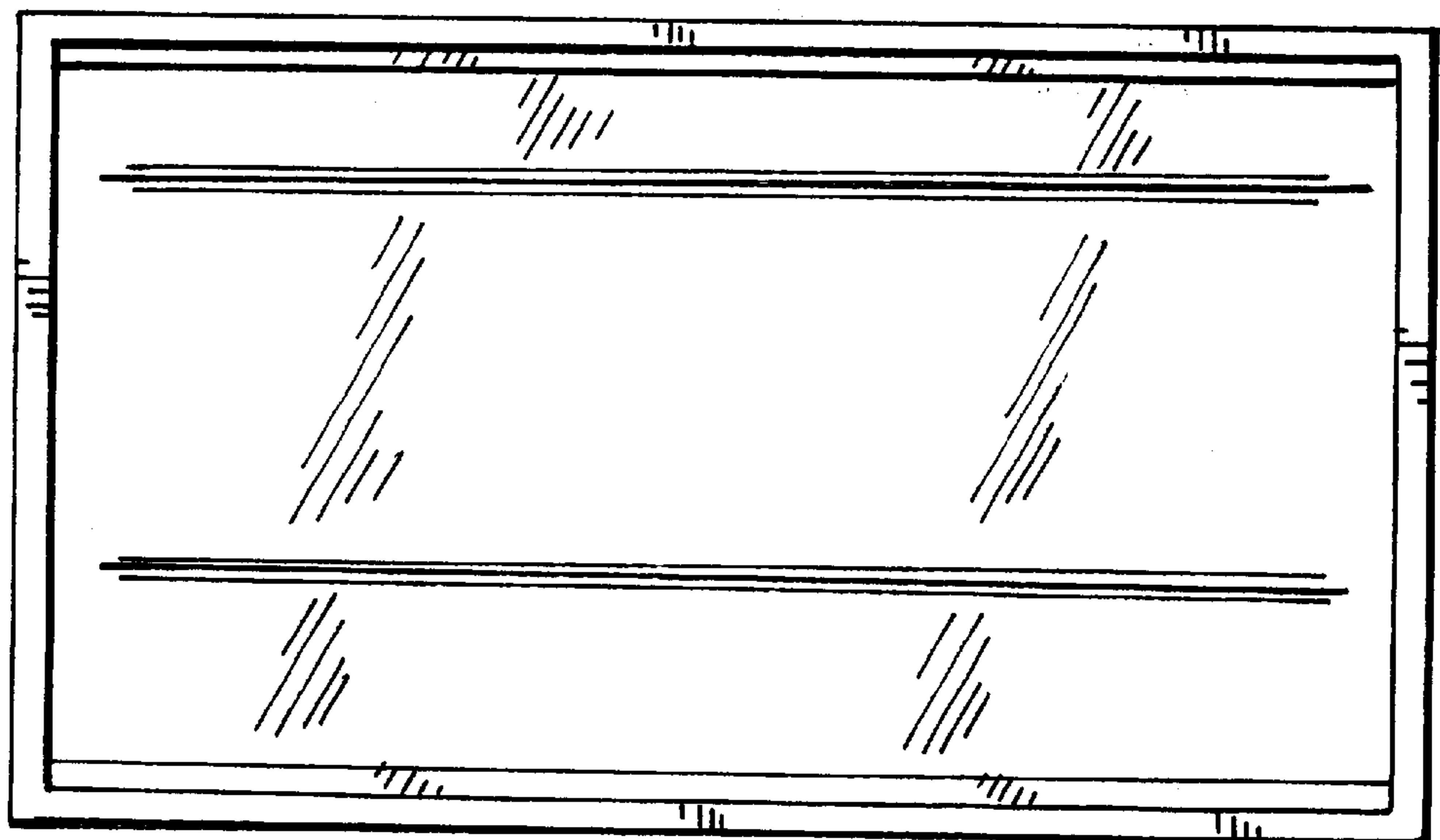


FIG. 3

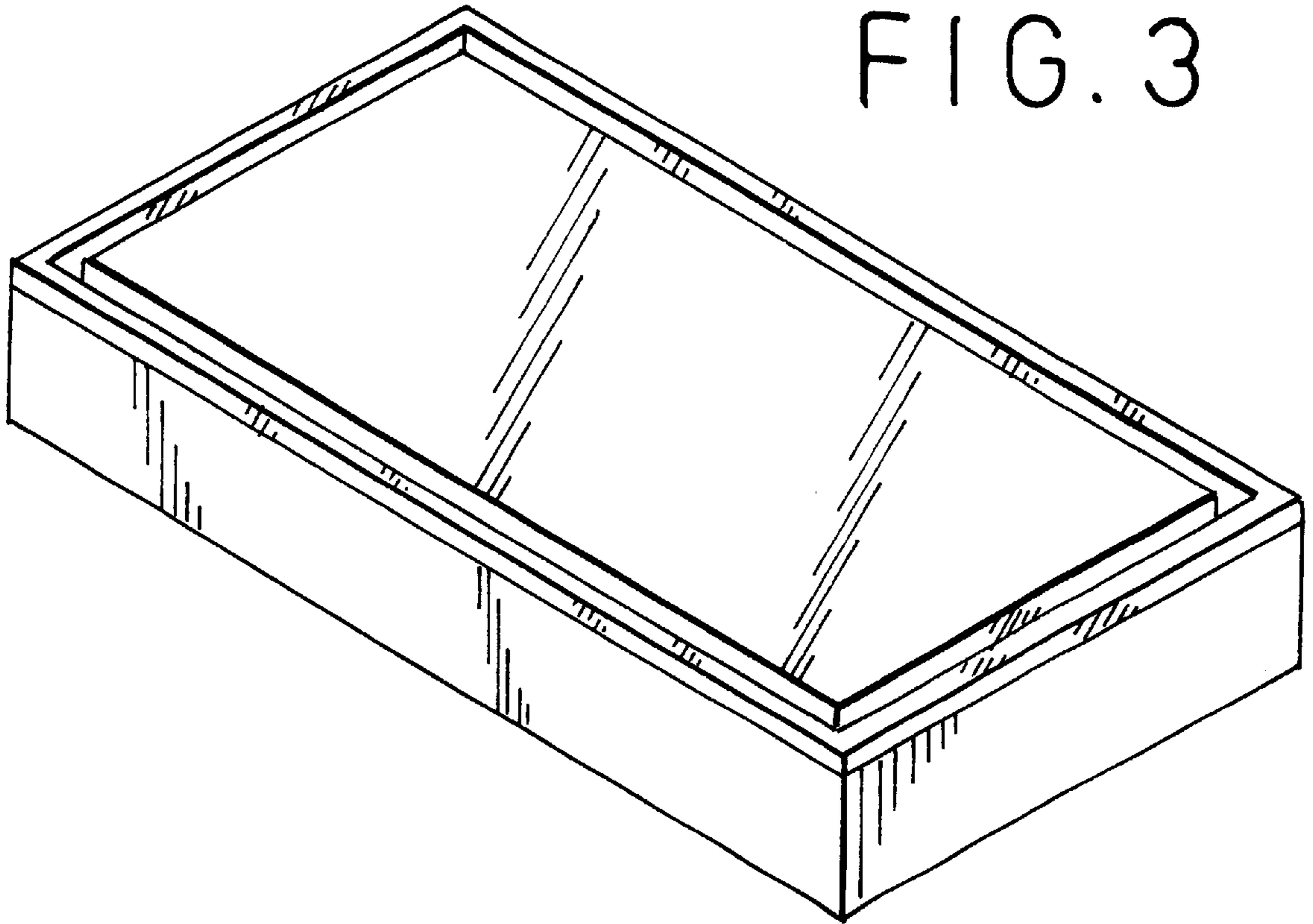


FIG. 4

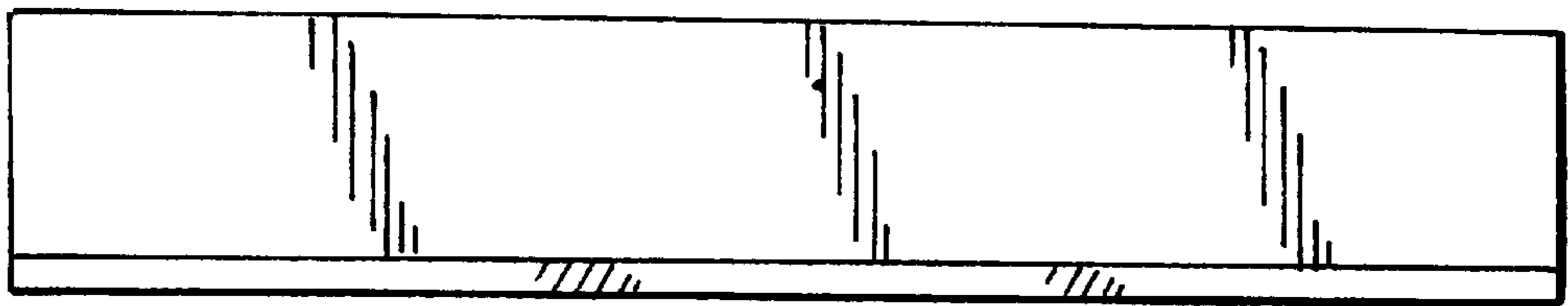


FIG. 5

