



US00D462992S

(12) **United States Design Patent**
Beno

(10) **Patent No.:** **US D462,992 S**

(45) **Date of Patent:** **** Sep. 17, 2002**

(54) **BULLETIN BOARD TRAY**

(75) **Inventor:** **Steven Beno**, Gurnee, IL (US)

(73) **Assignee:** **General Binding Corporation**, Skokie, IL (US)

(**) **Term:** **14 Years**

(21) **Appl. No.:** **29/140,144**

(22) **Filed:** **Apr. 12, 2001**

(51) **LOC (7) Cl.** **19-06**

(52) **U.S. Cl.** **D19/54; D19/52**

(58) **Field of Search** D6/300; D19/35,
D19/36, 52, 65, 75, 90, 91, 99, 100; D20/10,
39, 42; 434/408-425, 428-430; 40/1, 124.01-124.05,
603, 661, 757, 759, 780, 790, 904

(56) **References Cited**

U.S. PATENT DOCUMENTS

2,338,146	A	*	1/1944	Urbain	434/417
2,469,347	A	*	5/1949	Windhorst	434/417
D165,038	S	*	10/1951	Windhorst	D19/52
2,763,937	A	*	9/1956	Urbain	434/417
2,872,744	A	*	2/1959	Dallen	434/417
3,363,341	A	*	1/1968	Glassman	434/417
D210,946	S	*	5/1968	Cook	D19/52
D353,295	S	*	12/1994	Bodine	D19/52 X
5,397,091	A	*	3/1995	Tsuar	434/417 X
D413,146	S	*	8/1999	Moore	D19/52

* cited by examiner

Primary Examiner—Martie K. Holtje

(74) *Attorney, Agent, or Firm*—Martin Faier; Faier & Faier P.C.

(57) **CLAIM**

The ornamental design for a bulletin board tray, as shown and described.

DESCRIPTION

FIG. 1 is a perspective view front view of the bulletin board tray embodying the invention and showing the tray in the unlocked position.

FIG. 2 is a top view of the bulletin board tray embodying the invention and showing the tray in the locked position.

FIG. 3 is an enlarged left side view of the bulletin board tray embodying the invention in the locked position, the right side being a mirror image thereof.

FIG. 4 is an enlarged side view of the bulletin board tray embodying the invention in the unlocked position, the opposite side being a mirror image thereof.

FIG. 5 is a top view of the bulletin board tray embodying the invention in the locked position.

FIG. 6 is a bottom view of the bulletin board tray embodying the invention.

FIG. 7 is a front elevation view of the bulletin board tray embodying the invention; and,

FIG. 8 is a rear and upside down elevation view of the bulletin board tray embodying the invention.

1 Claim, 2 Drawing Sheets

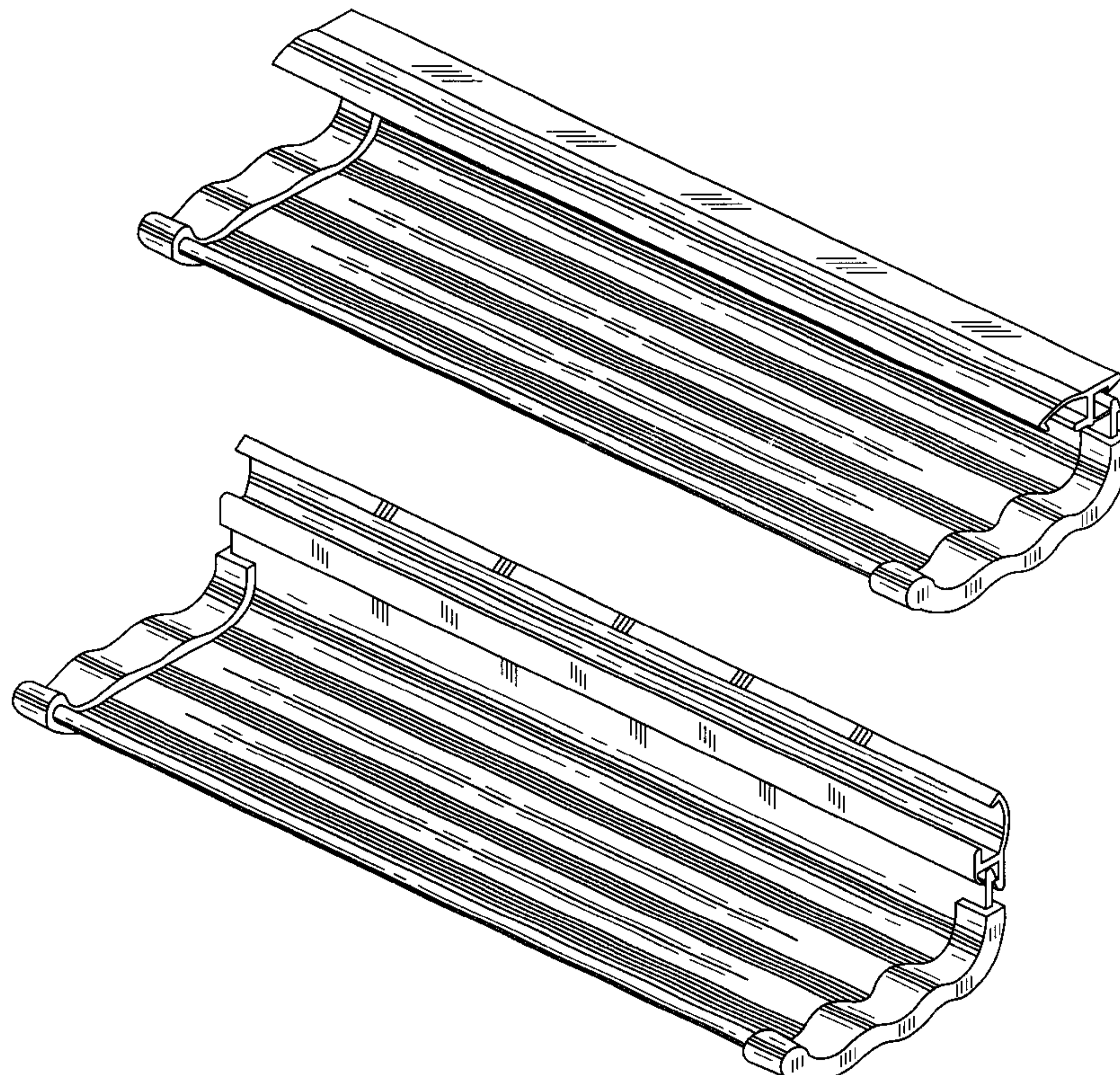


FIG. 1

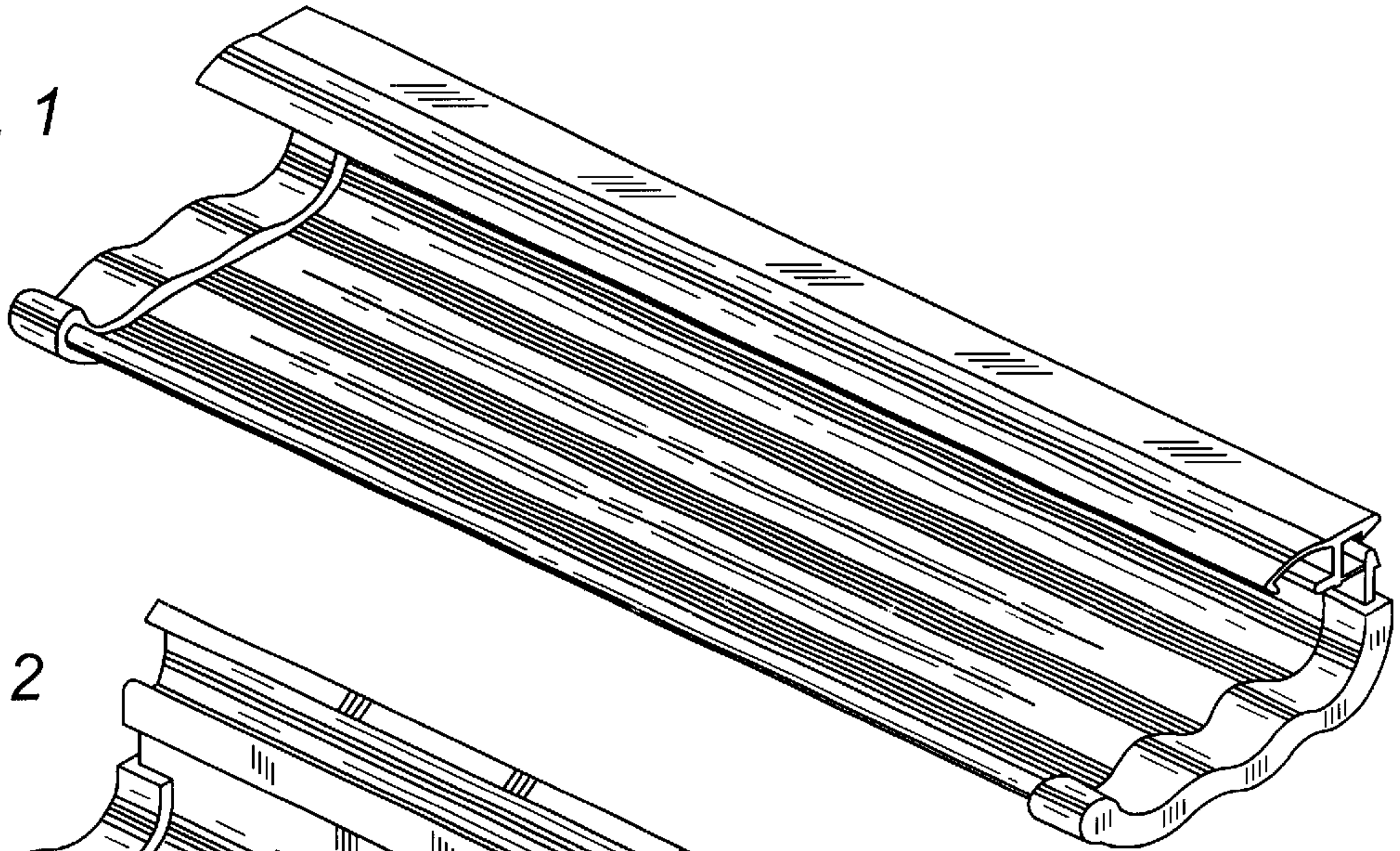


FIG. 2

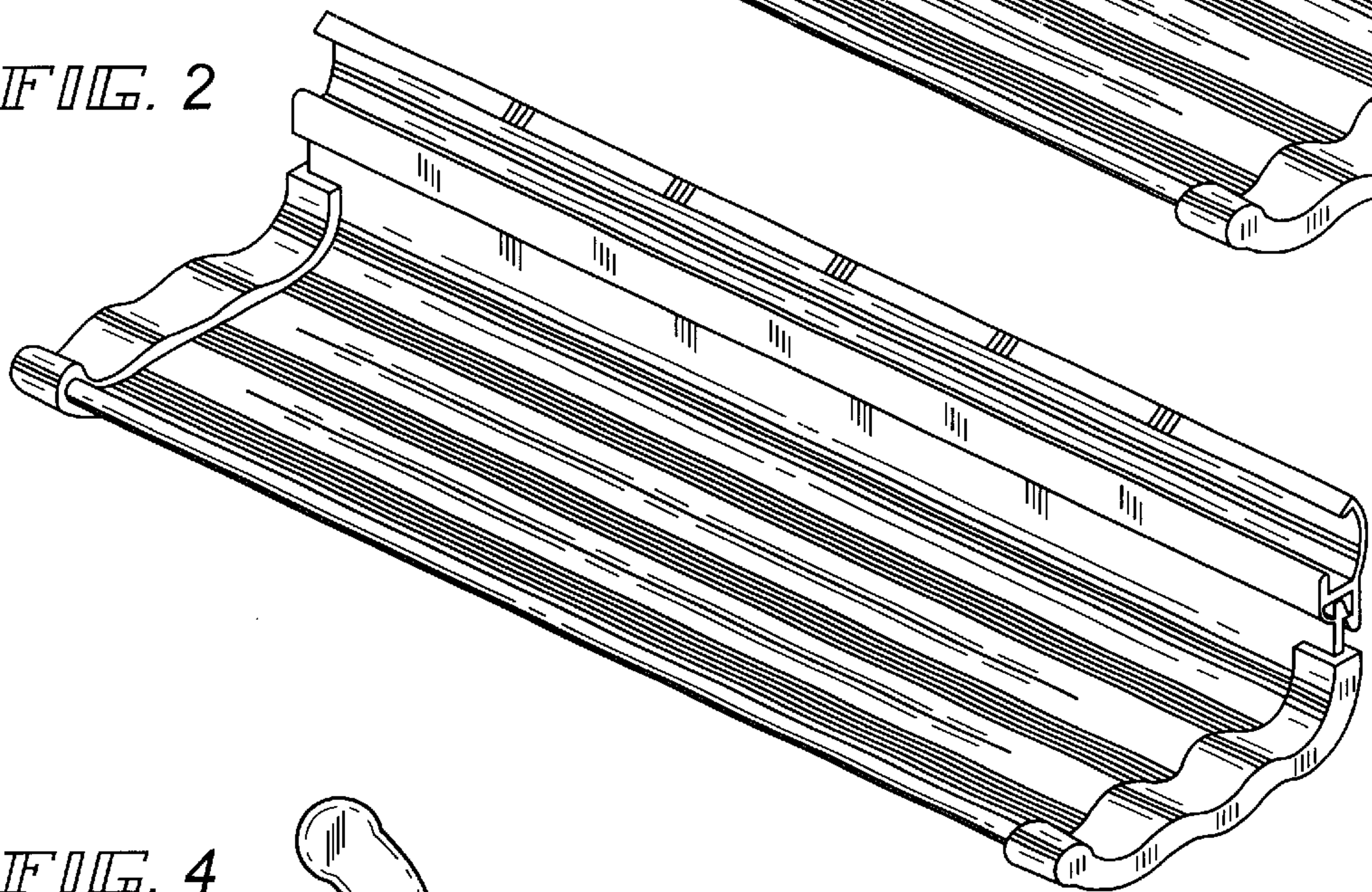


FIG. 4

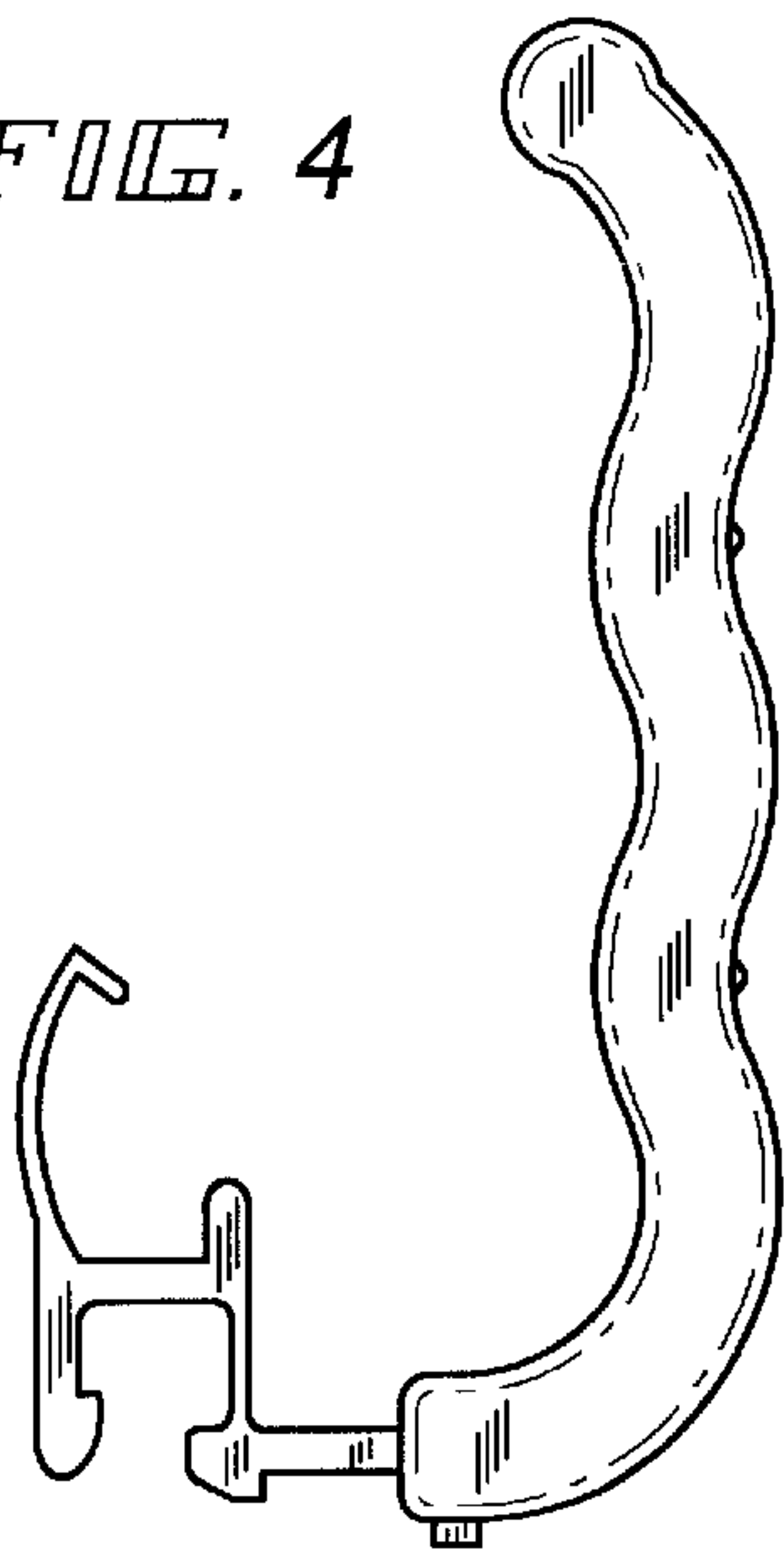
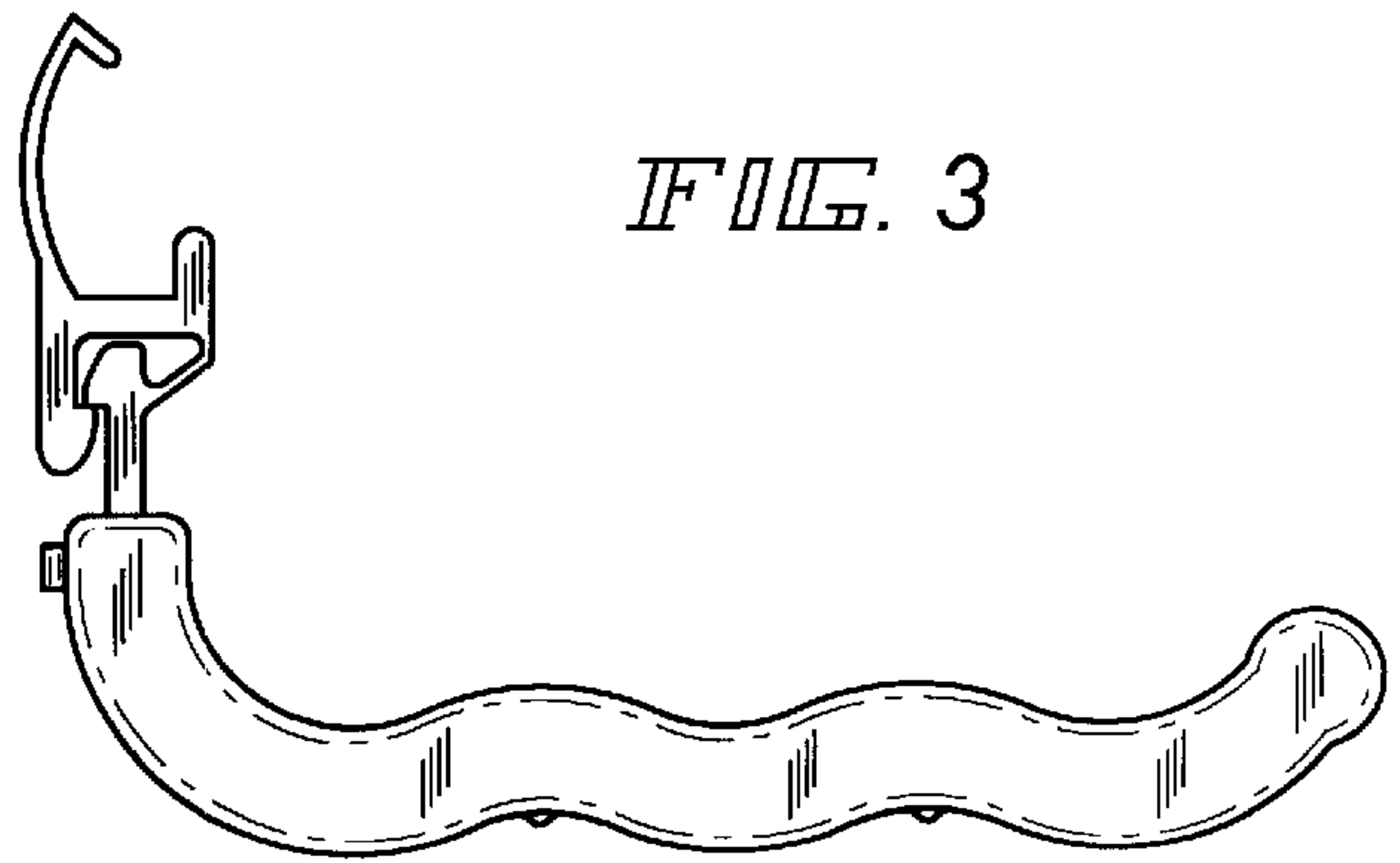


FIG. 3



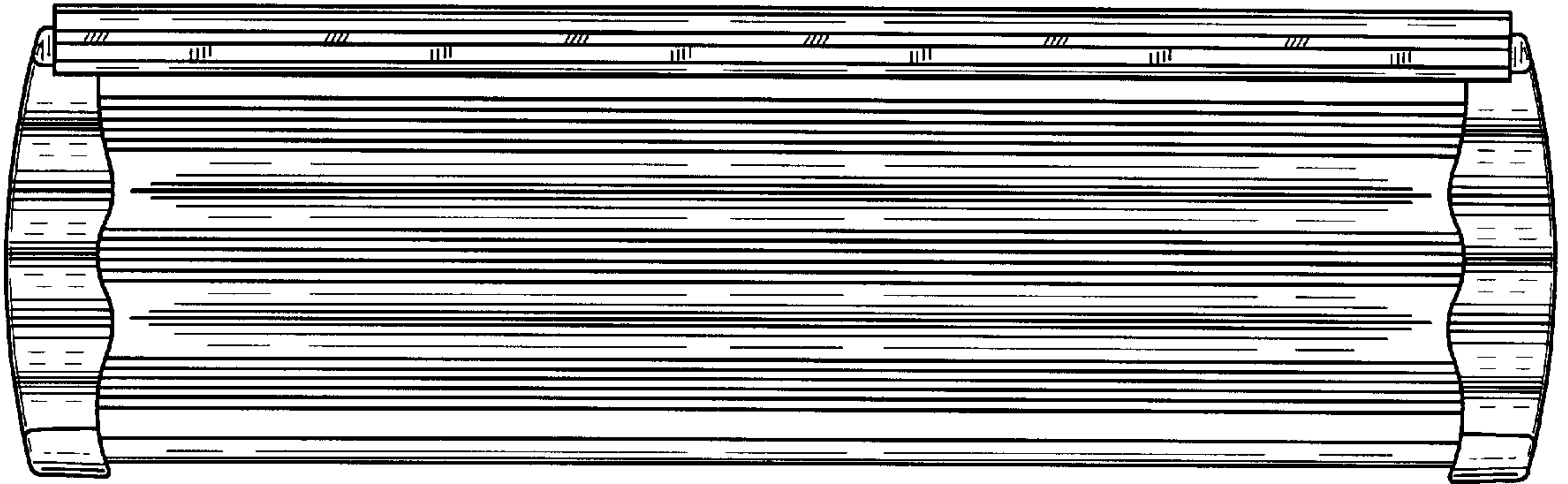


FIG. 5

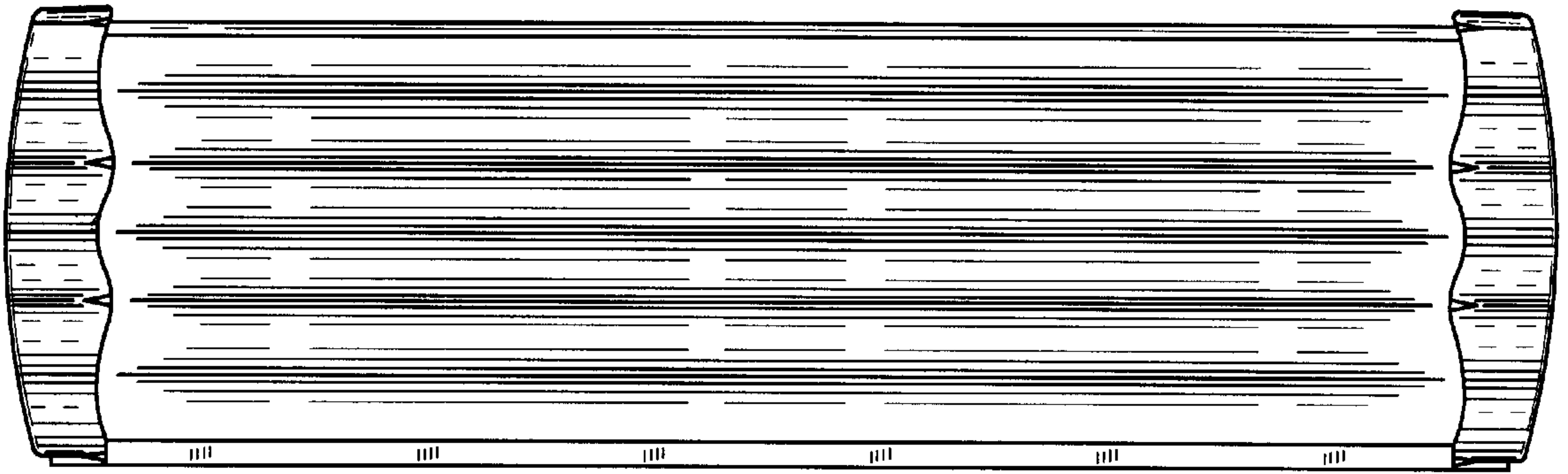


FIG. 6

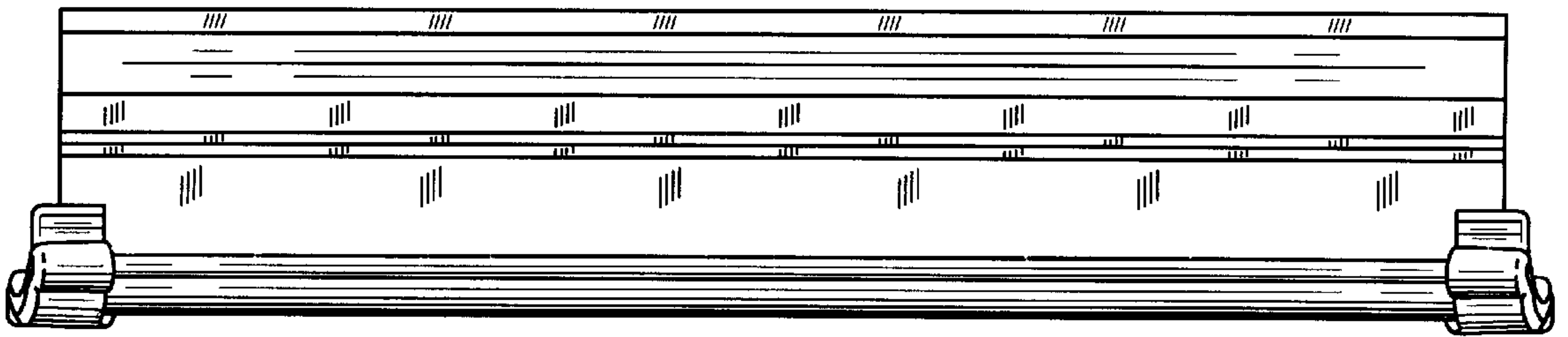


FIG. 7

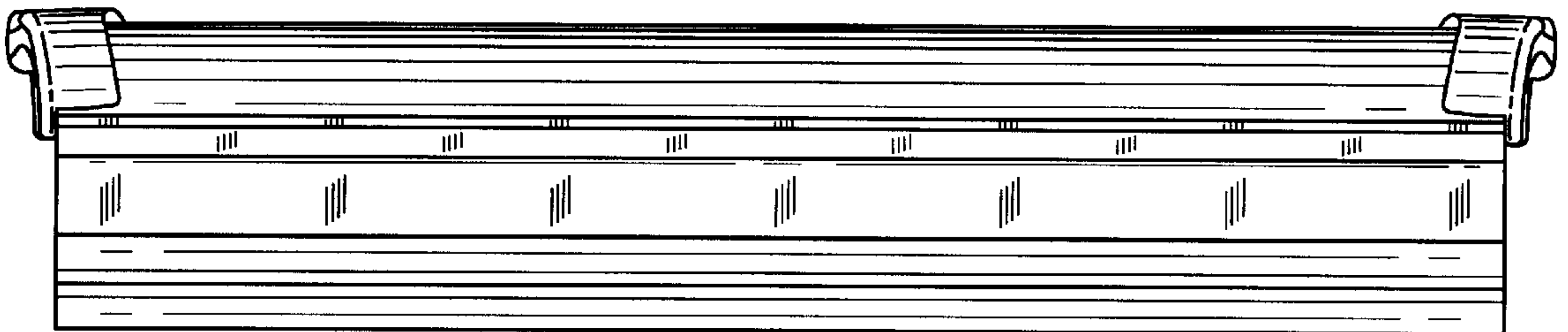


FIG. 8