



US00D462989S

(12) **United States Design Patent**
Hung

(10) **Patent No.:** **US D462,989 S**

(45) **Date of Patent:** **** Sep. 17, 2002**

(54) **ONE END TWIN HEADS MARKER**

(75) Inventor: **Peter M. H. Hung**, Kowloon (HK)

(73) Assignee: **Fulon Development Limited**, Kowloon (HK)

(**) Term: **14 Years**

(21) Appl. No.: **29/150,290**

(22) Filed: **Nov. 20, 2001**

(51) **LOC (7) Cl.** **19-06**

(52) **U.S. Cl.** **D19/43; D19/55; D19/56; D19/57**

(58) **Field of Search** D19/35, 36, 41-51, D19/53-58, 81-85; 401/98, 196, 202, 213, 243-247, 261, 262, 31, 35, 47

(56) **References Cited**

U.S. PATENT DOCUMENTS

3,107,654	A	*	10/1963	Fehrenbach	401/31
D321,009	S	*	10/1991	Yubisui	D19/48
5,306,092	A	*	4/1994	Jenq	401/47
5,368,405	A	*	11/1994	Sixiong	401/35
D355,442	S	*	2/1995	Chuang	D19/53
D366,279	S	*	1/1996	Voorhees	D19/36
D372,271	S	*	7/1996	Dworman et al.	D19/51

D378,761	S	*	4/1997	Sekine	D19/48
D412,532	S	*	8/1999	Chuang	D19/36
D416,940	S	*	11/1999	Ito	D19/48
D422,023	S	*	3/2000	Tedaldi et al.	D19/43
D442,636	S	*	5/2001	Kobayashi	D19/43
D447,173	S	*	8/2001	Yoon	D19/43

* cited by examiner

Primary Examiner—Martie K. Holtje

(74) *Attorney, Agent, or Firm*—Rabin & Berdo, P.C.

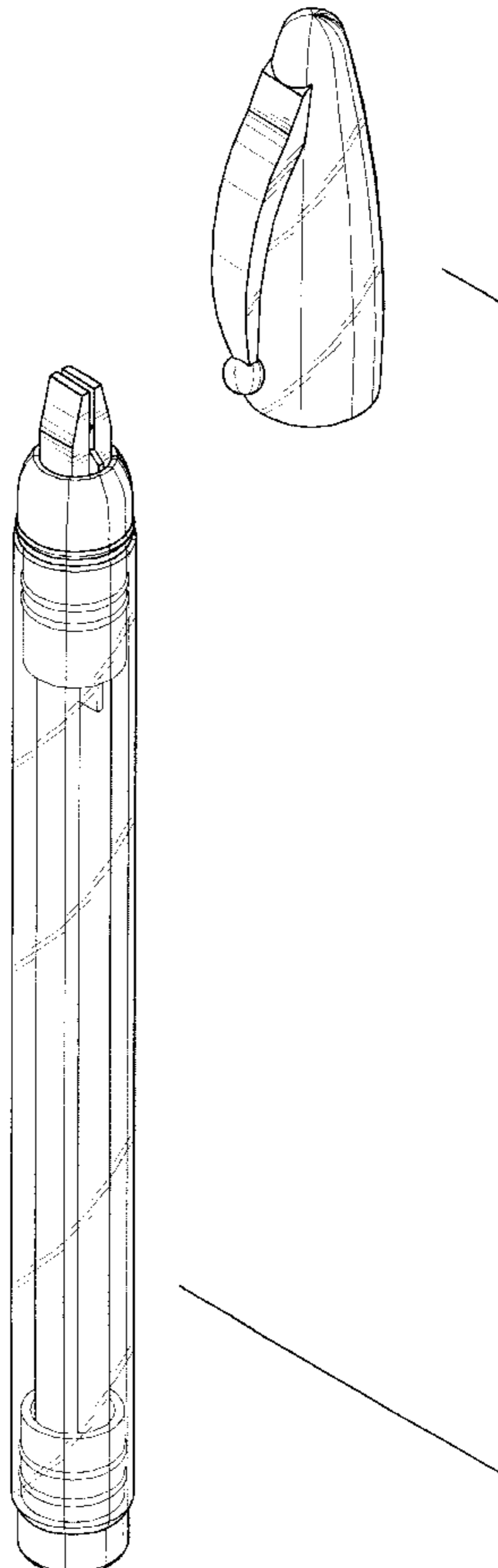
(57) **CLAIM**

The ornamental design for a one end twin heads marker, as shown and described.

DESCRIPTION

FIG. 1 is a front perspective view of a one end twin heads marker showing my new design in an exploded condition; FIG. 2 is a front perspective view with the cap member in place; FIG. 3 is a right side elevational view of FIG. 1; FIG. 4 is a front elevational view of FIG. 1; FIG. 5 is a rear elevational view of FIG. 1; FIG. 6 is a left side elevational view of FIG. 1; FIG. 7 is a top plan view of FIG. 1; and, FIG. 8 is a bottom plan view of FIG. 1.

1 Claim, 7 Drawing Sheets



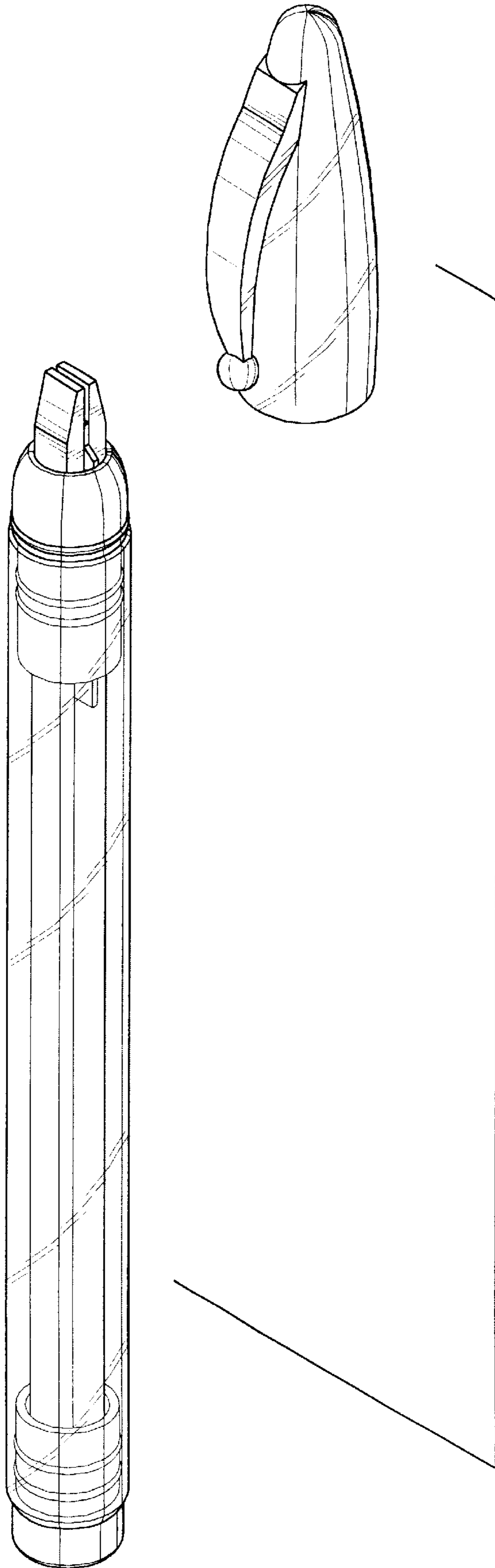


FIG. 1

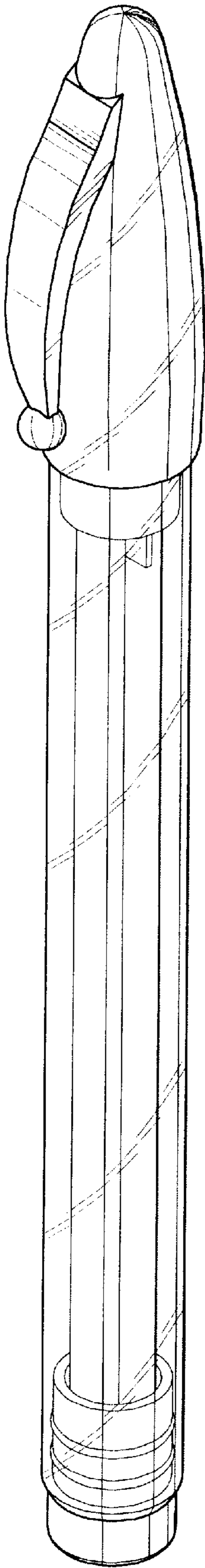


FIG. 2

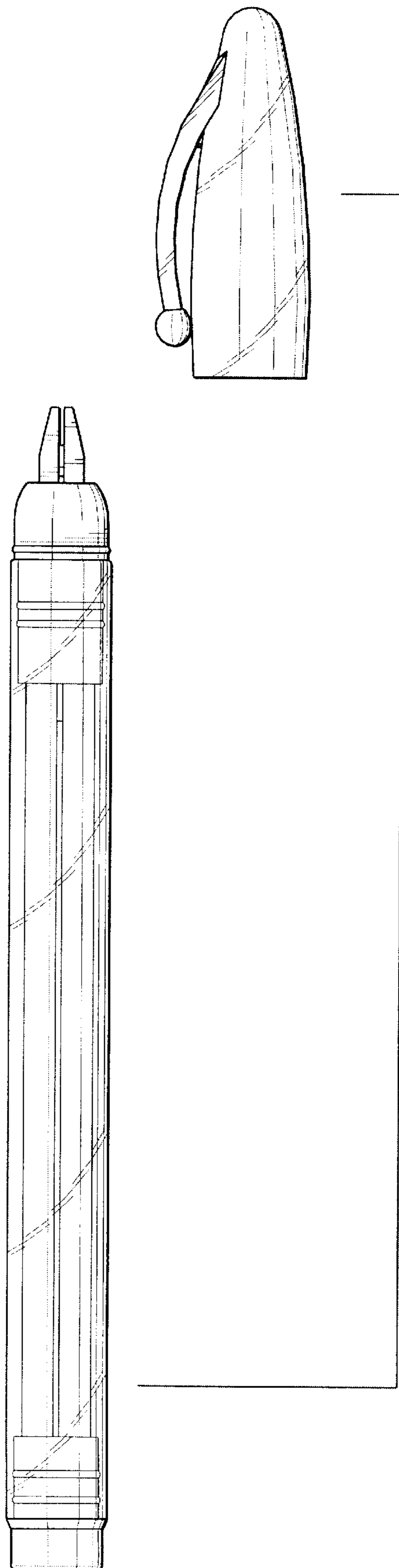


FIG. 3

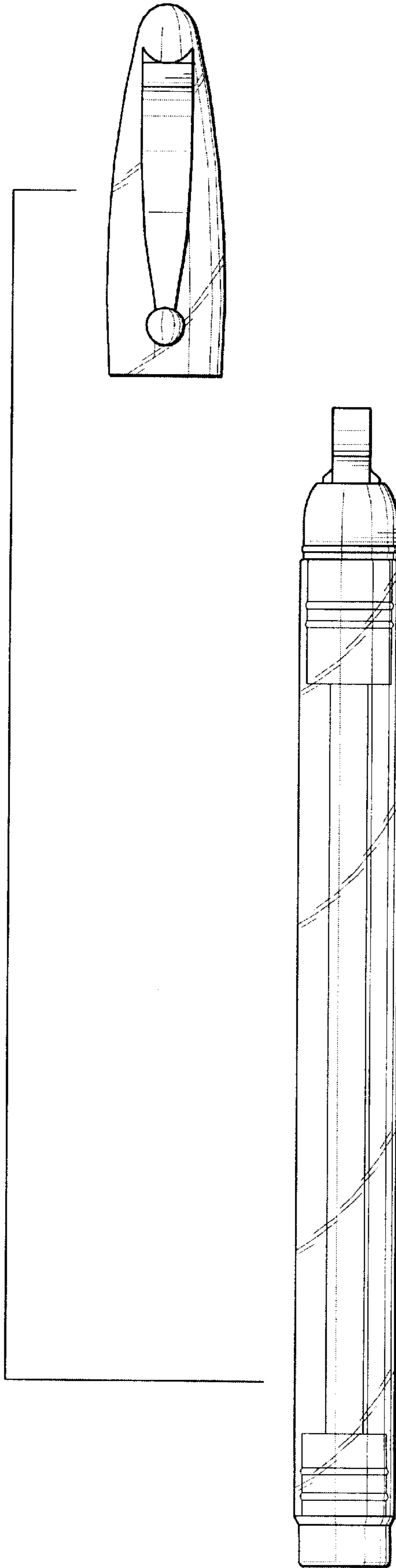


FIG. 4

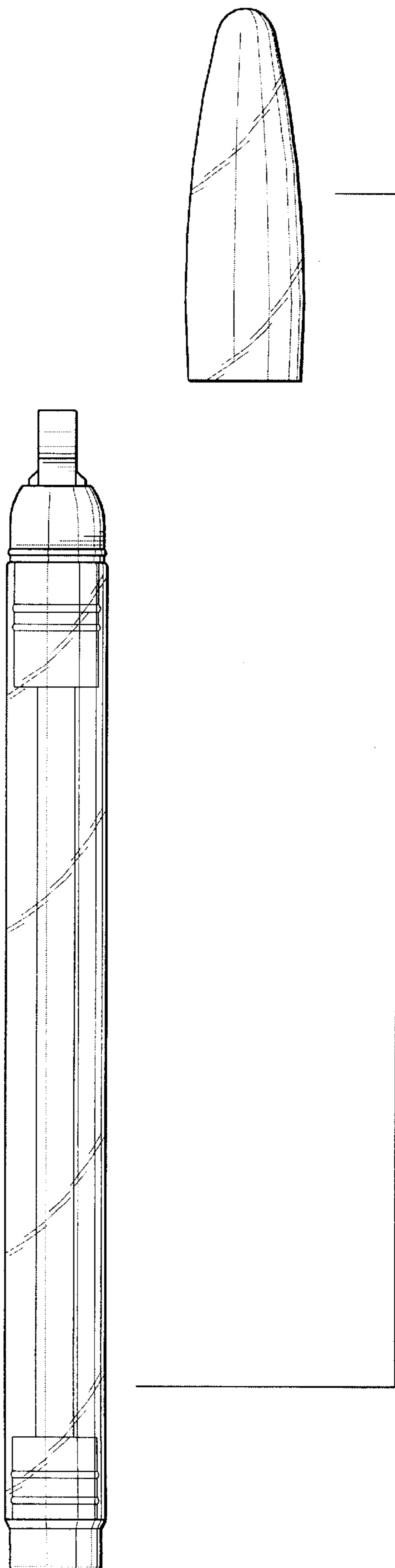


FIG. 5

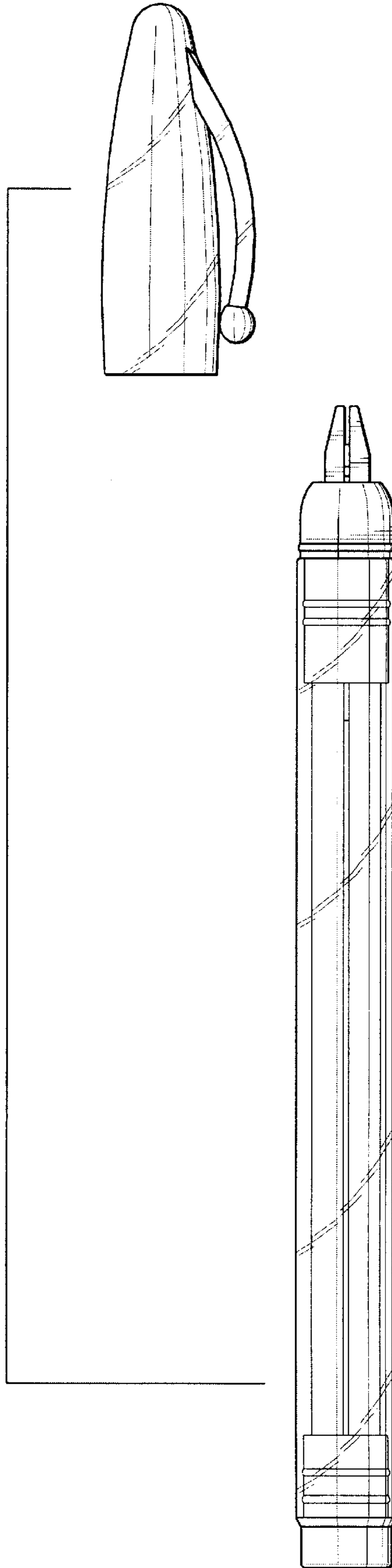


FIG. 6

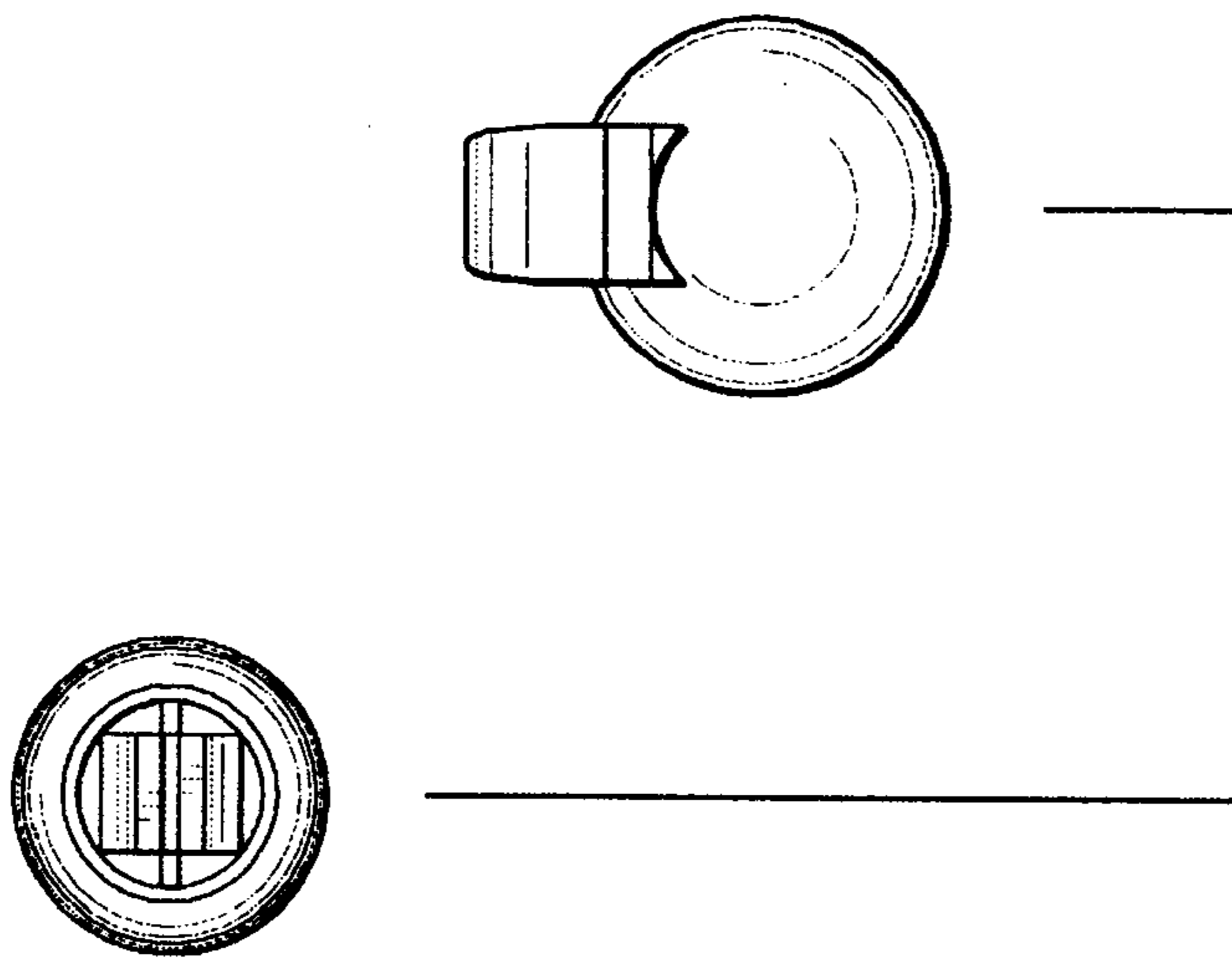


FIG. 7

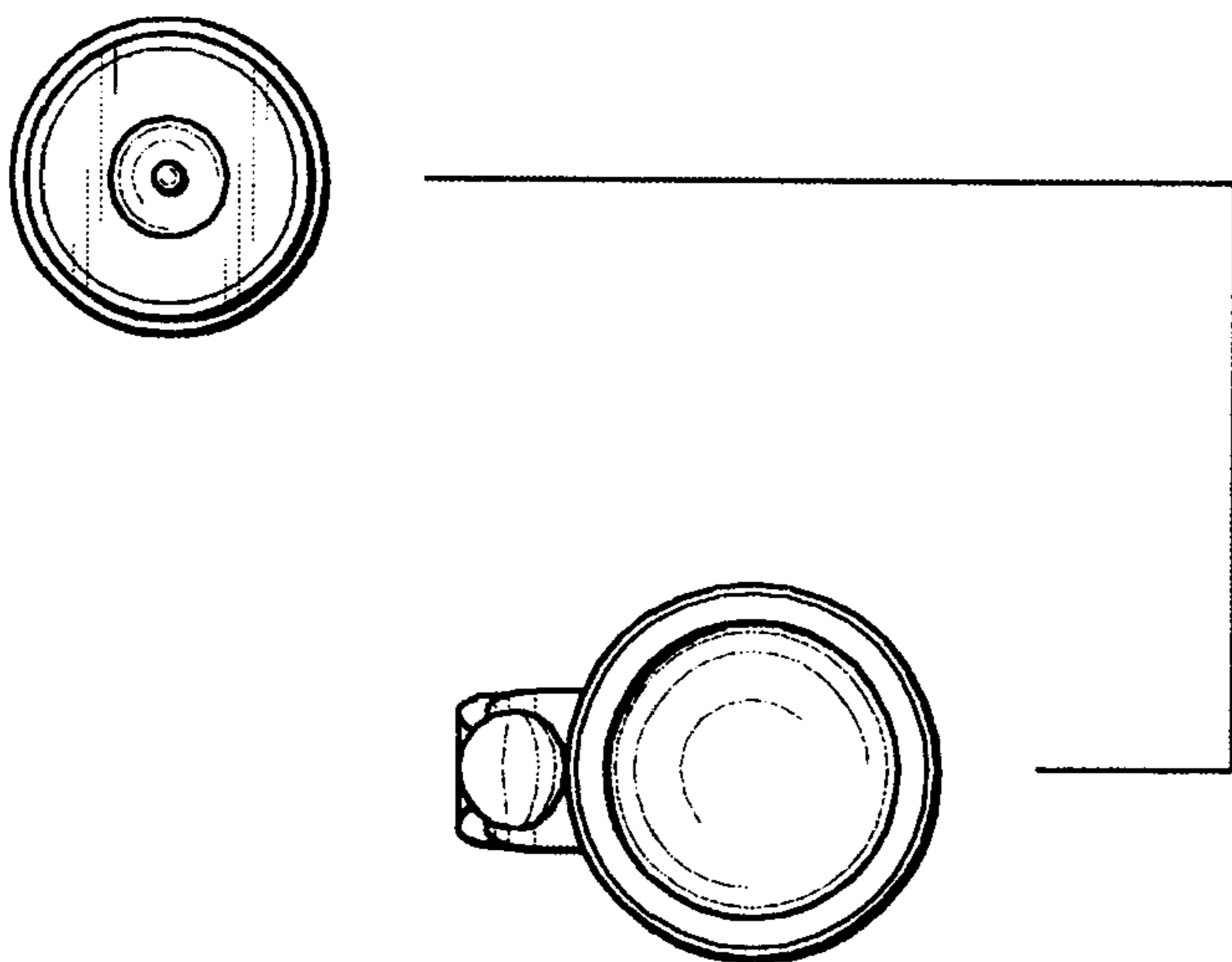


FIG. 8